



US00D893448S

(12) **United States Design Patent**  
**Wall et al.**

(10) **Patent No.:** **US D893,448 S**  
(45) **Date of Patent:** **\*\* Aug. 18, 2020**

- (54) **RADIO RECEIVER**
- (71) Applicant: **Live Sports Radio LLC**, Rochester Hills, MI (US)
- (72) Inventors: **Alexander Wall**, West End (AU); **Mitchell Dunn**, West End (AU); **Reid Price**, West End (AU); **Daniel Reid**, West End (AU); **Jared Gilsean**, West End (AU)
- (73) Assignee: **Live Sports Radio LLC**, Rochester Hills, MI (US)

(\*\*) Term: **15 Years**

(21) Appl. No.: **29/723,577**

(22) Filed: **Feb. 7, 2020**

(51) **LOC (12) Cl.** ..... **14-03**

(52) **U.S. Cl.**  
USPC ..... **D14/192**; D14/205; D14/223

(58) **Field of Classification Search**  
USPC ..... D14/147, 192, 205, 206, 223, 226, 229, D14/240, 249, 344, 372, 162, 169, 175, D14/179, 197, 198, 217, 357, 265, 299  
CPC ..... B60R 11/0217; G06F 1/1688; G10K 9/22; G10K 11/004; H03F 1/327; H04M 1/03; H04M 1/035; H04N 5/642; H04N 21/4852; H04R 1/02; H04R 1/06; H04R 1/021; H04R 1/025; H04R 1/026; H04R 1/028; H04R 1/105; H04R 1/323; H04R 1/403; H04R 1/2803; H04R 1/2834; H04R 5/02; H04R 7/20; H04R 9/06; H04R 9/025; H04R 2201/021; H04R 2400/00; H04R 2201/07; H04R 2499/11; H04R 2499/13; H04R 2499/15; H04R 1/1008; H04R 1/1016; H04S 3/00; H04S 7/30

See application file for complete search history.

(56) **References Cited**

**U.S. PATENT DOCUMENTS**

D174,053 S 2/1955 Norris  
D179,151 S 11/1956 Norris

D284,859 S 7/1986 Okada  
4,649,570 A 3/1987 Terbrack et al.  
D293,107 S 12/1987 Muller  
4,727,599 A 2/1988 Rappaport et al.  
D319,830 S 9/1991 Miyai  
D321,881 S 11/1991 Hopewell  
D326,653 S 6/1992 Hino  
5,146,619 A 9/1992 Brown  
D419,564 S \* 1/2000 McDonald ..... D14/223  
D456,384 S 4/2002 Ng  
D457,154 S 5/2002 Ng  
D477,822 S \* 7/2003 Komiyama ..... D14/223

(Continued)

**OTHER PUBLICATIONS**

Notice of Allowance and Fee(s) Due dated Jun. 26, 2020 pertaining to U.S. Appl. No. 29/723,574, filed Feb. 7, 2020, 11 pgs.

*Primary Examiner* — Keli L Hill

(74) *Attorney, Agent, or Firm* — Dinsmore & Shohl LLP

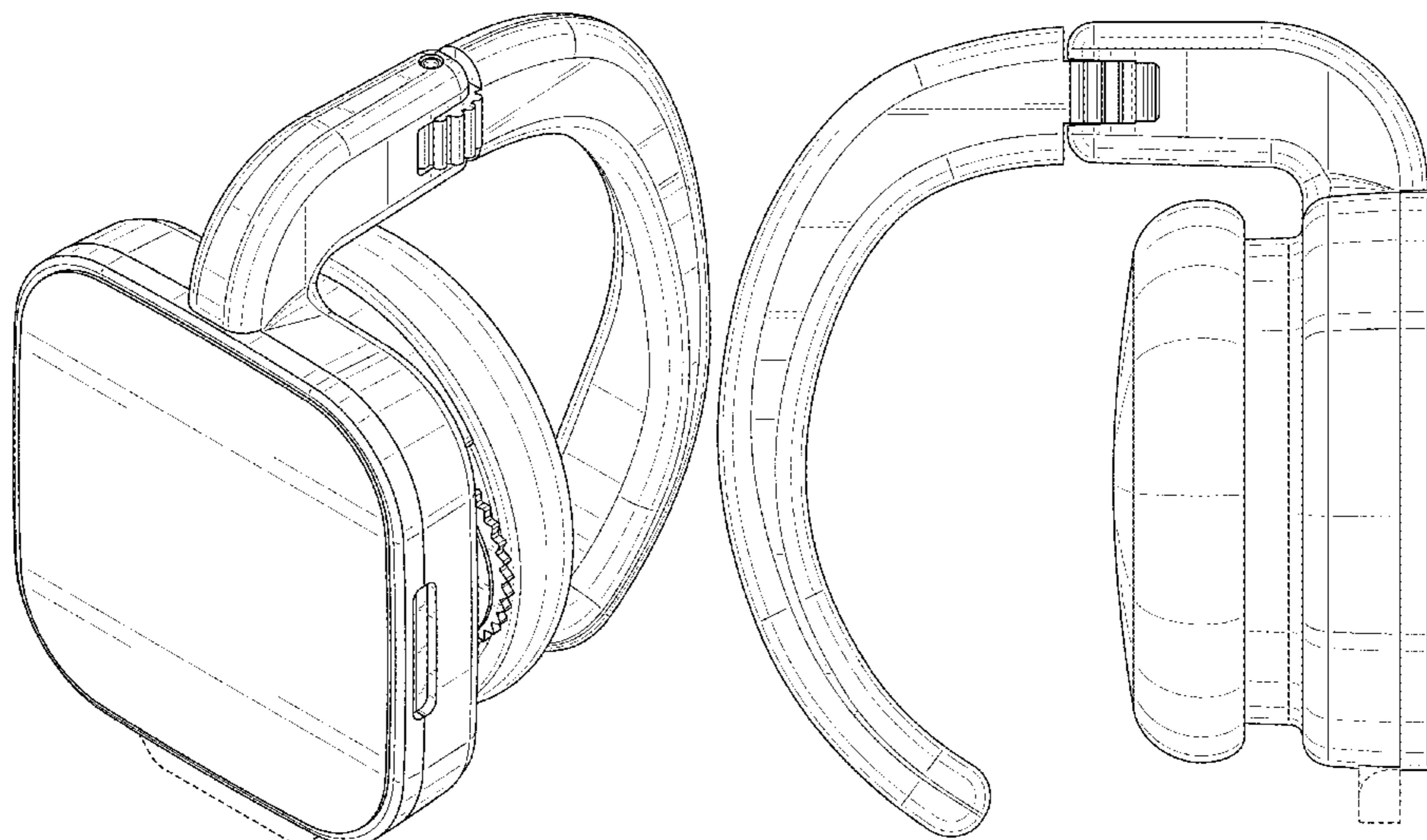
(57) **CLAIM**

The ornamental design for a radio receiver, as shown and described.

**DESCRIPTION**

FIG. 1 is a top front and side perspective view of an embodiment of a radio receiver;  
FIG. 2 is a front elevation view of the radio receiver;  
FIG. 3 is a back elevation view of the radio receiver;  
FIG. 4 is a side elevation view of the radio receiver;  
FIG. 5 is an opposite side elevation view of the radio receiver;  
FIG. 6 is a top plan view of the radio receiver; and,  
FIG. 7 is a bottom plan view of the radio receiver.  
The broken lines depict portions of the radio receiver that form no part of the claimed design.

**1 Claim, 7 Drawing Sheets**



(56)

**References Cited**

## U.S. PATENT DOCUMENTS

D478,573	S	*	8/2003	Wrisley .....	D14/223
6,658,687	B1		12/2003	McDonald	
D516,054	S		2/2006	Chang	
D516,540	S		3/2006	Beauchemin et al.	
D539,787	S	*	4/2007	Kim .....	D14/223
D542,303	S		5/2007	Cheng	
D545,813	S		7/2007	Ma	
D560,652	S		1/2008	Opperman	
D566,103	S	*	4/2008	Sade .....	D14/223
D584,283	S	*	1/2009	Soetejo .....	D14/205
D588,113	S	*	3/2009	Bradford .....	D14/223
D594,443	S	*	6/2009	Lee .....	D14/223
D609,701	S		2/2010	Hou	
7,937,127	B1		5/2011	Satoh et al.	
D705,748	S		5/2014	He	
D752,020	S	*	3/2016	Petersen .....	D14/205
D772,873	S		11/2016	Kowal et al.	
D813,909	S		3/2018	Lacy-Nichols	
D816,051	S	*	4/2018	Robbins .....	D14/137
D820,240	S	*	6/2018	Holliday .....	D14/223
D853,994	S	*	7/2019	Lin .....	D14/223
D873,232	S		1/2020	Zeng	

\* cited by examiner

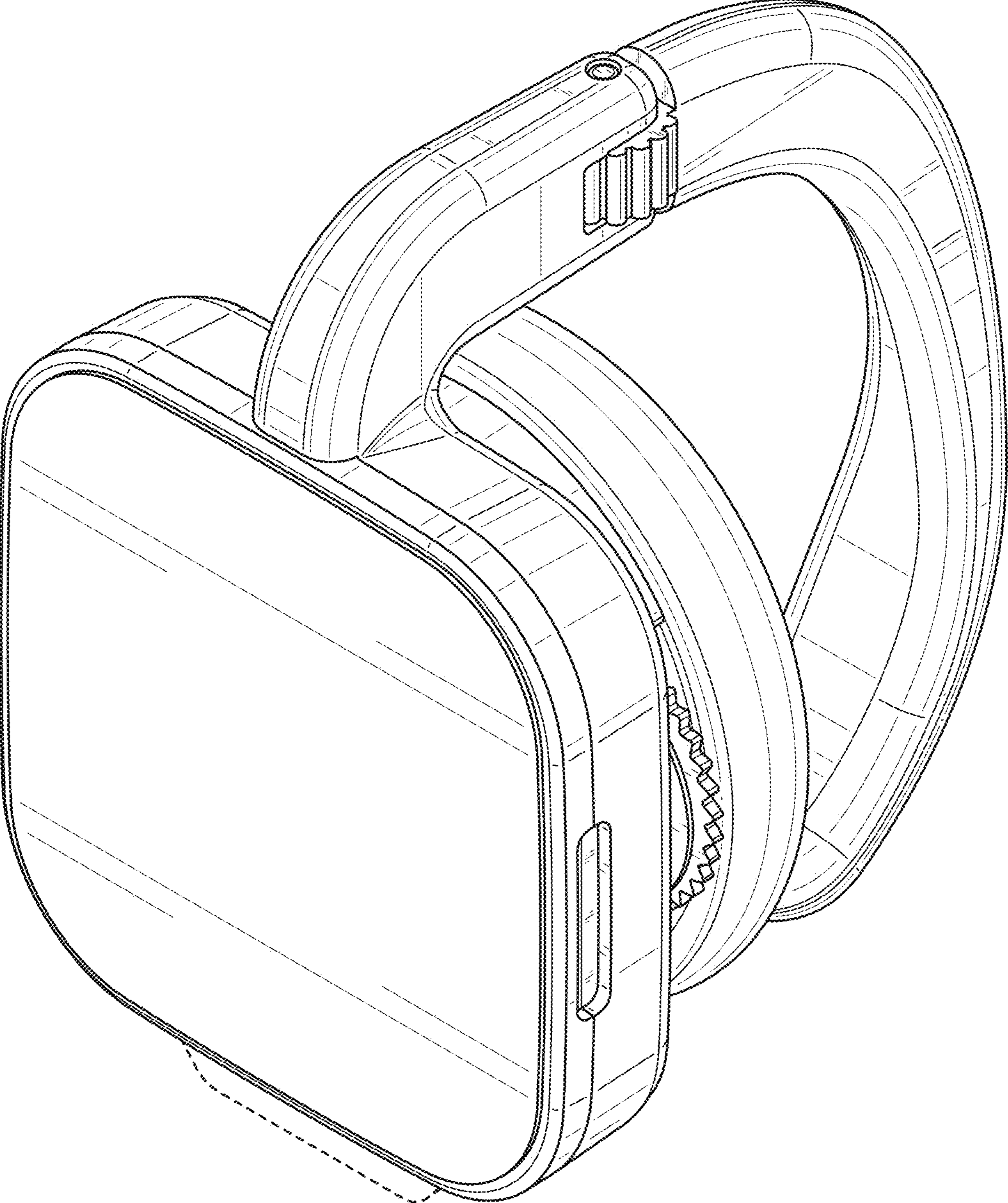


FIG. 1

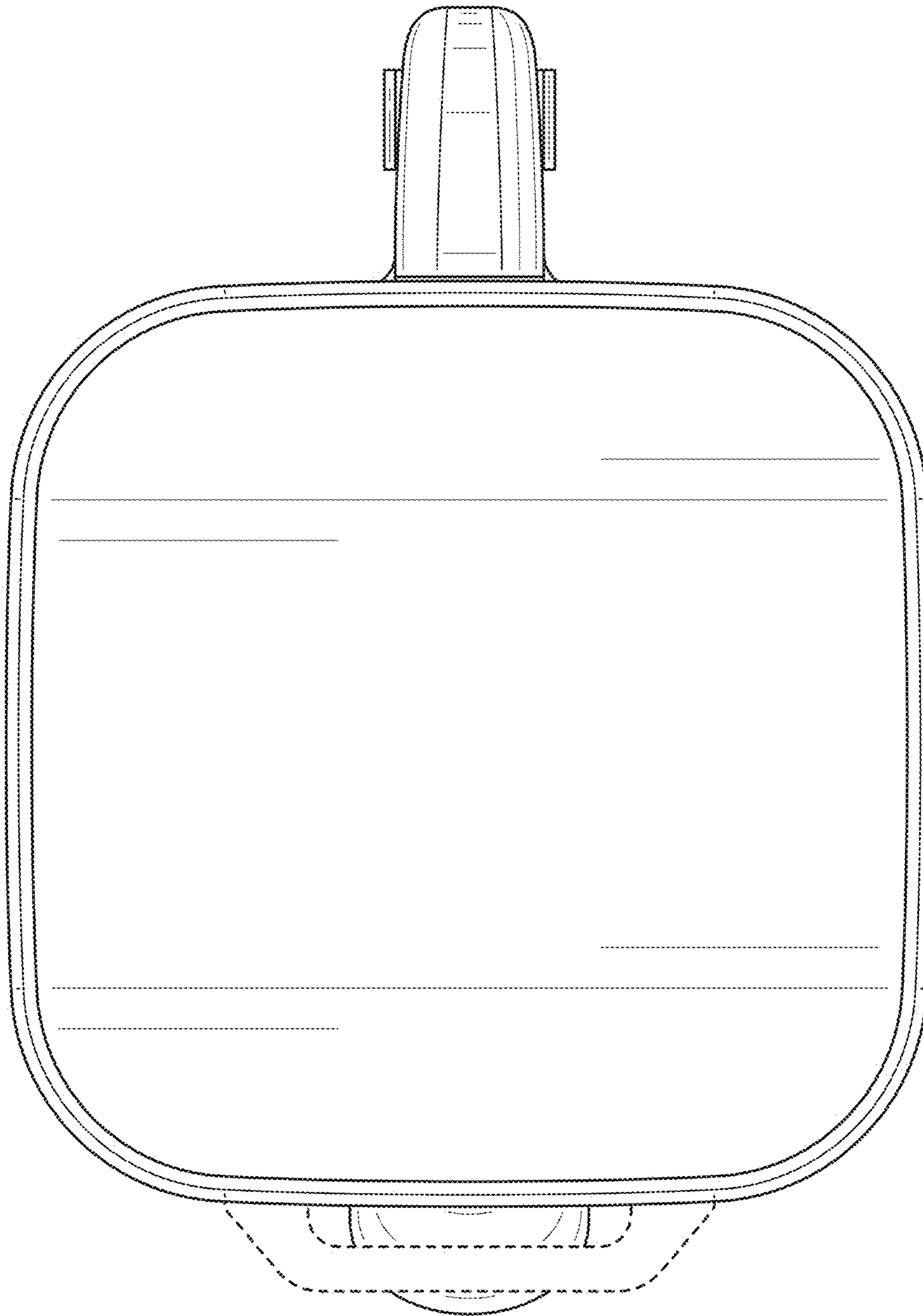


FIG. 2

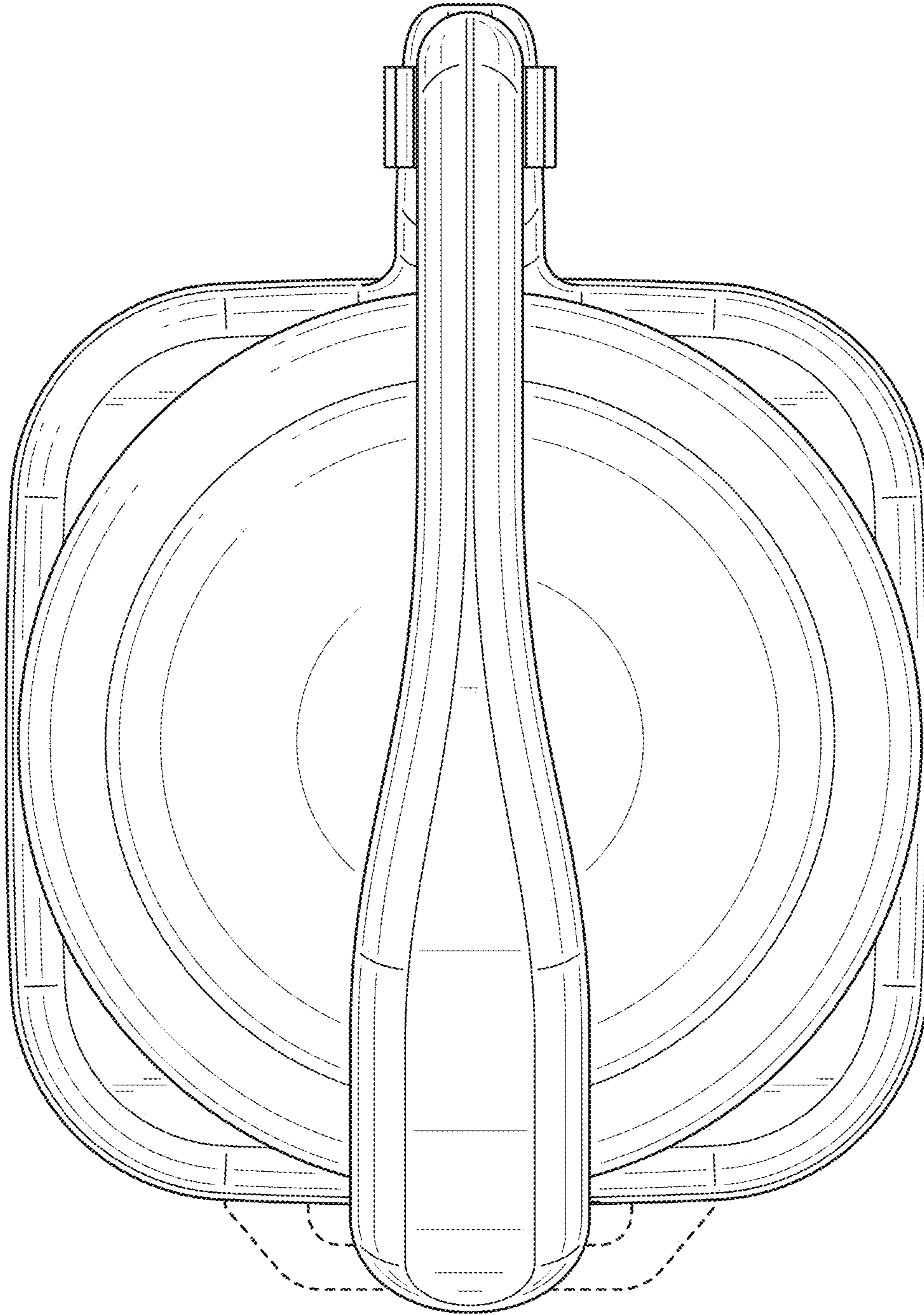


FIG. 3

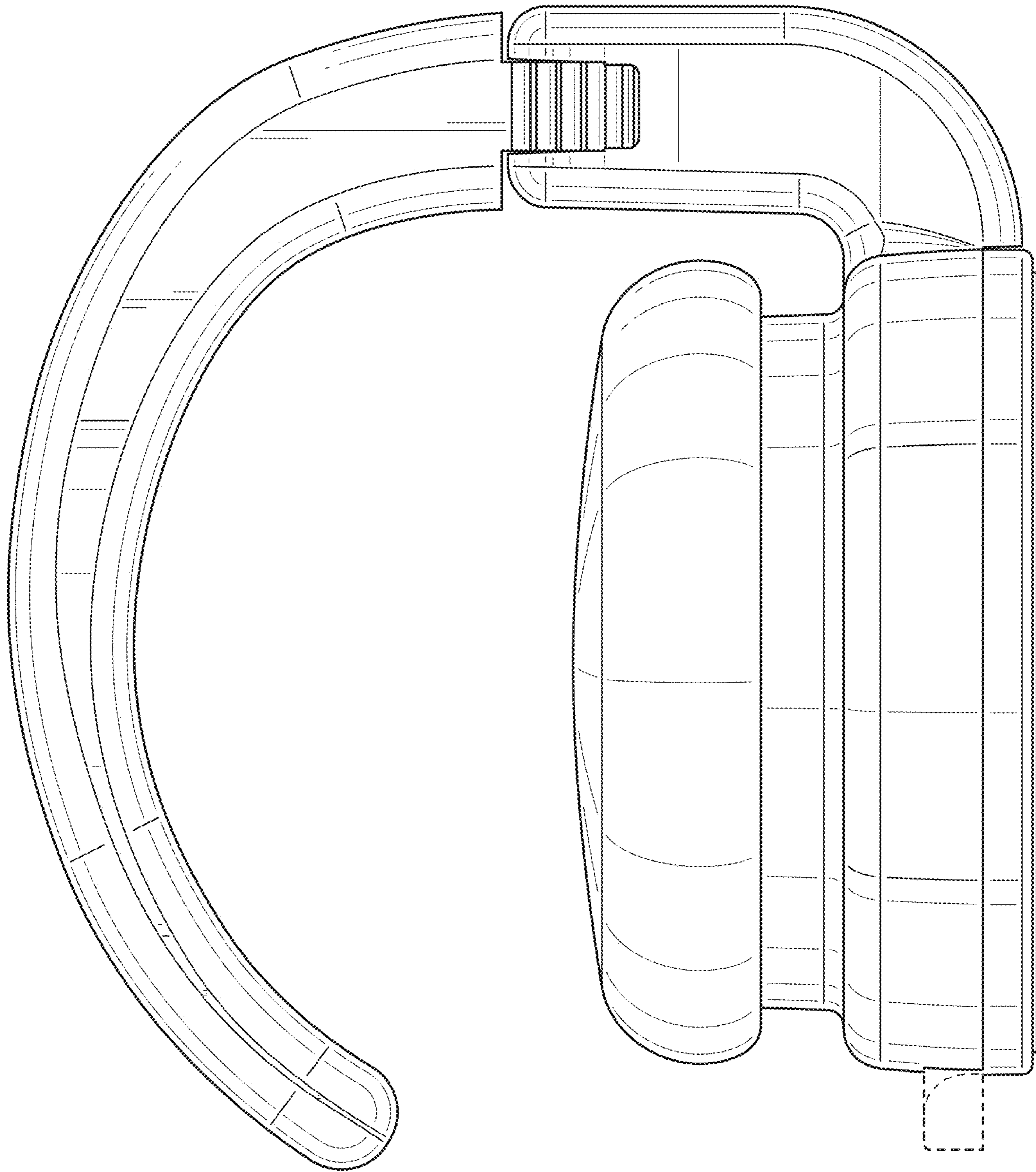


FIG. 4

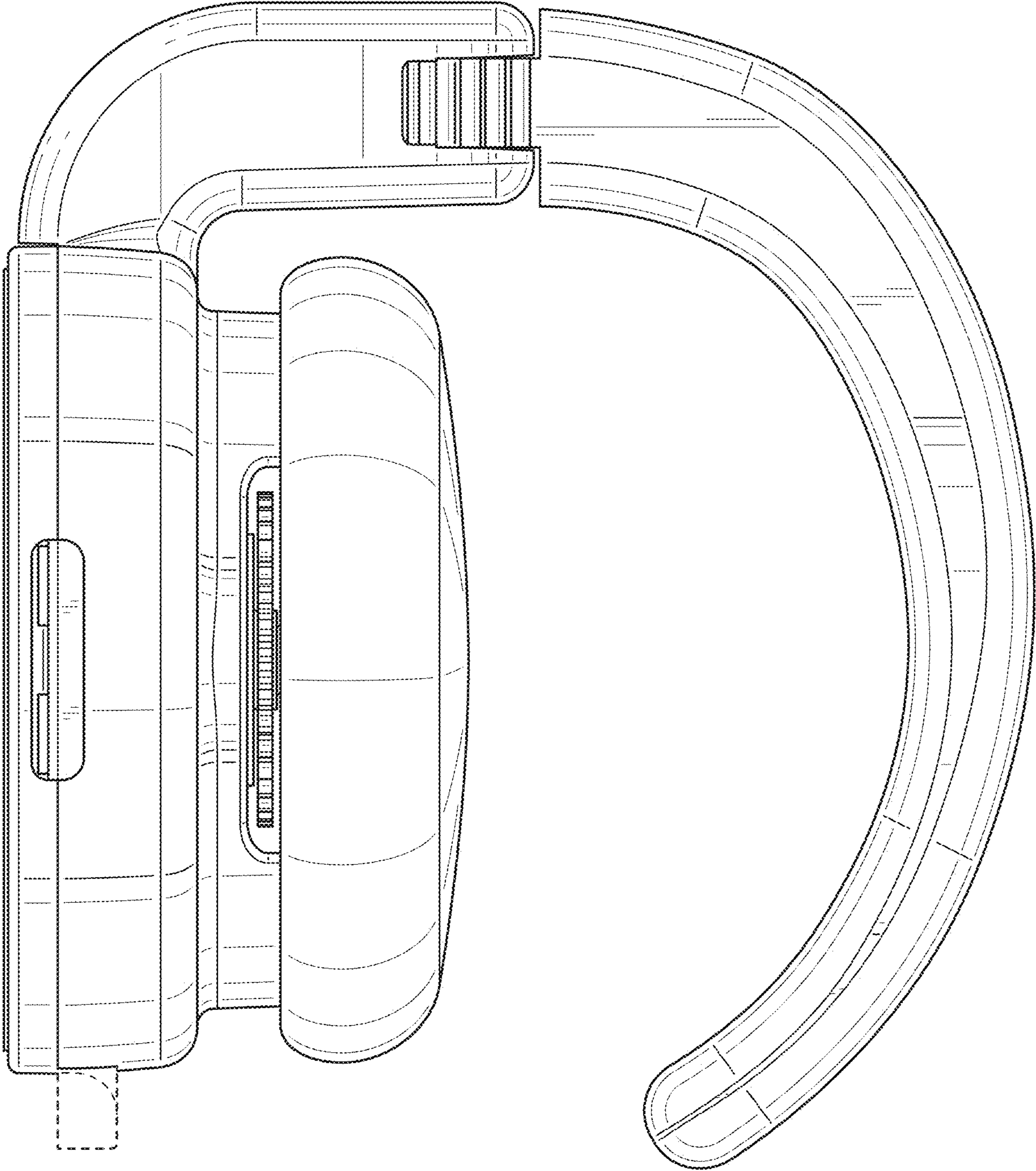


FIG. 5

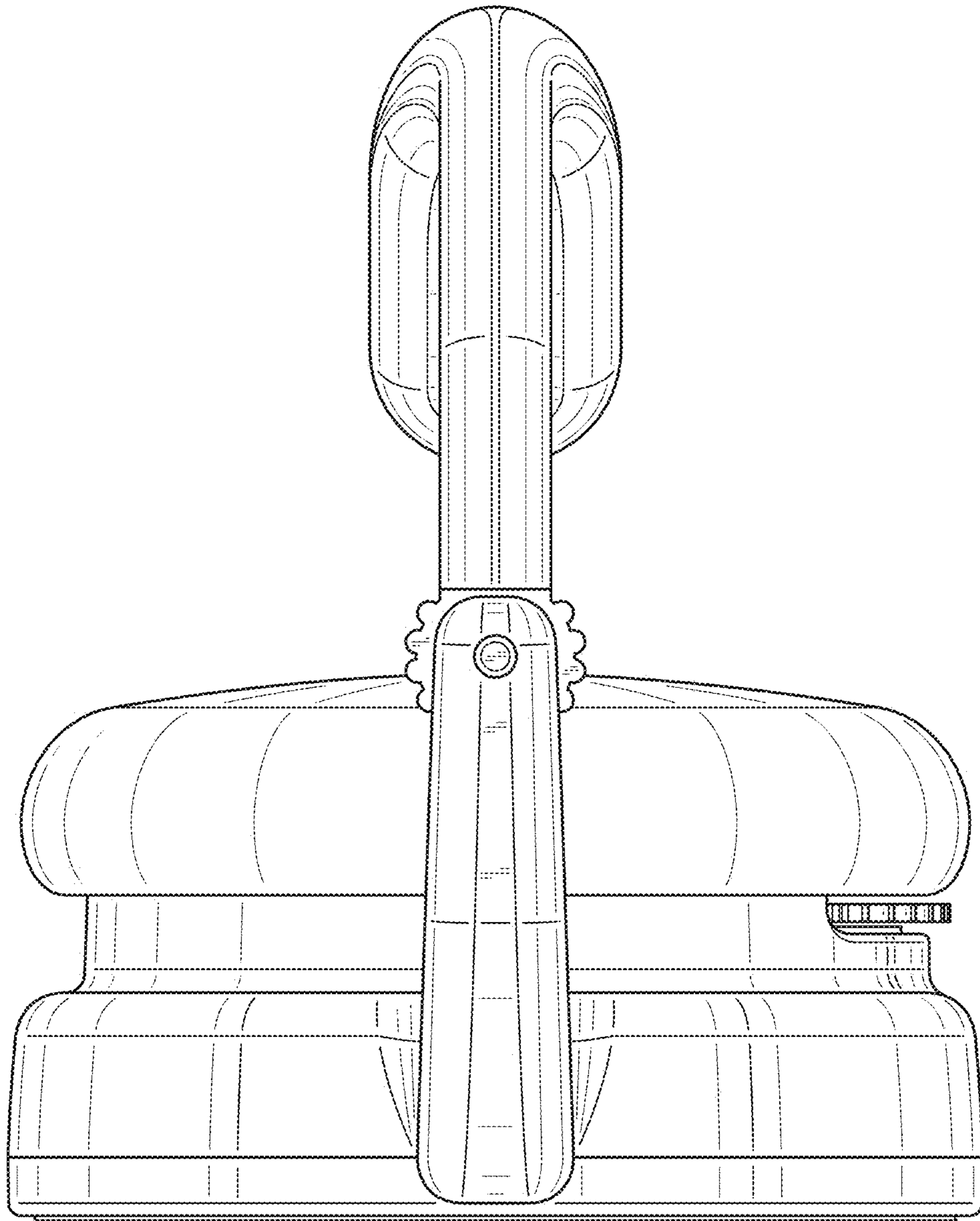


FIG. 6



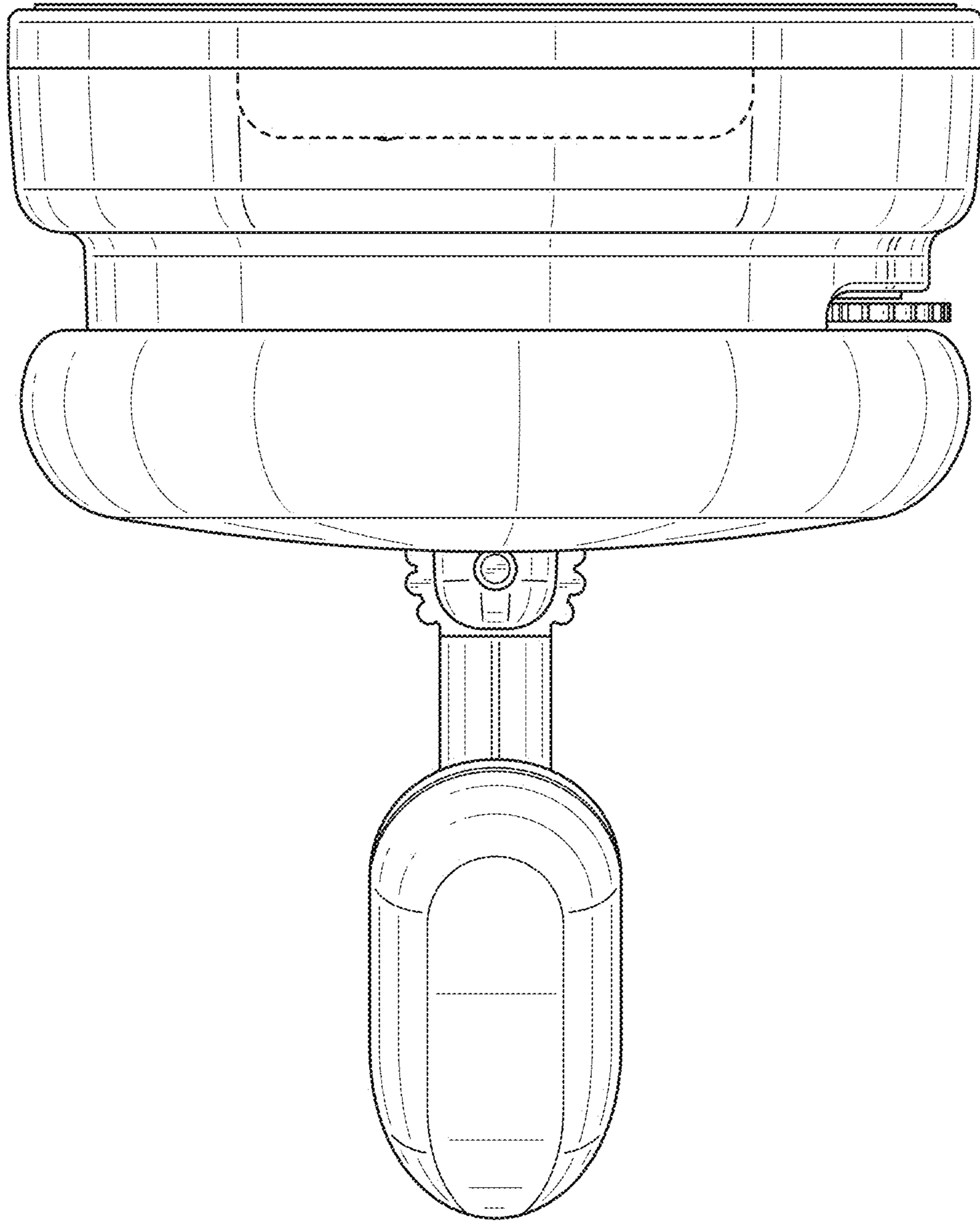


FIG. 7