



US00D893447S

(12) **United States Design Patent**
Smith et al.

(10) **Patent No.:** **US D893,447 S**

(45) **Date of Patent:** **** Aug. 18, 2020**

(54) **WIRELESS BODYPACK**

(71) Applicant: **Shure Acquisition Holdings, Inc.**,
Niles, IL (US)

(72) Inventors: **Dustin Jonathan Smith**, Chicago, IL
(US); **John Matthew Miller**,
Grayslake, IL (US); **Charles V.**
Wiseman, III, Chicago, IL (US);
Walter Timothy Harwood,
Streamwood, IL (US); **Ahren Joseph**
Hartman, Chicago, IL (US); **Gregory**
W. Bachman, Glen Ellyn, IL (US)

(73) Assignee: **Shure Acquisition Holdings, Inc.**,
Niles, IL (US)

(**) Term: **15 Years**

(21) Appl. No.: **29/678,524**

(22) Filed: **Jan. 29, 2019**

(51) **LOC (12) Cl.** **14-01**

(52) **U.S. Cl.**
USPC **D14/192; D14/225**

(58) **Field of Classification Search**
USPC D14/192, 225, 188, 496, 191, 155, 137,
D14/341, 197, 243, 240, 163, 507, 203.7;
D13/144, 110; 381/374, 384; 455/84,
455/575.1, 569.1, 350, 351; 340/573.4
CPC ... H04B 1/08; H04R 1/02; H04R 5/02; H04R
9/08; H04R 25/00
See application file for complete search history.

(56) **References Cited**

U.S. PATENT DOCUMENTS

- 2,754,365 A * 7/1956 Walters H04R 1/225
381/322
- 3,249,873 A * 5/1966 Whittemore, Jr. H04R 1/10
455/351
- 3,693,089 A * 9/1972 Hutchinson G08B 3/1058
455/351

- D236,554 S * 8/1975 Sands D6/632
- D272,993 S * 3/1984 Chan D10/106.1
- D273,786 S * 5/1984 Owerko D13/168
- D287,765 S * 1/1987 Topholm D24/174
- D294,830 S * 3/1988 Umehara D10/104.1
- D297,518 S * 9/1988 Yuen D10/106.1
- D303,638 S * 9/1989 Andrews, Sr. D10/106.1
- 5,214,794 A * 5/1993 Van Wijnen G08B 3/1058
341/176
- D339,349 S * 9/1993 Hayasaka D14/188

(Continued)

OTHER PUBLICATIONS

Catalog for “2009 Product Catalogue”, Shure Incorporated, p. 24,
publication date unknown but prior to the filing date of the present
application (1 page).

(Continued)

Primary Examiner — Paula Allen Greene

(74) *Attorney, Agent, or Firm* — Banner & Witcoff, Ltd.

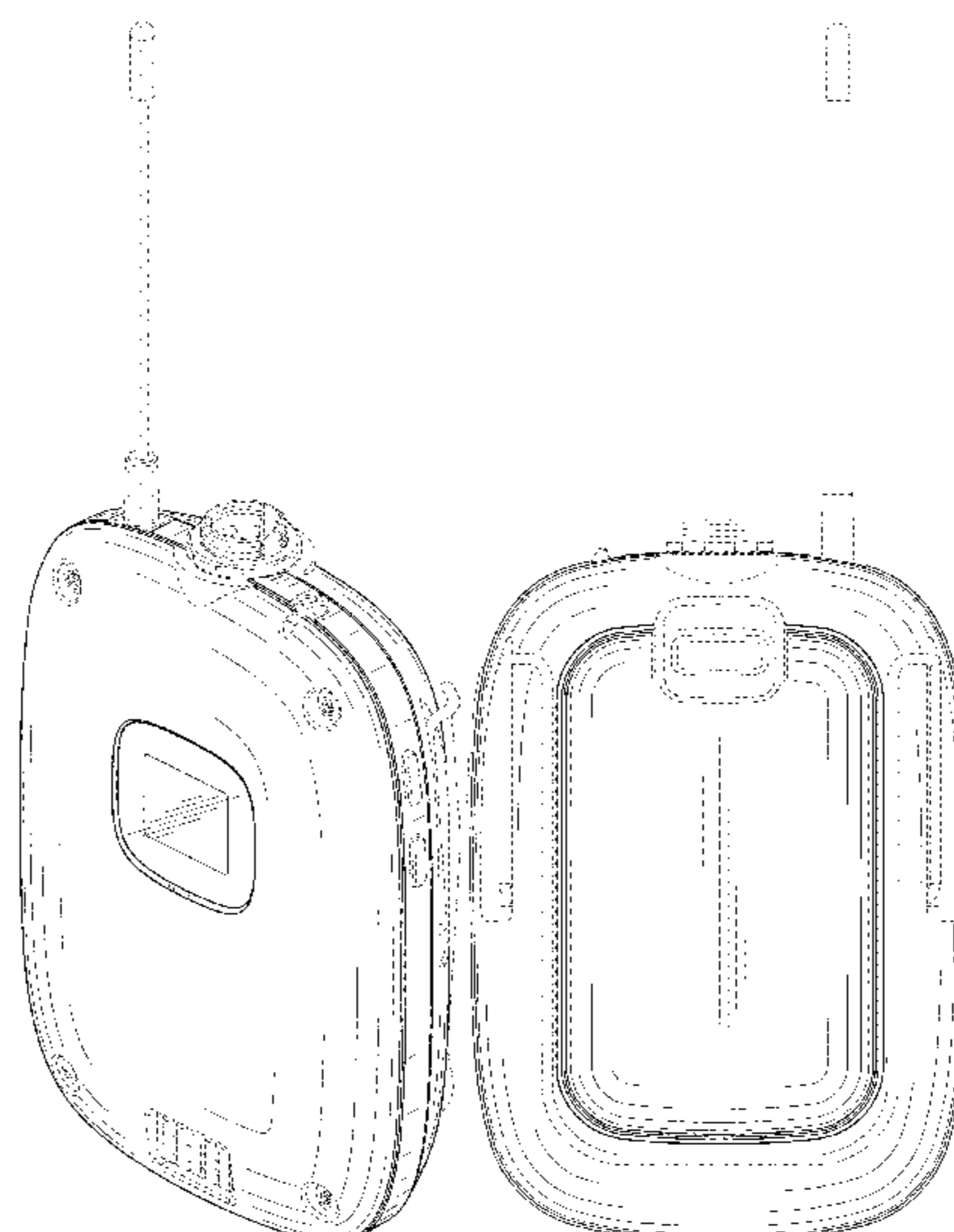
(57) **CLAIM**

The ornamental design for a wireless bodypack, as shown
and described.

DESCRIPTION

FIG. 1 is a top, front, right perspective view of a wireless
bodypack showing our new design;
FIG. 2 is a front view thereof;
FIG. 3 is a rear view thereof;
FIG. 4 is a right side view thereof;
FIG. 5 is a left side view thereof;
FIG. 6 is a top view thereof; and,
FIG. 7 is a bottom view thereof.
The broken lines immediately adjacent to the shaded area
define the bounds of the claimed design and form no part
thereof. The broken lines depicting the remainder of the
wireless bodypack show features that form no part of the
claimed design.

1 Claim, 5 Drawing Sheets



(56)

References Cited

U.S. PATENT DOCUMENTS

D352,504	S *	11/1994	Scheid	D14/191
D371,133	S *	6/1996	Andrea	D14/206
D404,736	S *	1/1999	Alvarez	D14/225
6,263,193	B1 *	7/2001	Iseki	H01Q 23/00 455/84
6,438,248	B1 *	8/2002	Kamimura	H04M 1/05 381/374
D486,806	S *	2/2004	Takayama	D14/137
D496,030	S *	9/2004	Harbeke	D14/225
D496,346	S	9/2004	Fuss et al.	
D496,653	S *	9/2004	Townsend	D14/240
D536,692	S *	2/2007	Alwicker	D14/188
D540,774	S	4/2007	Alwicker et al.	
D547,330	S *	7/2007	Lee	D14/496
D553,613	S *	10/2007	Sade	D14/223
D554,630	S *	11/2007	Ma	D14/240
D557,674	S *	12/2007	Lee	D14/138 AB
D558,742	S *	1/2008	Koller	D14/225
D560,230	S *	1/2008	Yagi	D14/168
D569,841	S *	5/2008	Chung	D14/205
D593,132	S *	5/2009	Kim	D14/496
D595,272	S *	6/2009	Kim	D14/223
D596,614	S *	7/2009	Wilson	D14/188
D601,122	S *	9/2009	Hibino	D14/203.7
D604,723	S *	11/2009	Bodley	D14/225
D605,293	S *	12/2009	Kurokawa	D24/174
D607,440	S *	1/2010	Yamakawa	D14/206
D611,458	S *	3/2010	Li	D14/225
D614,608	S *	4/2010	Behling	D14/223
D616,875	S *	6/2010	Oh	D14/188
D617,317	S *	6/2010	Tatara	D14/225
D627,069	S *	11/2010	Mehlsen	D14/155
D645,028	S *	9/2011	Pescetto	D14/225
D649,139	S *	11/2011	Waay	D14/225
8,126,138	B2 *	2/2012	Dinh	H04M 1/03 379/433.02
D660,827	S *	5/2012	Sakata	D14/225
D661,249	S *	6/2012	Smith	D13/110
D661,281	S *	6/2012	Mahaffy	D14/206
D708,170	S *	7/2014	Duek	D14/225
D808,356	S	1/2018	Miller et al.	
D820,235	S *	6/2018	Ricci	D14/192
D848,403	S *	5/2019	Tsuruoka	D14/225
D853,361	S *	7/2019	Ding	D14/225
D869,446	S *	12/2019	Bryant	D14/225
2003/0020694	A1 *	1/2003	Kim	G06F 3/0338 345/169

OTHER PUBLICATIONS

Catalog for “2009 Product Catalogue”, Shure Incorporated, p. 25, publication date unknown but prior to the filing date of the present application (1 page).

Catalog for “2009 Product Catalogue”, Shure Incorporated, p. 27, publication date unknown but prior to the filing date of the present application (1 page).

Catalog for “2009 Product Catalogue”, Shure Incorporated, p. 29, publication date unknown but prior to the filing date of the present application (1page).

Catalog for “2009 Product Catalogue”, Shure Incorporated, p. 31, publication date unknown but prior to the filing date of the present application (1page).

Catalog for “2009 Product Catalogue”, Shure Incorporated, p. 33, publication date unknown but prior to the filing date of the present application (1page).

Catalog for “2009 Product Catalogue”, Shure Incorporated, p. 36, publication date unknown but prior to the filing date of the present application (1page).

Catalog for “2009 Product Catalogue”, Shure Incorporated, p. 43, publication date unknown but prior to the filing date of the present application (1page).

Catalog for “2009 Product Catalogue”, Shure Incorporated, p. 47, publication date unknown but prior to the filing date of the present application (1page).

Catalog for “2009 Product Catalogue”, Shure Incorporated, p. 49, publication date unknown but prior to the filing date of the present application (1page).

Catalog for “2010 Product Catalogue”, Shure Incorporated, p. 55, publication date unknown but prior to the filing date of the present application (1page).

Catalog for “2011 Product Catalogue”, Shure Incorporated, p. 39, publication date unknown but prior to the filing date of the present application (1page).

Catalog for “2012 Product Catalogue”, Shure Incorporated, p. 43, publication date unknown but prior to the filing date of the present application (1page).

Catalog for “2012 Product Catalogue”, Shure Incorporated, p. 55, publication date unknown but prior to the filing date of the present application (1page).

Catalog for “2013 Product Catalogue”, Shure Incorporated, p. 23, publication date unknown but prior to the filing date of the present application (1page).

Catalog for “2014 Product Catalogue”, Shure Incorporated, p. 50, publication date unknown but prior to the filing date of the present application (1page).

Catalog for “2015 Product Catalogue”, Shure Incorporated, p. 48, publication date unknown but prior to the filing date of the present application (1page).

Catalog for “2017 Product Catalogue”, Shure Incorporated, p. 71, publication date unknown but prior to the filing date of the present application (1page).

Catalog for “2018 Product Catalogue”, Shure Incorporated, p. 66, publication date unknown but prior to the filing date of the present application (1page).

* cited by examiner

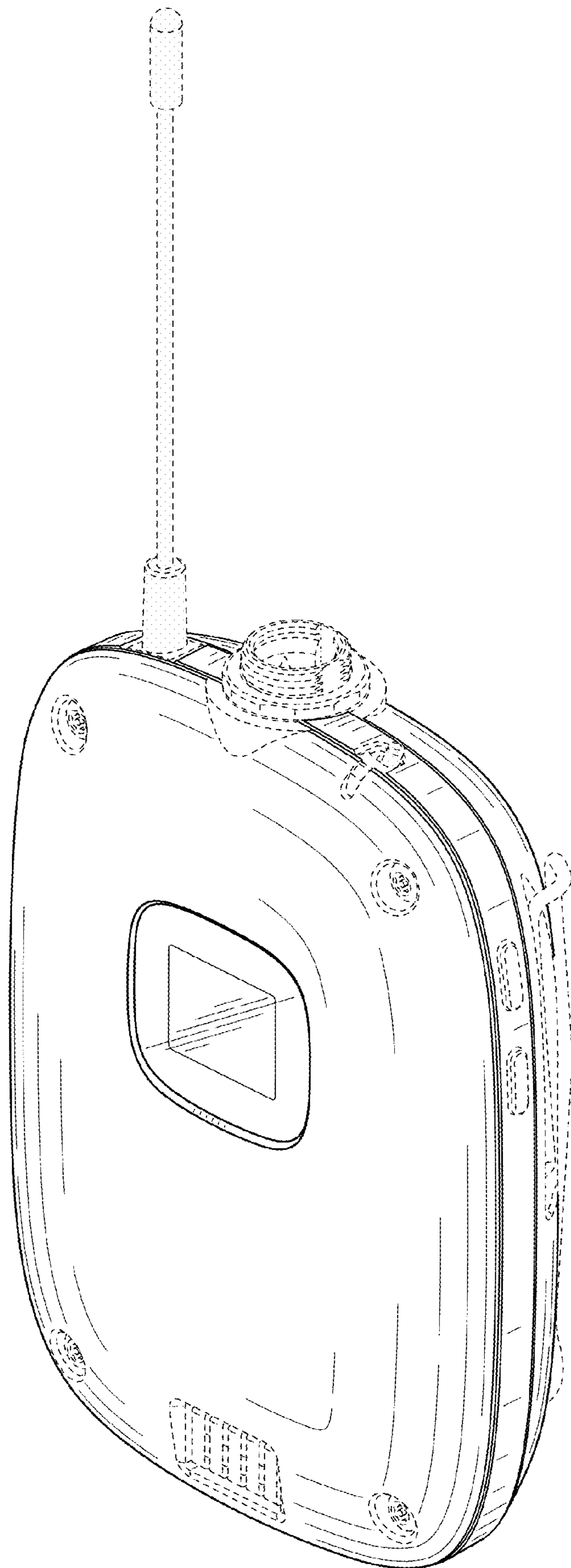


FIG. 1

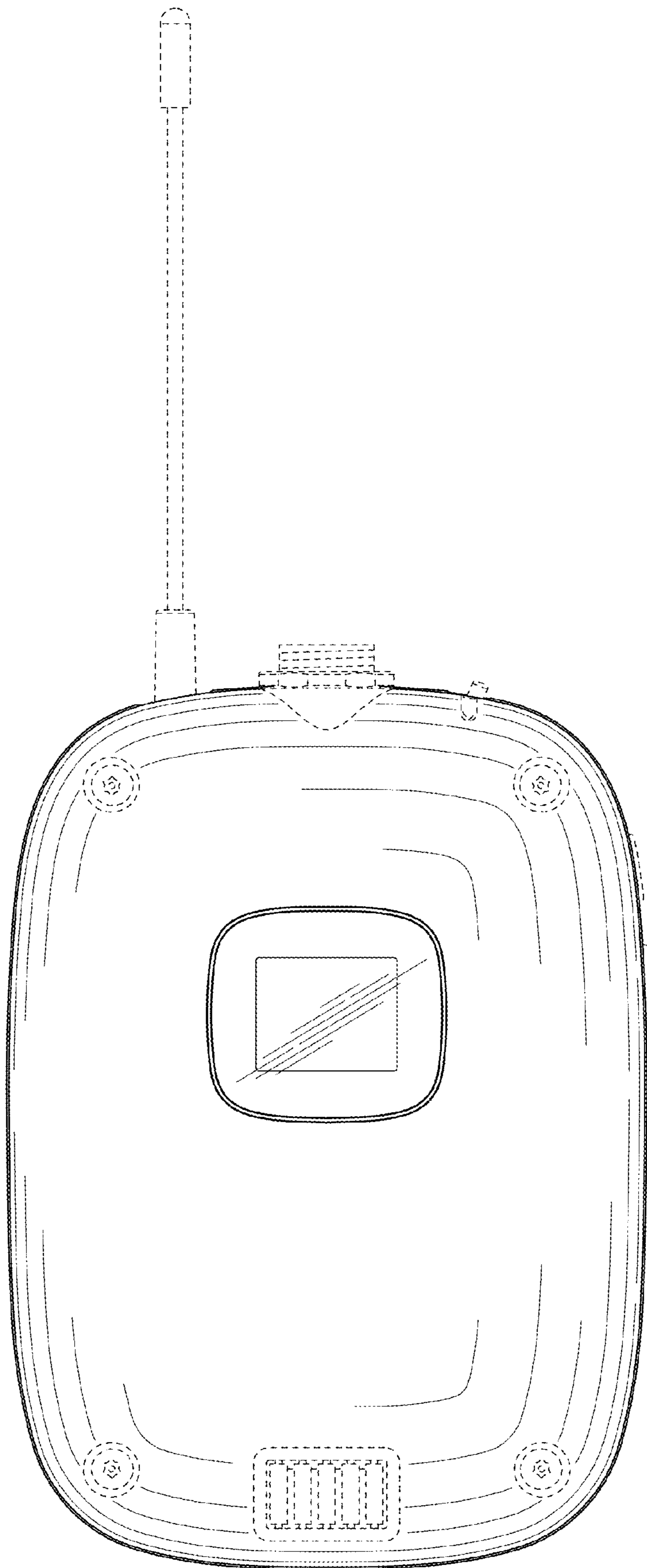


FIG. 2

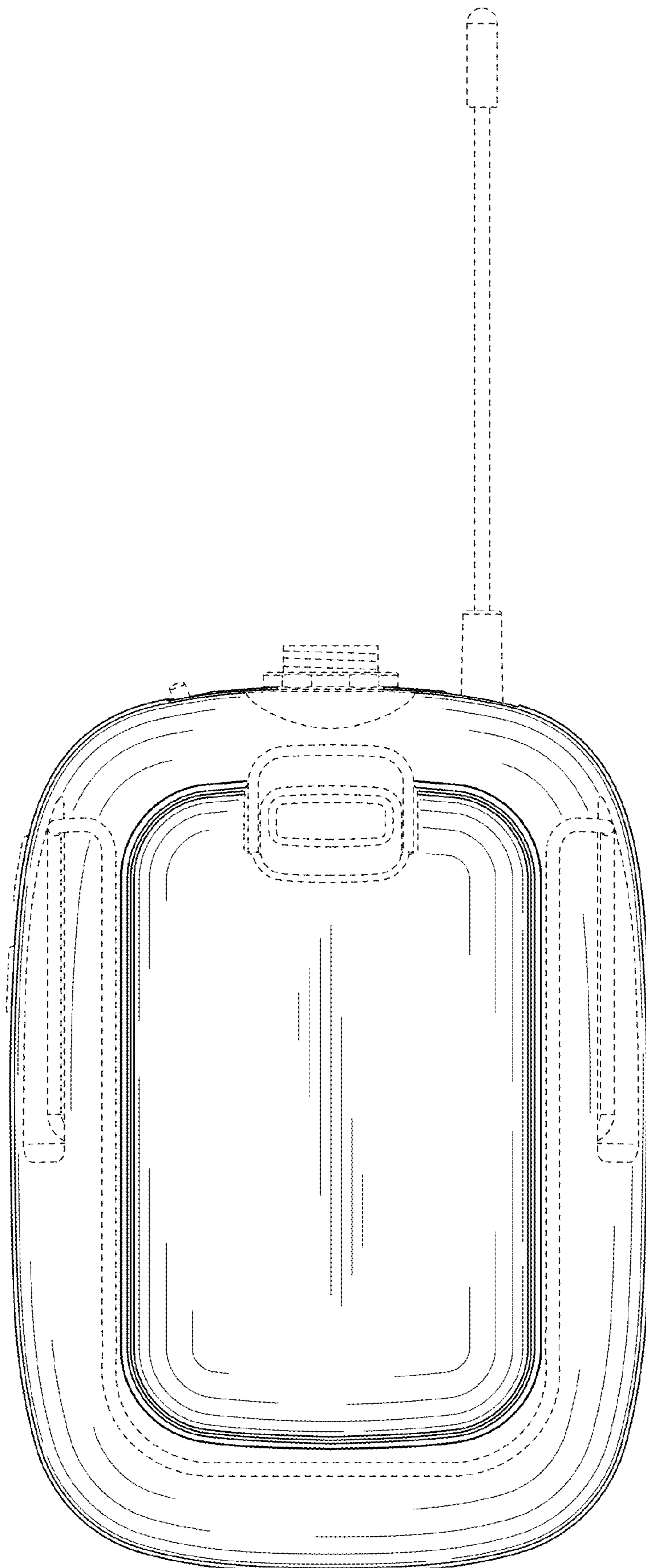


FIG. 3

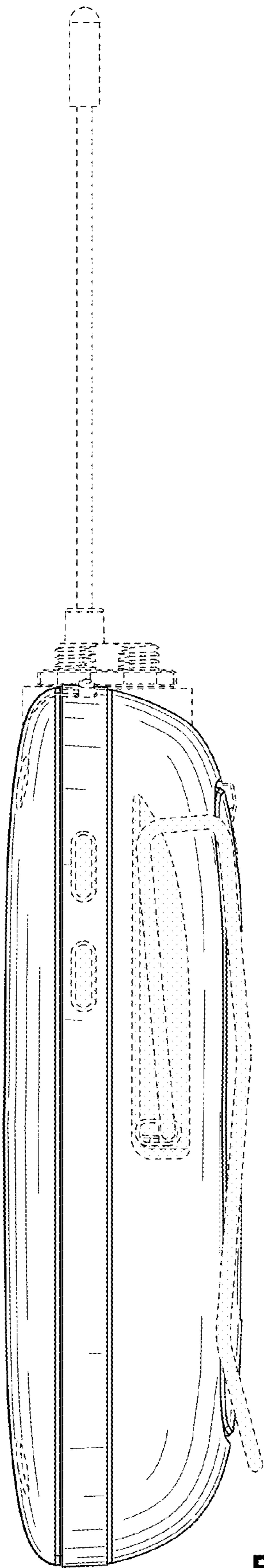


FIG. 4

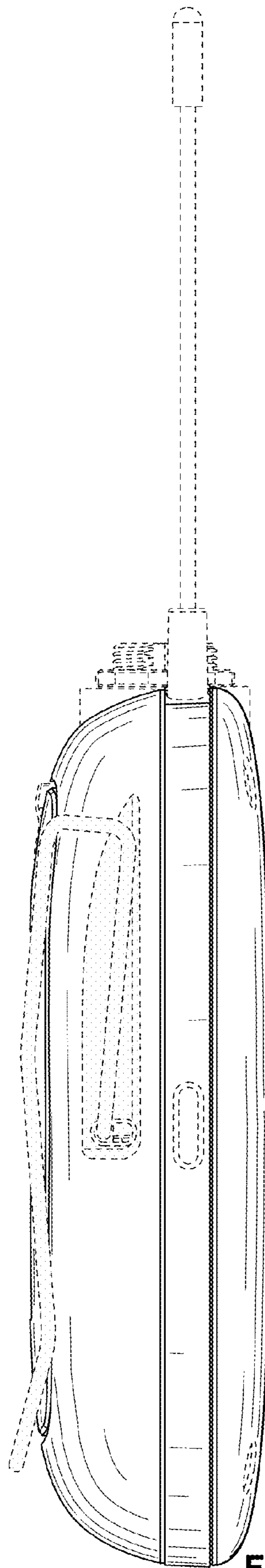


FIG. 5

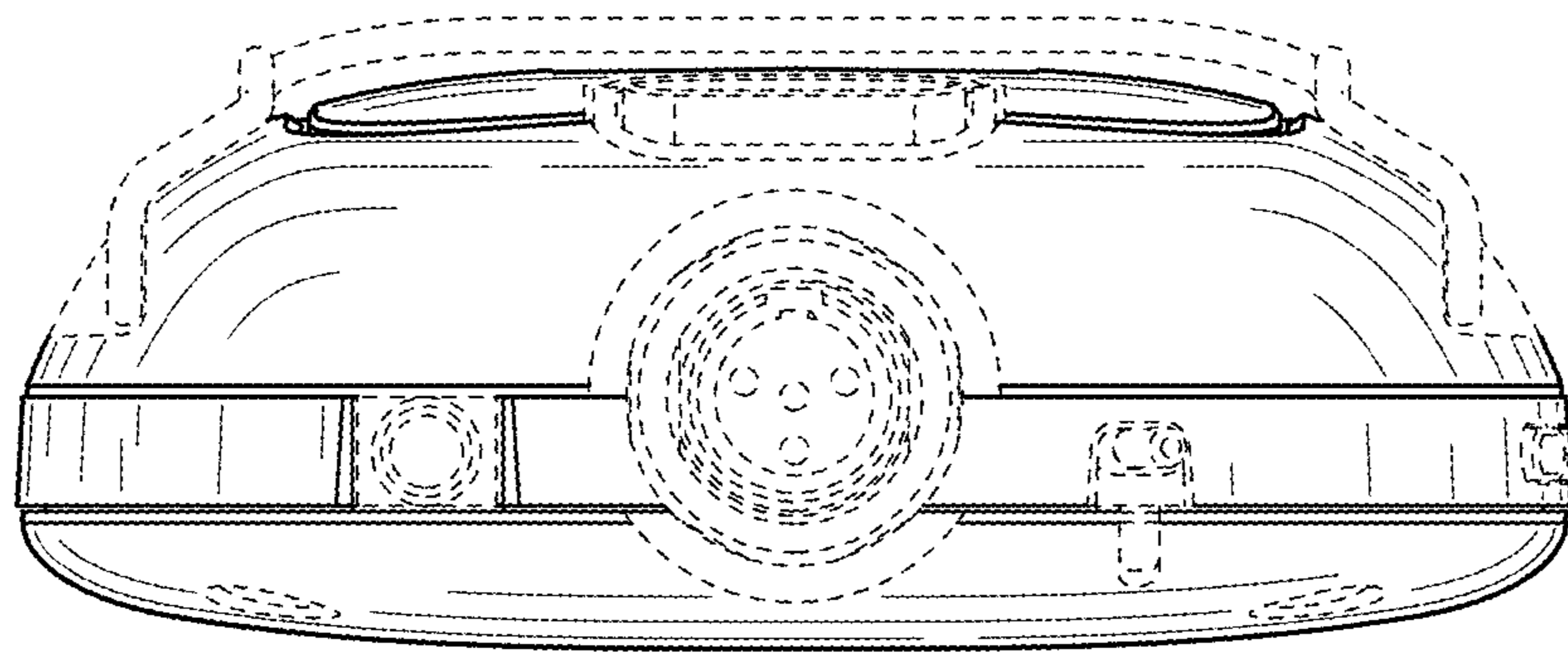


FIG. 6

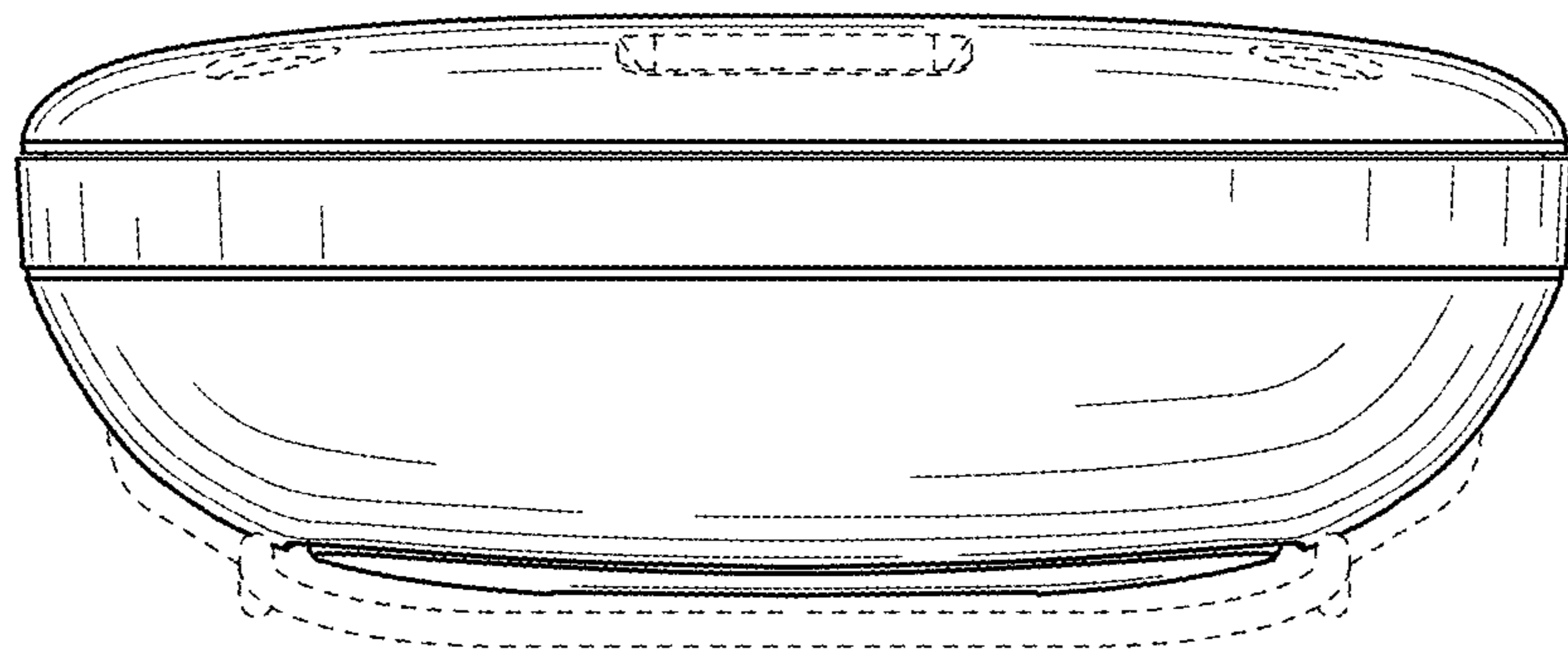


FIG. 7