



US00D893446S

(12) **United States Design Patent**
Rodriguez et al.

(10) **Patent No.:** **US D893,446 S**

(45) **Date of Patent:** **** Aug. 18, 2020**

(54) **STAND-ALONE HEADPHONES WITH DIGITAL MUSIC PLAYER**

(71) Applicants: **Robert Rodriguez**, Bridgeport, CT (US); **Veronica Rodriguez**, Bridgeport, CT (US)

(72) Inventors: **Robert Rodriguez**, Bridgeport, CT (US); **Veronica Rodriguez**, Bridgeport, CT (US)

(**) Term: **15 Years**

(21) Appl. No.: **29/660,766**

(22) Filed: **Aug. 22, 2018**

(51) **LOC (12) Cl.** **14-01**

(52) **U.S. Cl.**
USPC **D14/192; D14/206**

(58) **Field of Classification Search**
USPC D14/192, 188, 142, 205, 206; D29/112; 2/209; 181/129, 130, 135; 379/430, 431; 381/380, 381, 376, 378, 371; 455/90.3, 455/575.1, 569.1, 349
CPC H04R 25/00; H04R 1/10; H04R 1/1066; H04R 1/1016; H04R 5/033; H04R 5/0335; H04R 1/1041

See application file for complete search history.

(56) **References Cited**

U.S. PATENT DOCUMENTS

3,984,885	A *	10/1976	Yoshimura	H04R 1/1075	381/309
D254,910	S *	5/1980	Lung	D14/168	
D315,561	S *	3/1991	Miller	D14/192	
D324,385	S *	3/1992	Yoda	D14/192	
5,113,428	A *	5/1992	Fitzgerald	H04B 1/385	379/430
D342,947	S *	1/1994	Totsuka	D14/192	
D386,181	S *	11/1997	Fisher	D14/192	
D394,436	S *	5/1998	Hall	D14/206	

D439,574	S *	3/2001	Katayama	D14/192	
6,236,732	B1 *	5/2001	Griffith	H04R 1/1008	381/370
D444,140	S *	6/2001	Ishibashi	D14/192	
6,466,677	B1 *	10/2002	Bush	H04R 5/0335	381/300
D467,895	S *	12/2002	Hirano	D14/192	
6,754,361	B1 *	6/2004	Hall	H04R 1/1025	379/430
D504,414	S *	4/2005	Yoshida	D14/192	
D510,335	S *	10/2005	Suzuki	D14/205	

(Continued)

FOREIGN PATENT DOCUMENTS

WO D090028-001 * 2/2016

Primary Examiner — Paula Allen Greene

(74) *Attorney, Agent, or Firm* — Furr Law Firm; Jeffrey Furr, Esq.

(57) **CLAIM**

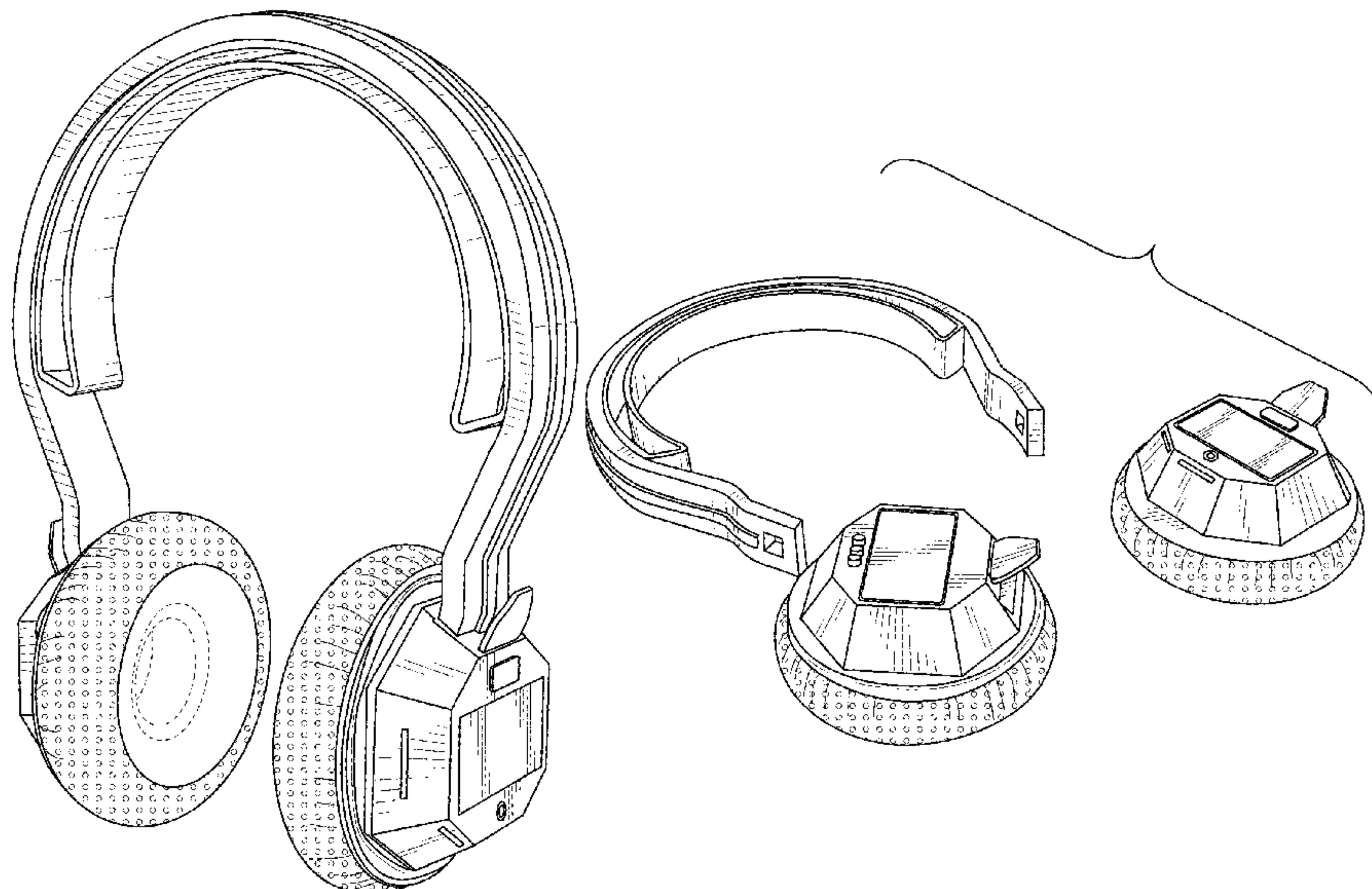
The ornamental design for a stand-alone headphones with digital music player, as shown and described.

DESCRIPTION

FIG. 1 is a front view of the stand-alone headphones with digital music player showing my new design thereof; FIG. 2 is a left perspective view thereof; FIG. 3 is a right perspective view thereof; FIG. 4 is left side view thereof; FIG. 5 is a right side view thereof; FIG. 6 is a bottom view thereof; FIG. 7 is a top view thereof; FIG. 8 is a perspective view thereof with the ear pieces disassembled; FIG. 9 is a perspective view thereof; FIG. 10 is a perspective view of the ear pieces thereof, shown separately for purposes of illustration; and, FIG. 11 is a back view thereof.

The broken lines depict environment that is for illustrative purposes only and forms no part of the claimed design.

1 Claim, 11 Drawing Sheets



(56)

References Cited

U.S. PATENT DOCUMENTS

D583,800	S	*	12/2008	Jaakkola	D14/205
D588,098	S	*	3/2009	Kurihara	D14/205
D592,640	S	*	5/2009	Tkachuk	D14/205
D597,070	S	*	7/2009	Zheng	D14/205
D641,725	S	*	7/2011	Chong	D14/205
8,213,666	B2	*	7/2012	Groesch	H04R 5/033 381/376
D722,998	S	*	2/2015	Sancho	D14/205
D724,559	S	*	3/2015	Reaux	D14/205
9,167,347	B1	*	10/2015	Silberberg	H04R 1/1041
D790,503	S	*	6/2017	Lok	D14/205
D840,974	S	*	2/2019	Ferren	D14/205
2013/0087404	A1	*	4/2013	Peskar	G10K 11/168 181/129
2016/0080853	A1	*	3/2016	Chen	H04R 1/1041 381/74

* cited by examiner

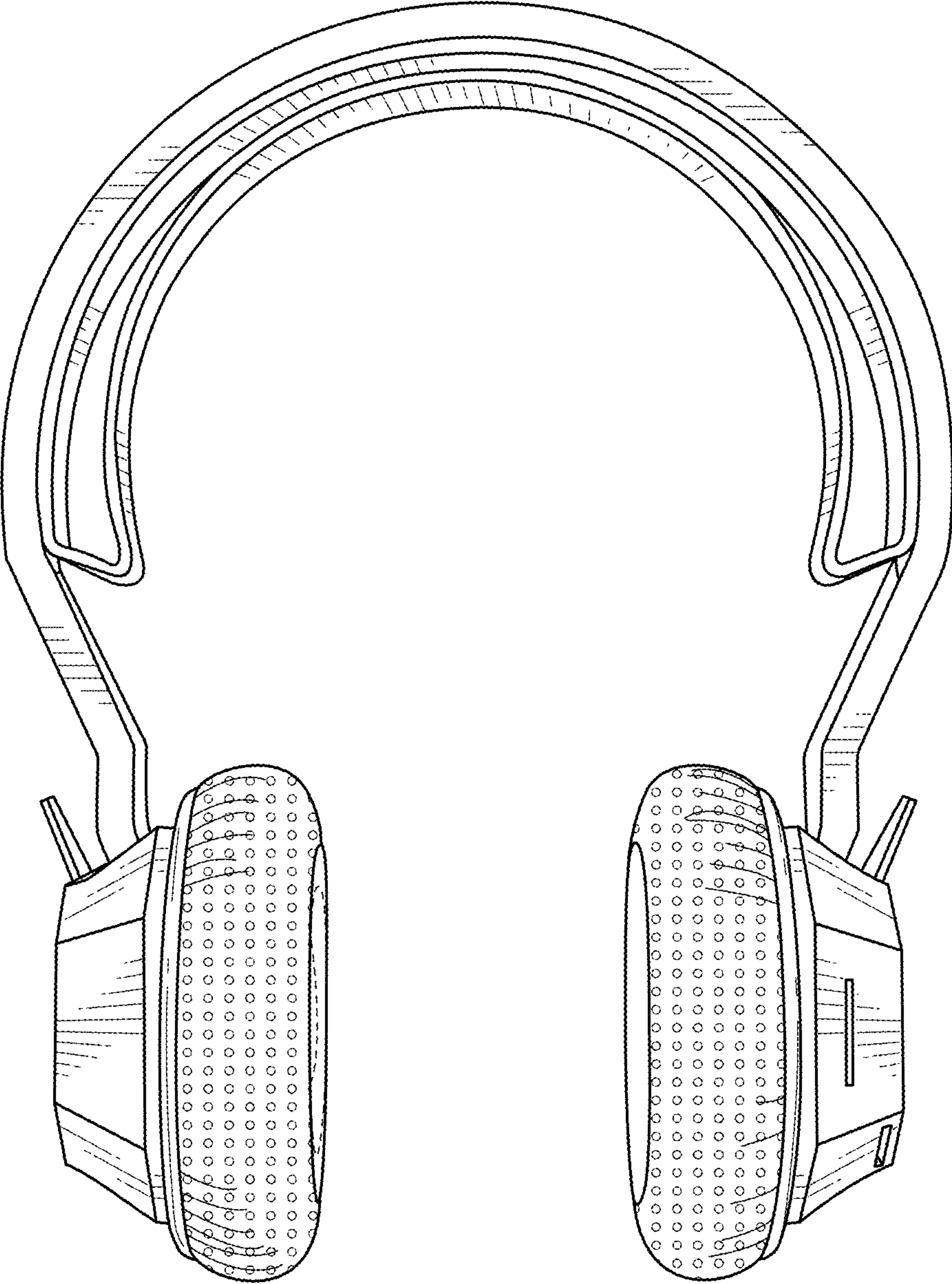


FIG. 1

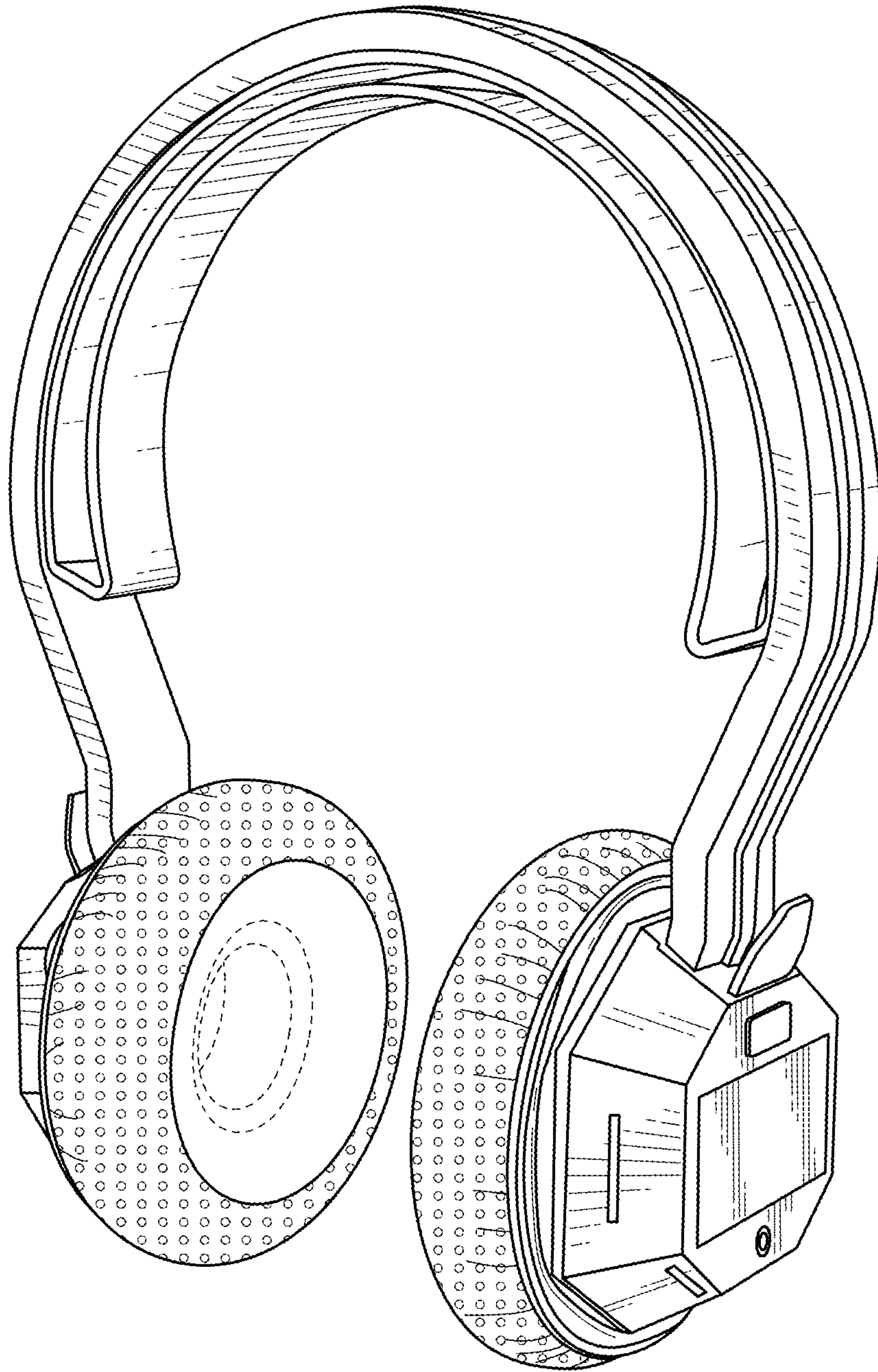


FIG. 2

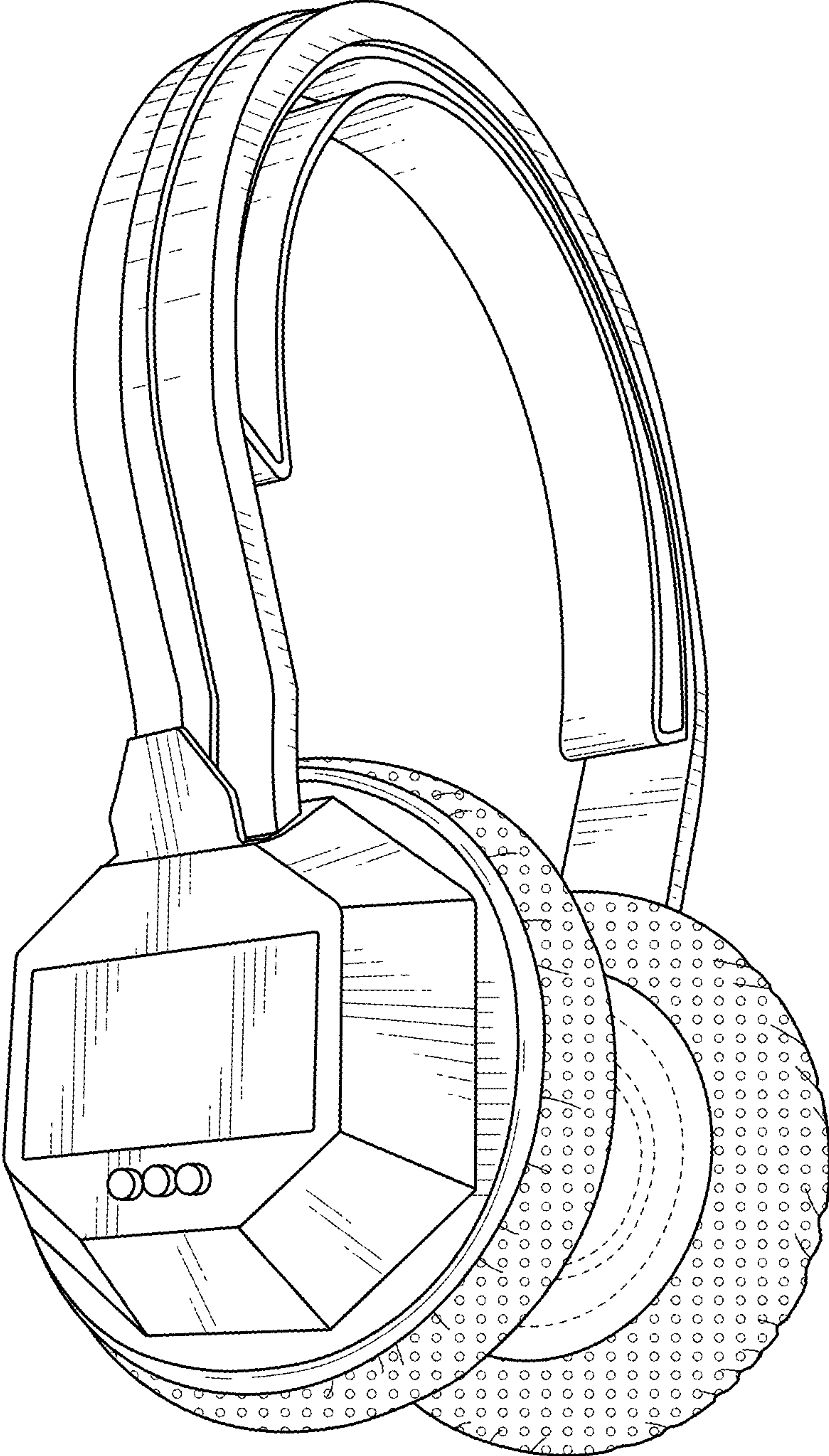


FIG. 3

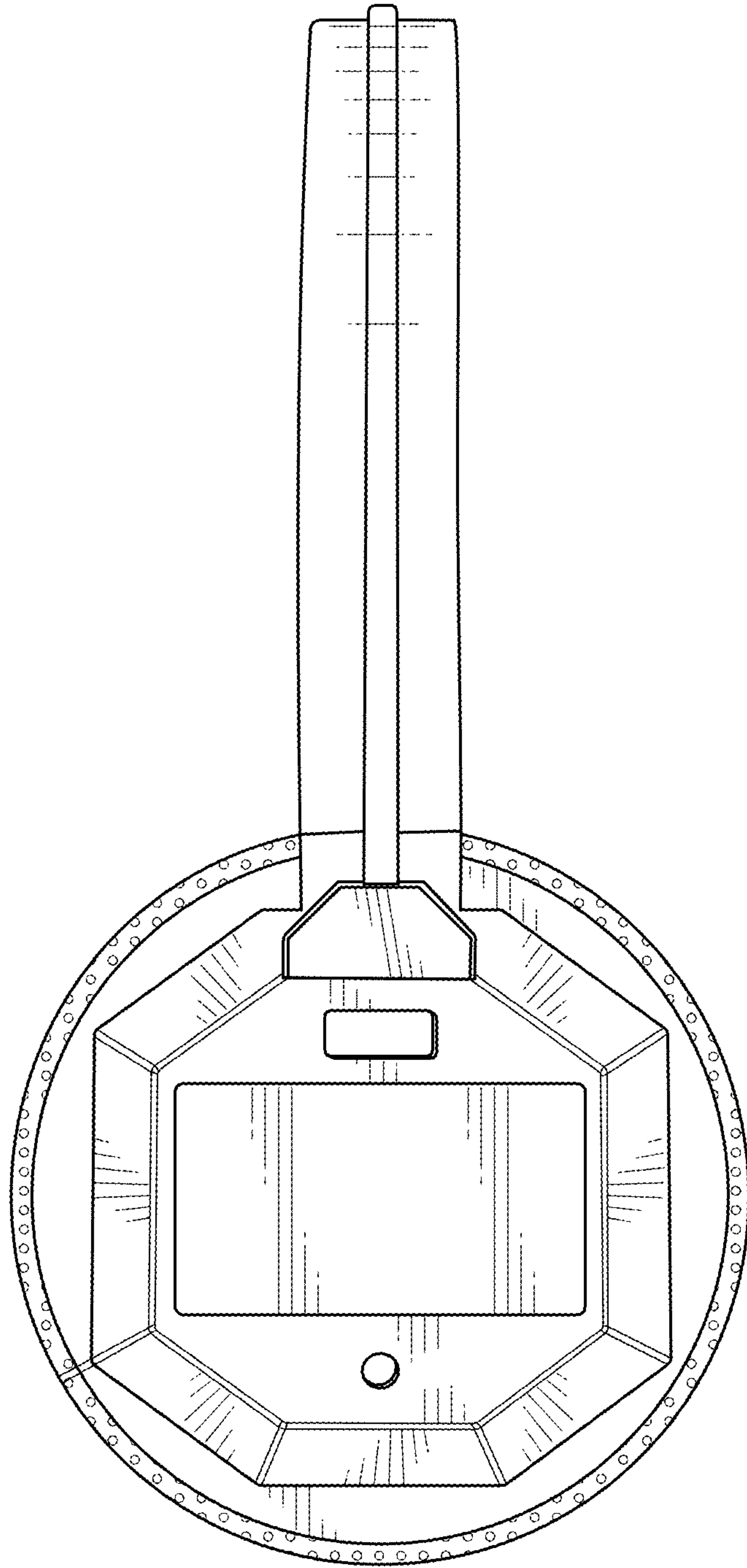


FIG. 4

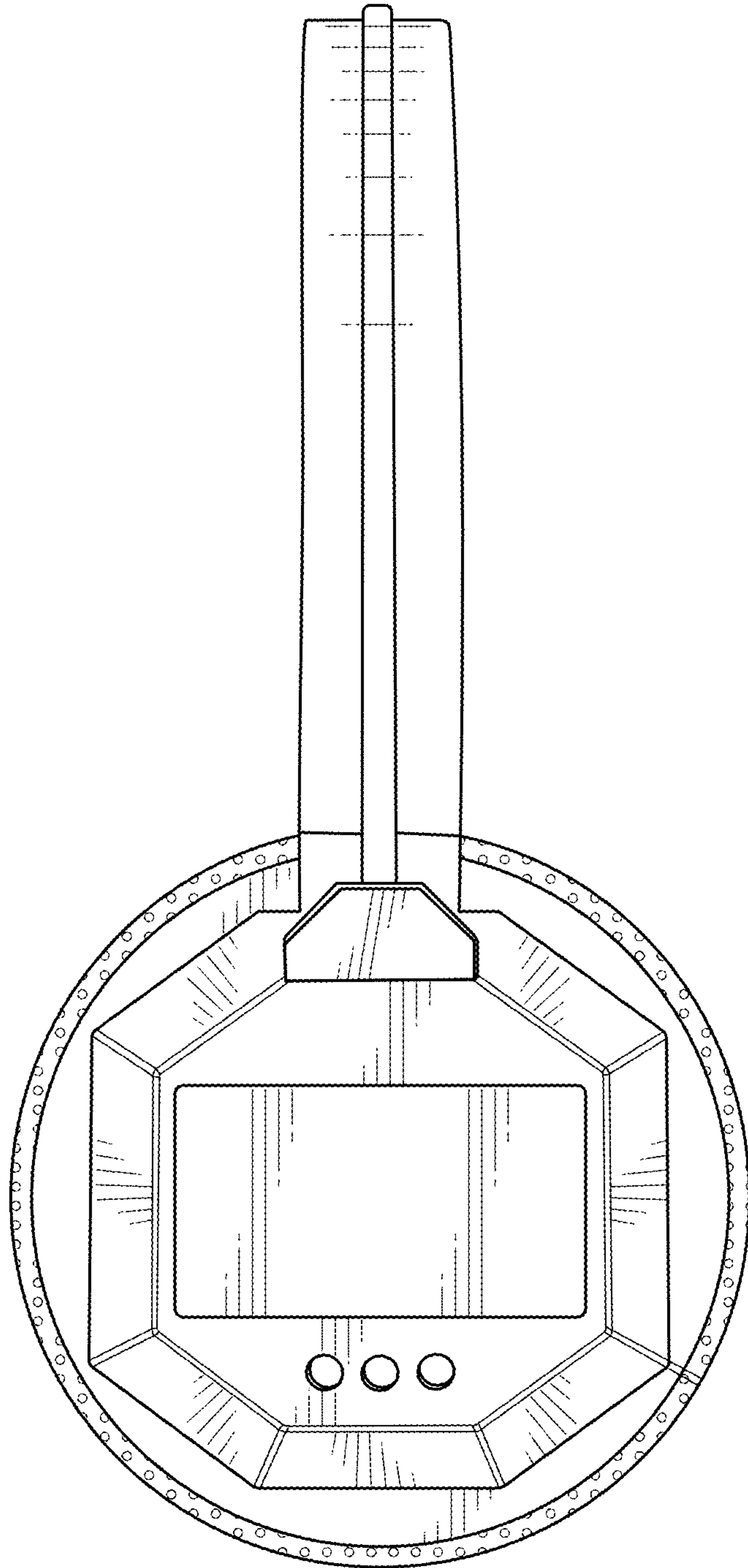


FIG. 5

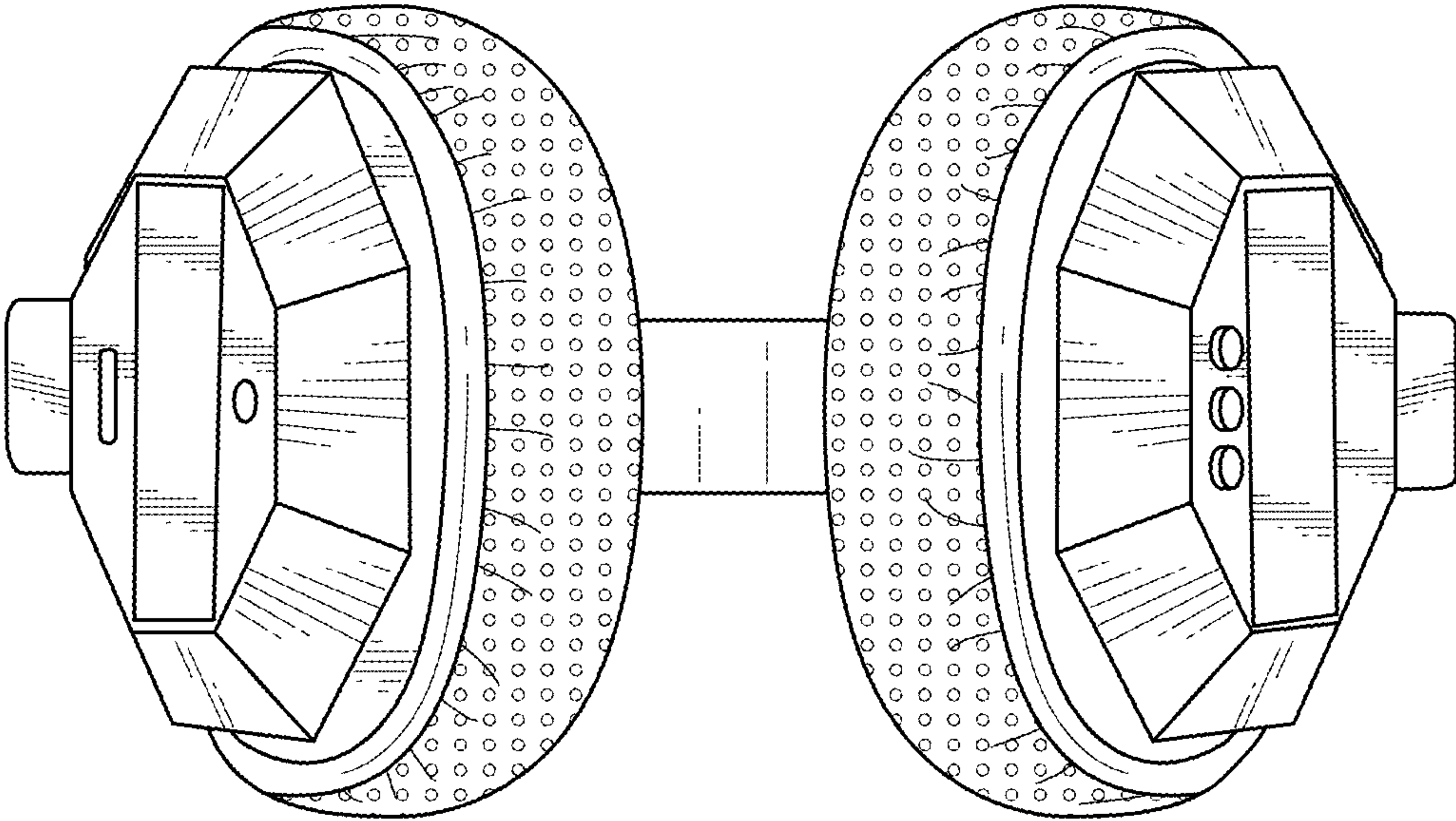


FIG. 6

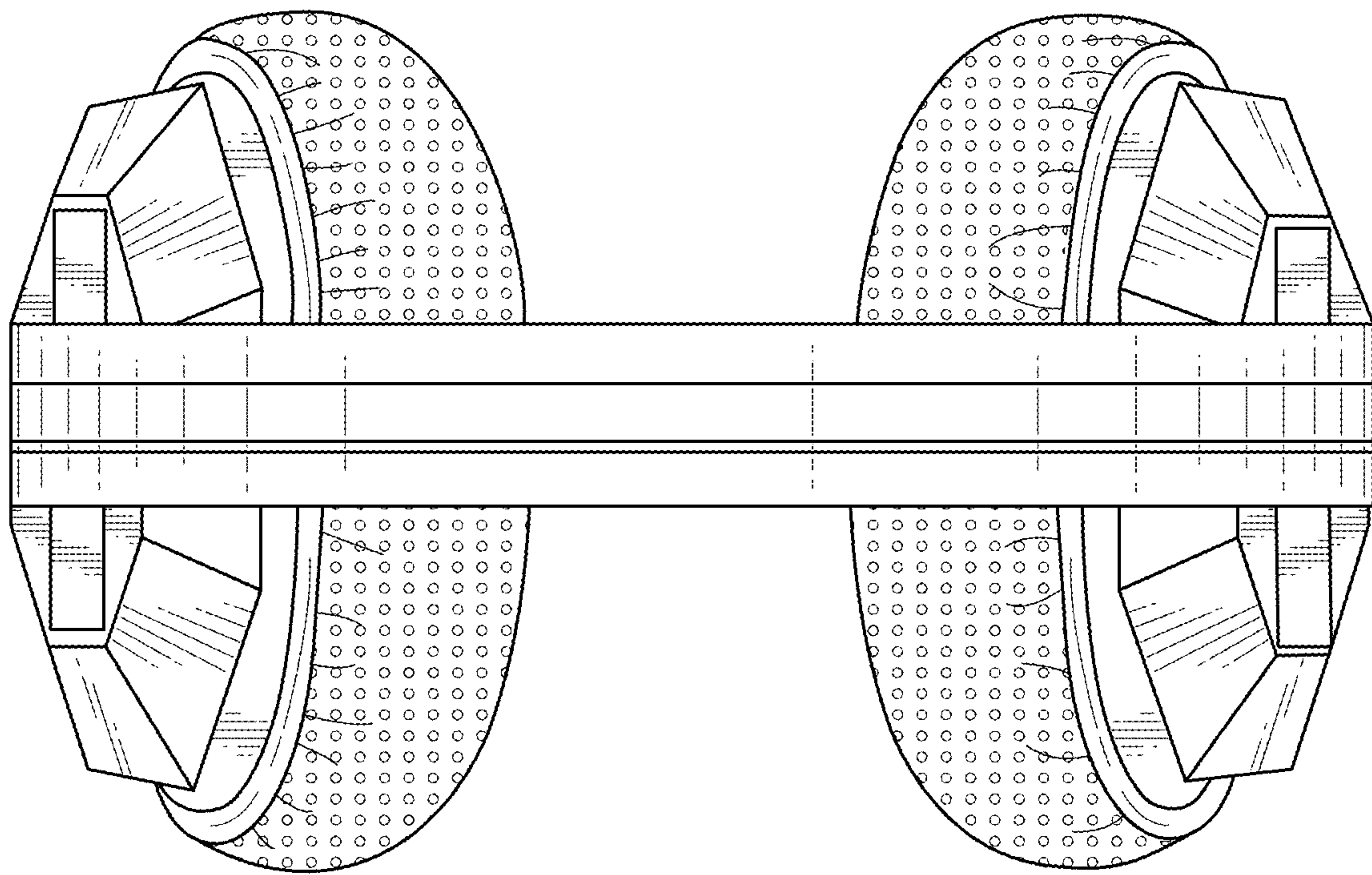


FIG. 7

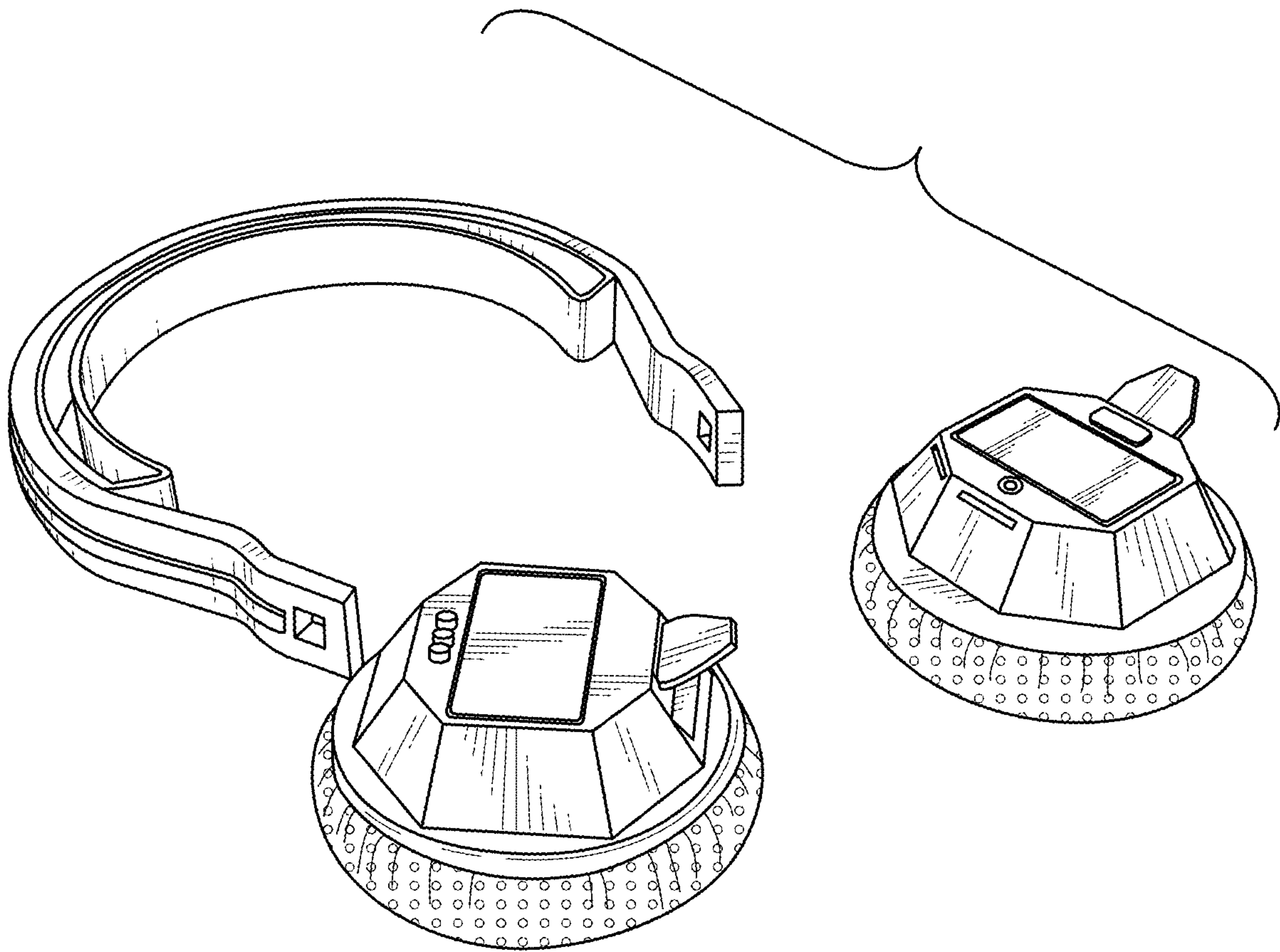


FIG. 8

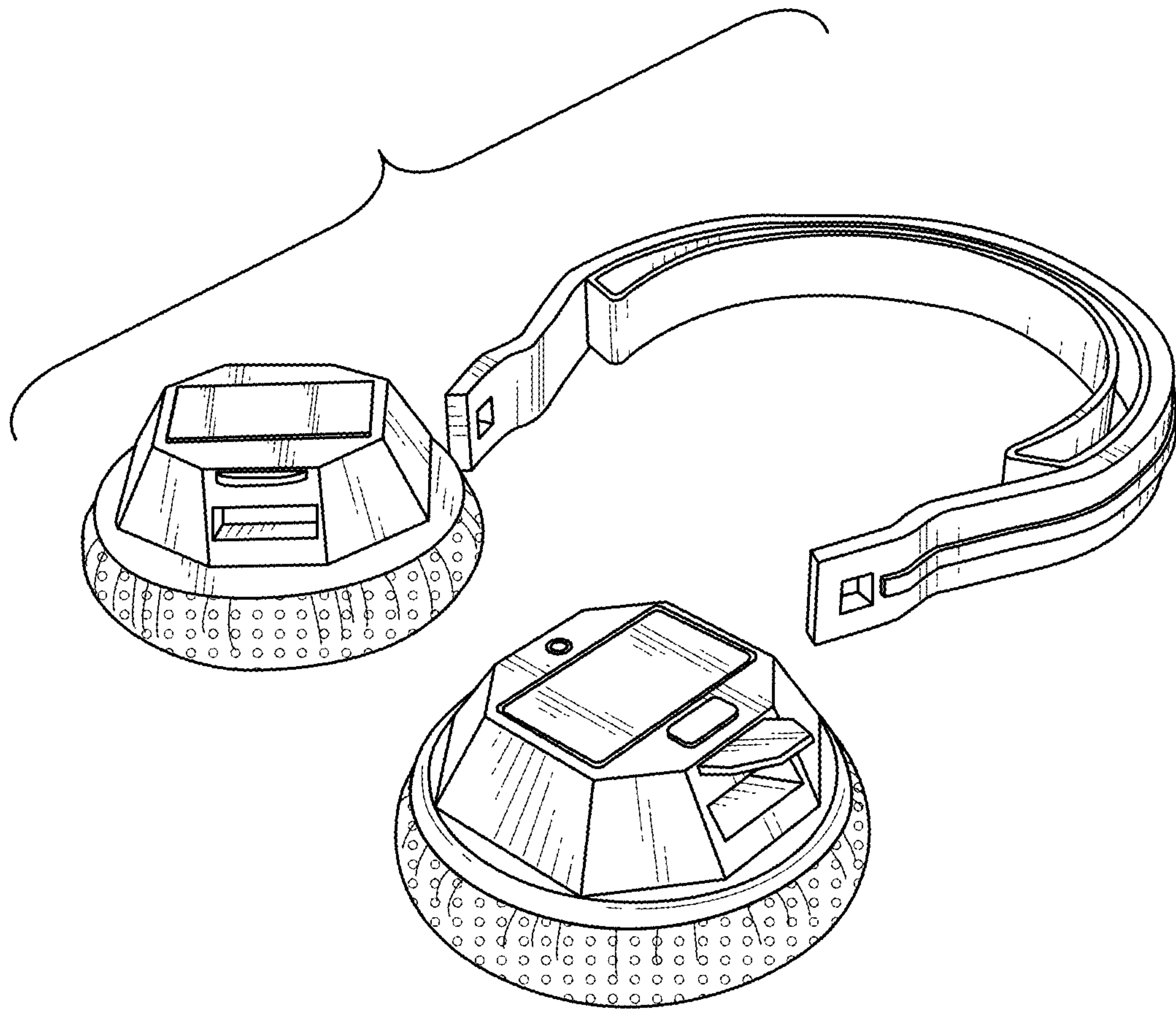


FIG. 9

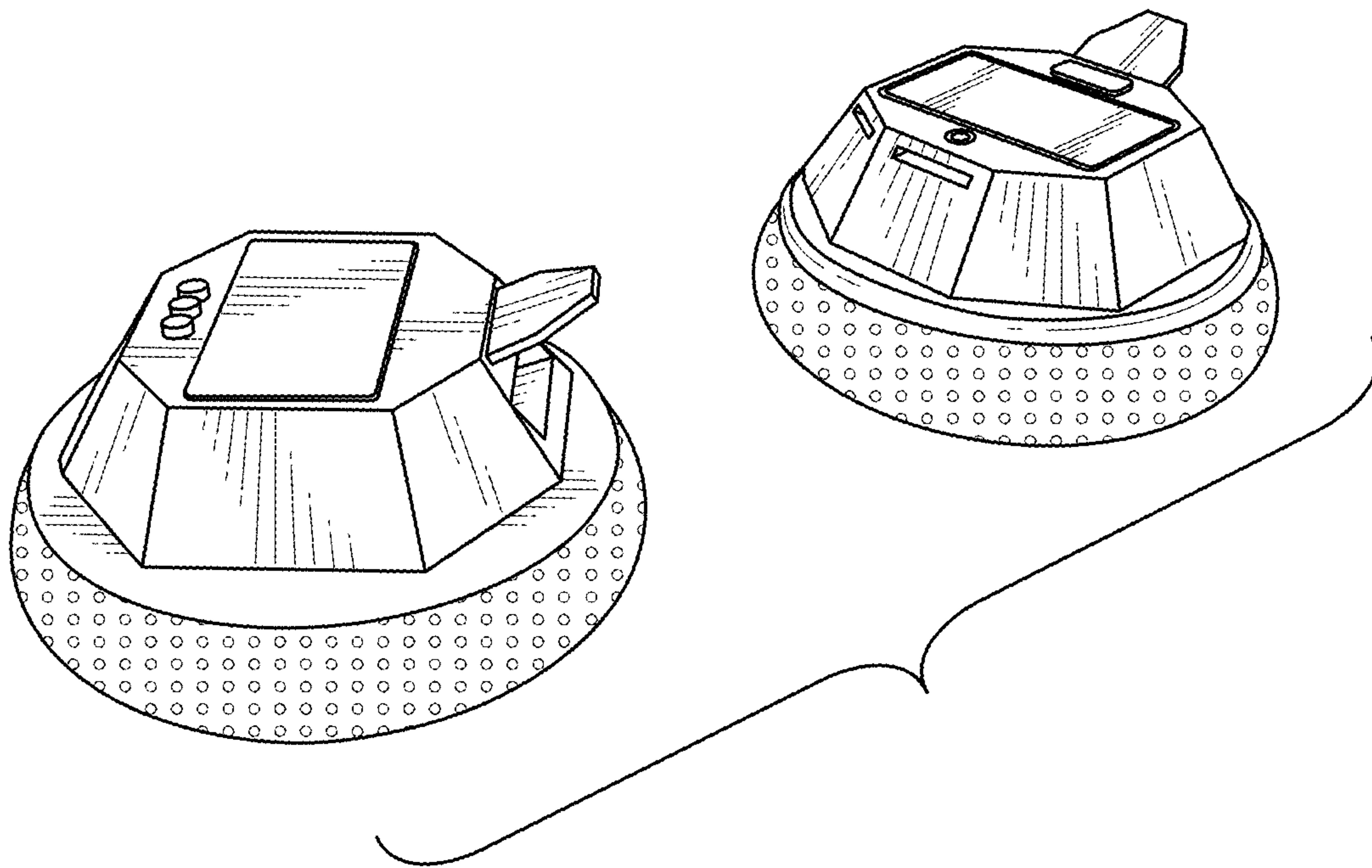


FIG. 10

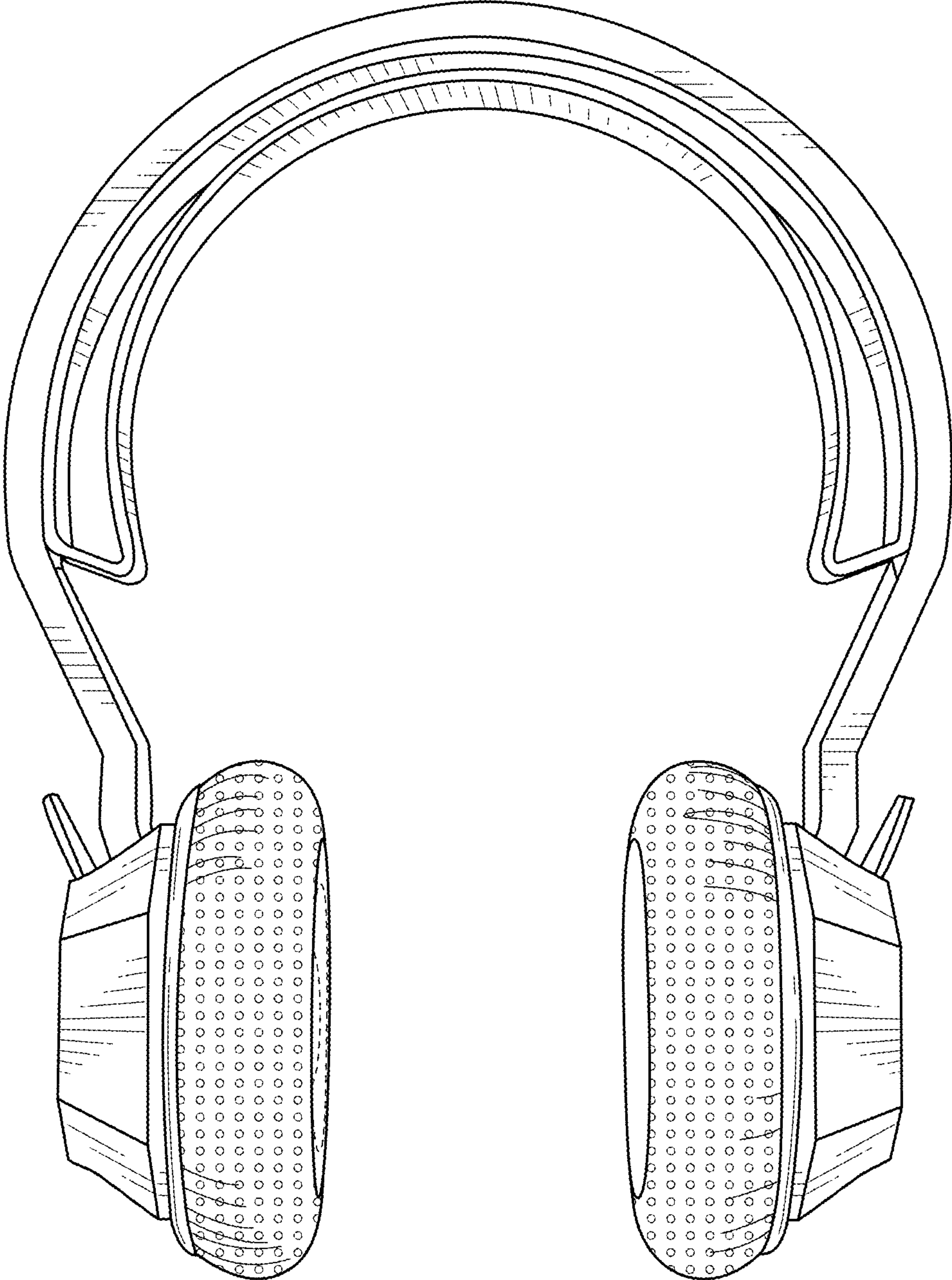


FIG. 11