



US00D893445S

(12) **United States Design Patent**
Wall et al.

(10) **Patent No.:** **US D893,445 S**

(45) **Date of Patent:** **** Aug. 18, 2020**

(54) **RADIO RECEIVER**

(71) Applicant: **Live Sports Radio LLC**, Rochester Hills, MI (US)

(72) Inventors: **Alexander Wall**, West End (AU); **Mitchell Dunn**, West End (AU); **Reid Price**, West End (AU); **Daniel Reid**, West End (AU); **Jared Gilsenan**, West End (AU)

(73) Assignee: **Live Sports Radio LLC**, Rochester hills, MI (US)

(**) Term: **15 Years**

(21) Appl. No.: **29/723,574**

(22) Filed: **Feb. 7, 2020**

(51) **LOC (12) Cl.** **14-03**

(52) **U.S. Cl.**
USPC **D14/188**

(58) **Field of Classification Search**
USPC D14/162, 169, 175, 179, 197, 198, 217, D14/357, 265, 299

CPC B60R 11/0217; G06F 1/1688; G10K 9/22; G10K 11/004; H03F 1/327; H04M 1/03; H04M 1/035; H04N 5/642; H04N 21/4852; H04R 1/02; H04R 1/06; H04R 1/021; H04R 1/025; H04R 1/026; H04R 1/028; H04R 1/105; H04R 1/323; H04R 1/403; H04R 1/2803; H04R 1/2834; H04R 5/02; H04R 7/20; H04R 9/06; H04R 9/025; H04R 2201/021; H04R 2400/00; H04R 2400/07; H04R 2499/11; H04R 2499/13; H04R 2499/15; H04S 3/00; H04S 7/30

See application file for complete search history.

(56) **References Cited**

U.S. PATENT DOCUMENTS

D174,053 S 2/1955 Norris
D179,151 S 11/1956 Norris

D284,859 S 7/1986 Okada
4,649,570 A 3/1987 Terbrack et al.
D293,107 S 12/1987 Muller
4,727,599 A 2/1988 Rappaport et al.
D319,830 S * 9/1991 Miyai D14/165
D321,881 S 11/1991 Hopewell
D326,653 S 6/1992 Hino
5,146,619 A 9/1992 Brown
D419,564 S 1/2000 McDonald et al.
D456,384 S 4/2002 Ng
D457,154 S 5/2002 Ng
D477,822 S 7/2003 Komiyama
D478,573 S 8/2003 Wisley et al.
6,658,687 B1 12/2003 McDonald

(Continued)

OTHER PUBLICATIONS

Notice of Allowance and Fee(s) Due dated Jun. 26, 2020 pertaining to Design U.S. Appl. No. 29/723,577, filed Feb. 7, 2020, 11 pgs.

Primary Examiner — Keli L Hill

(74) *Attorney, Agent, or Firm* — Dinsmore & Shohl LLP

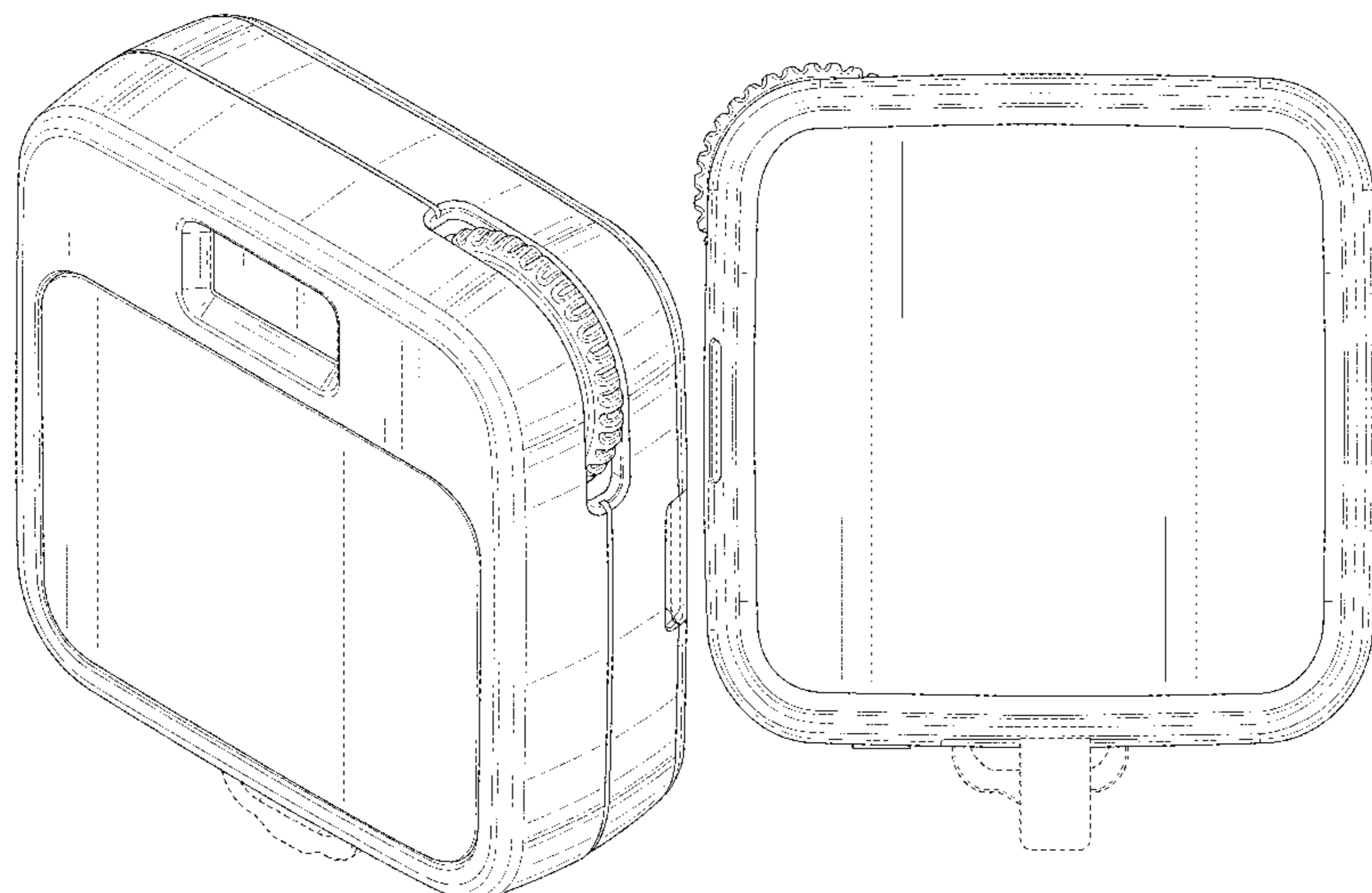
(57) **CLAIM**

The ornamental design for a radio receiver, as shown and described.

DESCRIPTION

FIG. 1 is a top front and side perspective view of an embodiment of a radio receiver;
FIG. 2 is a front elevation view of the radio receiver;
FIG. 3 is a back elevation view of the radio receiver;
FIG. 4 is a side elevation view of the radio receiver;
FIG. 5 is an opposite side elevation view of the radio receiver;
FIG. 6 is a top plan view of the radio receiver; and
FIG. 7 is a bottom plan view of the radio receiver.
The broken lines depict portions of the radio receiver that form no part of the claimed design.

1 Claim, 7 Drawing Sheets



(56)

References Cited

U.S. PATENT DOCUMENTS

D516,054 S	*	2/2006	Chang	D14/168
D516,540 S		3/2006	Beauchemin et al.	
D539,787 S		4/2007	Kim et al.	
D542,303 S	*	5/2007	Cheng	D14/496
D545,813 S		7/2007	Ma	
D560,652 S		1/2008	Opperman	
D566,103 S		4/2008	Sade et al.	
D584,283 S		1/2009	Soetejo et al.	
D588,113 S		3/2009	Bradford	
D594,443 S		6/2009	Lee et al.	
D609,701 S	*	2/2010	Hou	D14/240
7,937,127 B1		5/2011	Satoh et al.	
D705,748 S	*	5/2014	He	D14/155
D752,020 S		3/2016	Petersen	
D772,873 S	*	11/2016	Kowal	D14/188
D813,909 S	*	3/2018	Lacy-Nichols	D14/496
D816,051 S		4/2018	Robbins et al.	
D820,240 S		6/2018	Holliday	
D853,994 S		7/2019	Lin	
D873,232 S	*	1/2020	Zeng	D14/155

* cited by examiner

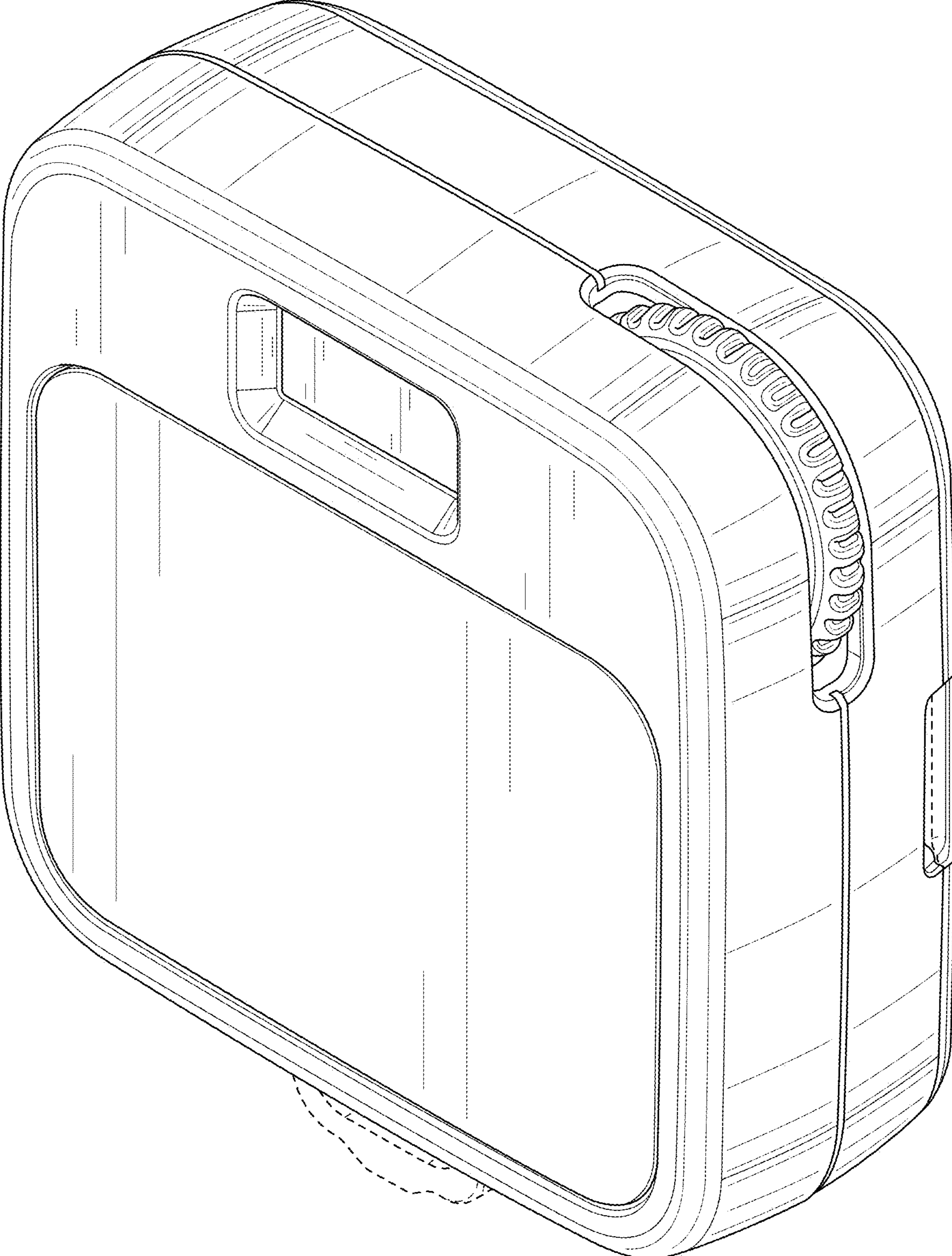


FIG. 1



FIG. 2

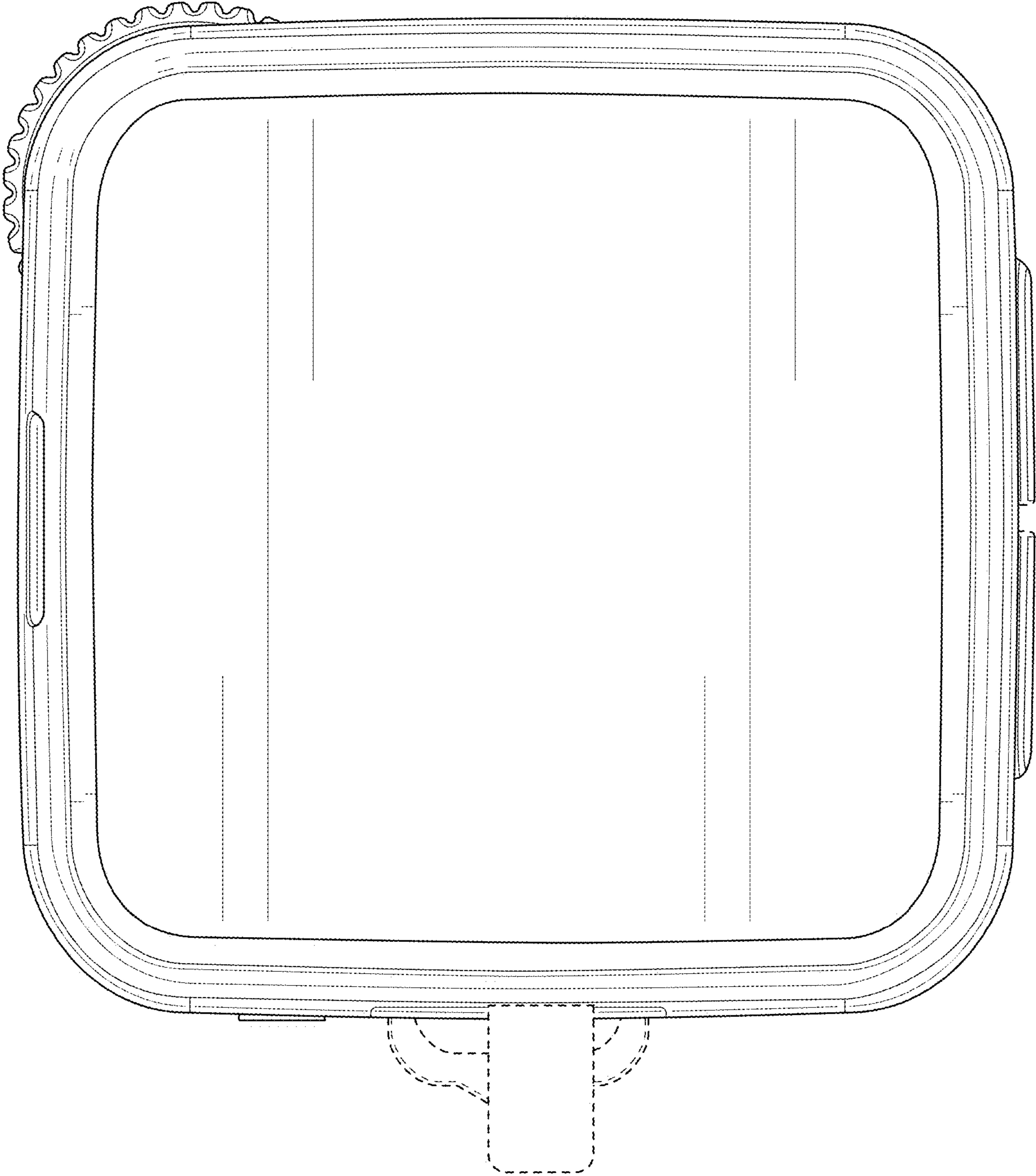


FIG. 3

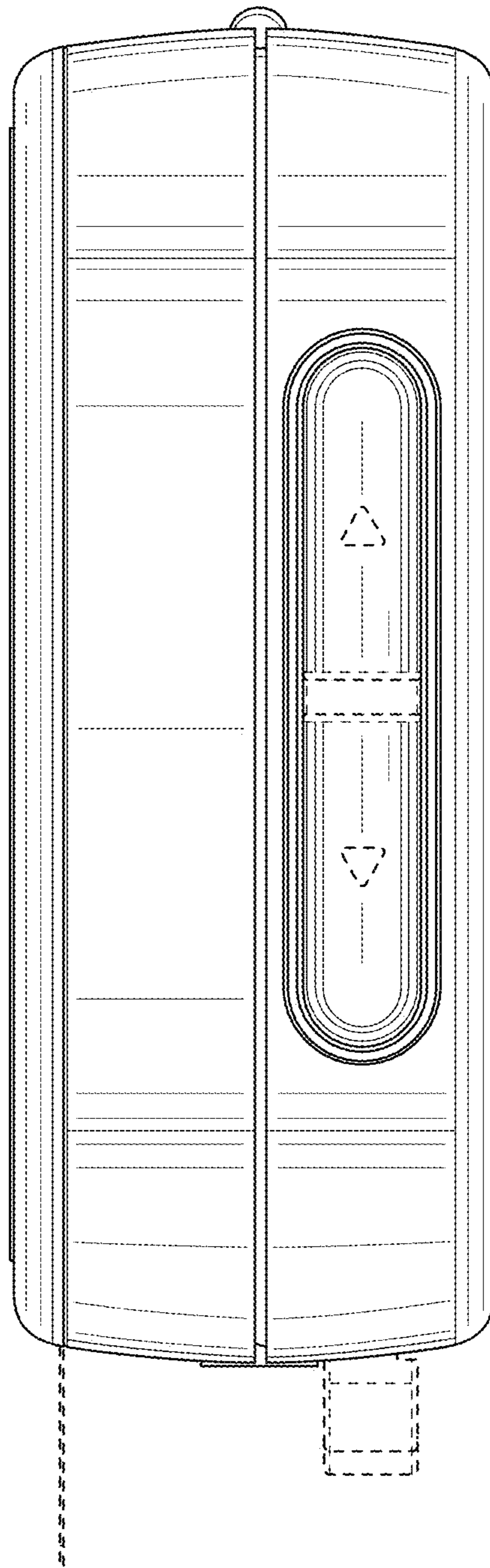


FIG. 4

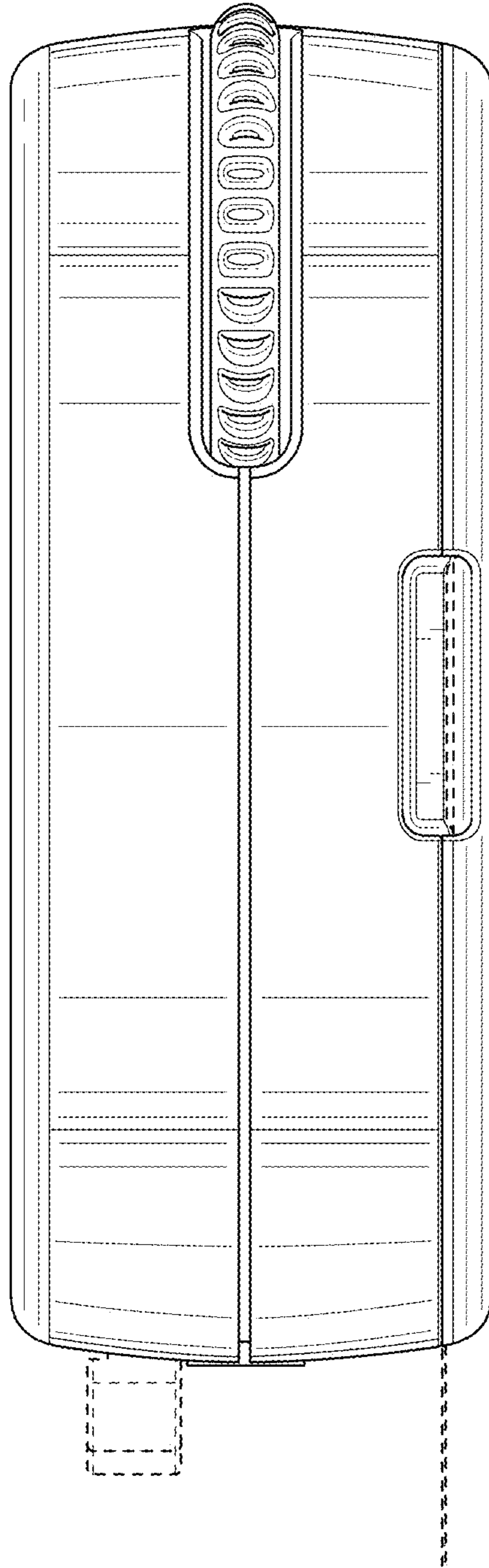


FIG. 5

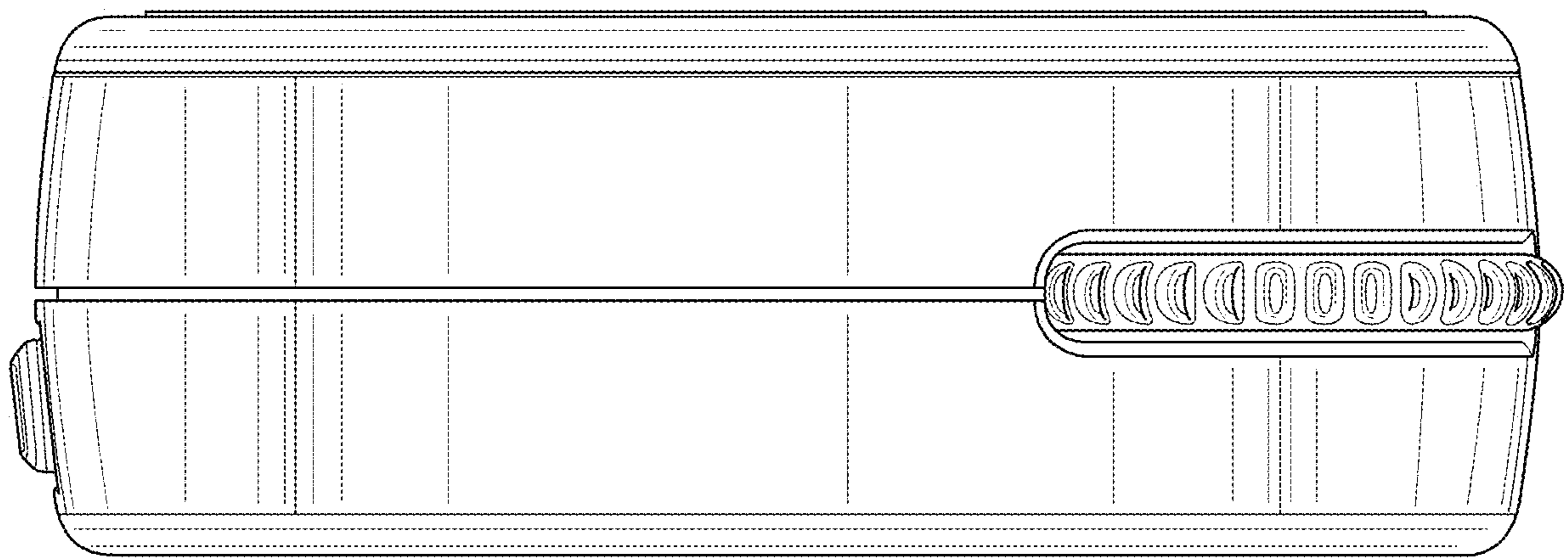


FIG. 6

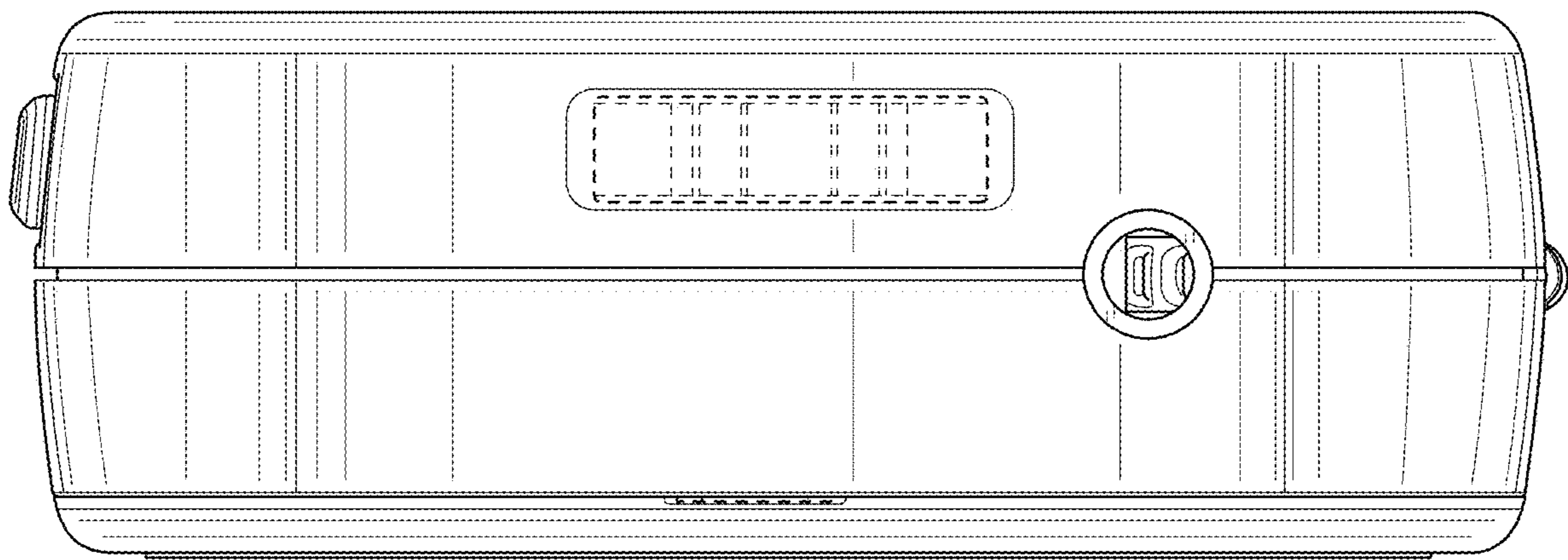


FIG. 7