



US00D893443S

(12) **United States Design Patent**  
**Rodriguez et al.**

(10) **Patent No.:** **US D893,443 S**

(45) **Date of Patent:** **\*\* Aug. 18, 2020**

(54) **SPEAKERPHONE**

(71) Applicant: **Polycom, Inc.**, San Jose, CA (US)

(72) Inventors: **Hector Rodriguez**, Austin, TX (US);  
**Nathan Yang**, Austin, TX (US);  
**Anthony Martin Duys**, Merrimac, MA (US);  
**Yanlin Zhu**, Austin, TX (US);  
**Samuel Alexander Moon**, Austin, TX (US);  
**Nathan Evan Careless**, Cedar Park, TX (US)

(73) Assignee: **Polycom, Inc.**, San Jose, CA (US)

(\*\*) Term: **15 Years**

(21) Appl. No.: **29/664,251**

(22) Filed: **Sep. 24, 2018**

(51) **LOC (12) Cl.** ..... **14-03**

(52) **U.S. Cl.**  
USPC ..... **D14/142; D14/130; D14/150**

(58) **Field of Classification Search**  
USPC ... D14/140, 140.1, 140.7, 140.8, 141.2, 142,  
D14/144, 147, 148, 149, 150, 151, 158,  
(Continued)

(56) **References Cited**

**U.S. PATENT DOCUMENTS**

D280,325 S \* 8/1985 Joffe ..... 379/455  
D289,520 S \* 4/1987 Pushelberg ..... D14/151  
(Continued)

**FOREIGN PATENT DOCUMENTS**

CN 302672211 S 12/2013  
TW D176839 7/2016

**OTHER PUBLICATIONS**

Tehrani, R.; "Grandstream GXV3175 a Solid IP Multimedia Value;"  
Communications and Technology Blog; posted Dec. 13, 2010

[retrieved on Jun. 28, 2018] <http://blog.tmcnet.com/blog/rich-tehrani/ip-communications/grandstream-gvx3175-a-solid-ip-multimedia-value.html>.

(Continued)

*Primary Examiner* — Marie D. Fast Horse  
(74) *Attorney, Agent, or Firm* — Blank Rome, LLP

(57) **CLAIM**

The ornamental design for a speakerphone, as shown and described.

**DESCRIPTION**

FIG. 1 is a perspective view of a first embodiment of a speakerphone, showing our new design having the handset attached to the cradle;

FIG. 2 is another perspective view thereof, having the handset separated from the cradle;

FIG. 3 is an enlarged view of the portion 2-2 indicated in FIG. 2;

FIG. 4 is a front elevational view of the speakerphone of FIG. 1;

FIG. 5 is a rear elevational view thereof;

FIG. 6 is a right side elevational view thereof;

FIG. 7 is a left side elevational view thereof;

FIG. 8 is a top plan view thereof;

FIG. 9 is a bottom plan view thereof;

FIG. 10 is a perspective view of a second embodiment of a speakerphone, showing our new design having the handset attached to the cradle;

FIG. 11 is another perspective view of thereof, having the handset separated from the cradle;

FIG. 12 is a front elevational view of the speakerphone of FIG. 10;

FIG. 13 is a rear elevational view thereof;

FIG. 14 is a right side elevational view thereof;

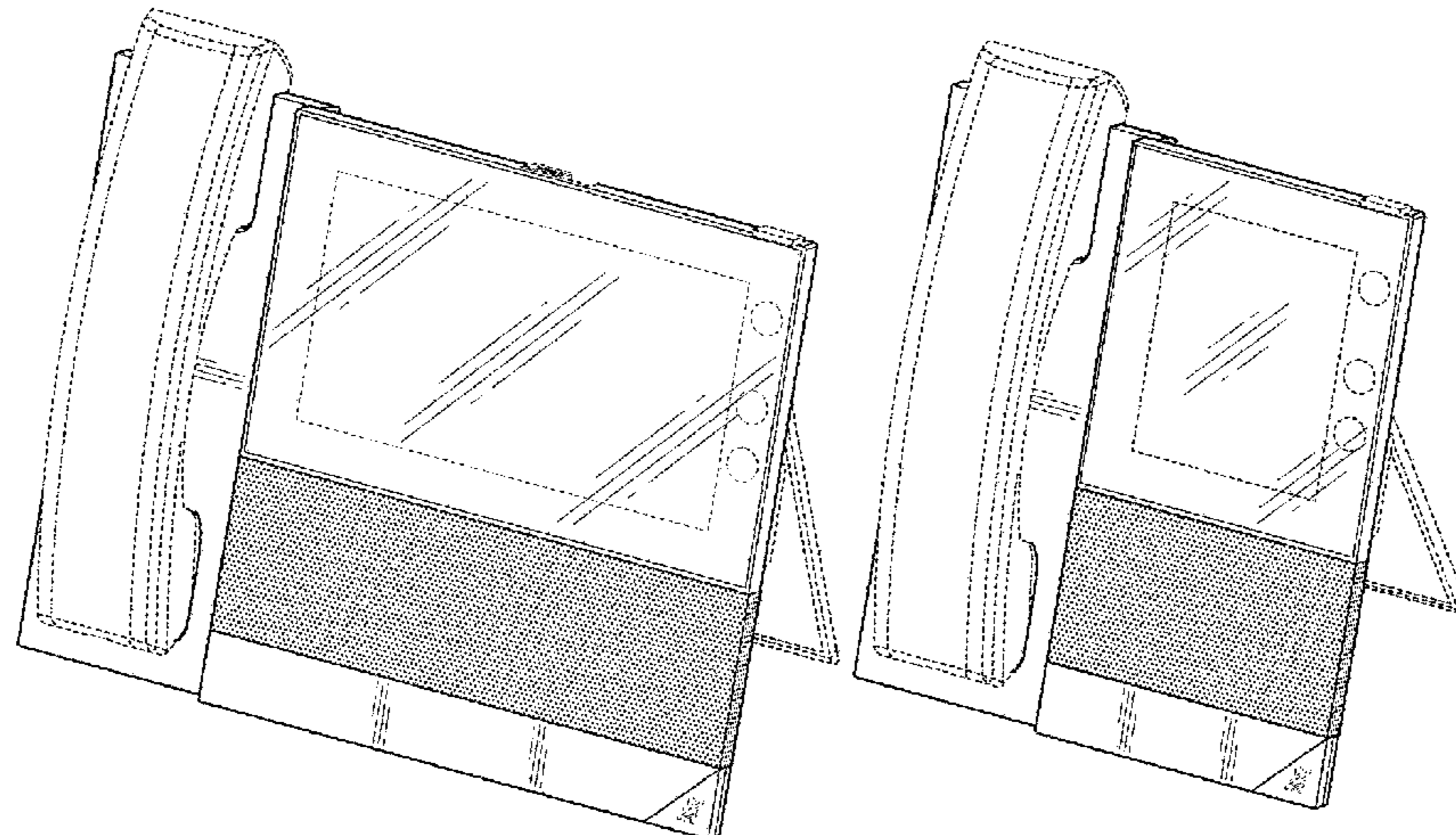
FIG. 15 is a left side elevational view thereof;

FIG. 16 is a top plan view thereof; and,

FIG. 17 is a bottom plan view thereof.

The broken lines consisting of a long dash and two short dashes depict reference to the enlargement shown in FIG. 3 and form no part of the claim.

(Continued)



All other broken lines depict portions of the speakerphone that form no part of the claimed design.

**1 Claim, 17 Drawing Sheets**

(58) **Field of Classification Search**

USPC ..... D14/159, 188, 217, 240, 243, 247, 248,  
D14/251, 299, 329, 462, 467, 471, 130,  
D14/403, 338; D21/517; D24/165  
CPC ..... H04M 1/00; H04M 1/003; H04M 1/02;  
H04M 1/0289; H04M 1/0297; H04M  
1/0214; H04M 1/03; H04M 1/23; H04M  
1/253; H04M 1/2535; H04M 7/006  
See application file for complete search history.

(56) **References Cited**

U.S. PATENT DOCUMENTS

D291,567 S	8/1987	Read et al.	
D293,783 S *	1/1988	Martinez	D14/151
D295,408 S *	4/1988	Boykiw	D14/149
D296,437 S *	6/1988	Martinez	D14/151
D297,535 S *	9/1988	Gagnon	D14/151
D298,131 S *	10/1988	Gagnon	D14/149
D298,429 S *	11/1988	Lopez-Garcia	D14/149
D298,618 S *	11/1988	Martinez	D14/141.1
D299,030 S *	12/1988	Menn	D14/329
D299,456 S *	1/1989	Kuo	D14/151
D301,475 S *	6/1989	Nagele	D14/142
D303,114 S *	8/1989	Danielson	D14/142
D303,522 S *	9/1989	Meda	D14/329
D303,965 S *	10/1989	Helstab	D14/142
D305,537 S *	1/1990	Gilmore	D14/142
D306,023 S *	2/1990	Gagnon	D14/149
D306,295 S *	2/1990	Nagele	379/440
D307,009 S *	4/1990	Boykiw	D14/149
D323,324 S *	1/1992	Suda	D14/125
D323,657 S	2/1992	Danielson et al.	
D324,036 S	2/1992	Wakasa	
D371,345 S *	7/1996	Martino	D14/150
D382,265 S	8/1997	Bradley et al.	
D382,266 S	8/1997	Wakefield	
D410,229 S	5/1999	Chiocchi	
D411,987 S *	7/1999	Mizusugi	D14/130
D419,997 S	2/2000	Montalbo et al.	
D421,606 S	3/2000	Montalbo et al.	
D449,285 S	10/2001	Wakefield et al.	
D449,286 S	10/2001	Wakefield et al.	
D463,389 S *	9/2002	Stafford-Fraser	D14/329
D478,560 S	8/2003	Misrahi et al.	
D479,517 S	9/2003	Weidinger	
D480,059 S	9/2003	Misrahi et al.	
D499,711 S *	12/2004	Baswell	D14/151
D529,477 S *	10/2006	Hsu	D14/151
D552,071 S	10/2007	Park et al.	
D556,180 S *	11/2007	Udagawa	D14/149
D571,776 S	6/2008	Duys et al.	
D571,777 S *	6/2008	Waterman	D14/151
D576,998 S *	9/2008	Furuno	D14/151
D581,897 S *	12/2008	Katori	D14/151
D585,397 S	1/2009	Hwang	
D596,598 S *	7/2009	Huang	D14/130
D597,057 S *	7/2009	Sheppard	D14/142

D597,058 S *	7/2009	Sheppard	D14/142
D598,002 S *	8/2009	Sheppard	D14/142
D604,258 S	11/2009	Rinaldi et al.	
D615,066 S	5/2010	Huang et al.	
D616,843 S *	6/2010	Jones	D14/130
D620,464 S	7/2010	Quiros et al.	
D620,472 S	7/2010	Robinson et al.	
D629,381 S	12/2010	Verthein et al.	
D635,955 S	4/2011	Corrigan et al.	
D636,769 S	4/2011	Wood et al.	
D637,985 S *	5/2011	Andresen	D14/126
D646,258 S *	10/2011	Van Der Flier	D14/130
D652,816 S *	1/2012	Compoginis	D14/151
D653,646 S	2/2012	Hovdal	
D654,074 S	2/2012	Wood et al.	
D657,773 S	4/2012	Corsini et al.	
D658,616 S	5/2012	Van Der Flier et al.	
D658,627 S	5/2012	Katori	
D661,266 S *	6/2012	Laube	D14/126
D668,901 S	10/2012	Jones et al.	
D675,196 S *	1/2013	Maddern	D14/240
D675,592 S	2/2013	Fuxen	
D686,183 S *	7/2013	Basart	D14/151
D686,184 S	7/2013	Takahata et al.	
D714,258 S	9/2014	Montague et al.	
D718,730 S *	12/2014	Andresen	D14/126
D723,502 S *	3/2015	Chun	D14/130
D723,503 S *	3/2015	Jeon	D14/130
D725,623 S	3/2015	Hartmann et al.	
D733,675 S *	7/2015	Jeon	D14/151
D738,845 S *	9/2015	Kwak	D14/151
D742,849 S *	11/2015	Moon	D14/140.8
D744,464 S	12/2015	Snyder et al.	
D753,624 S *	4/2016	Ji	D14/151
D757,677 S	5/2016	Hutt et al.	
D760,201 S	6/2016	Tompkin et al.	
D763,219 S	8/2016	Engelke et al.	
D771,005 S *	11/2016	Tani	D14/142
D783,569 S *	4/2017	Kwak	D14/151
D784,283 S	4/2017	Snyder et al.	
D784,285 S *	4/2017	Jeon	D14/151
D788,725 S *	6/2017	Tompkin	D14/127
D794,596 S	8/2017	Holm et al.	
D797,698 S *	9/2017	Kwak	D14/151
9,762,709 B1 *	9/2017	Snyder	H04M 1/02
D851,617 S *	6/2019	Rodriguez	D14/151
D852,770 S *	7/2019	Baskett	D14/151
D874,422 S *	2/2020	Yang	D14/150
2009/0309002 A1 *	12/2009	Shimotoso	H04M 1/0297 248/397

OTHER PUBLICATIONS

Taiwanese Allowance and Search Report received in co-pending TW Application No. 108301459 dated Jan. 10, 2020, 5 pages (with translation).  
Notice of Allowance-Search Report received in copending Taiwanese DIV Application No. 108307792 dated Apr. 7, 2020, 5 pages (with translation).  
Notice of Allowance-Search Report received in copending Taiwanese DIV Application No. 108307793 dated Apr. 7, 2020, 5 pages (with translation).  
Notice of Allowance-Search Report received in copending Taiwanese DIV Application No. 108307794 dated Apr. 8, 2020, 5 pages (with translation).

\* cited by examiner

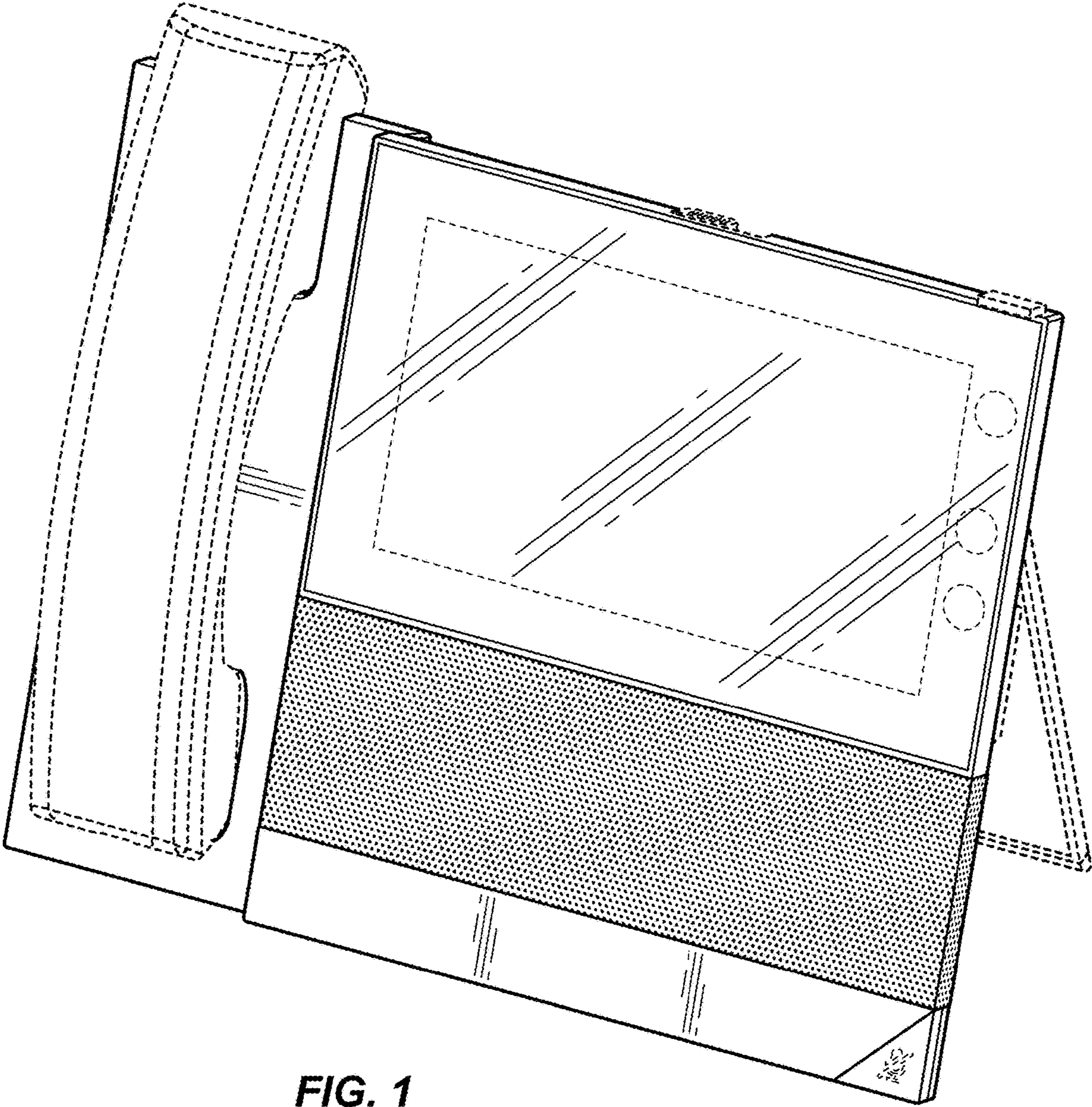


FIG. 1

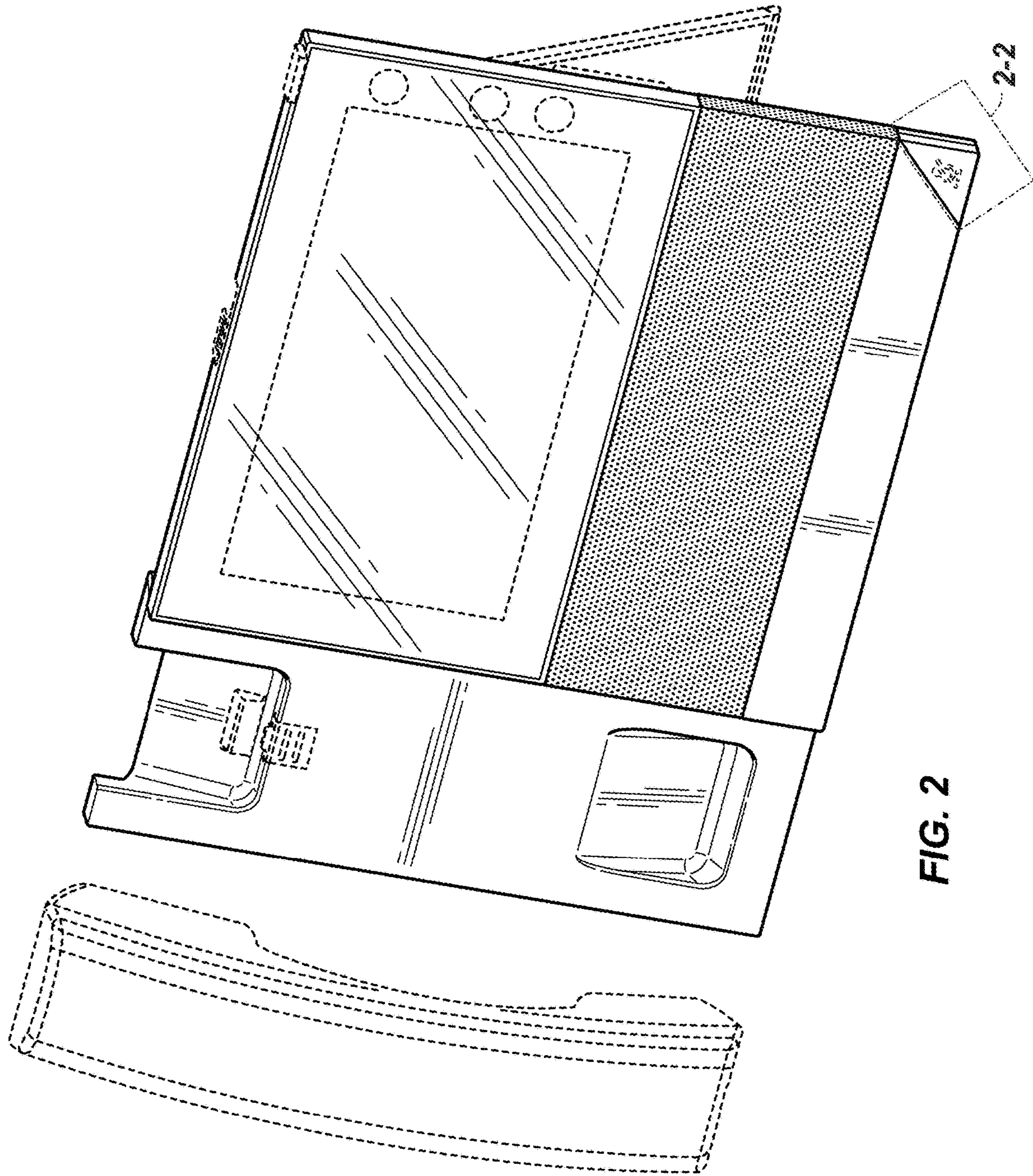
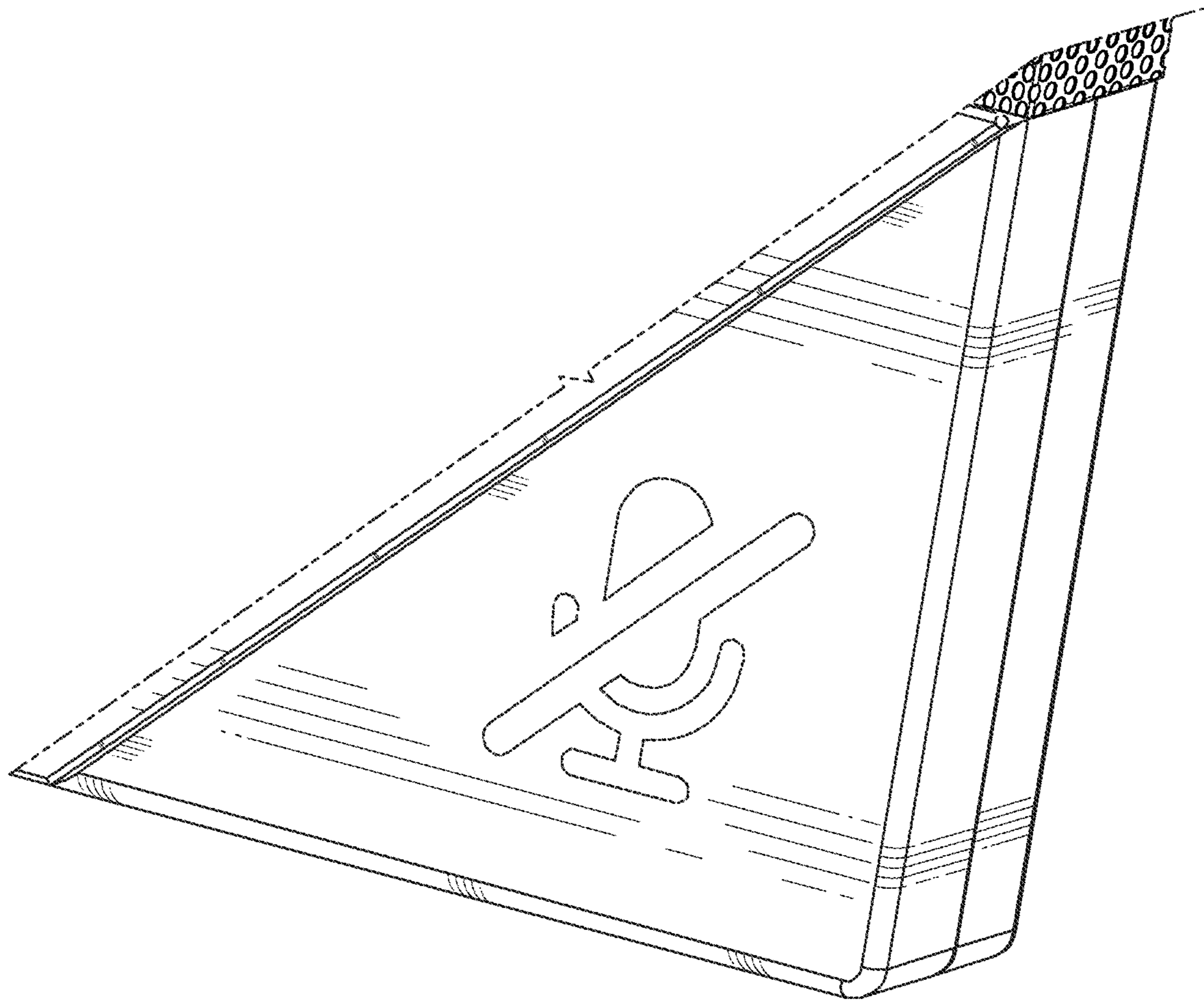
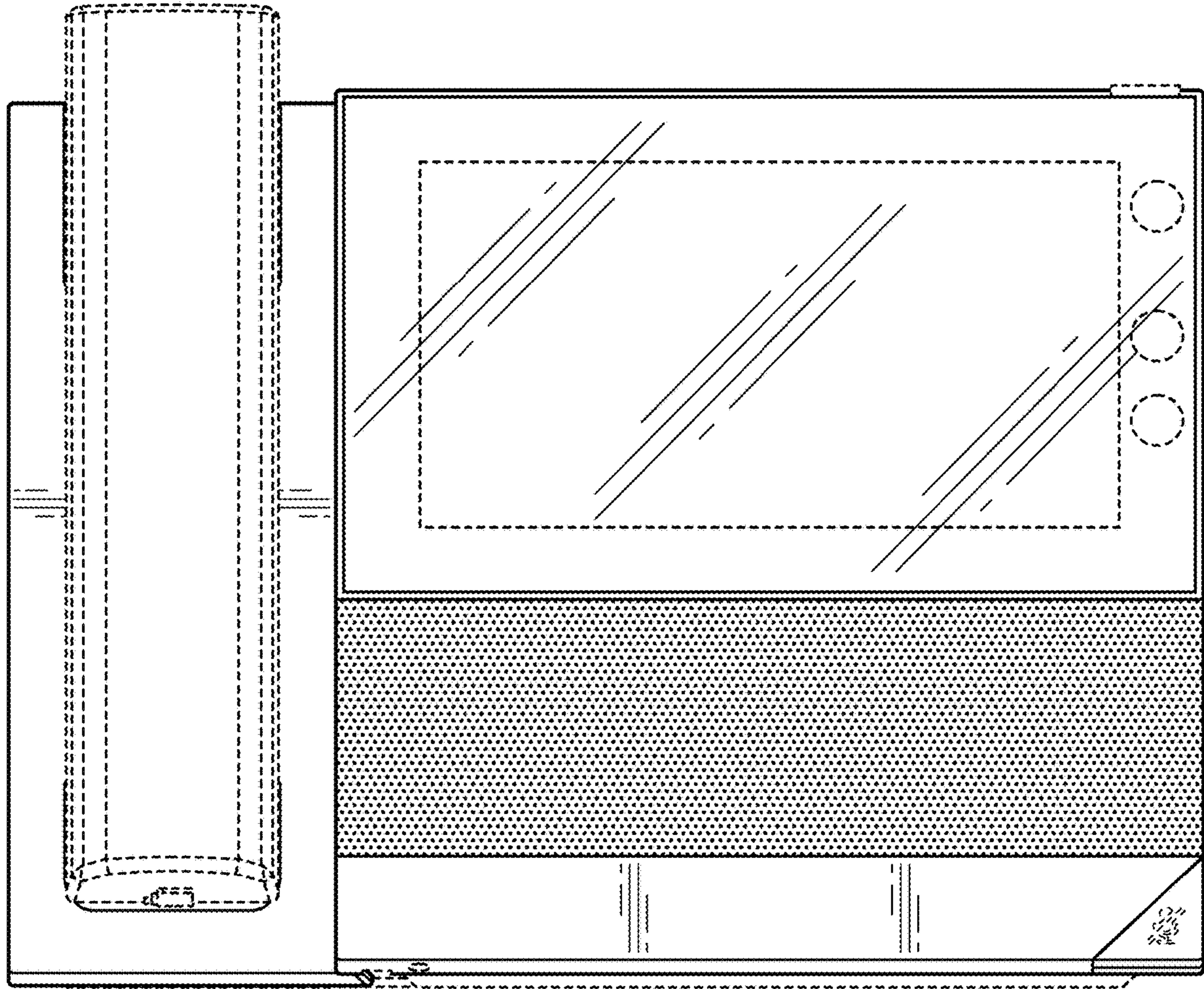


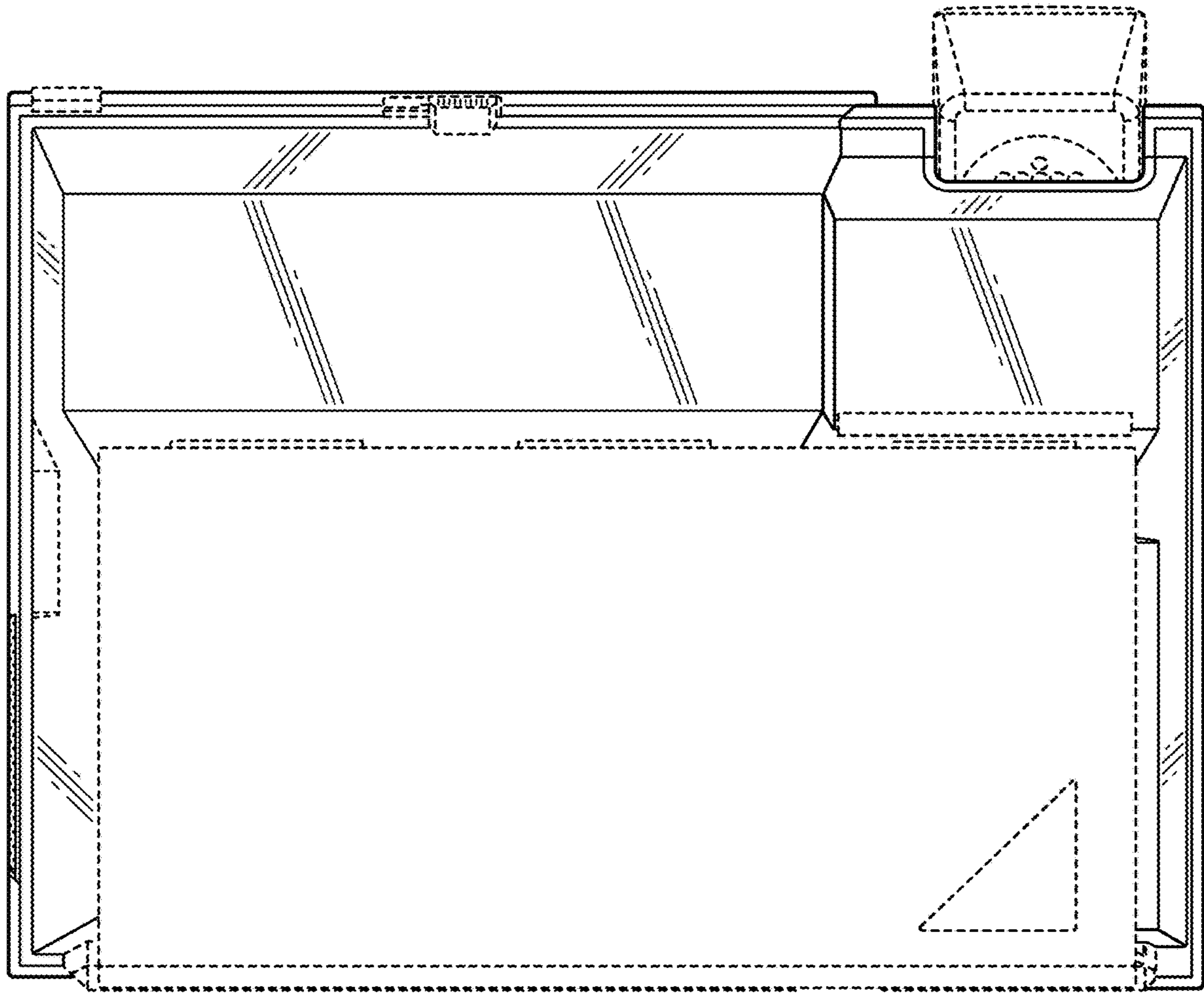
FIG. 2



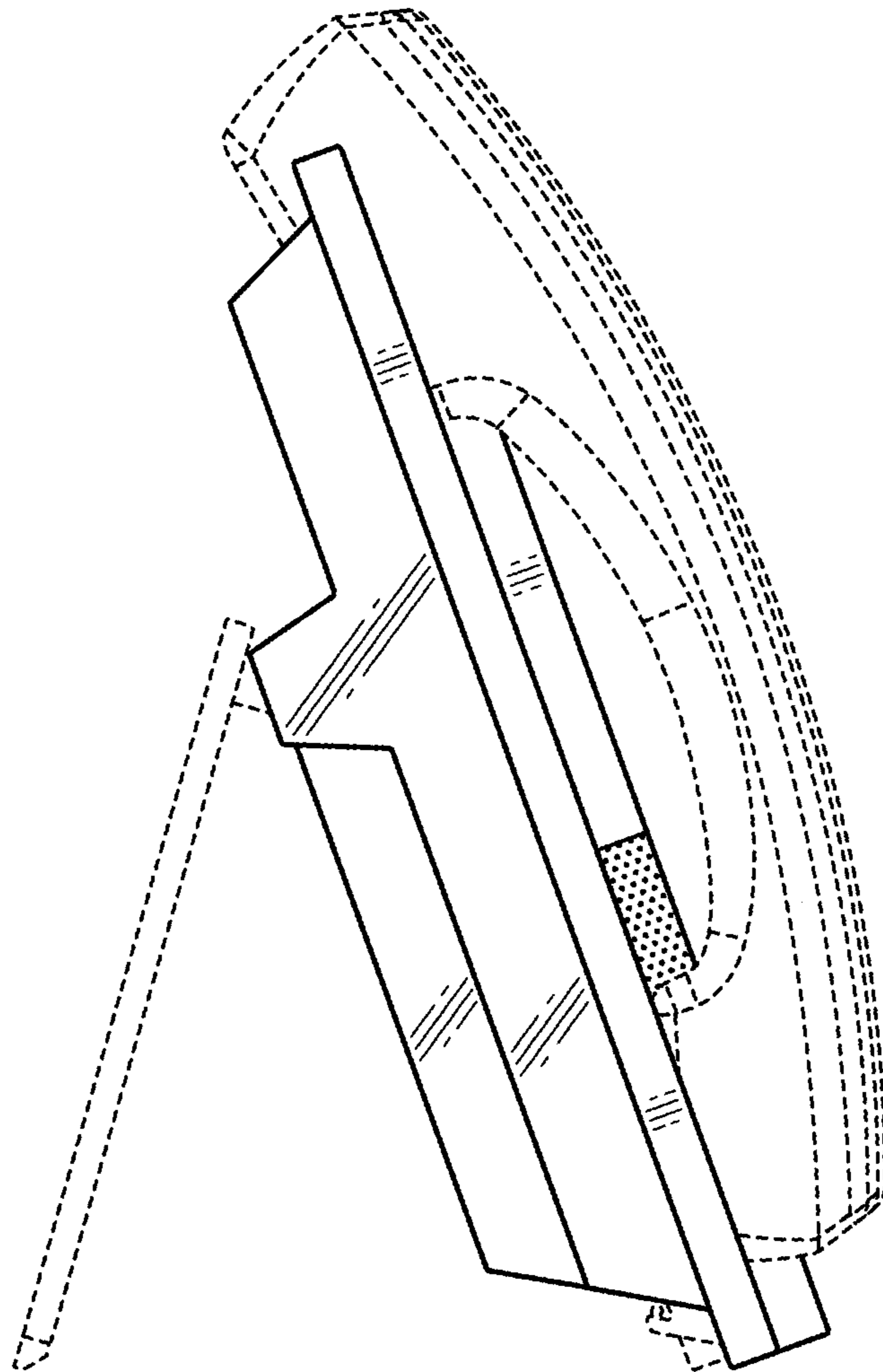
**FIG. 3**



**FIG. 4**



**FIG. 5**



**FIG. 6**



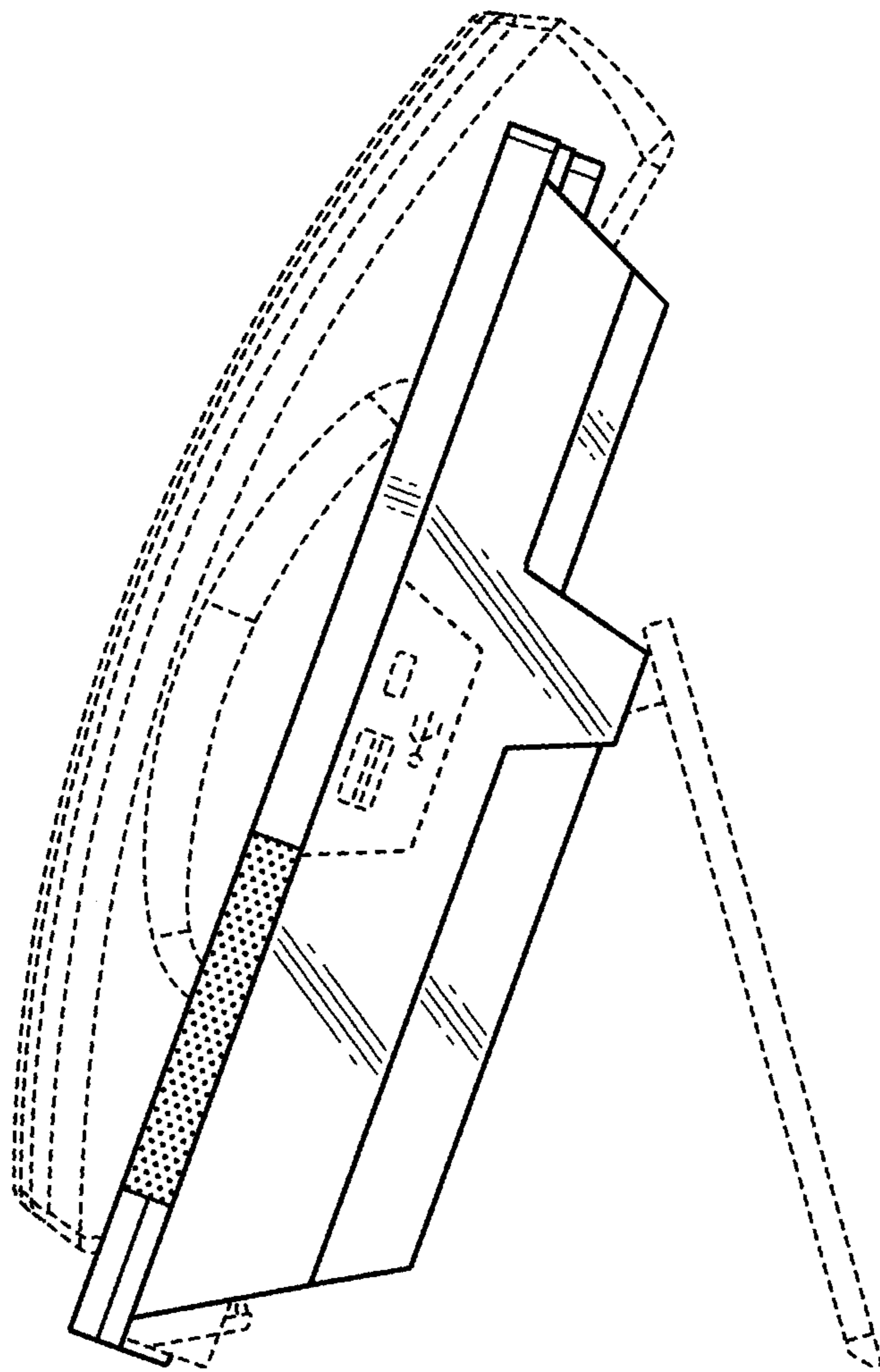
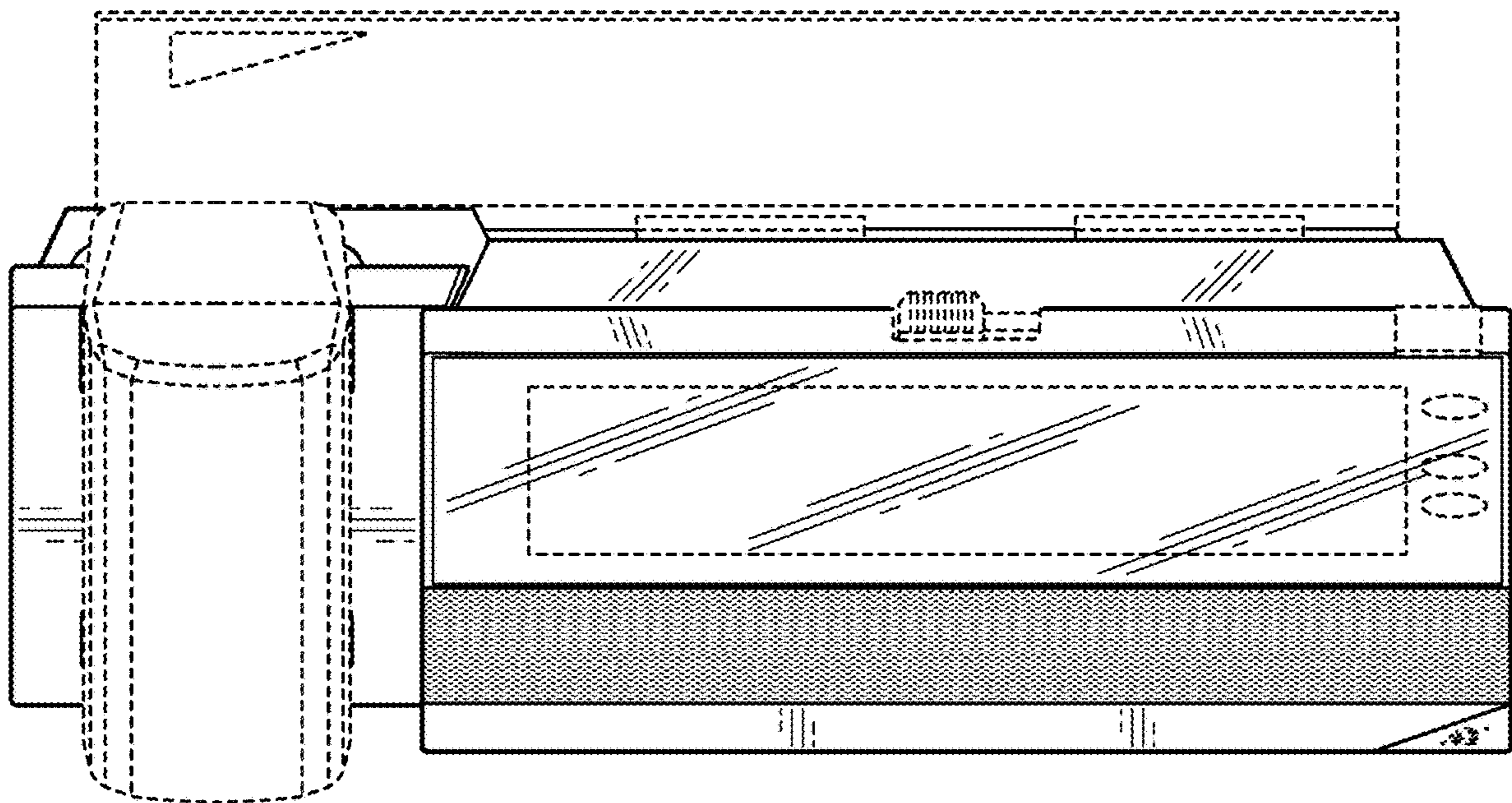
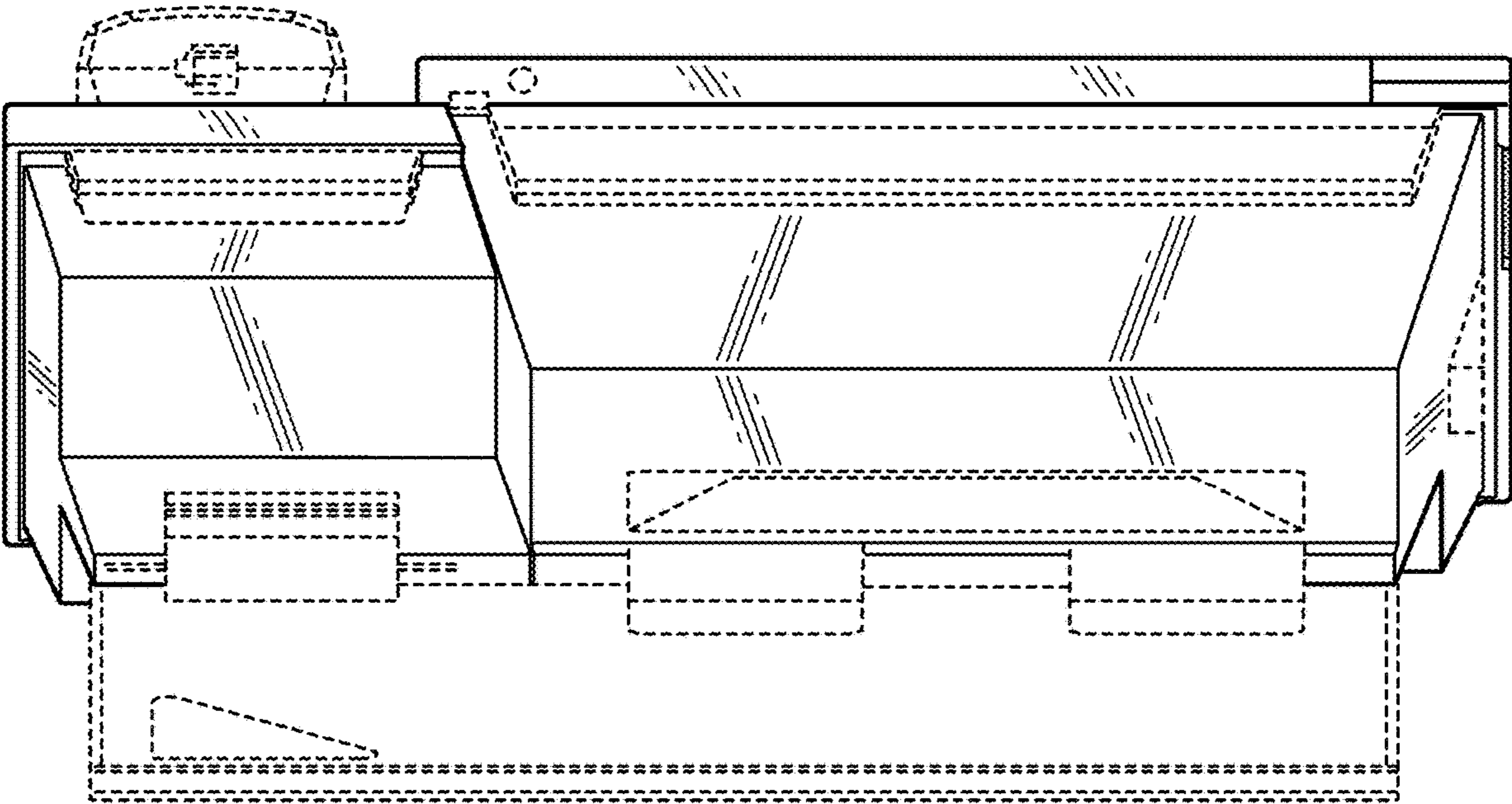


FIG. 7



**FIG. 8**



**FIG. 9**

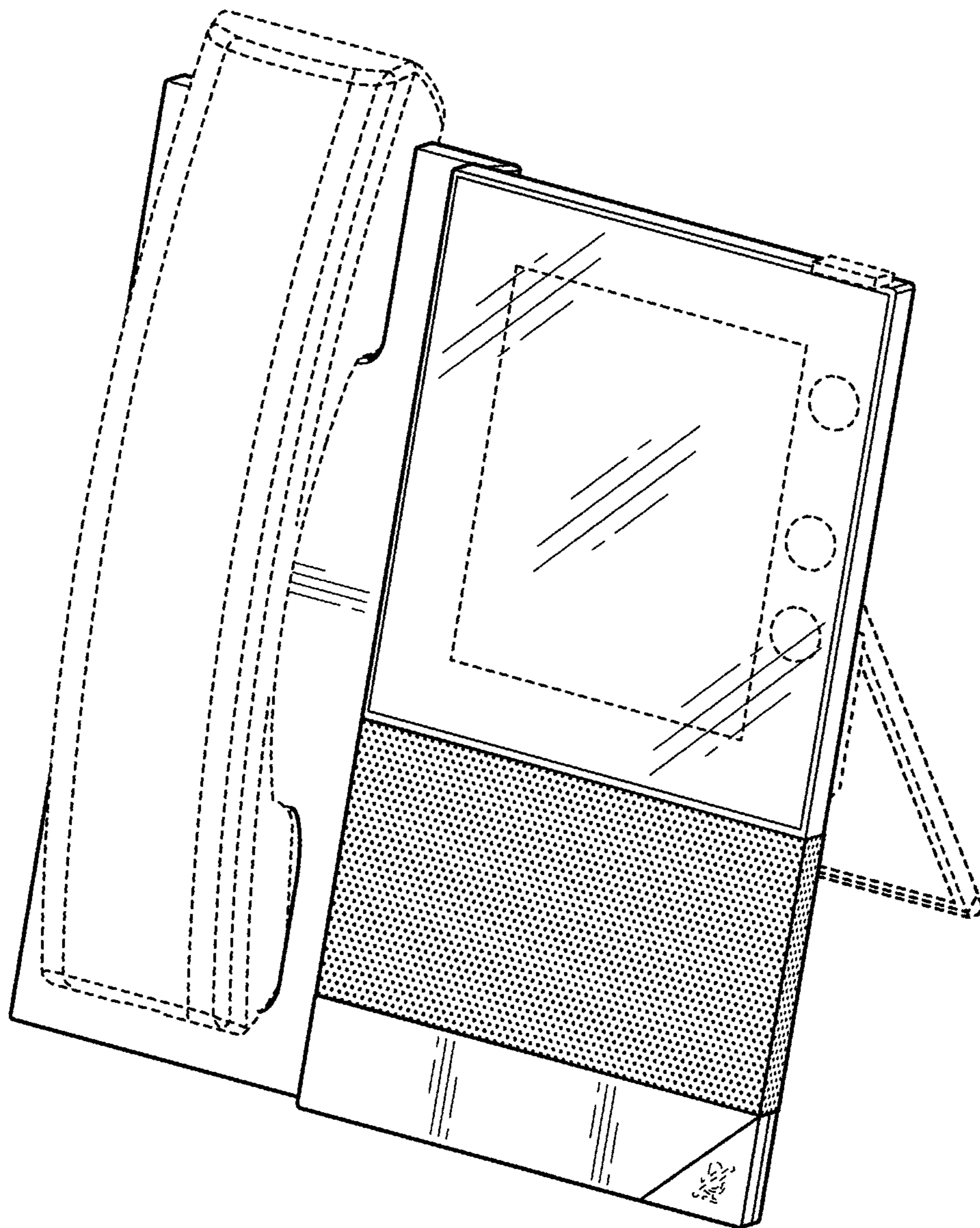


FIG. 10

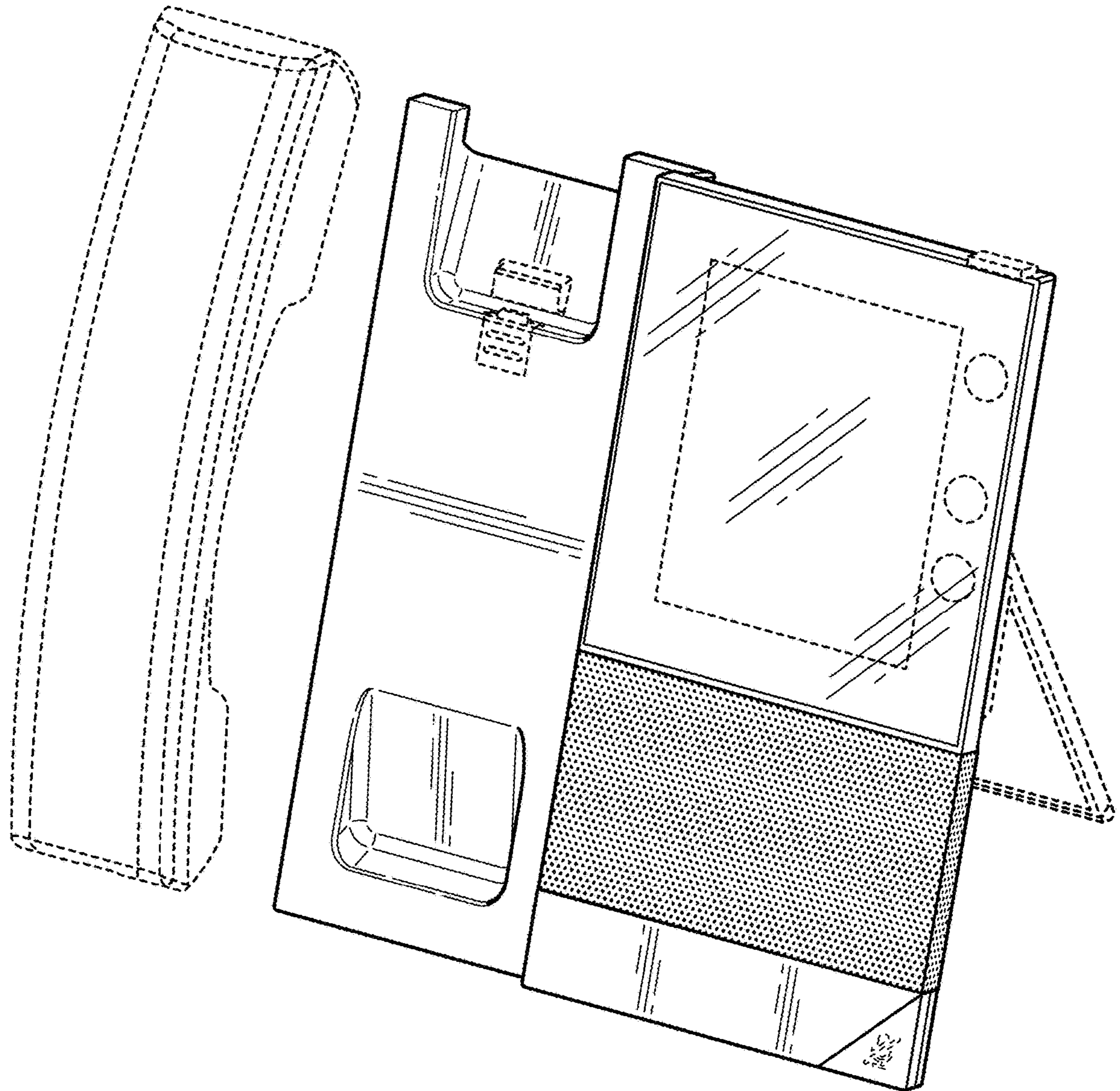
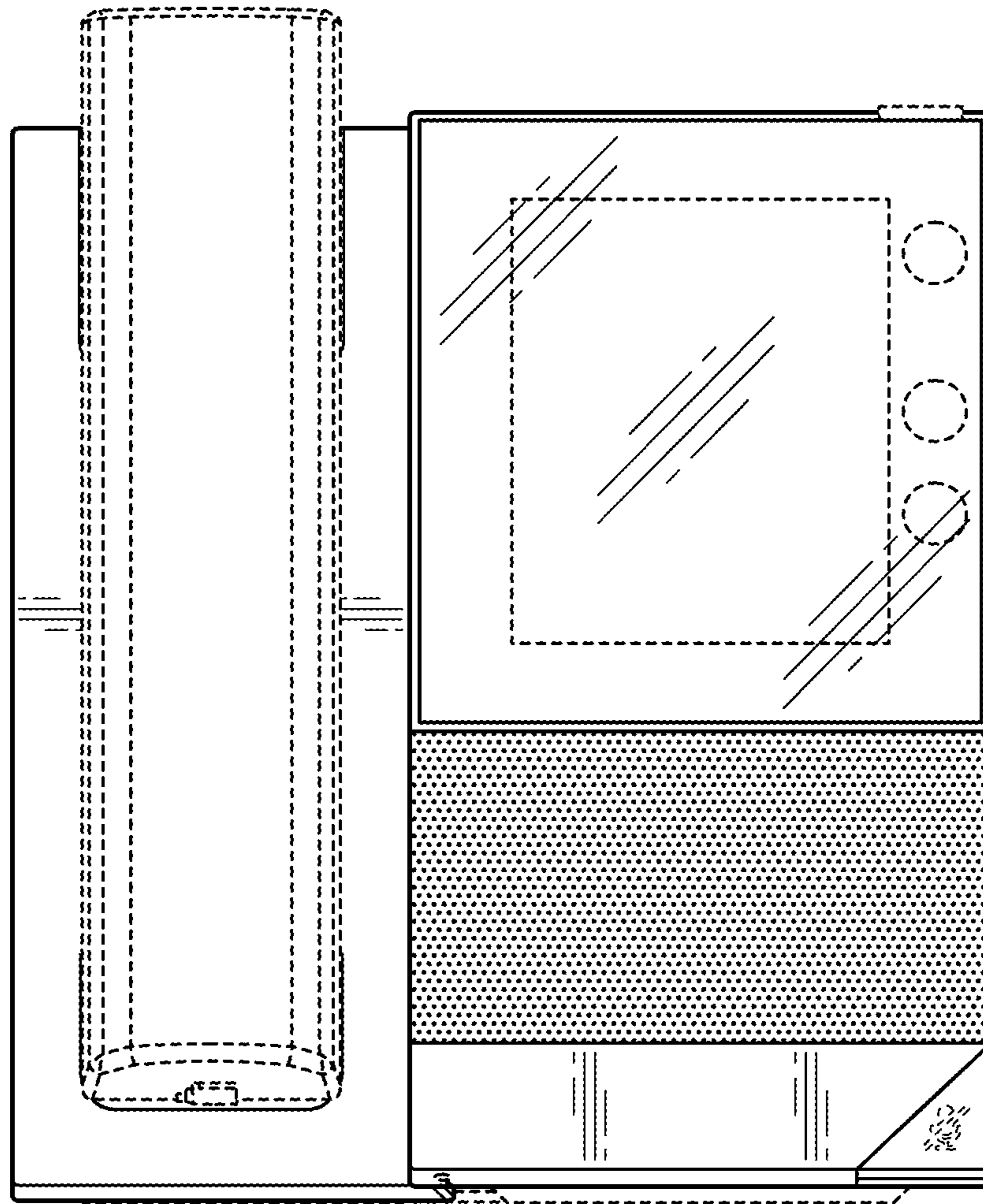
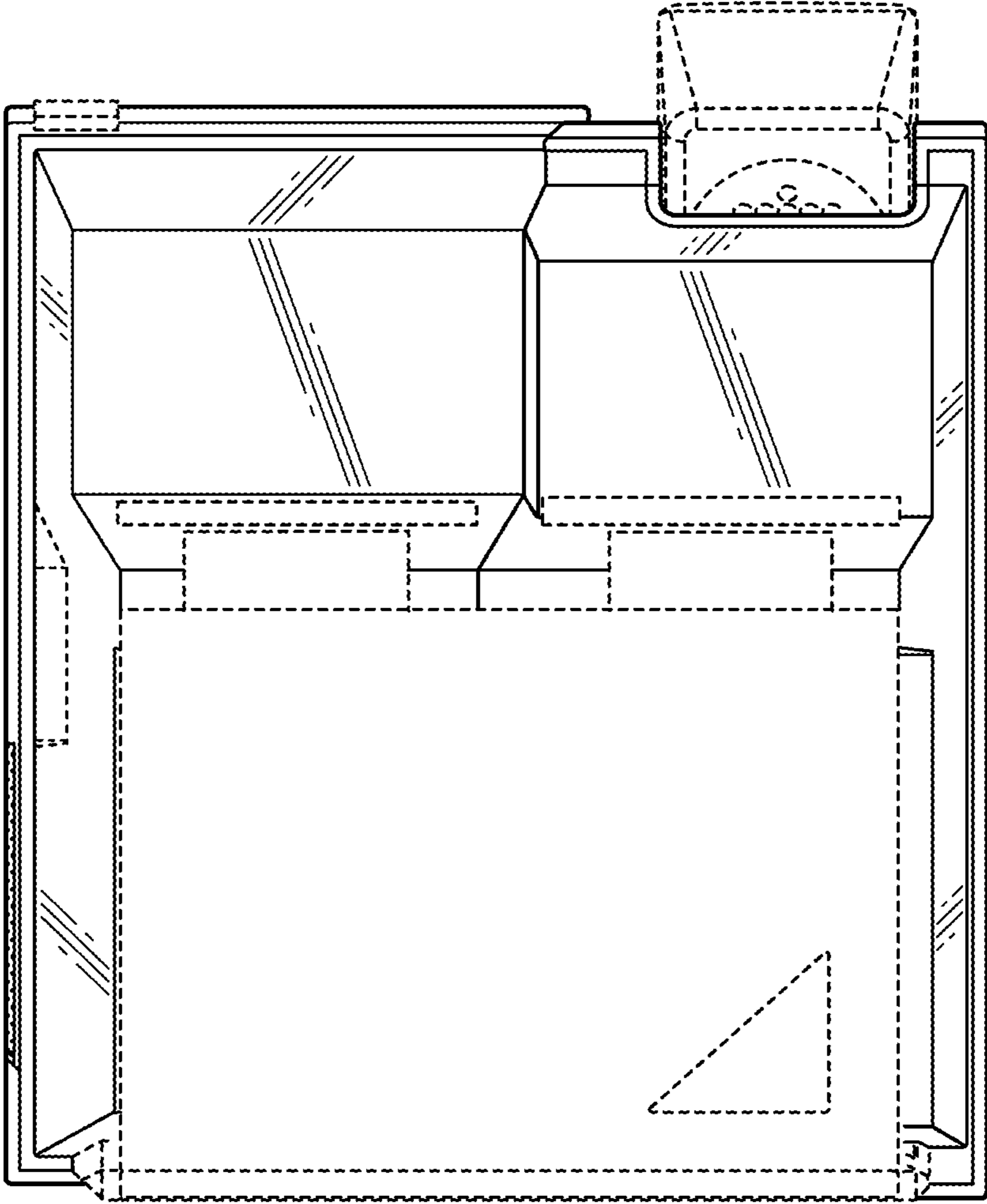


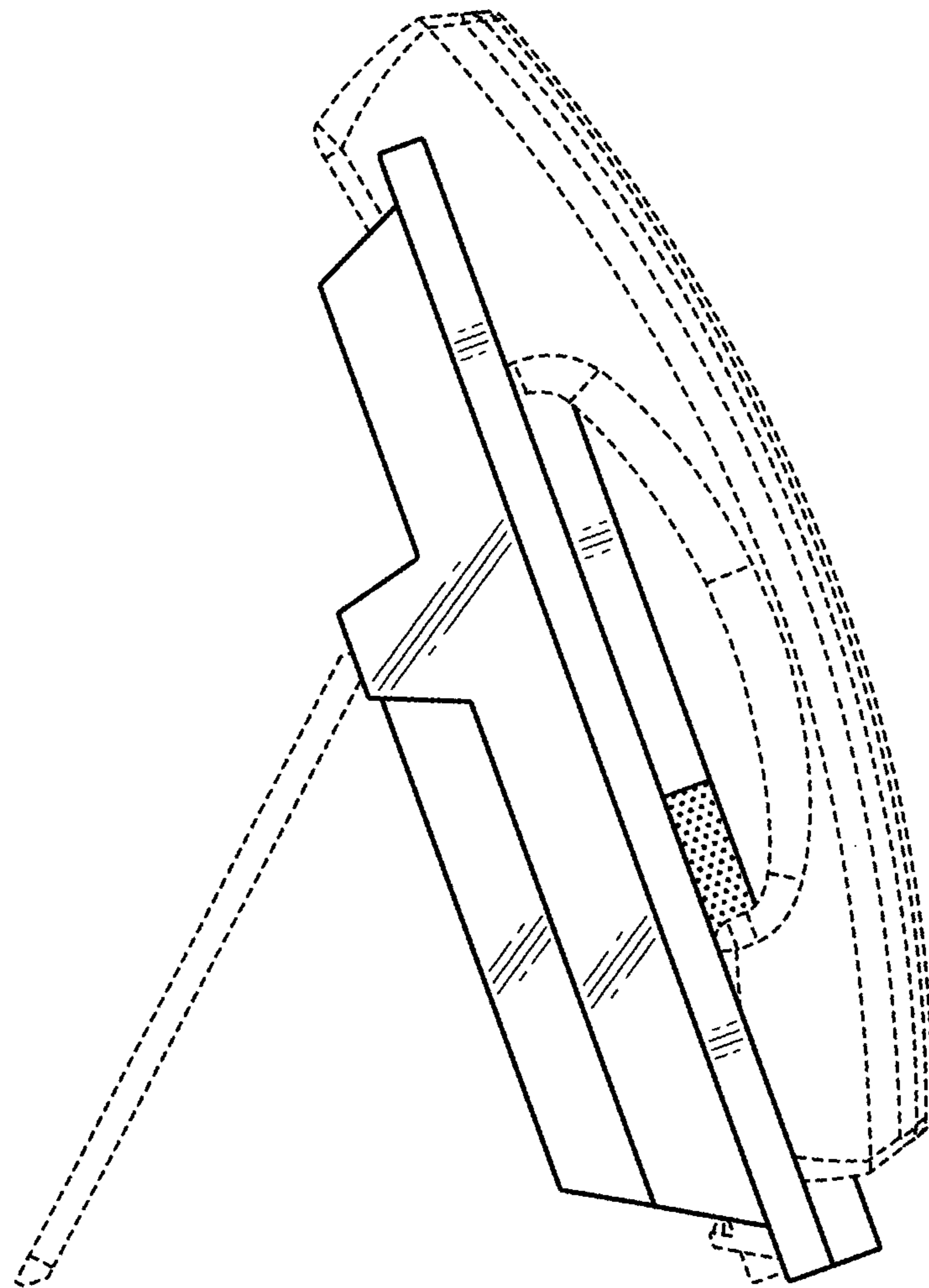
FIG. 11



**FIG. 12**

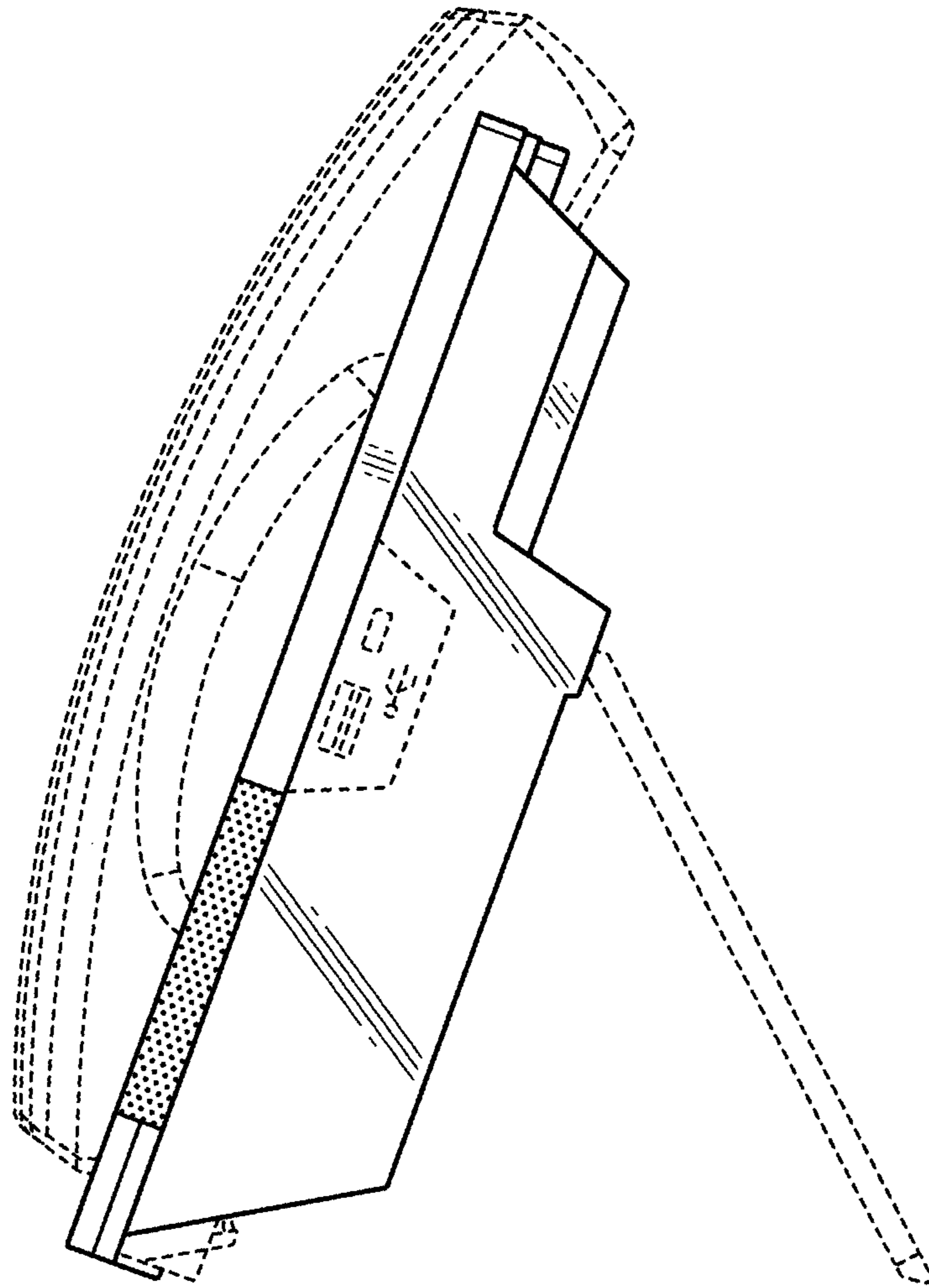


**FIG. 13**

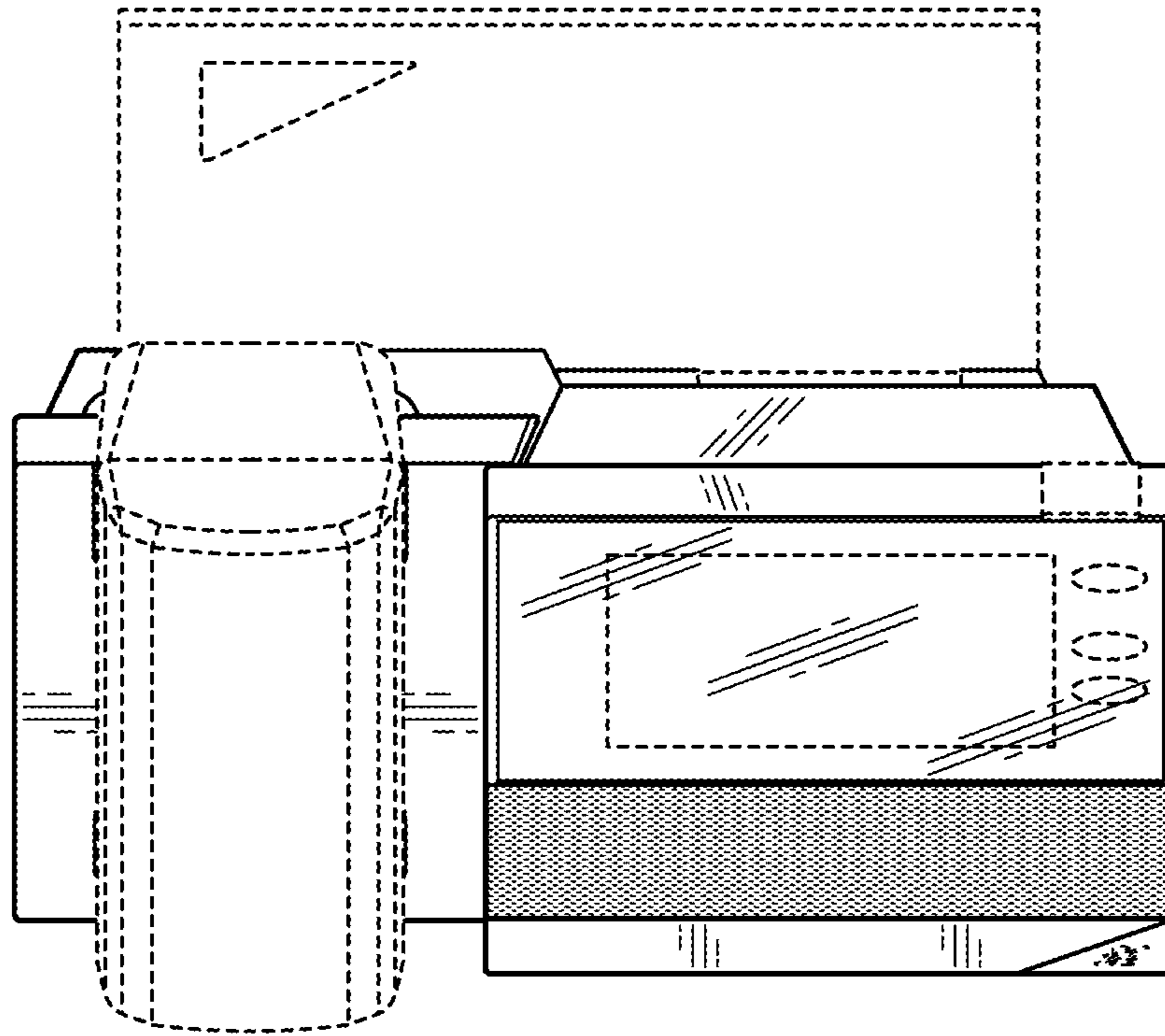


**FIG. 14**

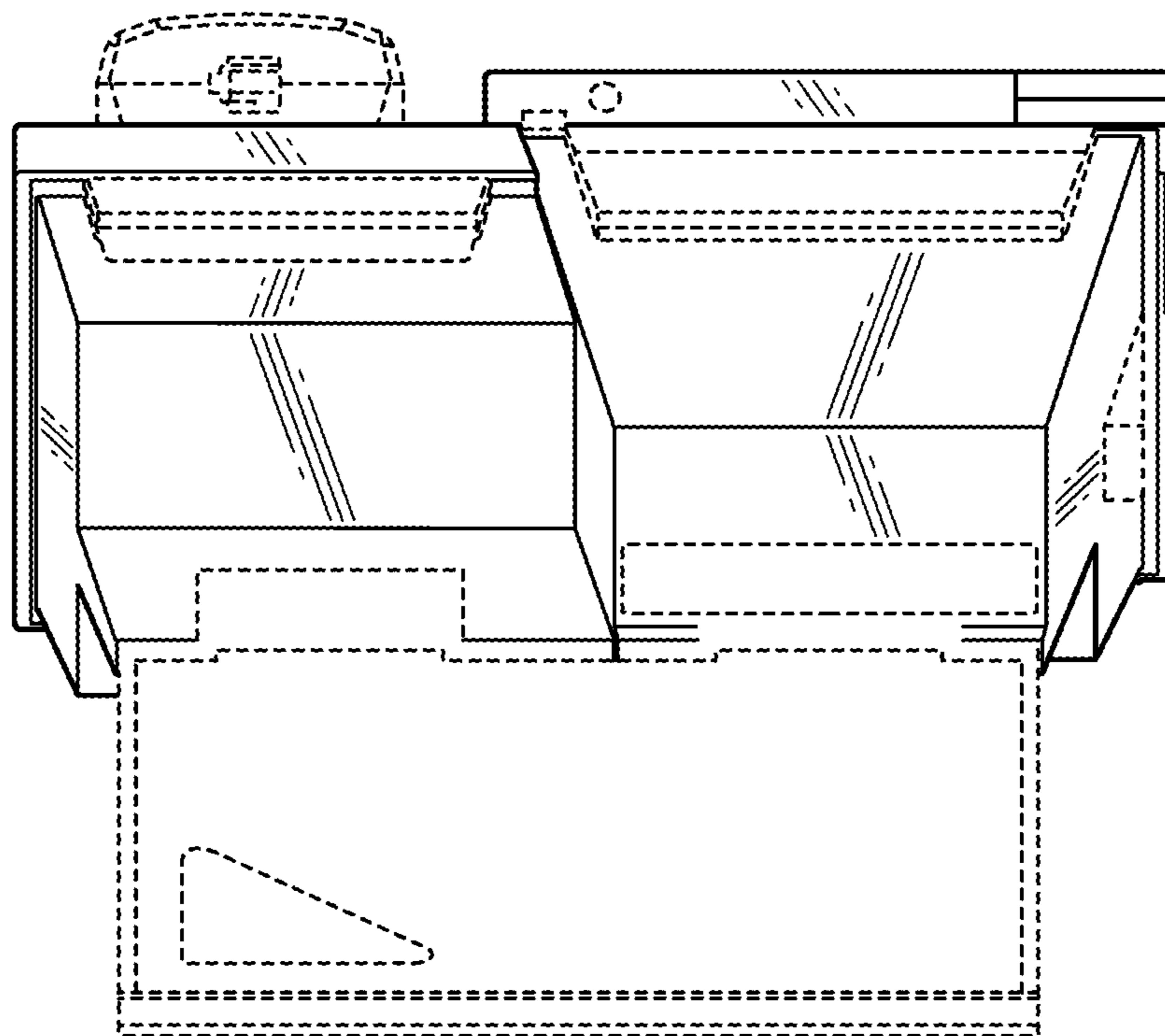




**FIG. 15**



**FIG. 16**



**FIG. 17**