



US00D893440S

(12) **United States Design Patent** (10) **Patent No.:** **US D893,440 S**  
**Krivosnak et al.** (45) **Date of Patent:** **\*\* Aug. 18, 2020**

(54) **ELECTRONICS ENCLOSURE**

(56) **References Cited**

(71) Applicant: **Transportation IP Holdings, LLC**,  
Norwalk, CT (US)  
  
(72) Inventors: **Andrew Louis Krivosnak**, Erie, PA  
(US); **Shreenath Shekar Perlaguri**,  
Bangalore (IN); **Brian Magann Rush**,  
Niskayuna, NY (US); **Rajendra**  
**Yammanuru**, Bangalore (IN); **Michael**  
**Grutkowski**, Erie, PA (US); **Naveenan**  
**Thiagarajan**, Latham, NY (US);  
**Arunpandi Radhakrishnan**, Bangalore  
(IN)  
  
(73) Assignee: **TRANSPORTATION IP HOLDINGS,**  
**LLC**, Norwalk, CT (US)  
  
(\*\*) Term: **15 Years**

U.S. PATENT DOCUMENTS

D465,465	S	*	11/2002	Chapman	.....	D13/184
D747,683	S	*	1/2016	Krivosnak	.....	D13/110
D777,665	S	*	1/2017	Krivosnak	.....	D13/110
D777,666	S	*	1/2017	Krivosnak	.....	D13/110
D802,582	S	*	11/2017	Krivosnak	.....	D14/308
D805,473	S	*	12/2017	Montgomery	.....	D13/110
D843,996	S	*	3/2019	Krivosnak	.....	D14/300
D853,331	S	*	7/2019	Bradley	.....	D13/122
D854,499	S	*	7/2019	Lilja	.....	D13/123
D873,228	S	*	1/2020	Krivosnak	.....	D13/184
2007/0081306	A1	*	4/2007	Wong	.....	G06F 1/20 361/695
2017/0112018	A1		4/2017	Krivosnak et al.		
2017/0112020	A1		4/2017	Krivosnak et al.		
2017/0318710	A1	*	11/2017	De Bock	.....	H05K 7/20336
2018/0049307	A1		2/2018	de Bock et al.		

\* cited by examiner

*Primary Examiner* — Keli L Hill  
*Assistant Examiner* — Harold E Blackwell, II  
(74) *Attorney, Agent, or Firm* — McCoy Russell LLP

(21) Appl. No.: **29/714,925**

(22) Filed: **Nov. 26, 2019**

**Related U.S. Application Data**

(62) Division of application No. 29/574,118, filed on Aug. 12, 2016, now Pat. No. Des. 873,228.

(51) **LOC (12) Cl.** ..... **13-03**

(52) **U.S. Cl.**  
USPC ..... **D13/184**

(58) **Field of Classification Search**  
USPC ..... D13/123, 158, 162, 184, 199, 110, 124,  
D13/137.1  
CPC . G06F 1/20; G06F 1/181; G06F 1/187; G06F  
1/183; G06F 1/184; G06F 1/16; H05K  
7/16; H05K 7/1424; H05K 7/1409; H05K  
7/20; H05K 7/20545; H05K 7/20727;  
H05K 7/1425

See application file for complete search history.

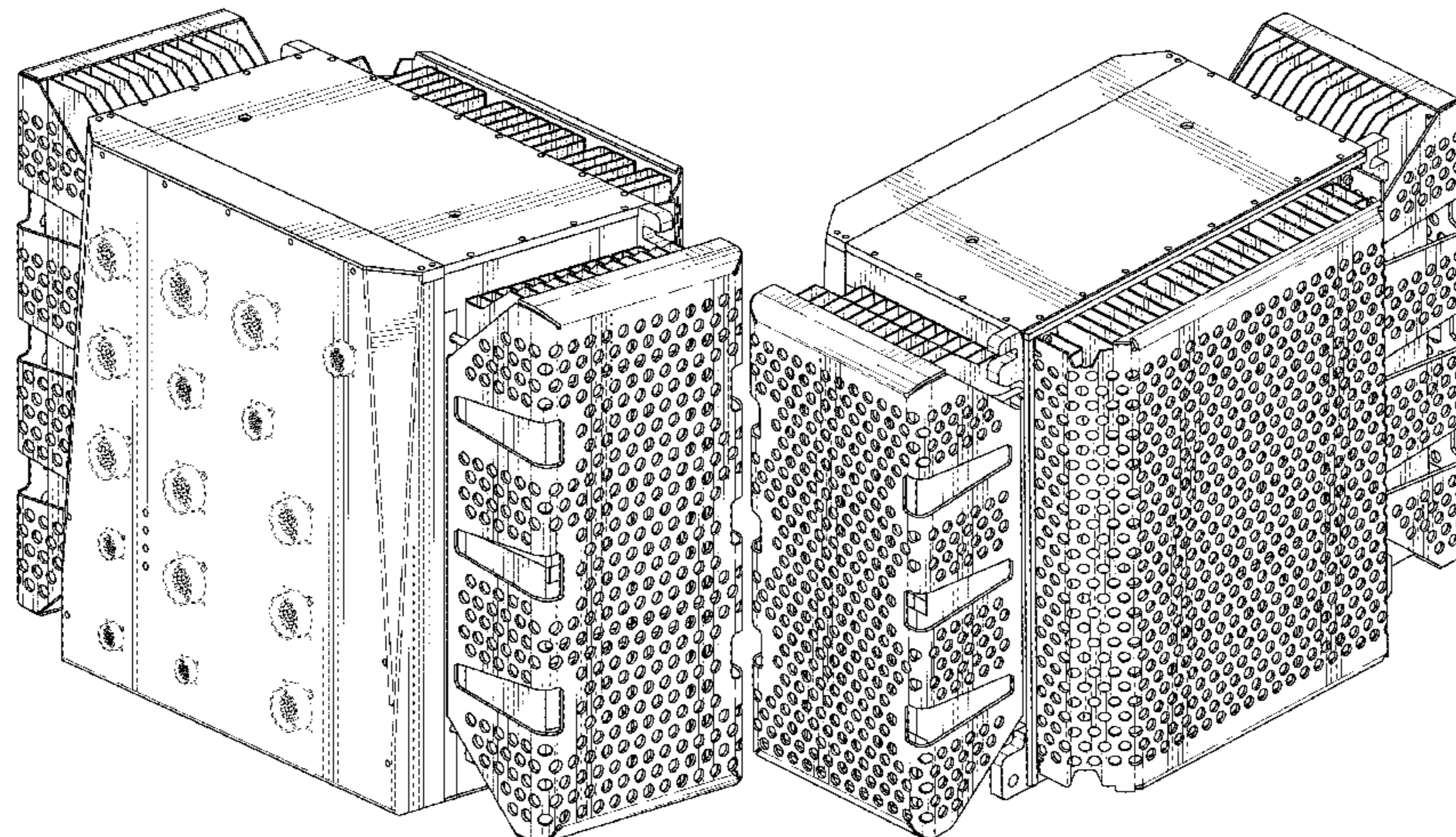
(57) **CLAIM**

The ornamental design for an electronics enclosure, as shown and described.

**DESCRIPTION**

FIG. 1 is a perspective view of an electronics enclosure depicting a new design;  
FIG. 2 is a front view thereof;  
FIG. 3 is a back view thereof;  
FIG. 4 is a side view thereof;  
FIG. 5 is an opposite side view thereof;  
FIG. 6 is a top plan view thereof;  
FIG. 7 is a bottom plan view thereof; and,  
FIG. 8 is an additional perspective view thereof.

(Continued)



The broken line portion of the figure drawings is included to show unclaimed subject matter only and forms no part of the claimed design.

**1 Claim, 8 Drawing Sheets**

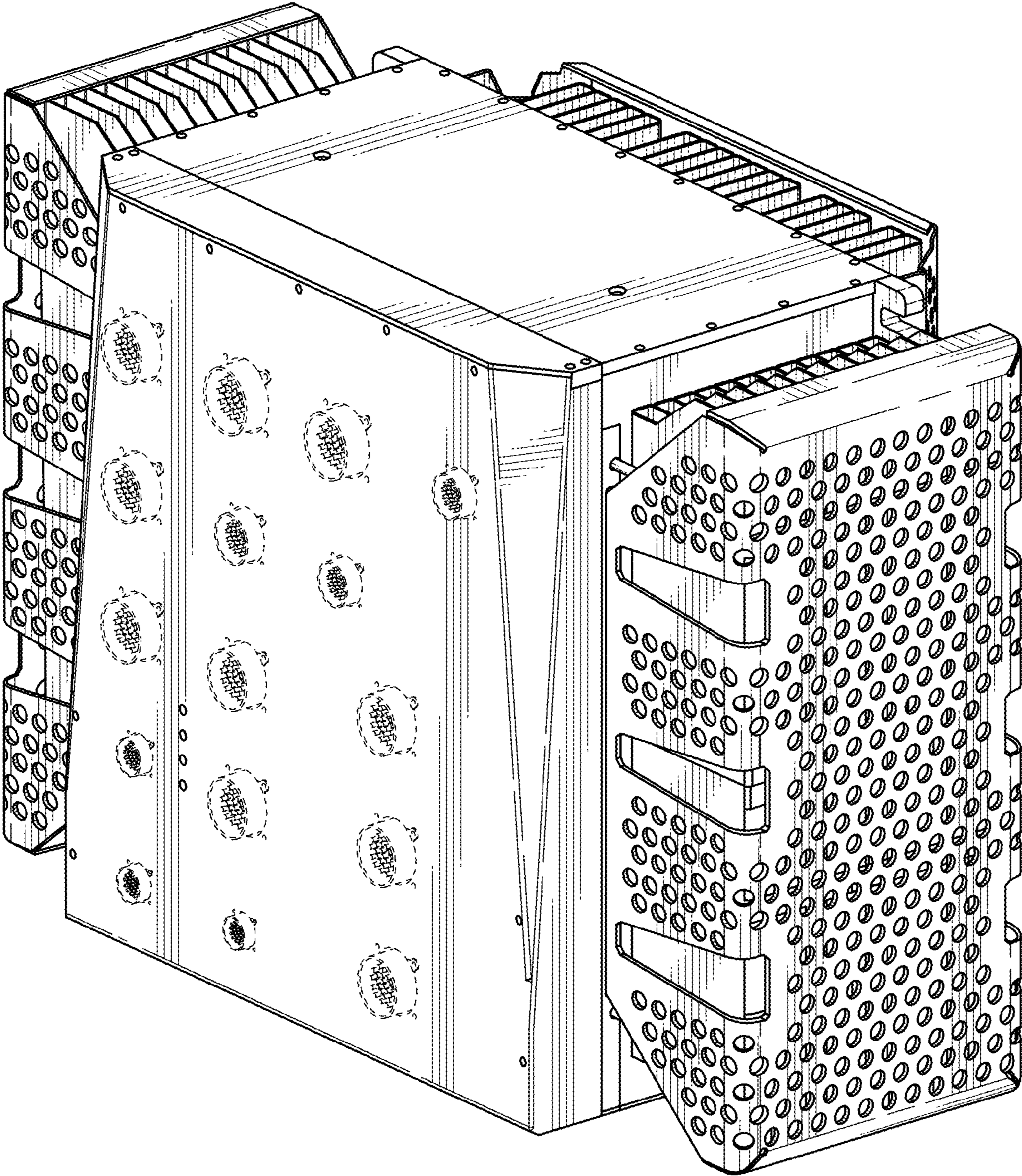


FIG. 1

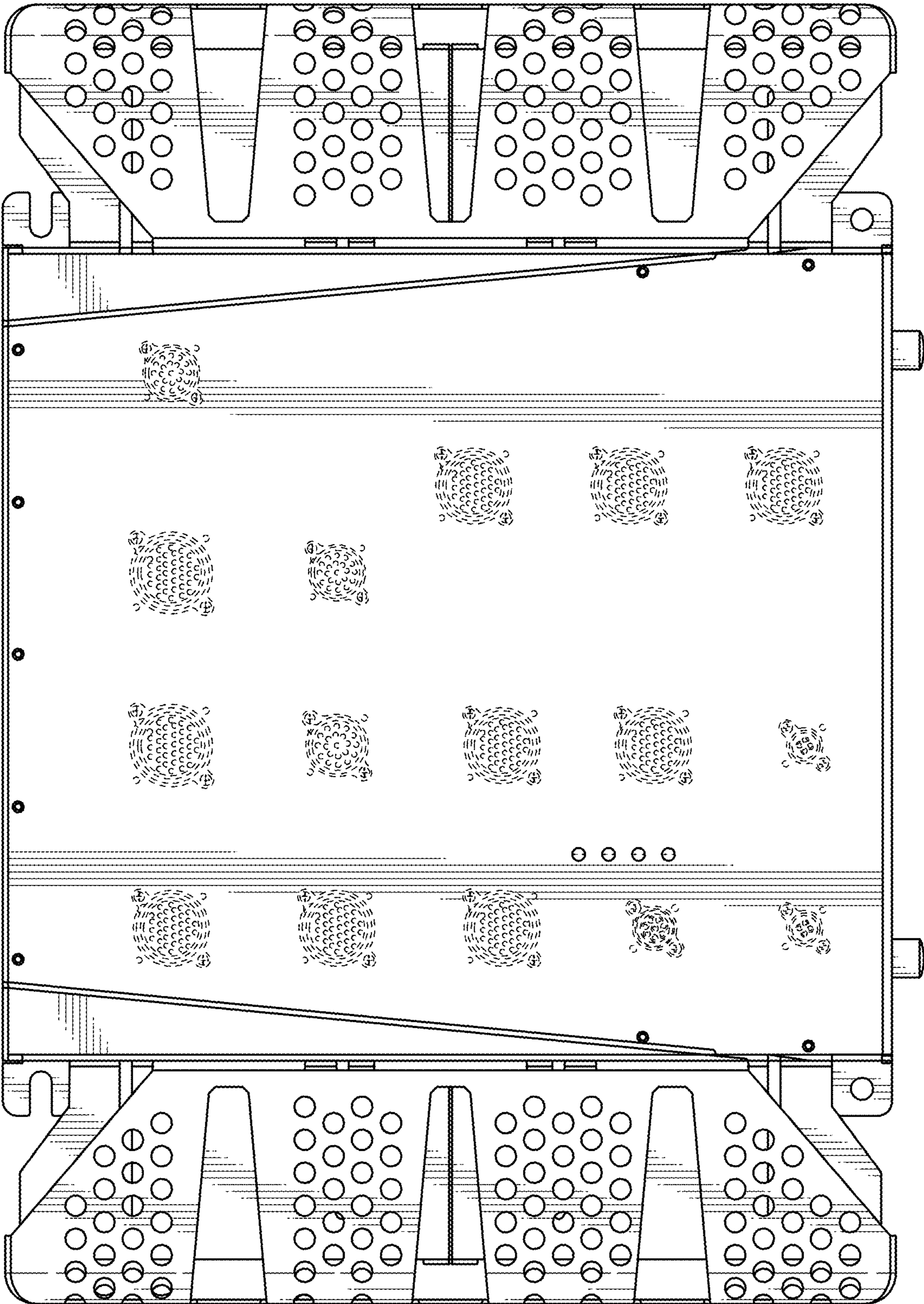


FIG. 2

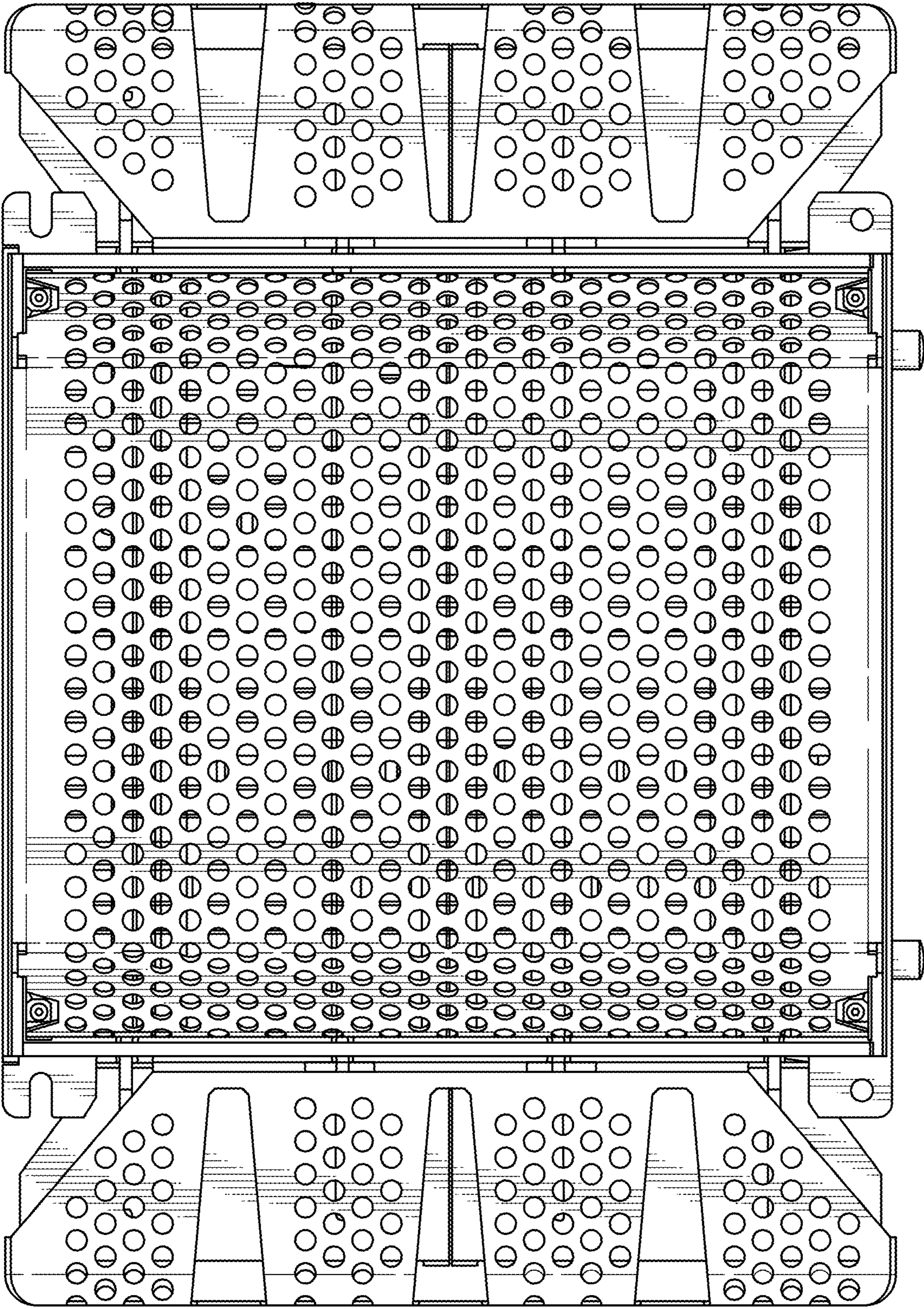


FIG. 3

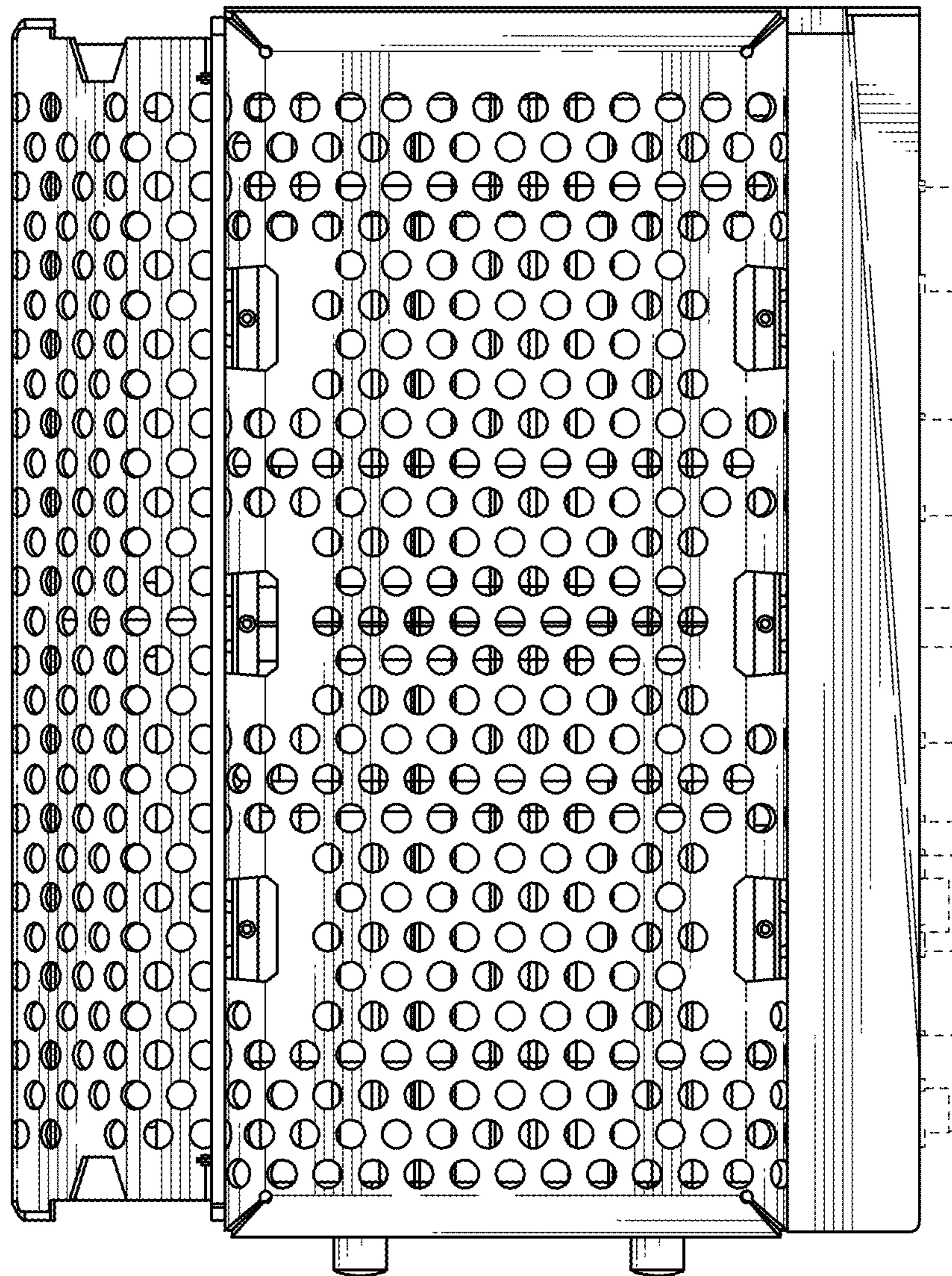


FIG. 4

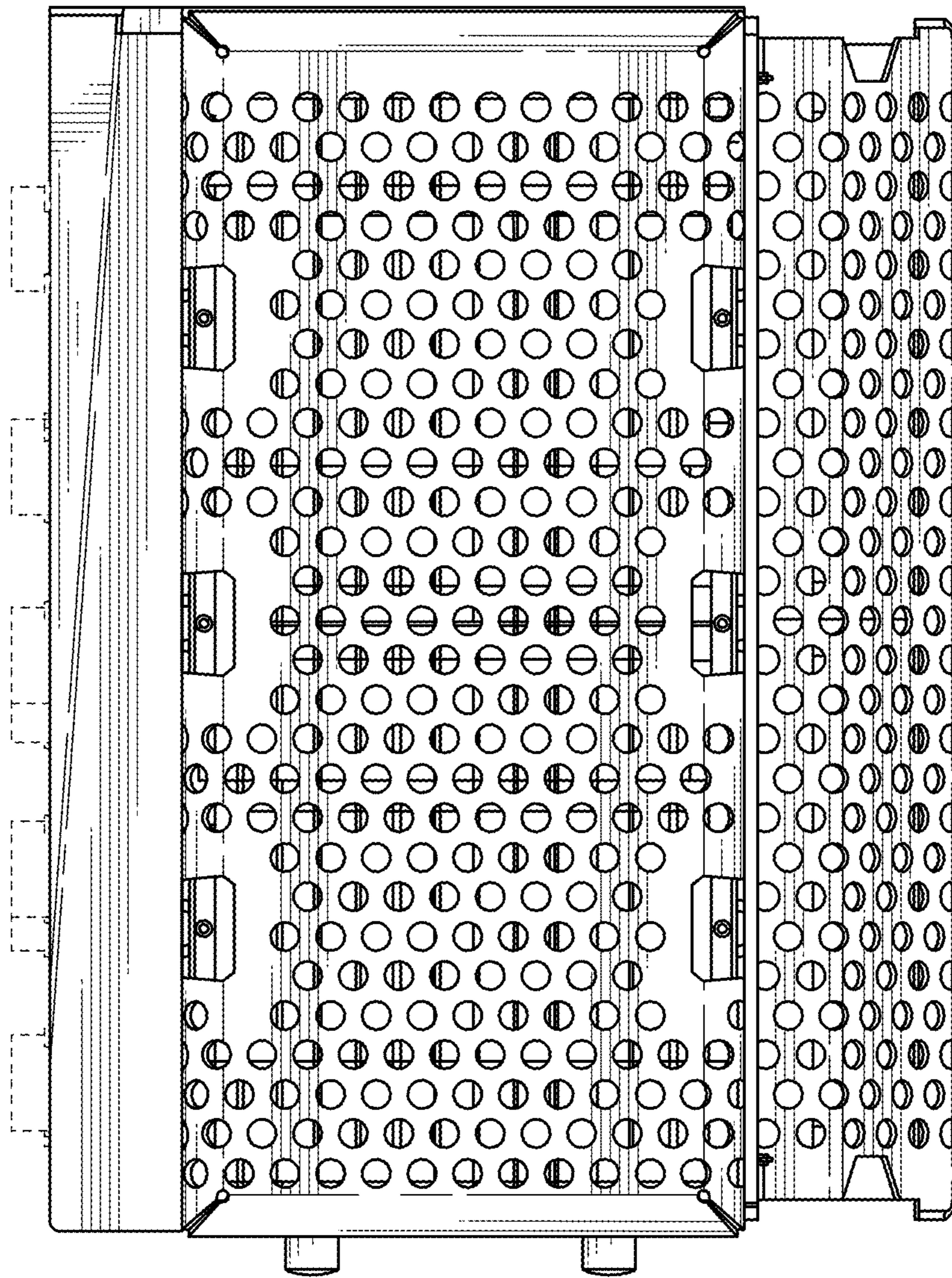


FIG. 5

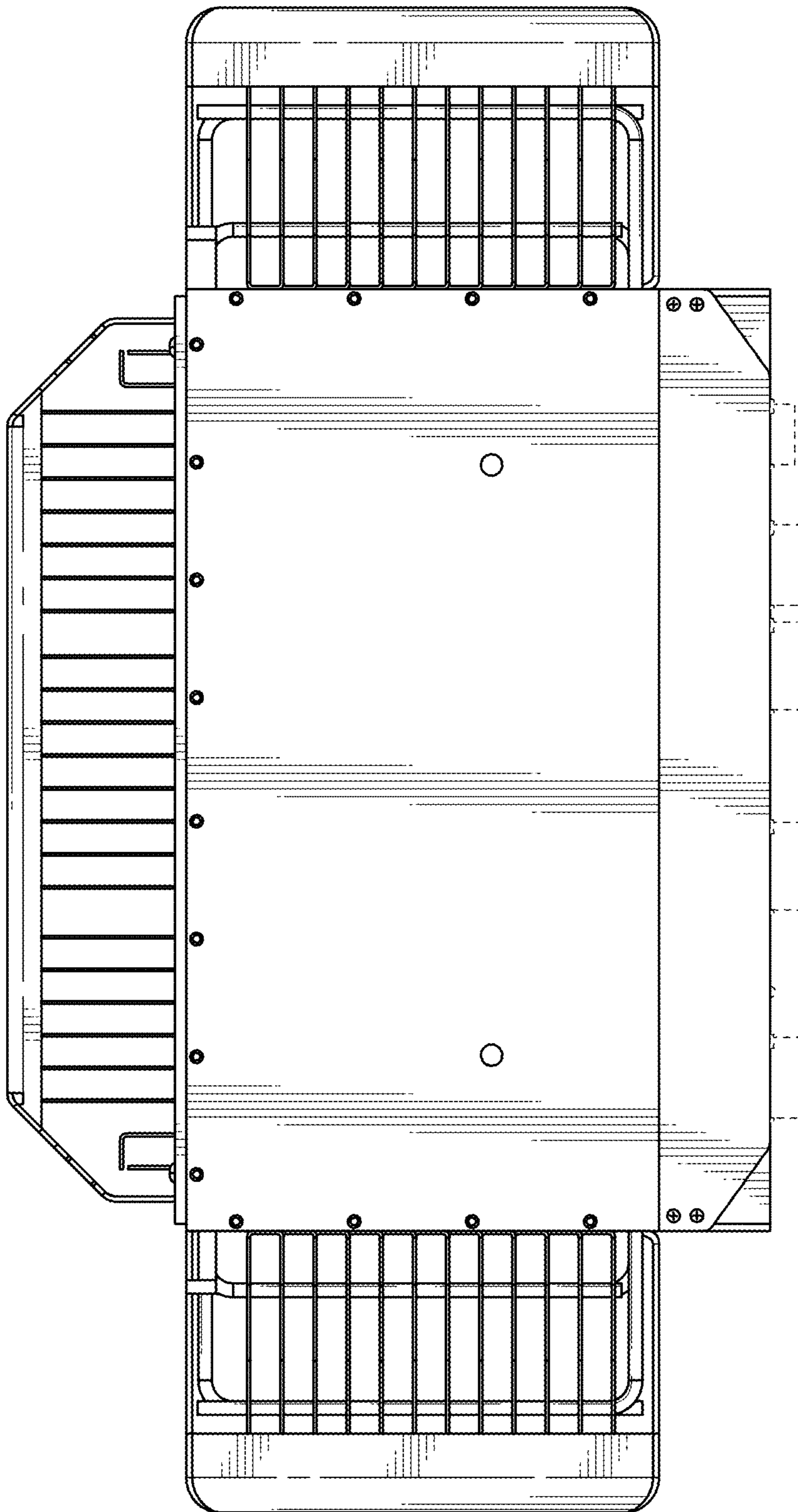


FIG. 6



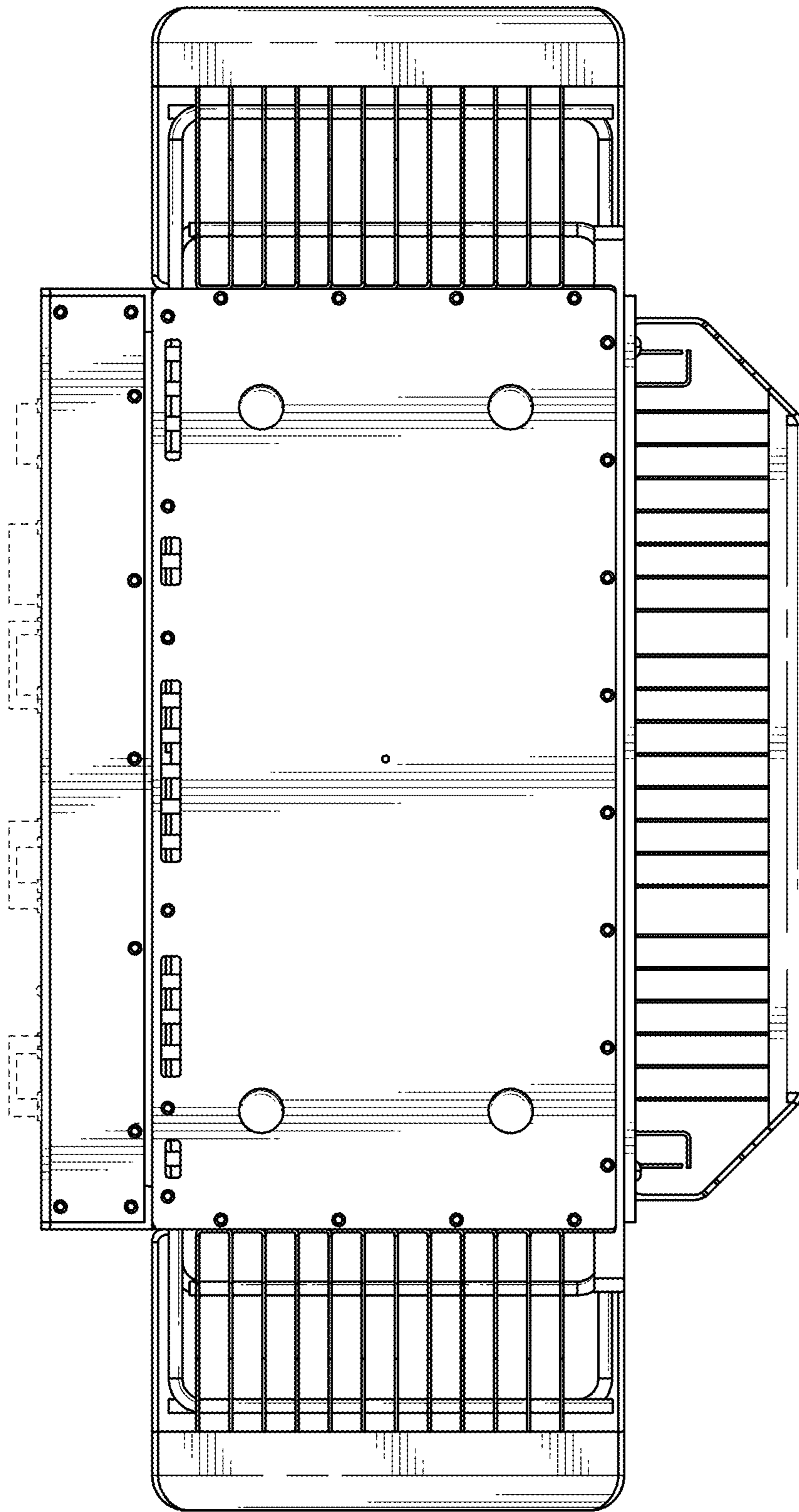


FIG. 7

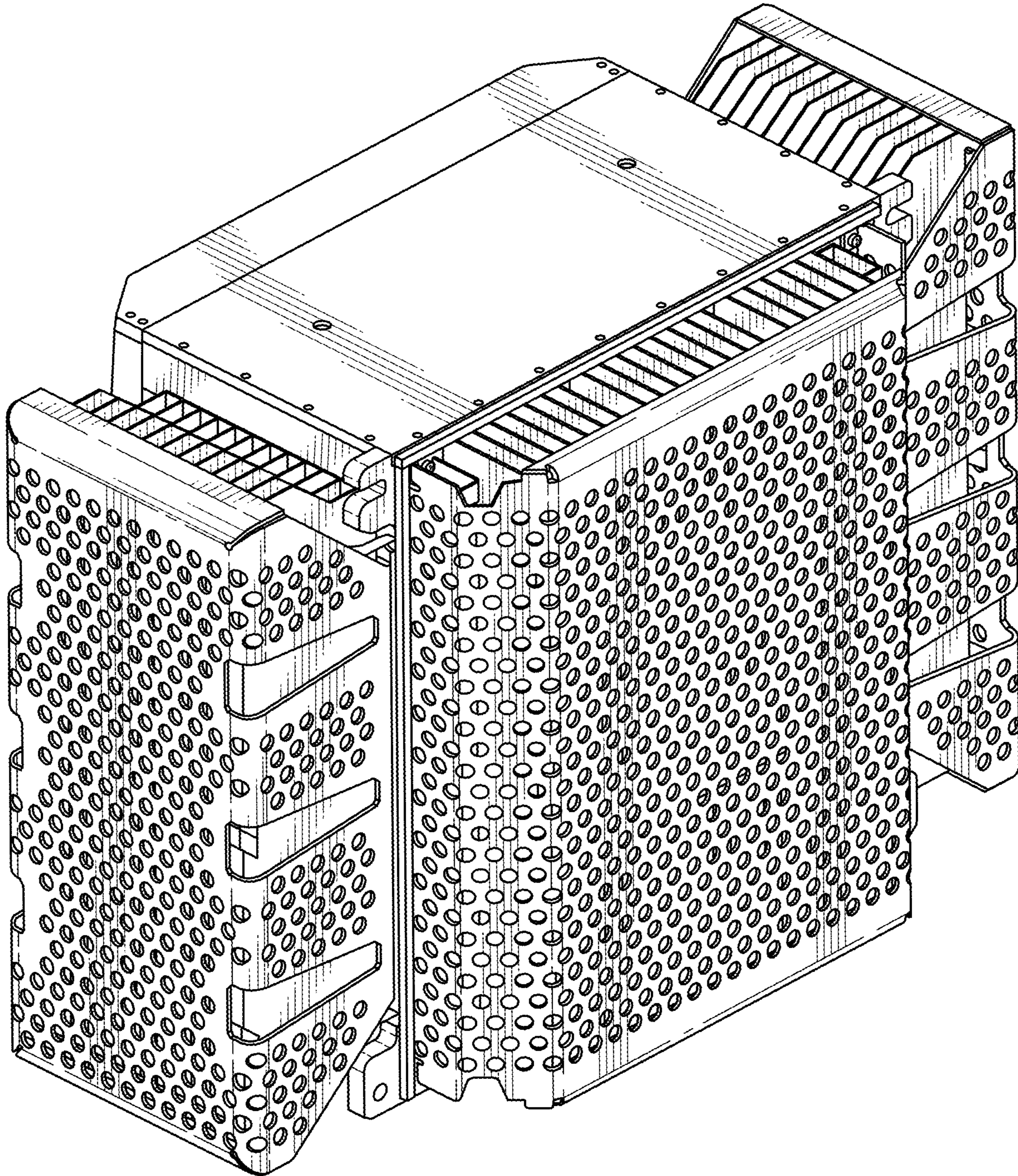


FIG. 8