



US00D893437S

(12) **United States Design Patent** (10) **Patent No.:** **US D893,437 S**
Dimberg et al. (45) **Date of Patent:** **** *Aug. 18, 2020**

(54) **CONTROL DEVICE**

37/0272; H05B 39/02; H05B 39/04;
H05B 39/085; H05B 39/086; H05B
39/088; G08C 17/02; H03K 17/962

(71) Applicant: **Lutron Technology Company LLC**,
Coopersburg, PA (US)

See application file for complete search history.

(72) Inventors: **Chris Dimberg**, Easton, PA (US);
Susan Hakkarainen, Doylestown, PA
(US); **Jason C. Killo**, Emmaus, PA
(US); **Brad Michael Kreschollek**,
Bethlehem, PA (US); **Noel Mayo**,
Philadelphia, PA (US); **Matthew Philip
McDonald**, Phoenixville, PA (US)

(56) **References Cited**

U.S. PATENT DOCUMENTS

D199,922 S 12/1964 Schlage
D362,841 S 10/1995 Roza
6,107,583 A 8/2000 Berfield
D441,346 S 5/2001 Bonn

(Continued)

(73) Assignee: **Lutron Technology Company LLC**,
Coopersburg, PA (US)

OTHER PUBLICATIONS

(*) Notice: This patent is subject to a terminal dis-
claimer.

LEGRAND® / Pass & Seymour®, P&S Dimmers—DR Series
Brochure, 2010, 2 pages.

(Continued)

(**) Term: **15 Years**

Primary Examiner — Selina Sikder

(21) Appl. No.: **29/680,802**

(74) *Attorney, Agent, or Firm* — Saidman DesignLaw
Group, LLC

(22) Filed: **Feb. 20, 2019**

Related U.S. Application Data

(57) **CLAIM**

(63) Continuation of application No. 29/633,233, filed on
Jan. 12, 2018, now Pat. No. Des. 846,508, which is a
continuation of application No. 29/569,814, filed on
Jun. 30, 2016, now Pat. No. Des. 814,428.

The ornamental design for a control device, as shown and
described.

(51) **LOC (12) Cl.** **13-03**

DESCRIPTION

(52) **U.S. Cl.**
USPC **D13/171; D13/168**

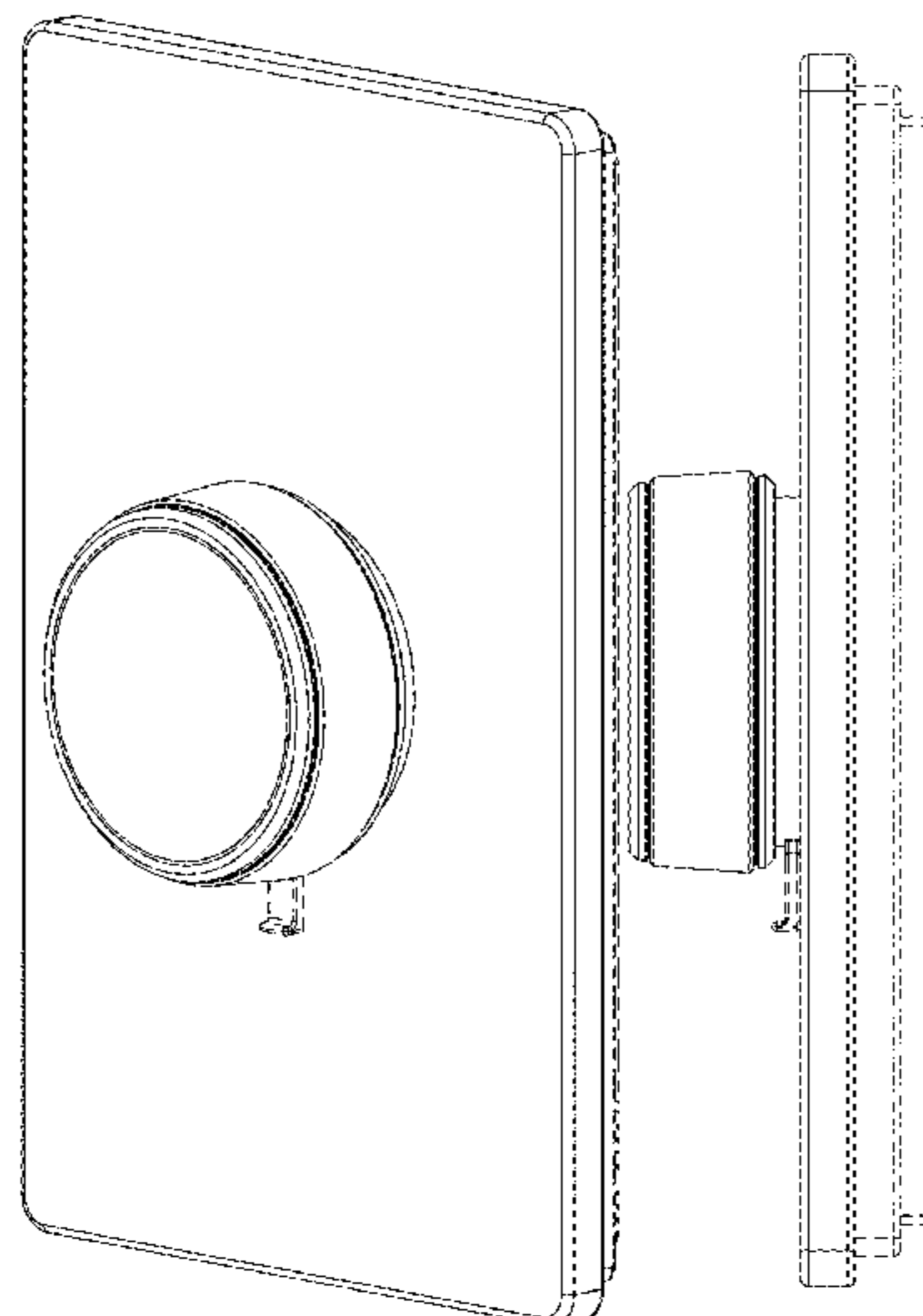
(58) **Field of Classification Search**
USPC D13/162, 168, 171, 173, 174; D14/487,
D14/489; D10/104.1; D7/393; D8/310,
D8/312
CPC H01H 3/12; H01H 3/122; H01H 9/02;
H01H 9/16; H01H 9/18; H01H 9/181;
H01H 9/182; H01H 13/023; H01H 13/04;
H01H 13/06; H01H 13/14; H01H
2009/187; H05B 33/0803; H05B 33/0863;
H05B 37/02; H05B 37/0254; H05B

FIG. 1 is a front perspective view of a control device
showing our new design;
FIG. 2 is a front view thereof;
FIG. 3 is a left side view thereof;
FIG. 4 is a right side view thereof;
FIG. 5 is a top view thereof; and,
FIG. 6 is a bottom view thereof.

The dashed broken lines illustrate structure or features
which form no part of the claimed design.

In FIGS. 1-6, the thick, solid black lines depict surfaces
having the contrast in appearance as shown.

1 Claim, 4 Drawing Sheets



(56)

References Cited

U.S. PATENT DOCUMENTS

D464,630	S	10/2002	Woodworth	
D469,411	S	1/2003	Decosse	
D515,516	S	2/2006	Mayo et al.	
D558,692	S	1/2008	Neveu	
D589,463	S	3/2009	Sykes	
7,884,299	B2	2/2011	Glew	
D645,005	S	9/2011	Menheere	
D654,880	S	2/2012	Lam	
D687,328	S	8/2013	Clymer et al.	
8,786,196	B2	7/2014	Biery et al.	
D713,236	S	9/2014	Park	
D725,612	S	3/2015	Schlegel et al.	
D748,648	S	2/2016	Kim et al.	
D755,037	S	5/2016	Czerwinski, Jr. et al.	
9,337,943	B2	5/2016	Mosebrook et al.	
D761,277	S	7/2016	Harvell	
D762,716	S	8/2016	Yang et al.	
D763,308	S	8/2016	Wang et al.	
D766,844	S	9/2016	Turksu et al.	
9,538,619	B2	1/2017	Swatsky et al.	
9,565,742	B2	2/2017	Swatsky et al.	
9,633,557	B2	4/2017	Dimberg et al.	
D786,932	S	5/2017	Kim et al.	
D808,912	S	1/2018	Dimberg et al.	
D814,428	S	4/2018	Dimberg et al.	
D837,168	S	1/2019	Altonen et al.	
D837,169	S	1/2019	Altonen et al.	
D839,847	S *	2/2019	Dimberg	D13/171
D846,508	S *	4/2019	Dimberg	D13/171
2007/0057922	A1	3/2007	Schultz et al.	
2007/0102275	A1	5/2007	Genz et al.	
2007/0193867	A1	8/2007	Lorenzo Riera et al.	
2010/0175971	A1	7/2010	Kim et al.	
2013/0328500	A1	12/2013	Toda	
2014/0042002	A1	2/2014	Chu	

2014/0117871	A1	5/2014	Swatsky et al.
2015/0371534	A1	12/2015	Dimberg et al.
2017/0278383	A1	9/2017	Dimberg et al.
2017/0280533	A1	9/2017	Dimberg et al.
2017/0352506	A1	12/2017	Dimberg
2017/0354012	A1	12/2017	Bard et al.
2017/0354021	A1	12/2017	Dimberg et al.
2017/0354022	A1	12/2017	Dimberg et al.
2017/0354023	A1	12/2017	Dimberg et al.
2018/0005742	A1	1/2018	Newman, Jr. et al.
2018/0116039	A1	4/2018	Harte et al.

OTHER PUBLICATIONS

LEGRAND®, Dimmers Brochure, 2015, 18 pages.
LUMENPULSE™, Lumentone™ Specification Sheet, 2013, 4 pages.
LUMENPULSE™, Lumentone™ Installation Instructions, 2013, 1 page.
LUMENPULSE™, Lumentone™ Quick Reference Guide, 2015, 3 pages.
Electronic Theatre Controls, Inc., Echo Inspire® Station Programming Guide, Software Version 2.0.1, Feb. 2015, 44 pages.
Electronic Theatre Controls, Inc., Echo Inspire® Control Stations, <URL:https://www.etconnect.com/Products/Architectural-Systems/Echo/Control-Stations/Inspire-Control-Stations/Features.aspx>, available from Internet at least as early as Jul. 15, 2014 [site visited May 9, 2018].
Electronic Theatre Controls, Inc., Echo Inspire® Control Station: 4-Button with Fader Knob, photograph taken on May 8, 2018.
U.S. Appl. No. 62/345,449, filed Jun. 3, 2016 (unpublished).
U.S. Appl. No. 62/345,222, filed Jun. 3, 2016 (unpublished).
U.S. Appl. No. 29/566,959, filed Jun. 3, 2016 (unpublished).
U.S. Appl. No. 29/569,786, filed Jun. 30, 2016 (unpublished).
U.S. Appl. No. 29/597,335, filed Mar. 16, 2017 (unpublished).

* cited by examiner

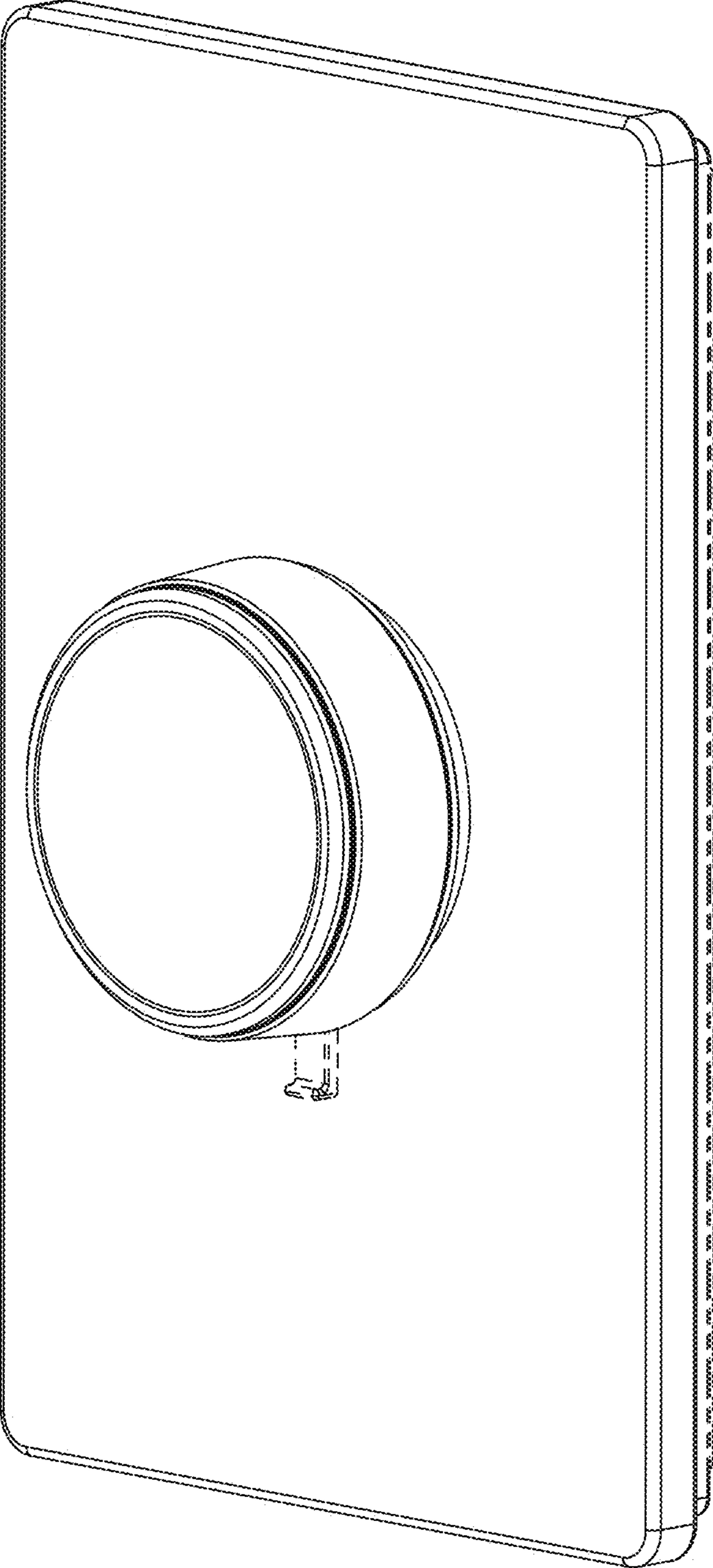


FIG. 1

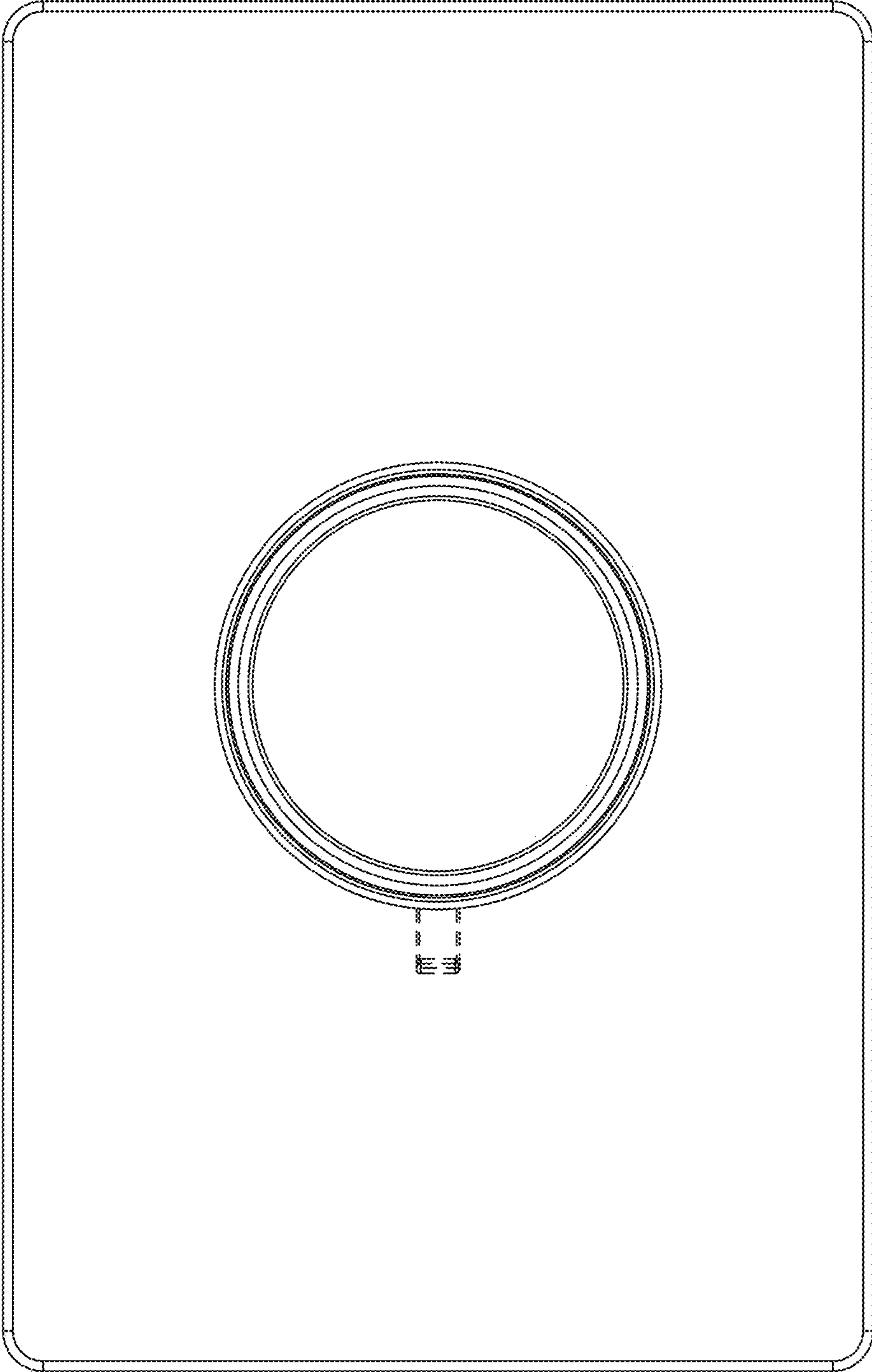


FIG. 2

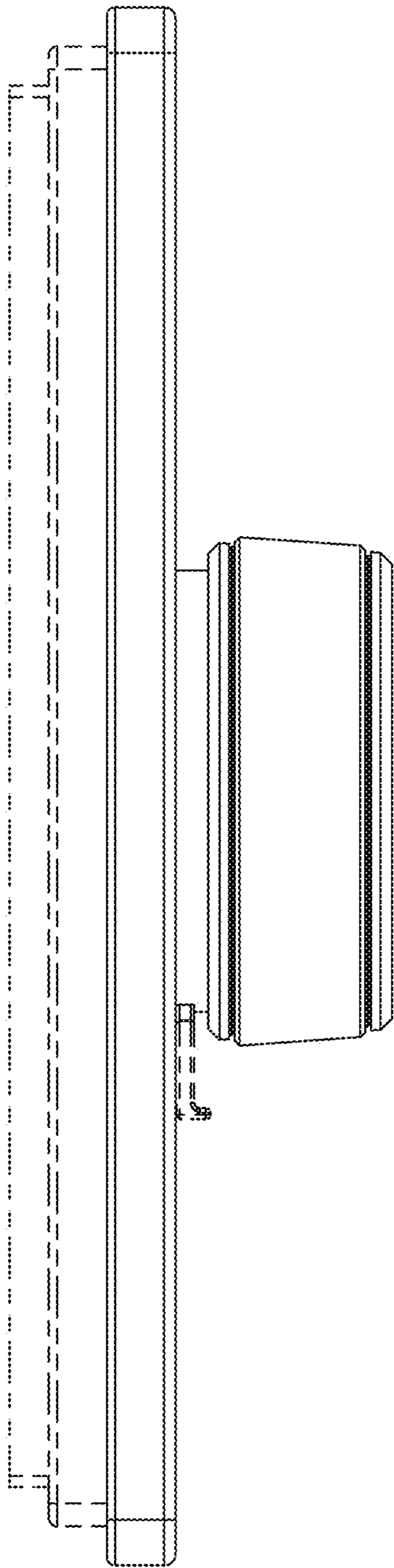


FIG. 3

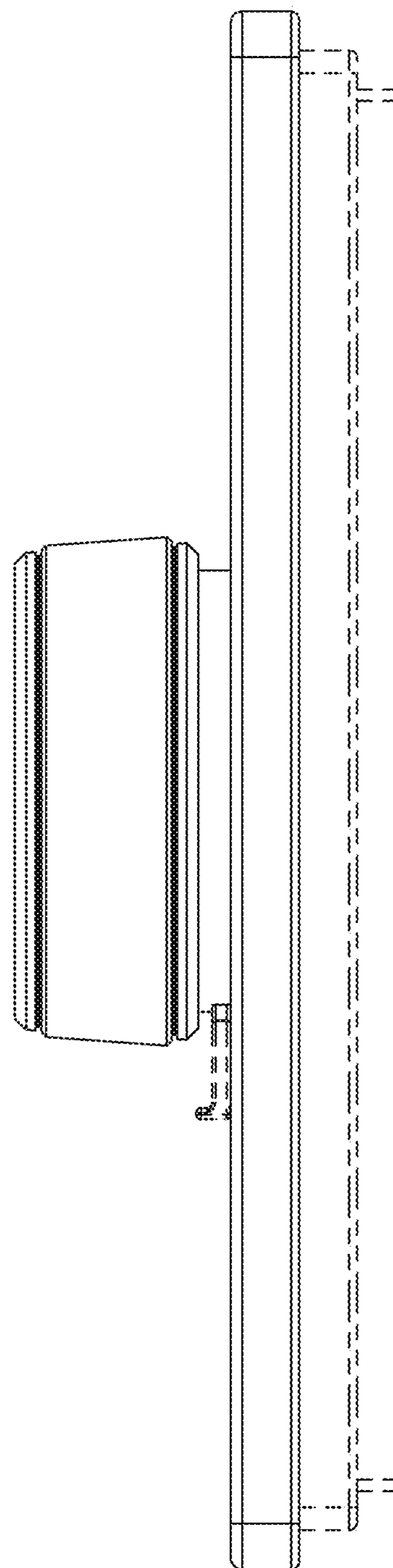


FIG. 4

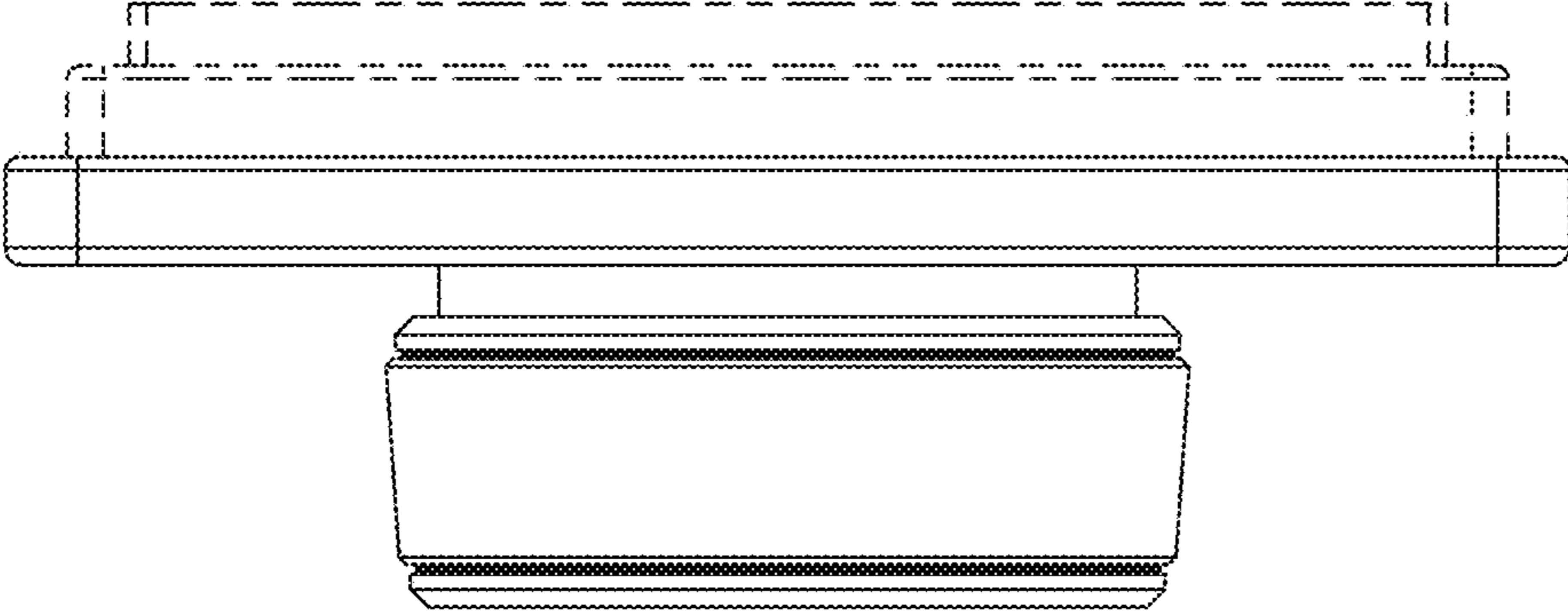


FIG. 5

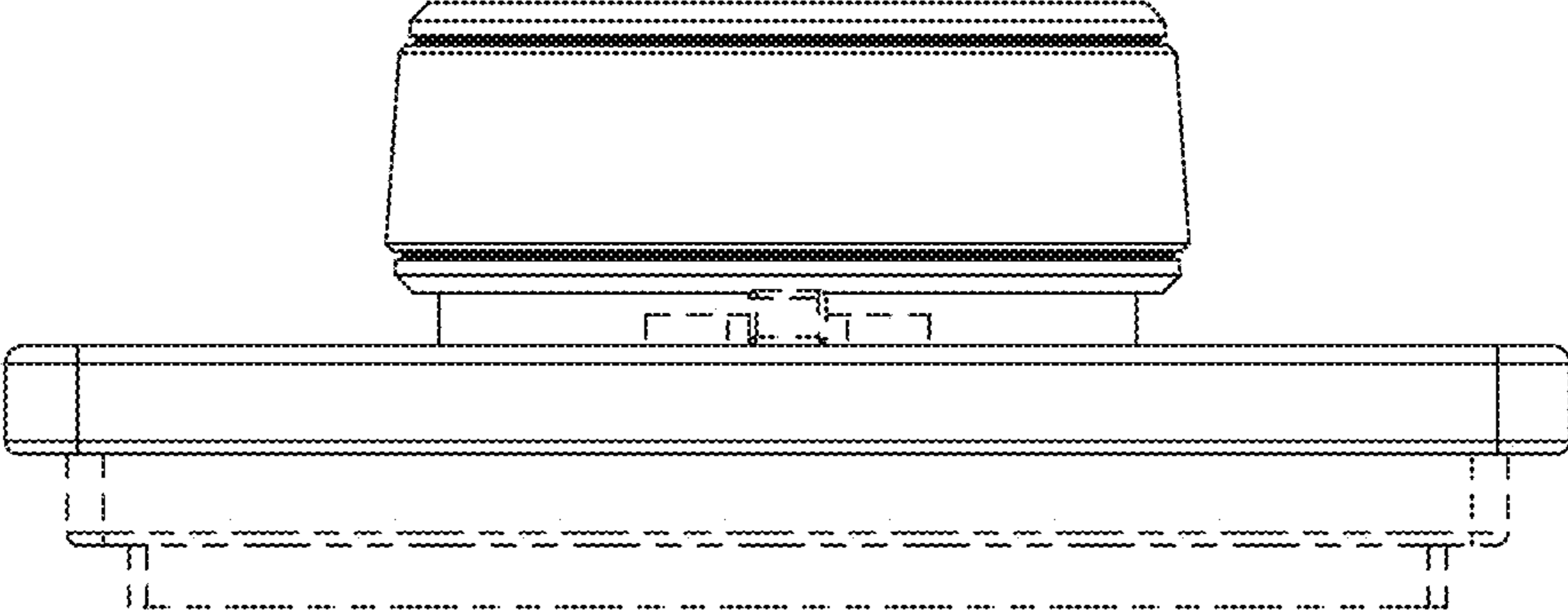


FIG. 6