



US00D893436S

(12) **United States Design Patent** (10) **Patent No.:** **US D893,436 S**  
**Becker** (45) **Date of Patent:** **\*\* \*Aug. 18, 2020**

(54) **POWER WAND**  
(71) Applicant: **DOMETIC SWEDEN AB**, Solna (SE)  
(72) Inventor: **Kent A. Becker**, Huntertown, IN (US)  
(73) Assignee: **Dometic Sweden AB**, Solna (SE)

D653,652 S 2/2012 Kroyer  
D664,947 S 8/2012 Choi et al.  
D672,333 S 12/2012 Lin et al.  
D686,192 S 7/2013 Widner et al.  
D687,416 S 8/2013 Lee et al.  
D698,338 S 1/2014 Ingham et al.  
D718,750 S 12/2014 Young et al.  
9,047,758 B2 6/2015 Robinson et al.

(\* ) Notice: This patent is subject to a terminal disclaimer.

(Continued)

(\*\*) Term: **15 Years**

FOREIGN PATENT DOCUMENTS

AU 201712804 A1 5/2017

(21) Appl. No.: **29/643,437**

OTHER PUBLICATIONS

(22) Filed: **Apr. 9, 2018**

Transmittal Letter of Related Cases.

(Continued)

**Related U.S. Application Data**

(62) Division of application No. 29/584,841, filed on Nov. 17, 2016.

*Primary Examiner* — Selina Sikder

(74) *Attorney, Agent, or Firm* — Middleton Reutlinger

(51) **LOC (12) Cl.** ..... **14-03**

(52) **U.S. Cl.**  
USPC ..... **D13/168**

(57) **CLAIM**

The ornamental design for a power wand, as shown and described.

(58) **Field of Classification Search**  
USPC ..... D13/162, 168; D14/218; D6/580  
CPC .... H03J 1/0025; H03J 9/00; H03J 9/02; H03J 9/04; H03J 9/06; H01H 9/0235; A47H 5/0325; E06B 9/32; E06B 9/322; E06B 9/3222; E06B 9/68; E06B 9/70; H02P 1/16; H02P 7/03

**DESCRIPTION**

Cross-reference is made to U.S. patent application Ser. No. 15/354,463 titled "Power Wand and Method of Use," filed on Nov. 17, 2016, and is expressly incorporated herein by reference.

See application file for complete search history.

FIG. 1 is a perspective view of a power wand design; FIG. 2 is a second perspective view of the design of FIG. 1; FIG. 3 is a front view of the design of FIG. 1; FIG. 4 is a rear view of the design of FIG. 1; FIG. 5 is a right side view of the design of FIG. 1; FIG. 6 is a left side view of the design of FIG. 1; FIG. 7 is a top view of the design of FIG. 1; and, FIG. 8 is a bottom view of the design of FIG. 1.

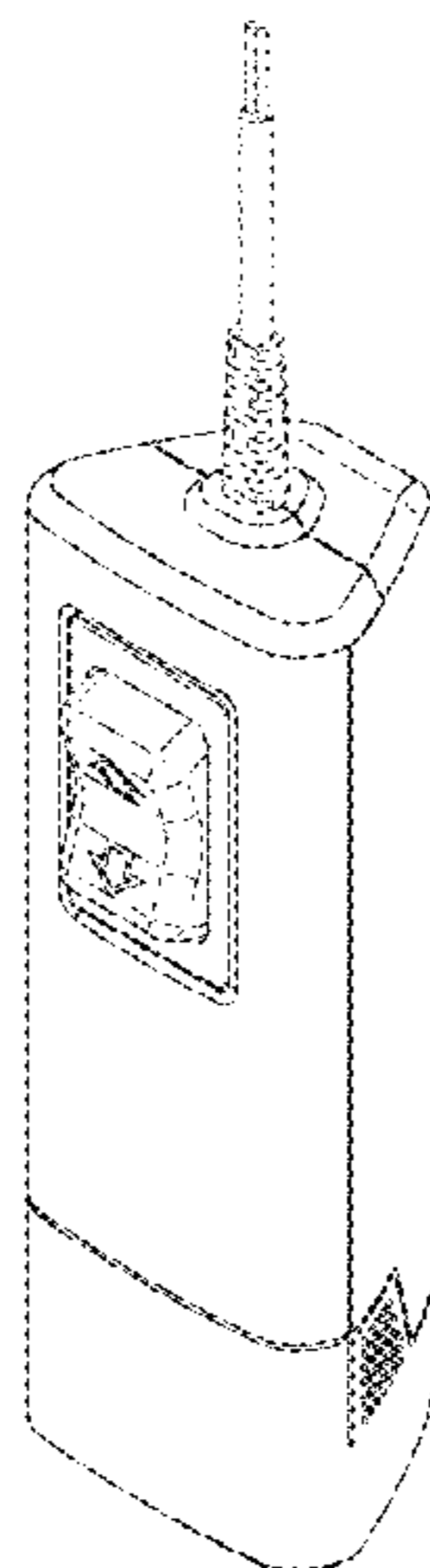
The broken lines illustrating portions of the power wand form no part of the claimed design.

(56) **References Cited**

U.S. PATENT DOCUMENTS

2,715,843 A 8/1955 Clarke  
5,698,958 A 12/1997 Domel et al.  
6,812,662 B1 11/2004 Walker  
D534,897 S 1/2007 Bhakta  
7,204,292 B2 4/2007 Nien  
D551,208 S 9/2007 Yano  
D564,978 S 3/2008 Koury et al.  
D573,134 S 7/2008 Milks et al.  
7,557,534 B2 7/2009 Uehlein-Proctor et al.

**1 Claim, 8 Drawing Sheets**



(56)

## References Cited

## OTHER PUBLICATIONS

## U.S. PATENT DOCUMENTS

|              |    |         |                |
|--------------|----|---------|----------------|
| D737,250     | S  | 8/2015  | Ingham et al.  |
| 9,153,986    | B1 | 10/2015 | Herr et al.    |
| 9,228,359    | B2 | 1/2016  | Taylor         |
| D749,509     | S  | 2/2016  | Blau           |
| D797,060     | S  | 9/2017  | Pham et al.    |
| 2004/0035535 | A1 | 2/2004  | Petrongolo     |
| 2004/0063457 | A1 | 4/2004  | Kim et al.     |
| 2004/0103995 | A1 | 6/2004  | Nien           |
| 2004/0257035 | A1 | 12/2004 | Chang          |
| 2005/0034374 | A1 | 2/2005  | Ebbe et al.    |
| 2011/0108538 | A1 | 5/2011  | Gray et al.    |
| 2011/0214302 | A1 | 9/2011  | Inayoshi       |
| 2012/0073616 | A1 | 3/2012  | Kuelbs         |
| 2012/0193035 | A1 | 8/2012  | Malekpour      |
| 2013/0031762 | A1 | 2/2013  | Chellew et al. |
| 2014/0076508 | A1 | 3/2014  | Mullet et al.  |
| 2014/0161513 | A1 | 6/2014  | Chellew et al. |
| 2014/0224437 | A1 | 8/2014  | Colson et al.  |
| 2014/0311686 | A1 | 10/2014 | Yu et al.      |
| 2015/0028797 | A1 | 1/2015  | Miller et al.  |
| 2015/0041078 | A1 | 2/2015  | Perache et al. |
| 2015/0107788 | A1 | 4/2015  | Mullet et al.  |
| 2015/0191970 | A1 | 7/2015  | Yu et al.      |
| 2015/0318581 | A1 | 11/2015 | Johnson et al. |
| 2015/0344125 | A1 | 12/2015 | Petiot et al.  |
| 2016/0143470 | A1 | 5/2016  | Mullet et al.  |
| 2016/0168906 | A1 | 6/2016  | Mullet et al.  |
| 2017/0000280 | A1 | 1/2017  | Mullet et al.  |
| 2017/0191311 | A1 | 7/2017  | Mullet et al.  |
| 2017/0264224 | A1 | 9/2017  | Becker         |
| 2018/0163465 | A1 | 6/2018  | Biedermann     |
| 2019/0040676 | A1 | 2/2019  | Mullet et al.  |

Design U.S. Appl. No. 29/584,841 entitled "Power Wand" filed on Nov. 17, 2016.

Canadian Intellectual Property Office; Canadian Patent Application No. 2,948,710 entitled "Power Wand" filed on Nov. 17, 2016.

Canadian Intellectual Property Office; Canadian Design Patent Application No. 174706 entitled "Power Wand" filed on May 10, 2017.

Canadian Intellectual Property Office; Canadian Design Patent Application No. 179312 entitled "Power Wand" filed on Jan. 22, 2018.

Examiner's Report issued in CA Application No. 174706 dated Nov. 14, 2017.

Requirement for Restriction/Election issued in U.S. Appl. No. 29/584,841 dated Nov. 30, 2017.

Non-Final Office Action issued in U.S. Appl. No. 29/584,841 dated May 7, 2018.

Requirement for Restriction/Election issued in U.S. Appl. No. 15/354,463 dated Sep. 5, 2018.

Notice of Allowance issued in U.S. Appl. No. 29/584,841 dated Nov. 21, 2018.

Non-Final Office Action issued in U.S. Appl. No. 15/354,463 dated Jan. 4, 2019.

Corrected Notice of Allowability issued in U.S. Appl. No. 29/584,841 dated Jan. 9, 2019.

Final Office Action issued in U.S. Appl. No. 15/354,463 dated Jul. 5, 2019.

U.S. Appl. No. 62/306,831 entitled "Power Wand and Method of Use" filed Mar. 11, 2016.

Non-Final Office Action issued in U.S. Appl. No. 15/354,463 dated Dec. 11, 2019.

Final Office Action issued in U.S. Appl. No. 15/354,463 dated May 19, 2020.

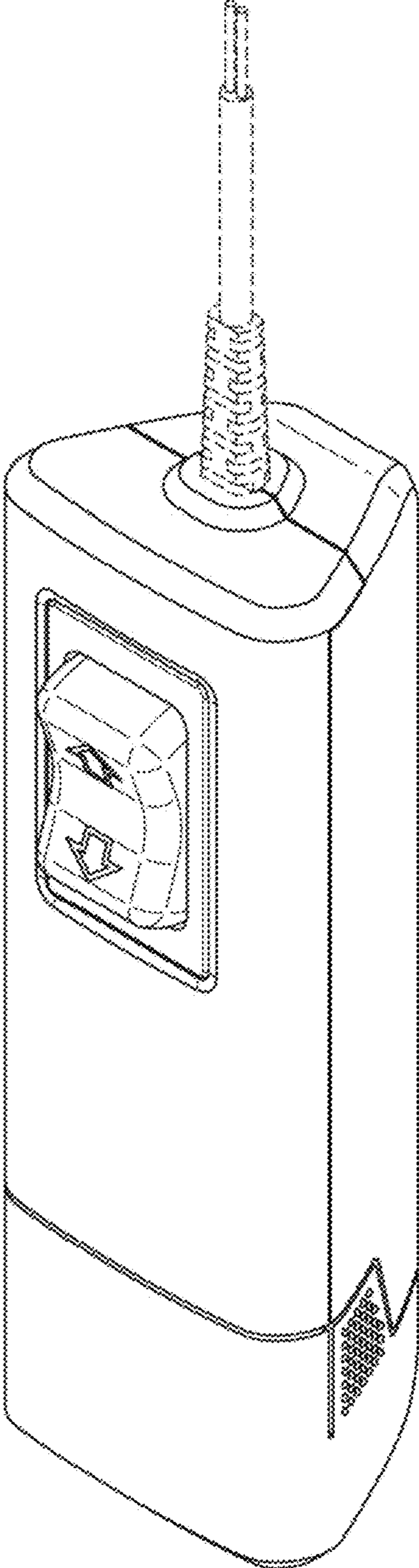


FIG. 1

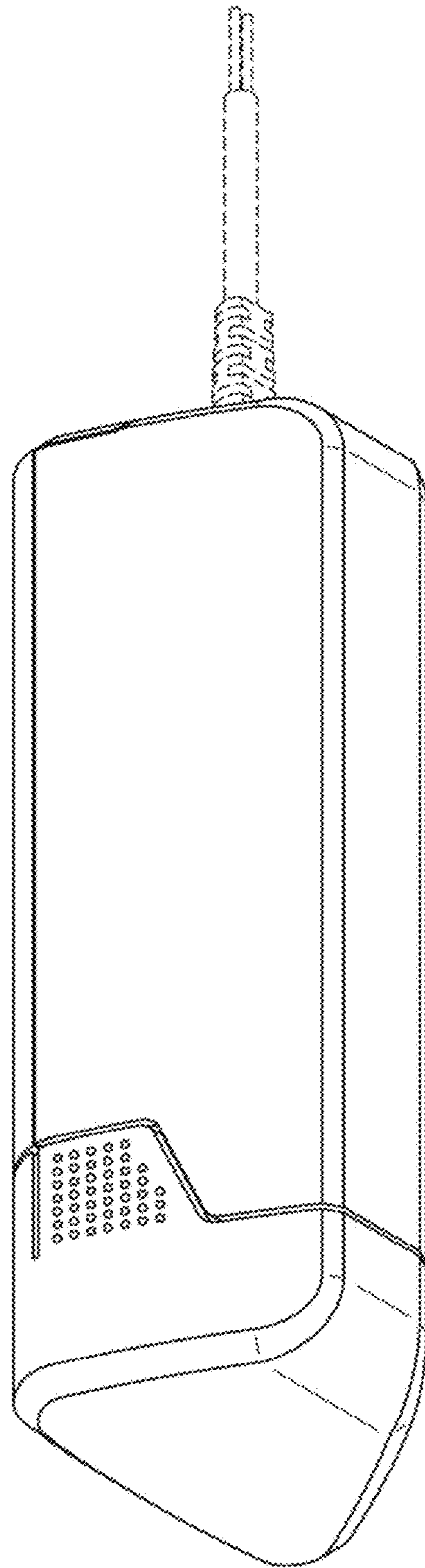


FIG. 2

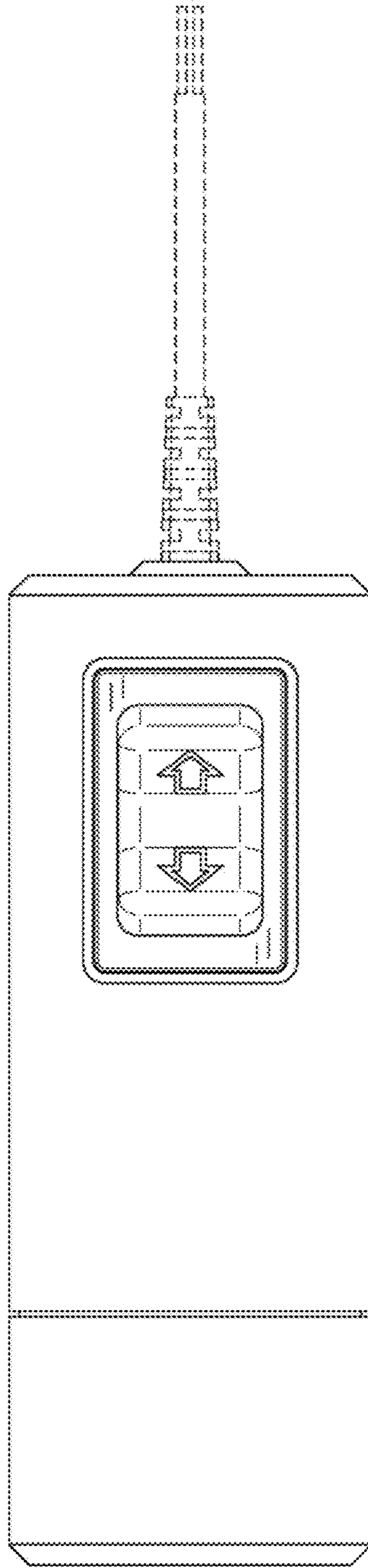


FIG. 3

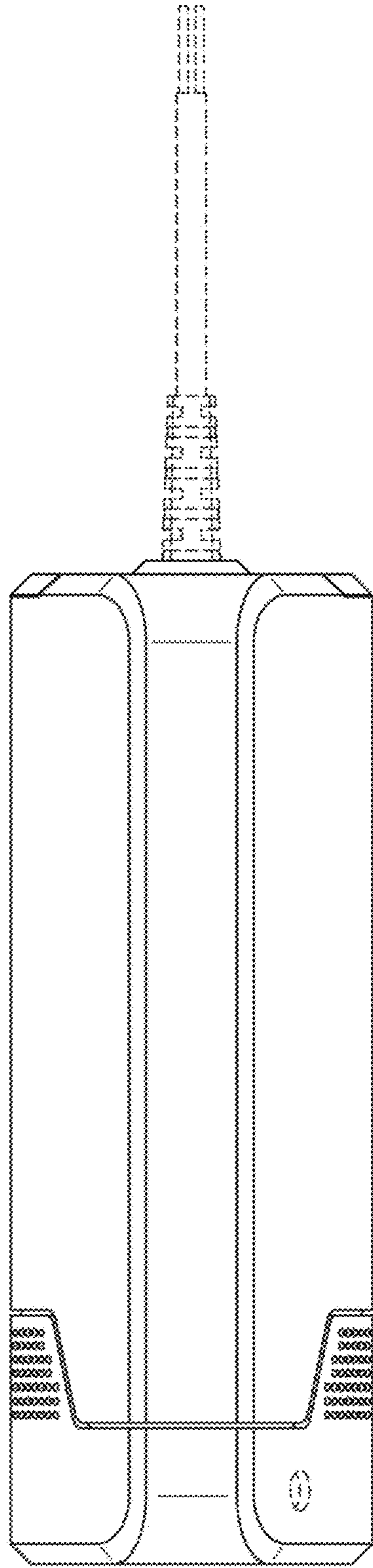


FIG. 4

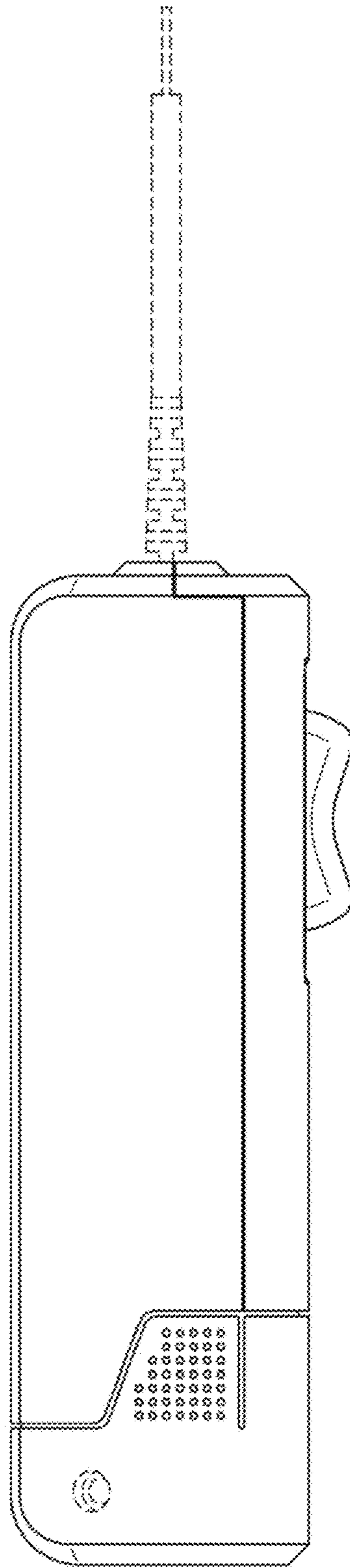


FIG. 5

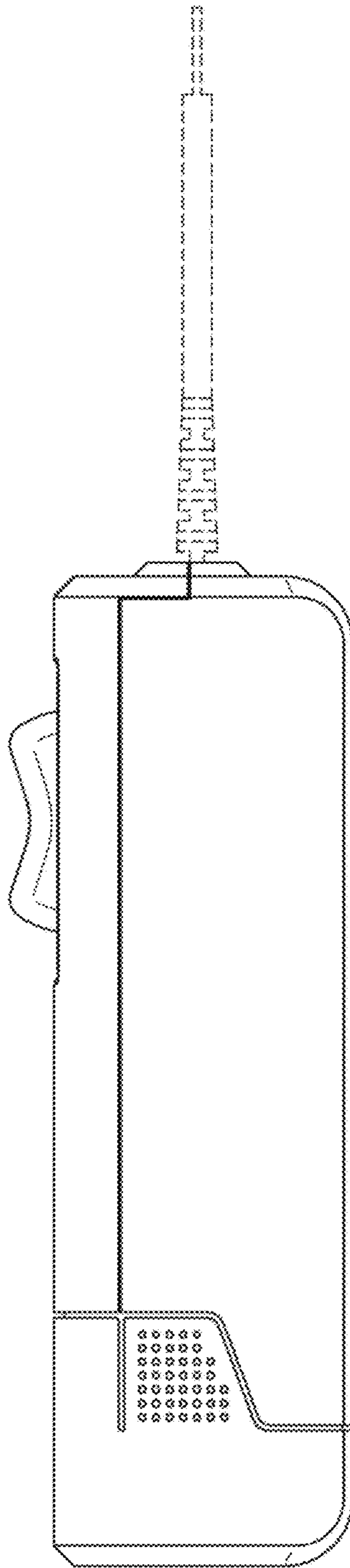


FIG. 6



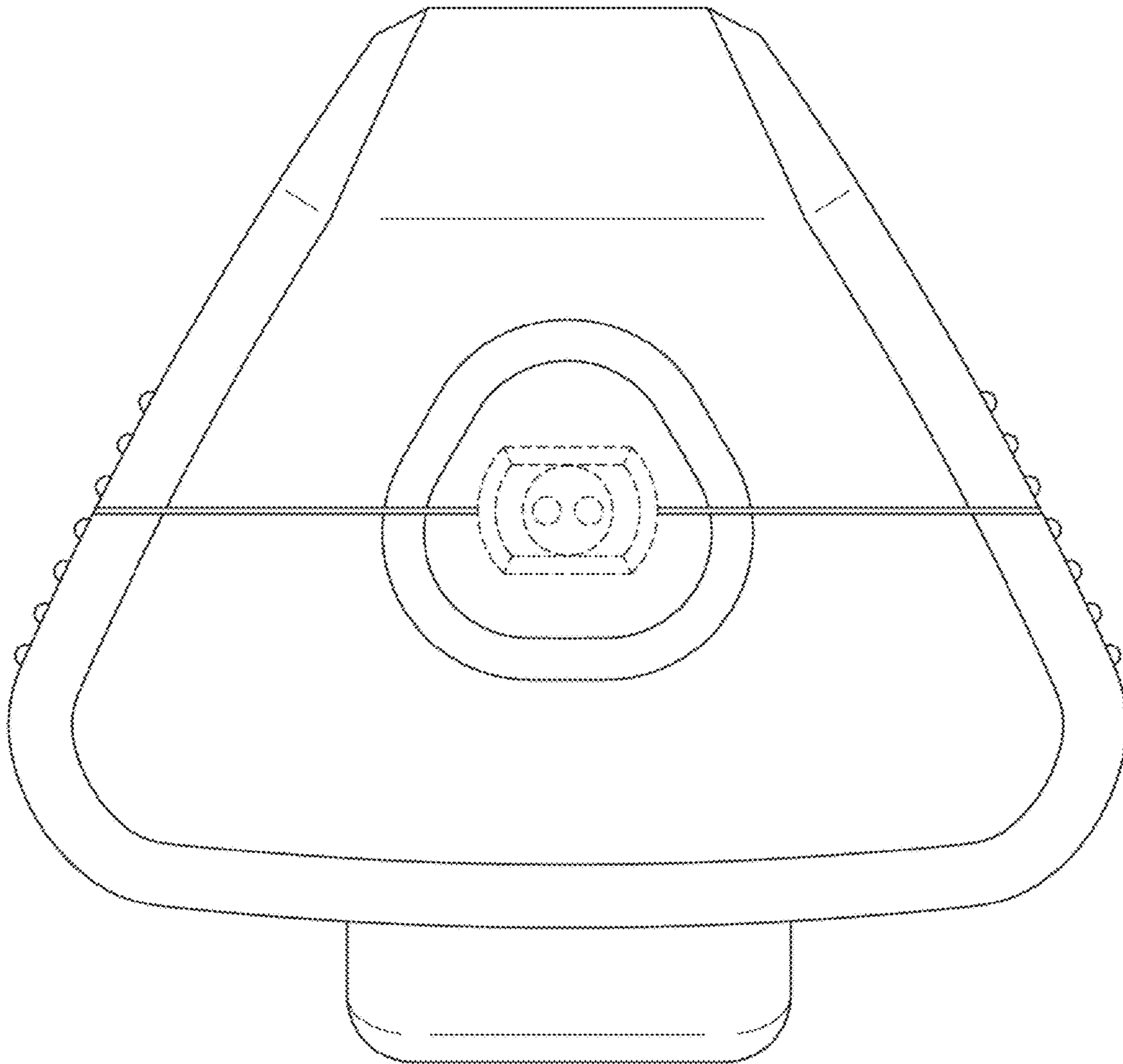


FIG. 7

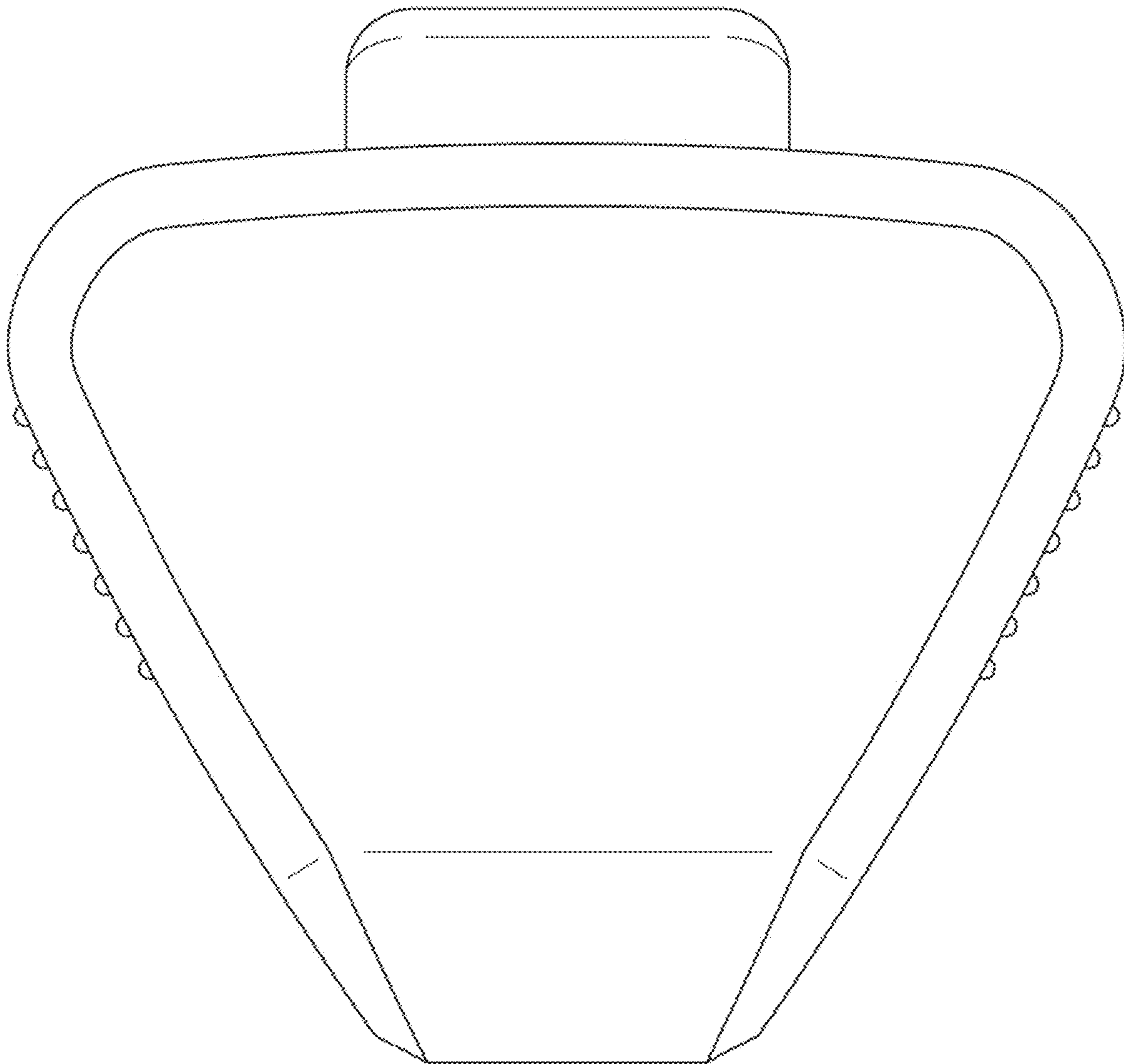


FIG. 8