



US00D893435S

(12) **United States Design Patent** (10) **Patent No.:** **US D893,435 S**
Aromin (45) **Date of Patent:** **** Aug. 18, 2020**

(54) **CIRCUIT INTERRUPTING SAFETY DEVICE**

(71) Applicant: **Victor V Aromin**, West Warwick, RI (US)

(72) Inventor: **Victor V Aromin**, West Warwick, RI (US)

(73) Assignee: **Tower Manufacturing Corporation**, Providence, RI (US)

(**) Term: **15 Years**

(21) Appl. No.: **29/653,538**

(22) Filed: **Jun. 15, 2018**

Related U.S. Application Data

(63) Continuation-in-part of application No. 29/538,694, filed on Sep. 7, 2015, now abandoned, which is a continuation-in-part of application No. 29/534,142, filed on Jul. 27, 2015, now abandoned.

(51) **LOC (12) Cl.** **13-03**

(52) **U.S. Cl.**
USPC **D13/160**

(58) **Field of Classification Search**
USPC D13/160, 124, 110, 139.6, 107, 118, D13/138.1, 138.2, 171, 184, 199
CPC H01H 71/58; H01H 71/128; H01H 71/505; H01H 2235/01; H01H 83/04; H02J 7/0021; H02J 7/0029; B60K 6/405
See application file for complete search history.

(56) **References Cited**

U.S. PATENT DOCUMENTS

D451,481 S * 12/2001 MacKay D13/160
7,170,375 B2 * 1/2007 Chen H01H 83/04
335/166
D633,869 S * 3/2011 Aromin D13/138.1

D635,937 S * 4/2011 Aromin D13/138.1
D652,801 S * 1/2012 Zou D13/139.8
8,390,404 B2 * 3/2013 Zou H01R 13/7135
335/18
D708,576 S * 7/2014 Aromin D13/110
D730,845 S * 6/2015 Aromin D13/160
D742,831 S * 11/2015 Yu D13/139.6
9,478,382 B1 * 10/2016 Aromin H01H 83/02
D849,577 S * 5/2019 Aromin D10/78
D860,138 S * 9/2019 Aromin D13/138.2
2008/0094764 A1 * 4/2008 Zhang H01R 13/665
361/42
2018/0166833 A1 * 6/2018 Nie H01H 73/44

FOREIGN PATENT DOCUMENTS

CN 305221883 * 6/2019
CN 305240373 * 7/2019

* cited by examiner

Primary Examiner — Lauren D McVey

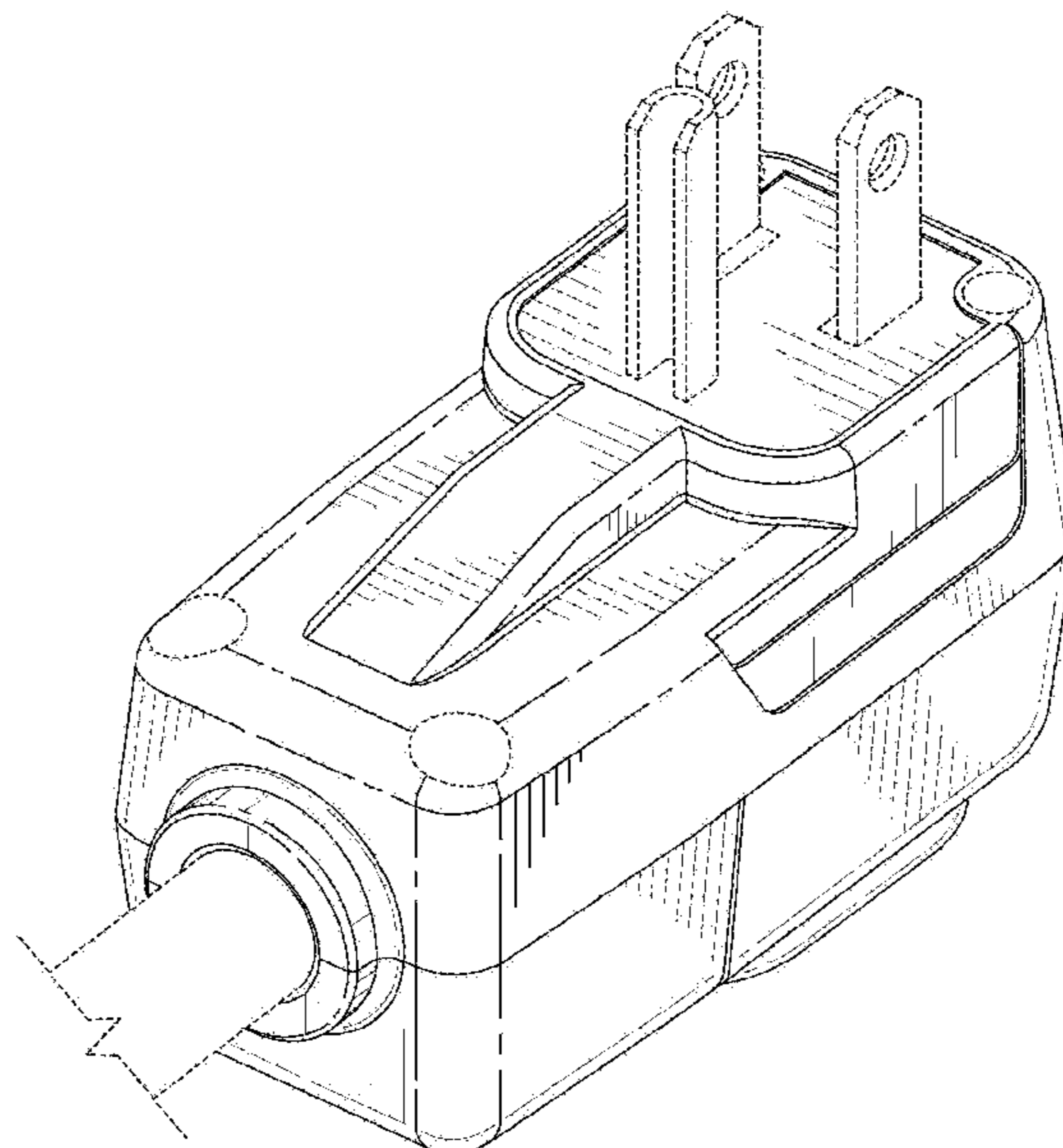
(57) **CLAIM**

The ornamental design for circuit interrupting safety device, substantially as shown and described.

DESCRIPTION

FIG. 1 is a bottom perspective view of the circuit interrupting safety device employing my new design;
FIG. 2 is a top view of FIG. 1;
FIG. 3 is a bottom view of FIG. 1;
FIG. 4 is a left side view of FIG. 1;
FIG. 5 is a right side view of FIG. 1;
FIG. 6 is a rear view of FIG. 1;
FIG. 7 is a front view of FIG. 1; and,
FIG. 8 is a top perspective view of FIG. 1.
The broken lines immediately adjacent to the shaded areas depict the bounds of the claimed design, while all other broken lines are directed to environment. The broken lines form no part of the claimed design.

1 Claim, 8 Drawing Sheets



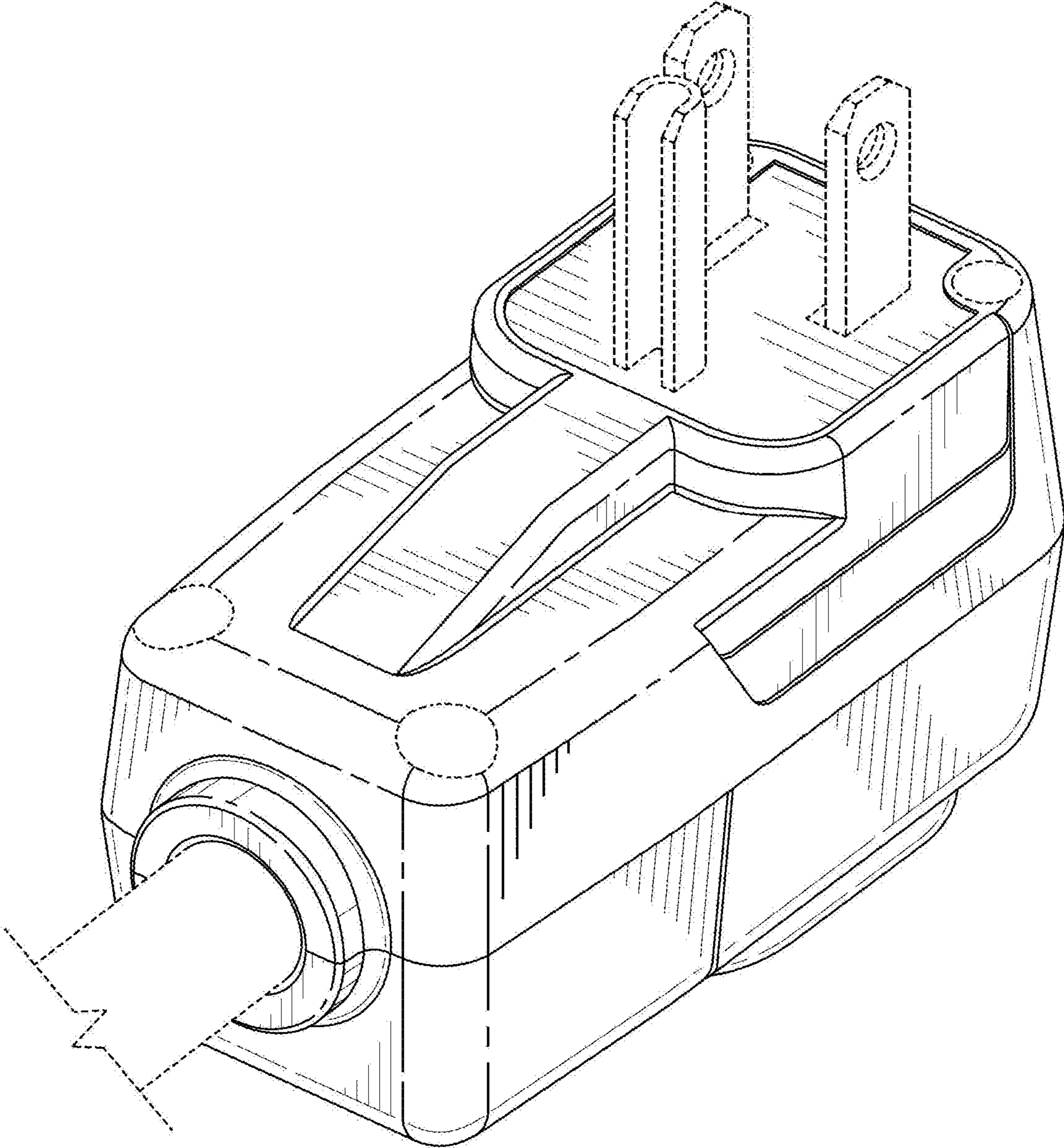


FIG. 1

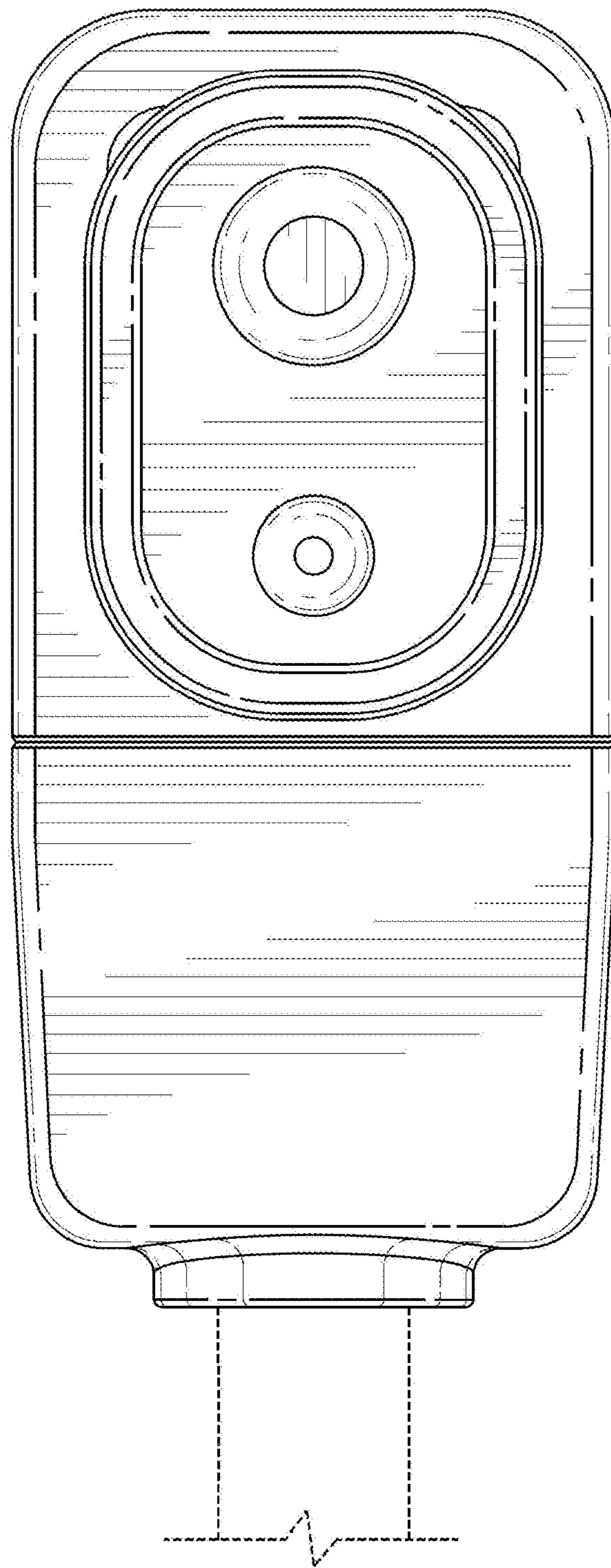


FIG. 2

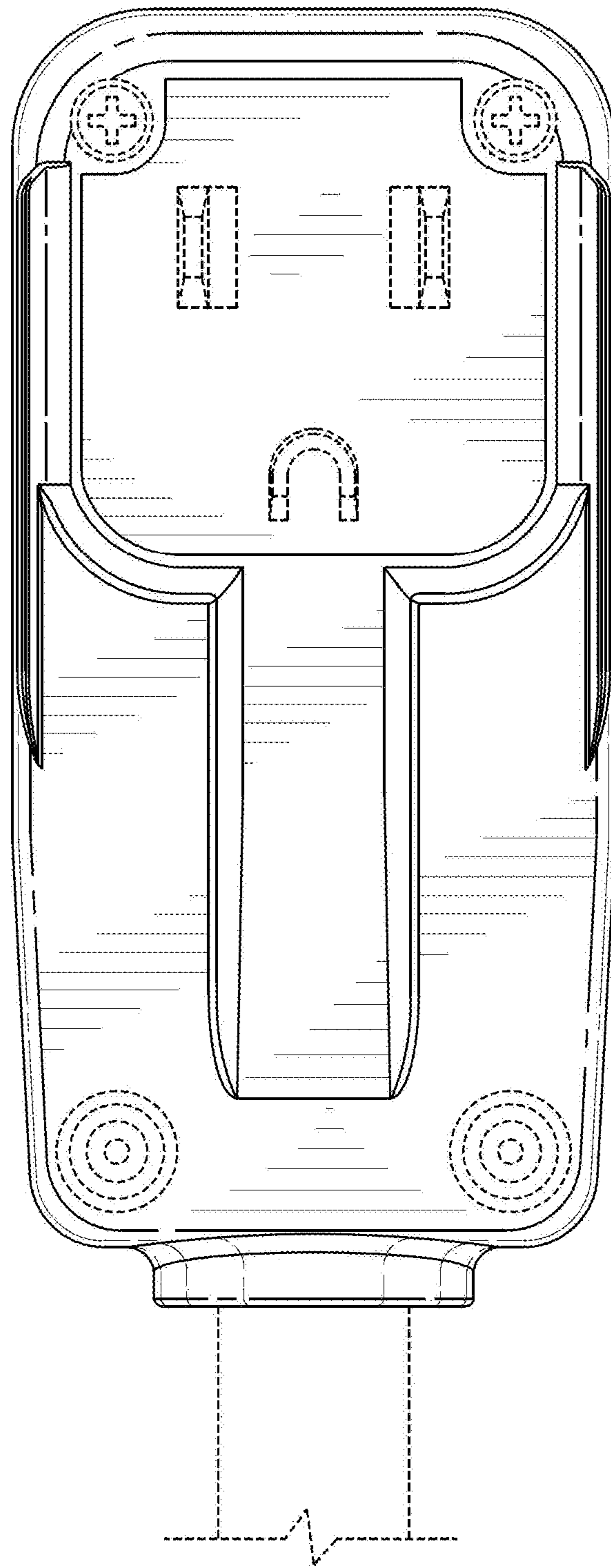


FIG. 3

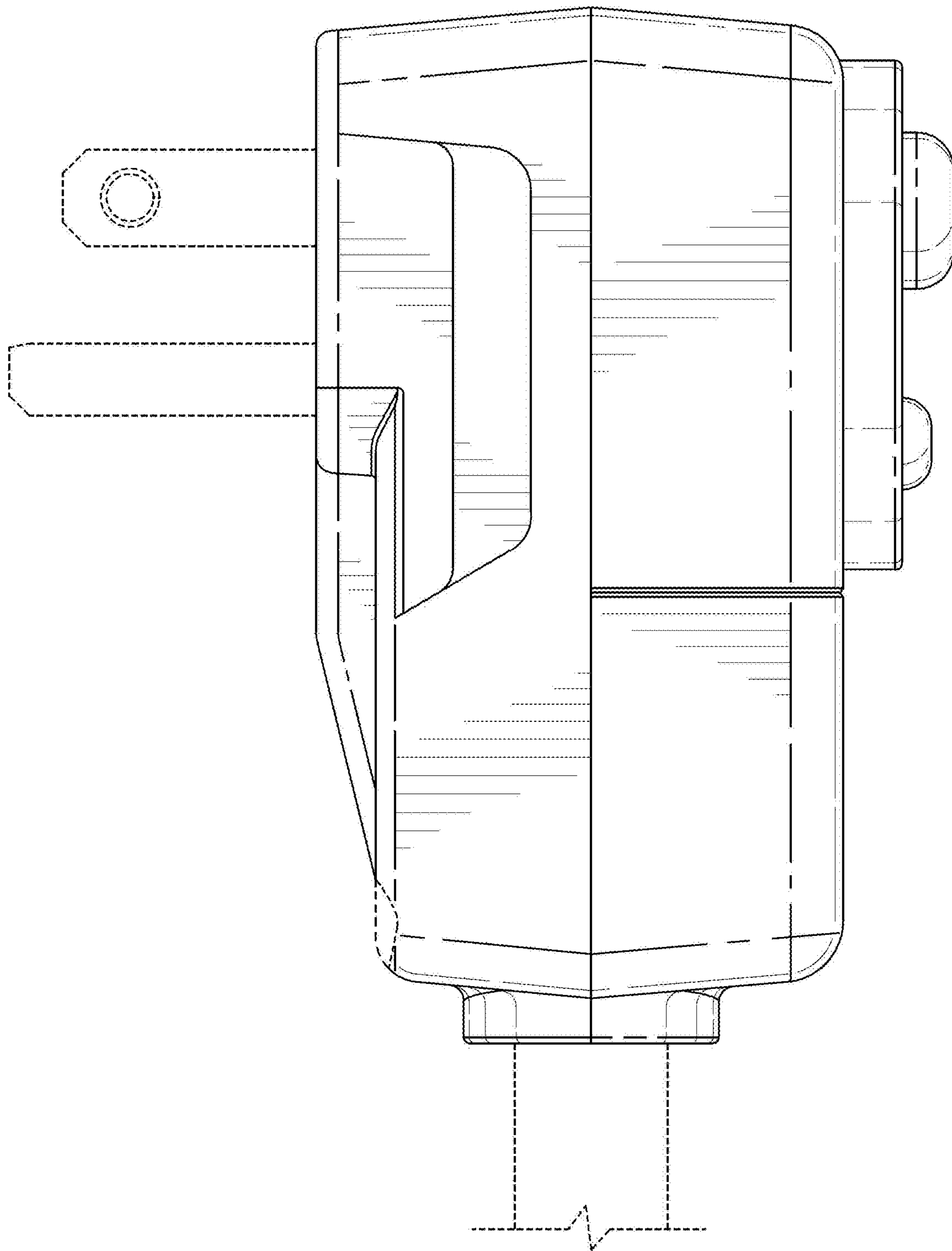


FIG. 4

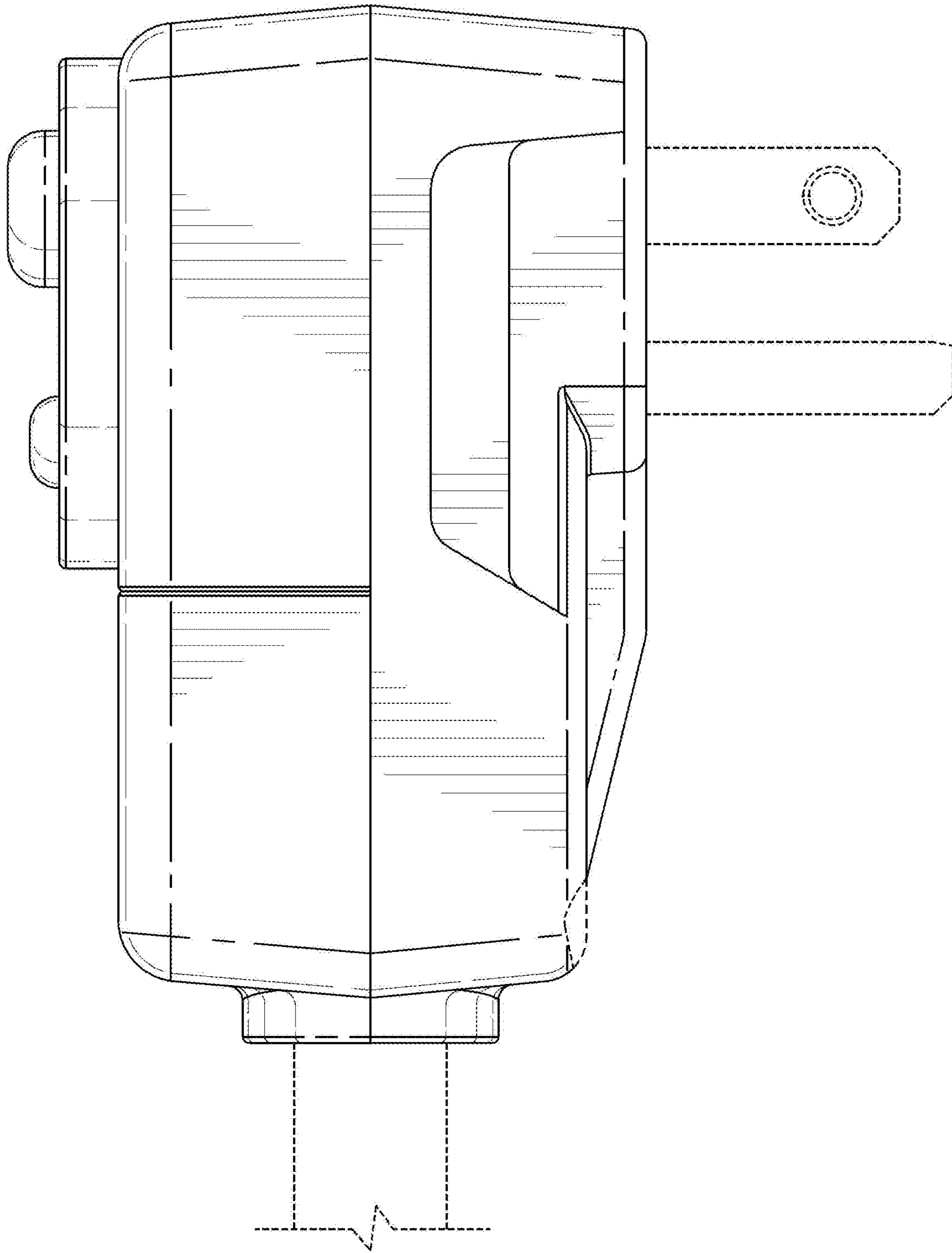


FIG. 5

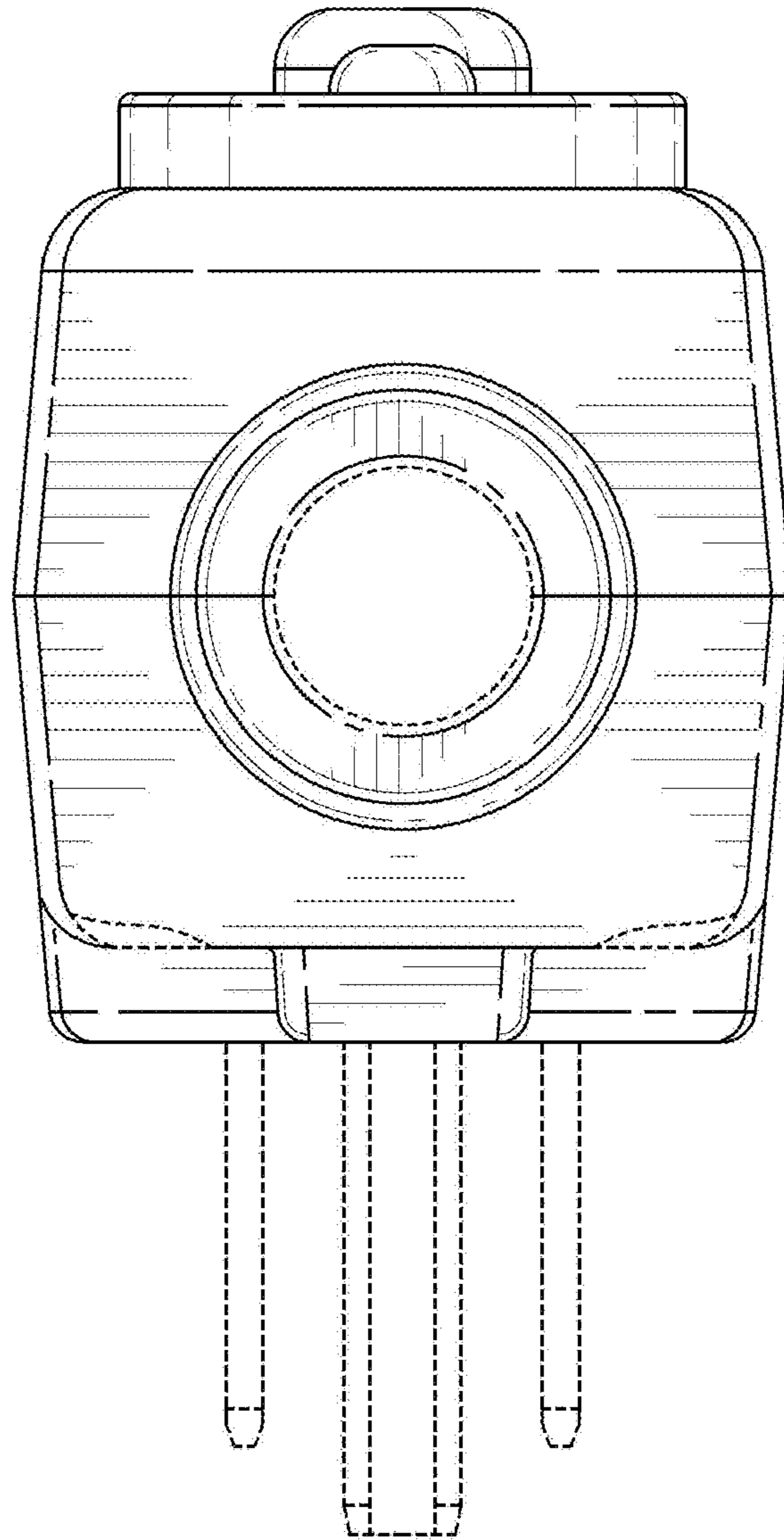


FIG. 6

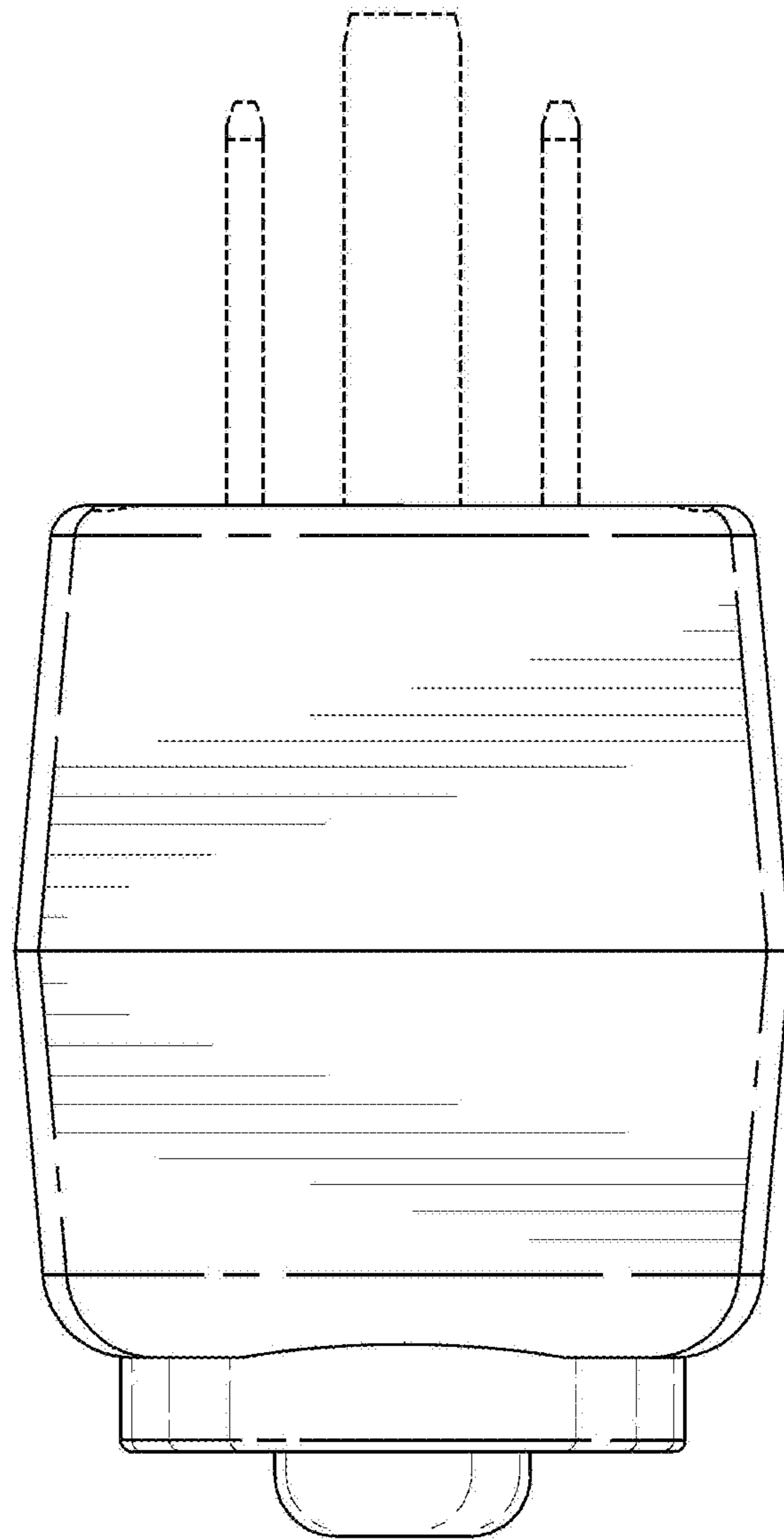


FIG. 7

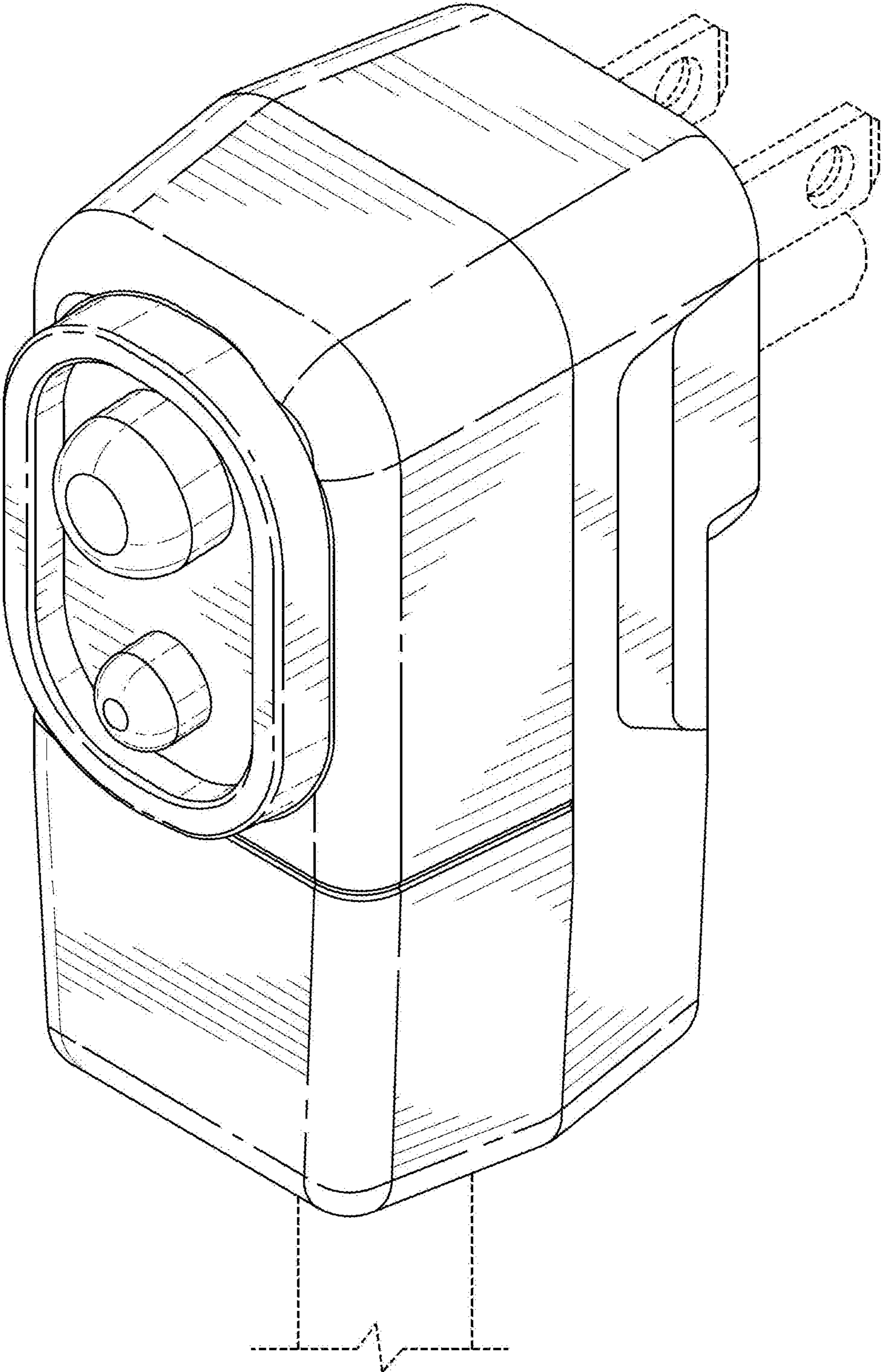


FIG. 8