



US00D893432S

(12) **United States Design Patent**
Murphy et al.

(10) **Patent No.:** **US D893,432 S**

(45) **Date of Patent:** **** Aug. 18, 2020**

(54) **HIGH VOLTAGE CHOPPER PANEL BUSBAR**

(71) Applicant: **Transportation IP Holdings, LLP,**
Norwalk, CT (US)

(72) Inventors: **Mark Allen Murphy,** Erie, PA (US);
Jeffrey John Wolff, Lawrence Park, PA
(US); **Jason Daniel Kuttenkuler,** Erie,
PA (US); **Henry Todd Young,** Erie, PA
(US)

(73) Assignee: **TRANSPORTATION IP HOLDINGS,**
LLC, Norwalk, CT (US)

(**) Term: **15 Years**

(21) Appl. No.: **29/650,744**

(22) Filed: **Jun. 8, 2018**

(51) **LOC (12) Cl.** **13-03**

(52) **U.S. Cl.**
USPC **D13/146**

(58) **Field of Classification Search**
USPC D13/133, 146, 147, 154, 184, 199
CPC H01R 25/14; H01R 25/142; H01R 25/145;
H01R 25/147; H01R 25/162; H02G 5/00;
H02G 5/005; H05K 2201/10272; H01L
31/0201

See application file for complete search history.

(56) **References Cited**

U.S. PATENT DOCUMENTS

D329,638 S * 9/1992 Sharp D13/154
D731,980 S * 6/2015 Dietel D13/147
D742,328 S * 11/2015 Murphy D13/147
D743,341 S * 11/2015 Jiang H02P 27/06
D13/147
D743,897 S * 11/2015 Krivonak D13/147
D743,901 S * 11/2015 Murphy D13/147

D759,602 S * 6/2016 Murphy D13/147
D760,661 S * 7/2016 Murphy D13/147
D782,981 S * 4/2017 Murphy D13/147
D794,574 S * 8/2017 Murphy D13/147
D795,198 S * 8/2017 Murphy D13/147
D798,822 S * 10/2017 Jiang D13/147
D845,906 S * 4/2019 Marten H01L 23/473
D13/147
D856,282 S * 8/2019 Pillsbury D13/133
2011/0235276 A1 * 9/2011 Hentschel H01L 23/473
361/699
2017/0179866 A1 * 6/2017 Murphy H02P 27/06

* cited by examiner

Primary Examiner — George D. Kirschbaum

Assistant Examiner — Joseph J Kukella

(74) *Attorney, Agent, or Firm* — McCoy Russell LLP

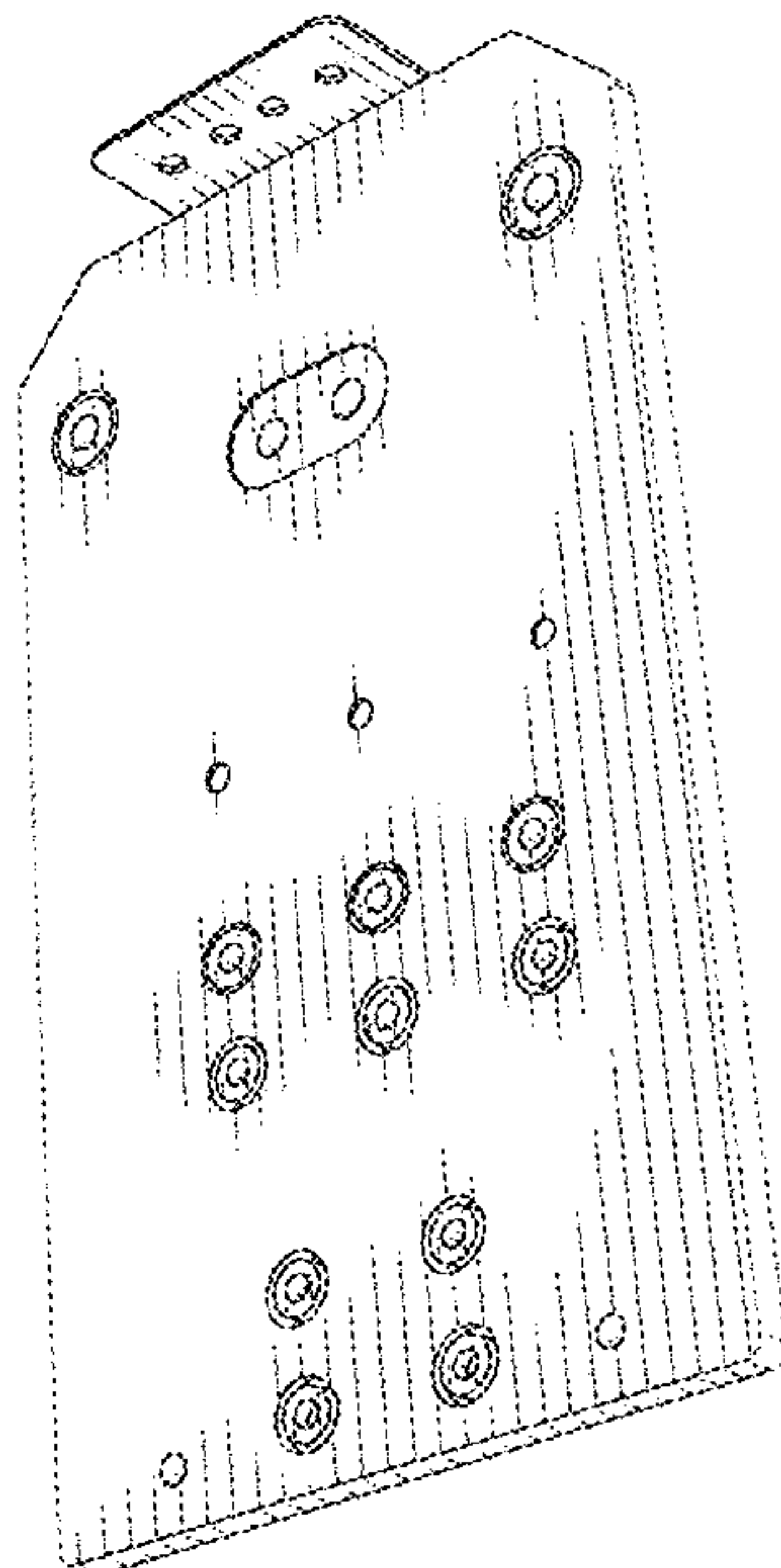
(57) **CLAIM**

The ornamental design for a high voltage chopper panel busbar, as shown and described.

DESCRIPTION

FIG. 1 is a perspective view of the front of a high voltage chopper panel busbar;
FIG. 2 is a front side view thereof;
FIG. 3 is a rear side view thereof;
FIG. 4 is a left side view thereof;
FIG. 5 is a right side view thereof;
FIG. 6 is a top side view thereof;
FIG. 7 is a bottom side view thereof; and,
FIG. 8 is a perspective view of the rear side.
The shading and contour lines in FIGS. 1-8 are for illustrative purposes only and form no part of the claimed design. The broken line portion of the figures is included to show unclaimed subject matter only and forms no part of the claimed design.

1 Claim, 6 Drawing Sheets



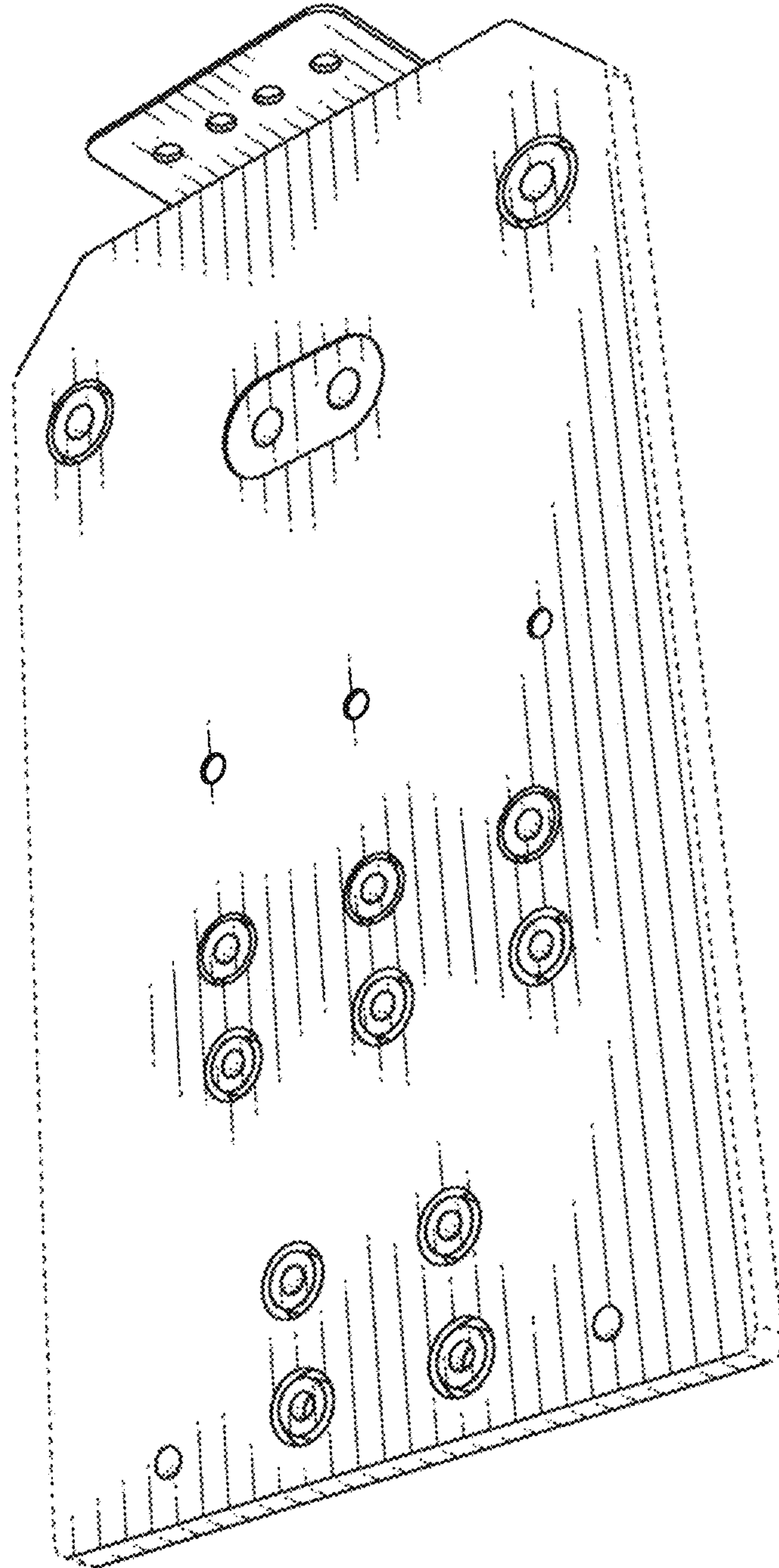


FIG. 1

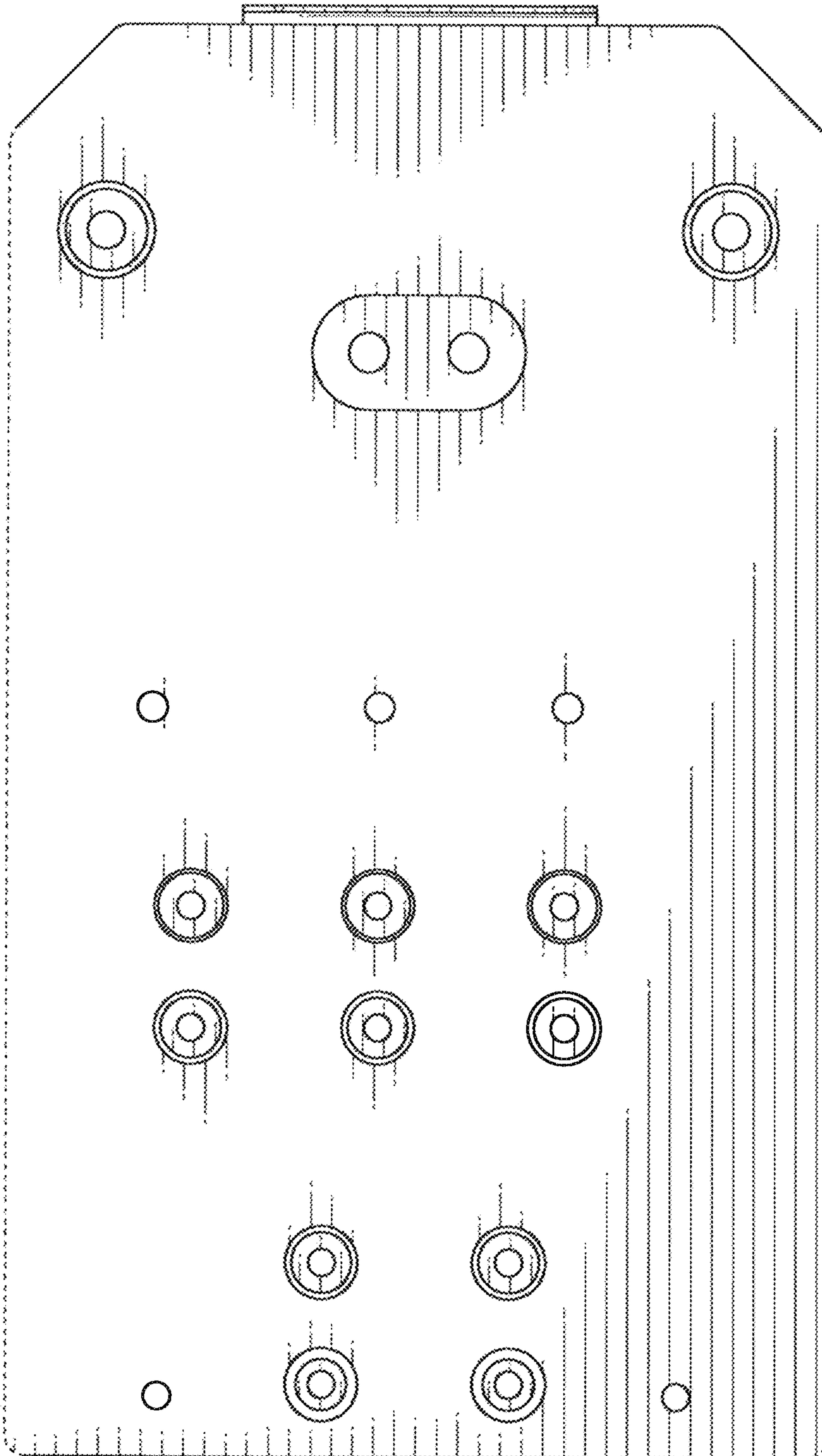


FIG. 2

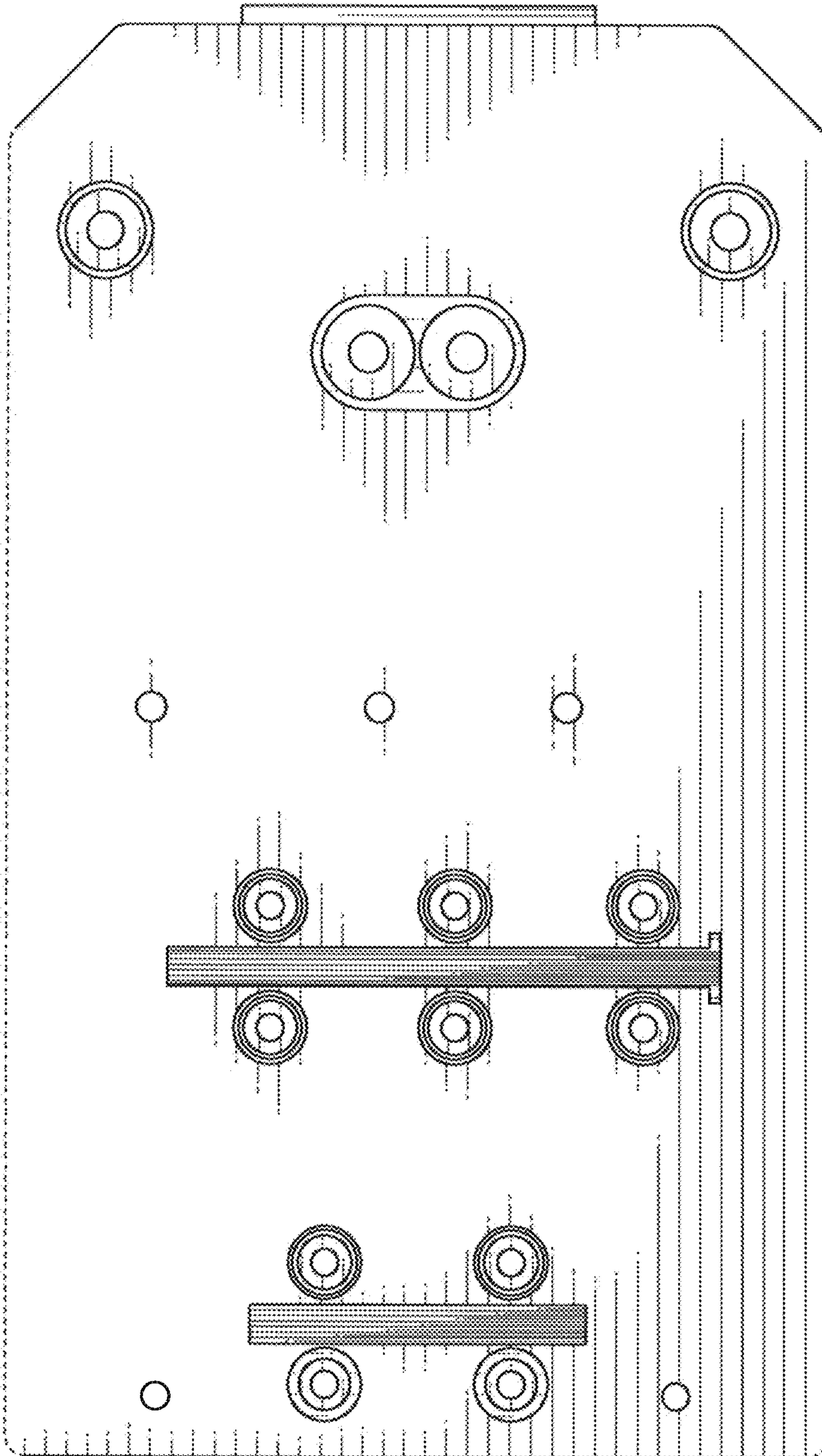


FIG. 3

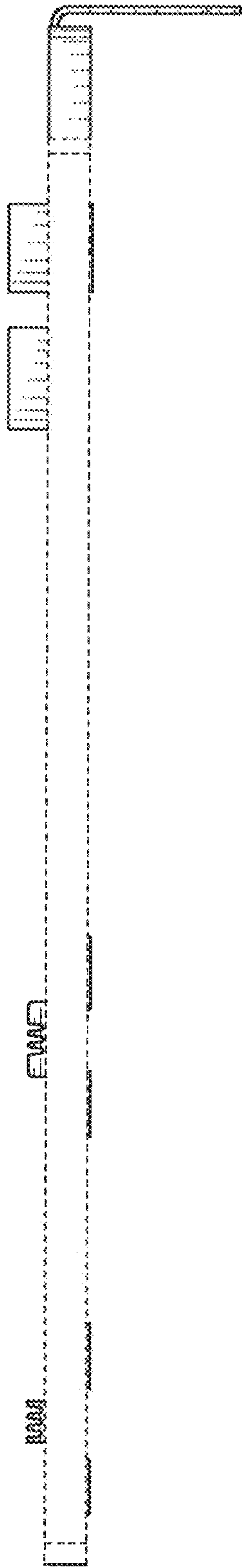


FIG. 4

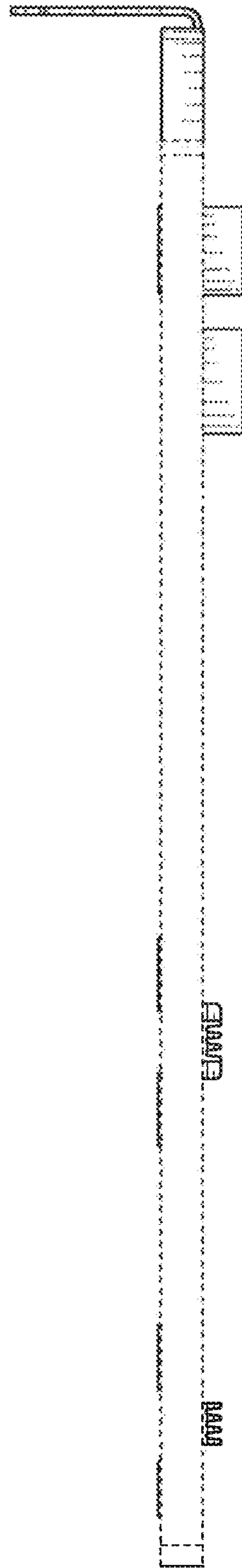


FIG. 5

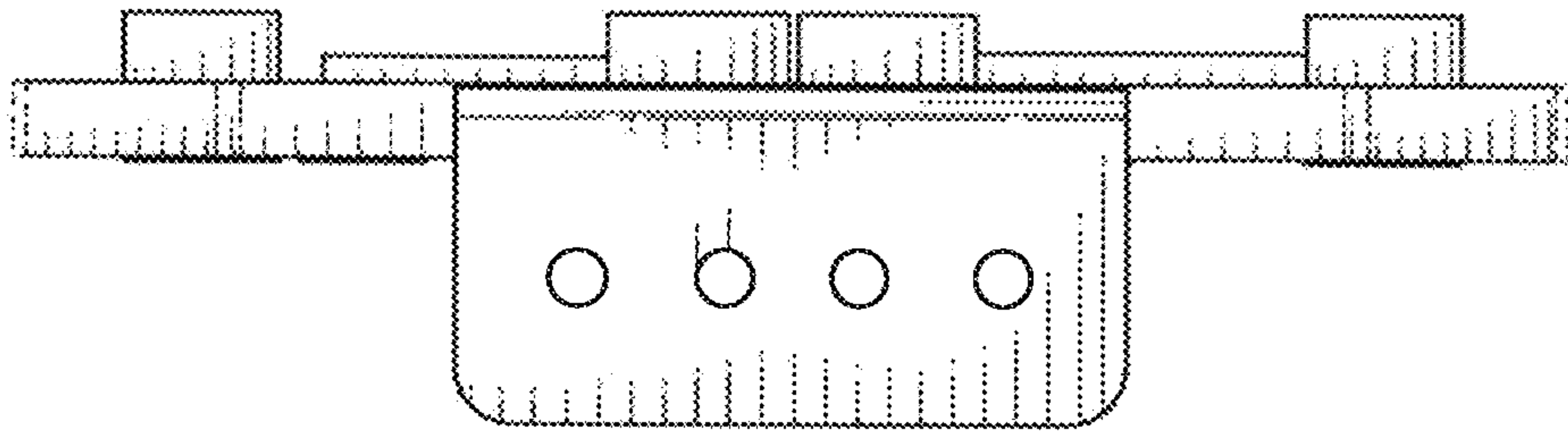


FIG. 6

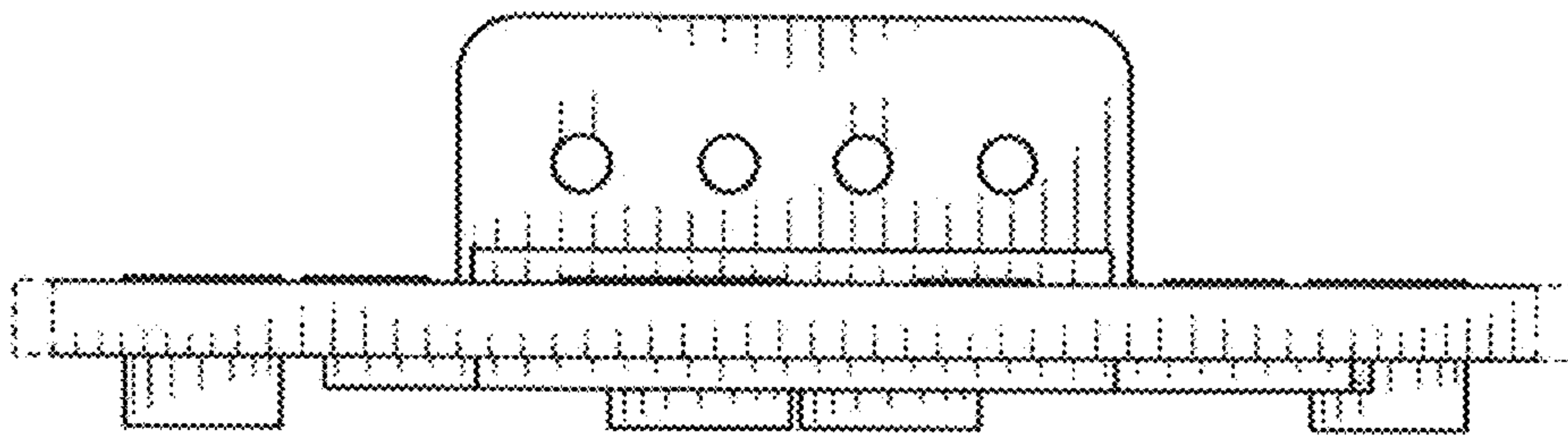


FIG. 7

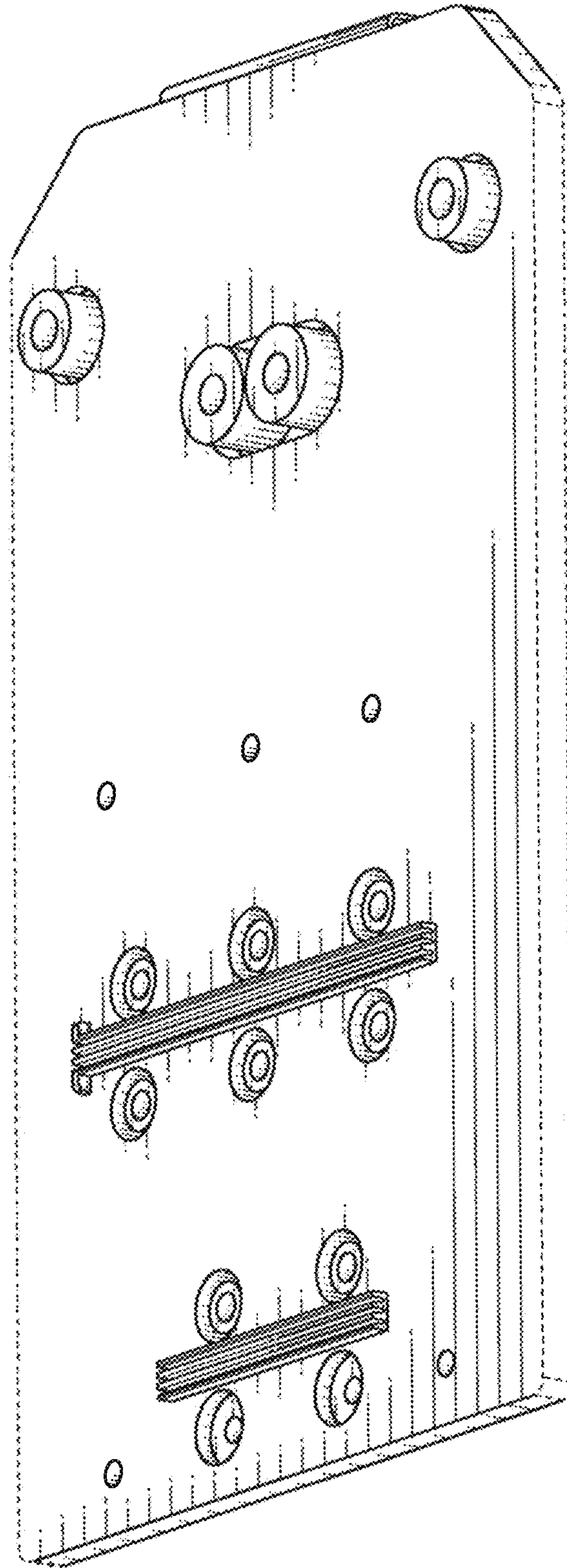


FIG. 8