



US00D893429S

(12) **United States Design Patent**
Daoust et al.

(10) **Patent No.:** **US D893,429 S**

(45) **Date of Patent:** **** Aug. 18, 2020**

(54) **CONNECTOR SLEEVE WITH CUTOUT**

(71) Applicant: **PPC BROADBAND, INC.**, East
Syracuse, NY (US)

(72) Inventors: **Daniel Daoust**, Syracuse, NY (US);
Harold Watkins, Chittenango, NY
(US); **Steve Stankovski**, Clay, NY
(US); **Bradford Morse**, Syracuse, NY
(US)

(73) Assignee: **PPC BROADBAND, INC.**, East
Syracuse, NY (US)

(**) Term: **15 Years**

(21) Appl. No.: **29/683,180**

(22) Filed: **Mar. 11, 2019**

(51) **LOC (12) Cl.** **13-03**

(52) **U.S. Cl.**
USPC **D13/133; D13/156**

(58) **Field of Classification Search**
USPC D13/133, 146, 147, 150, 151, 154, 156;
D8/382, 397; D23/259, 262; D24/129
CPC H01R 4/24; H01R 4/22; H01R 9/05
See application file for complete search history.

(56) **References Cited**

U.S. PATENT DOCUMENTS

D302,729 S *	8/1989	Stephens	D24/129
D460,947 S *	7/2002	Montena	D13/154
D641,467 S *	7/2011	Amann	D24/129
D746,447 S *	12/2015	Wheeler	D24/129
D784,529 S *	4/2017	Steele	D24/129
D810,024 S *	2/2018	Watkins	D13/133
D810,025 S *	2/2018	Watkins	D13/133
D810,684 S *	2/2018	Watkins	D13/133
D810,685 S *	2/2018	Watkins	D13/133
D834,532 S *	11/2018	Maroney	D13/154

D837,743 S *	1/2019	Maroney	D13/154
D848,377 S *	5/2019	Maroney	D13/154
D861,162 S *	9/2019	Gulliver	D24/129
D872,024 S *	1/2020	Watkins	D13/133
D872,025 S *	1/2020	Watkins	D13/133
D873,221 S *	1/2020	Thakare	D13/154

OTHER PUBLICATIONS

Adapter, Mar. 18, 2014, [online], [site visited Mar. 31, 2020/], Available from Internet URL: <<https://www.amazon.com/>> (Year: 2014).*

AFD Series Connector, Oct. 26, 2020, [online], [site visited Mar. 31, 2020], Available from Internet URL: https://www.peigenesis.com/images/content/pei_tabs/deutsch/26482-series-ii/new-thumbnails/29-44_afd_26482_series.pdf (Year: 2017).

* cited by examiner

Primary Examiner — Karen E Kearney

Assistant Examiner — Michael Chong

(74) *Attorney, Agent, or Firm* — MH2 Technology Law Group, LLP

(57) **CLAIM**

The ornamental design for a connector sleeve with cutout, as shown and described.

DESCRIPTION

FIG. 1 is a front, top, left-side view of the connector sleeve with cutout;

FIG. 2 is a front elevational view thereof;

FIG. 3 is a rear elevational view thereof;

FIG. 4 is a right-side elevational view thereof;

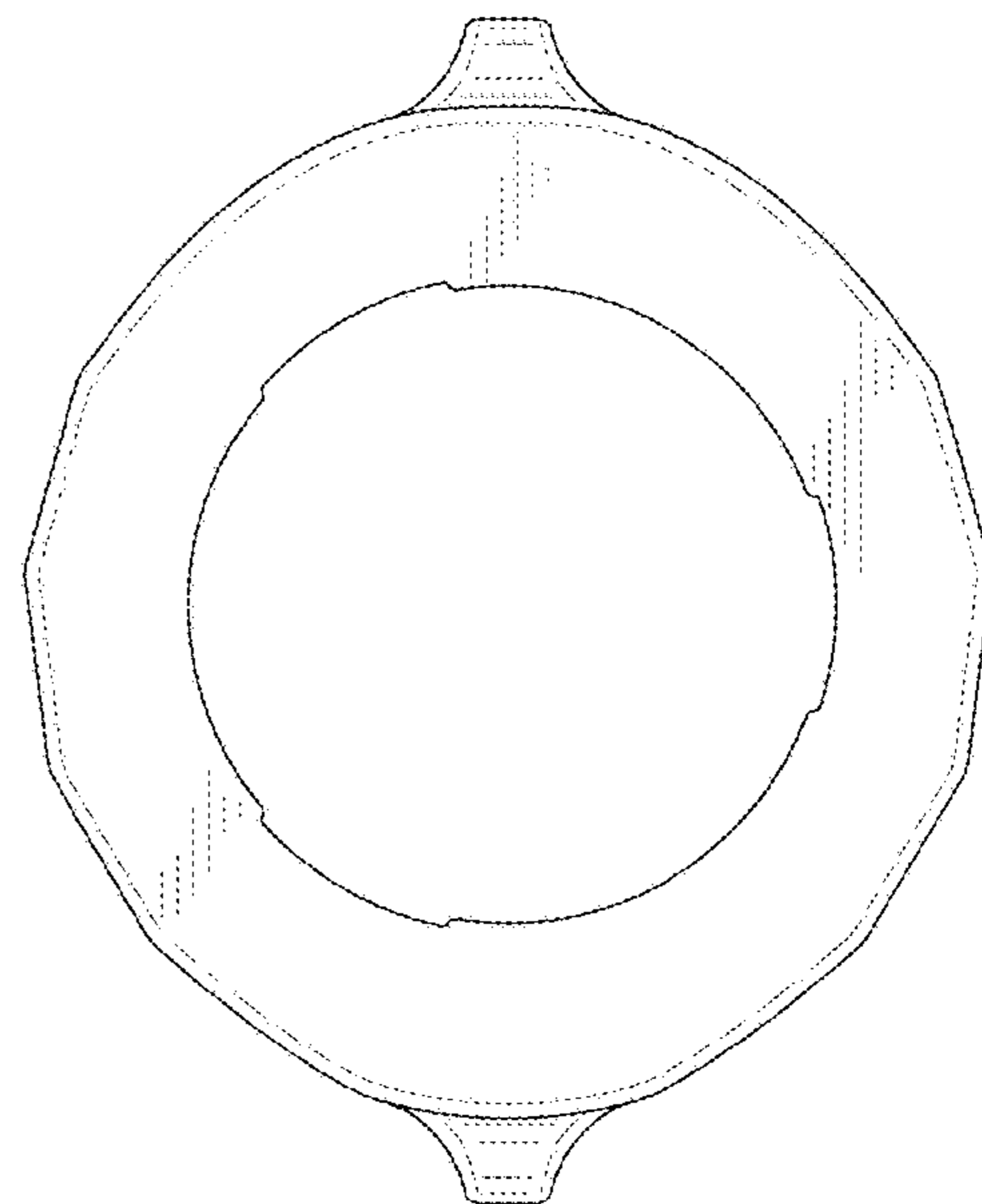
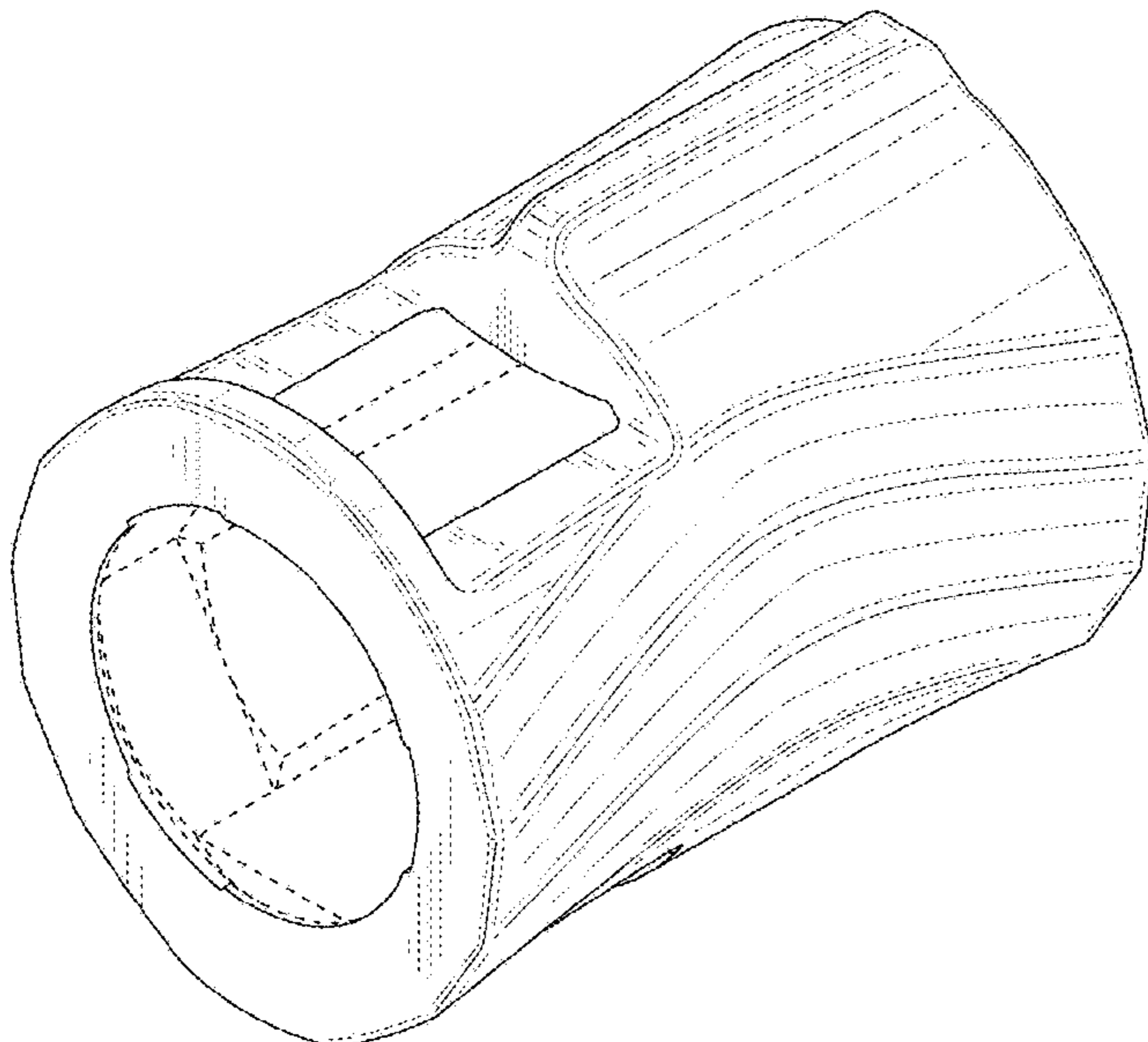
FIG. 5 is a left-side elevational view thereof;

FIG. 6 is a top plan view thereof; and,

FIG. 7 is a bottom plan view thereof.

The broken lines in the drawings depict portions of the connector sleeve with cutout that form no part of the claimed design.

1 Claim, 7 Drawing Sheets



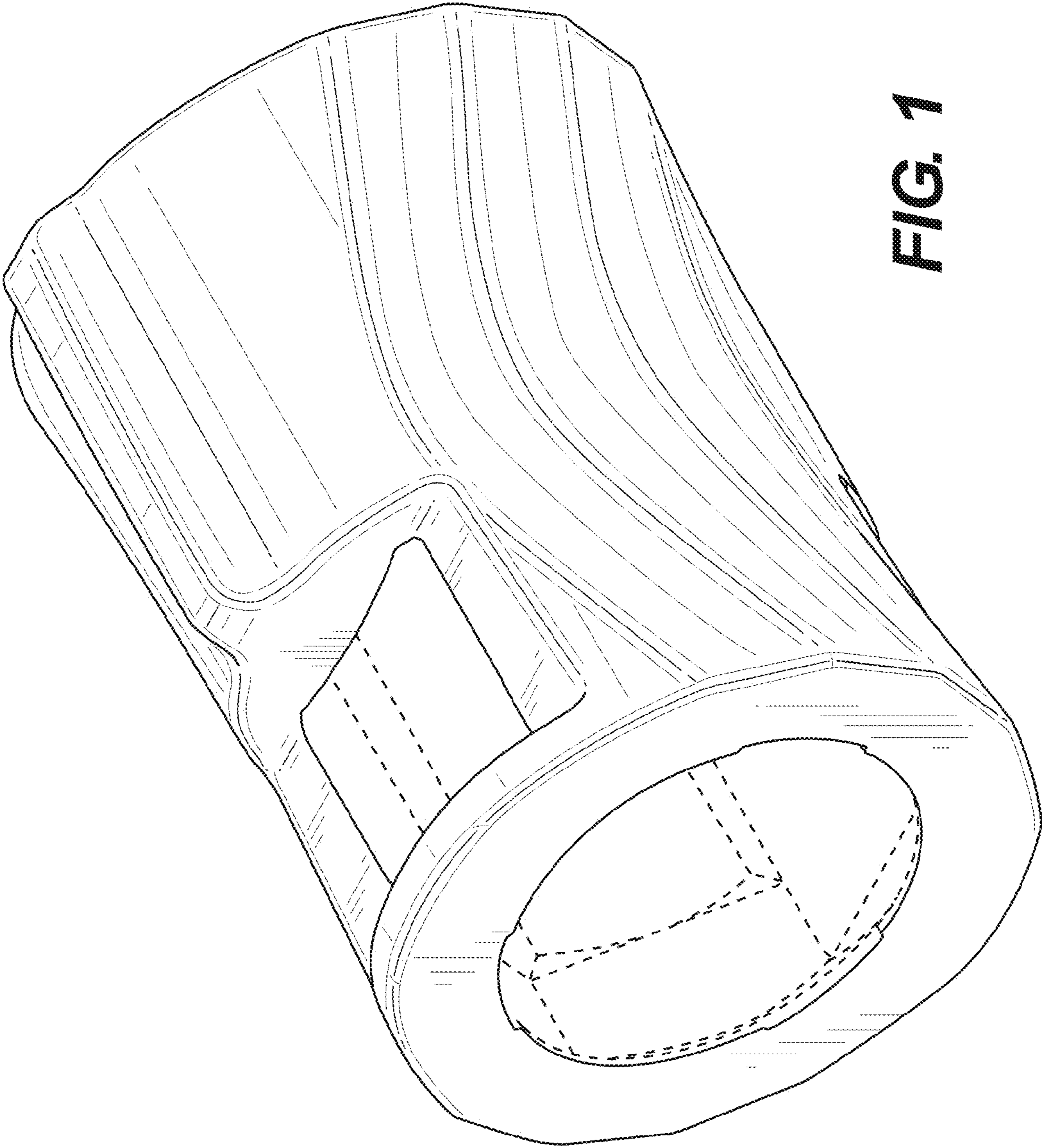


FIG. 1

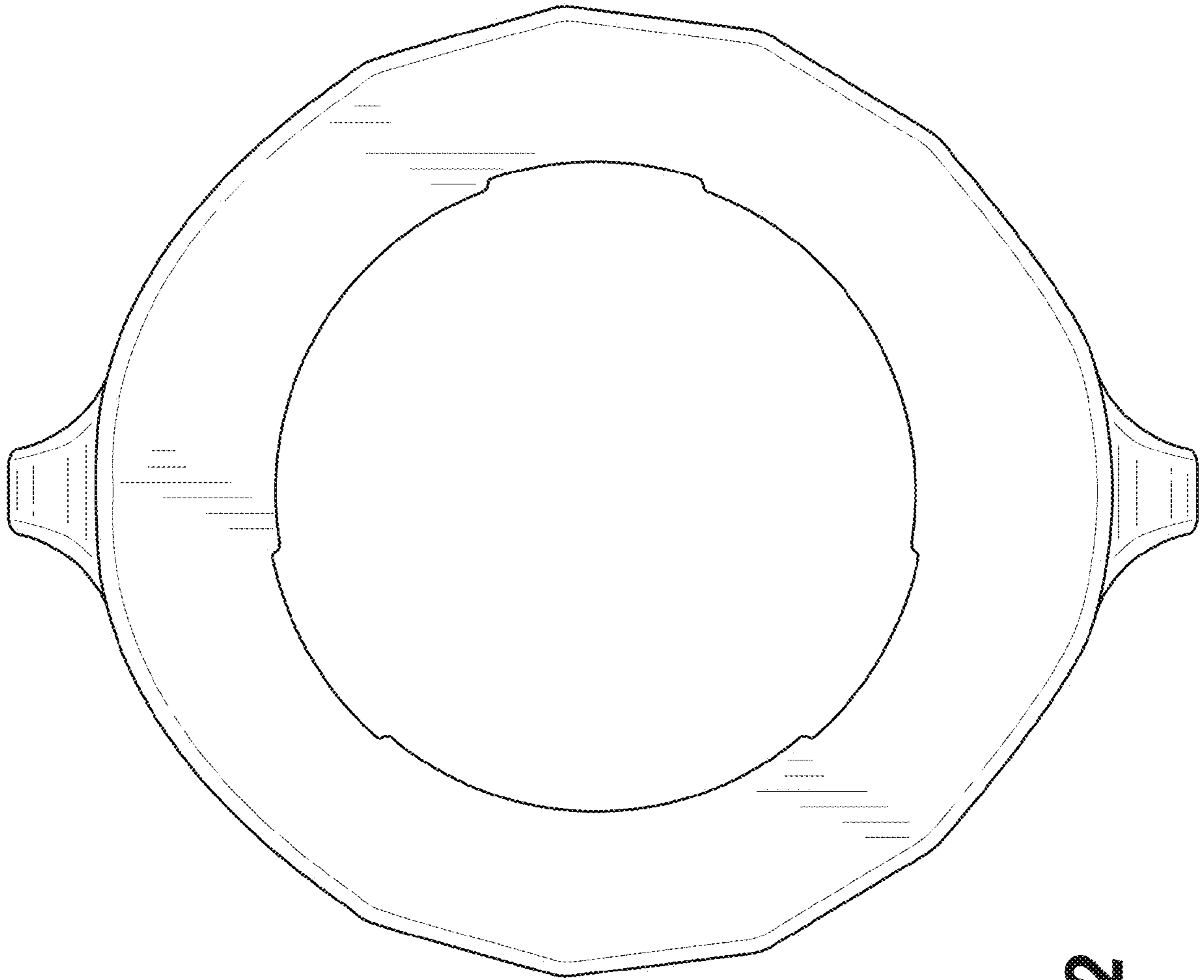


FIG. 2

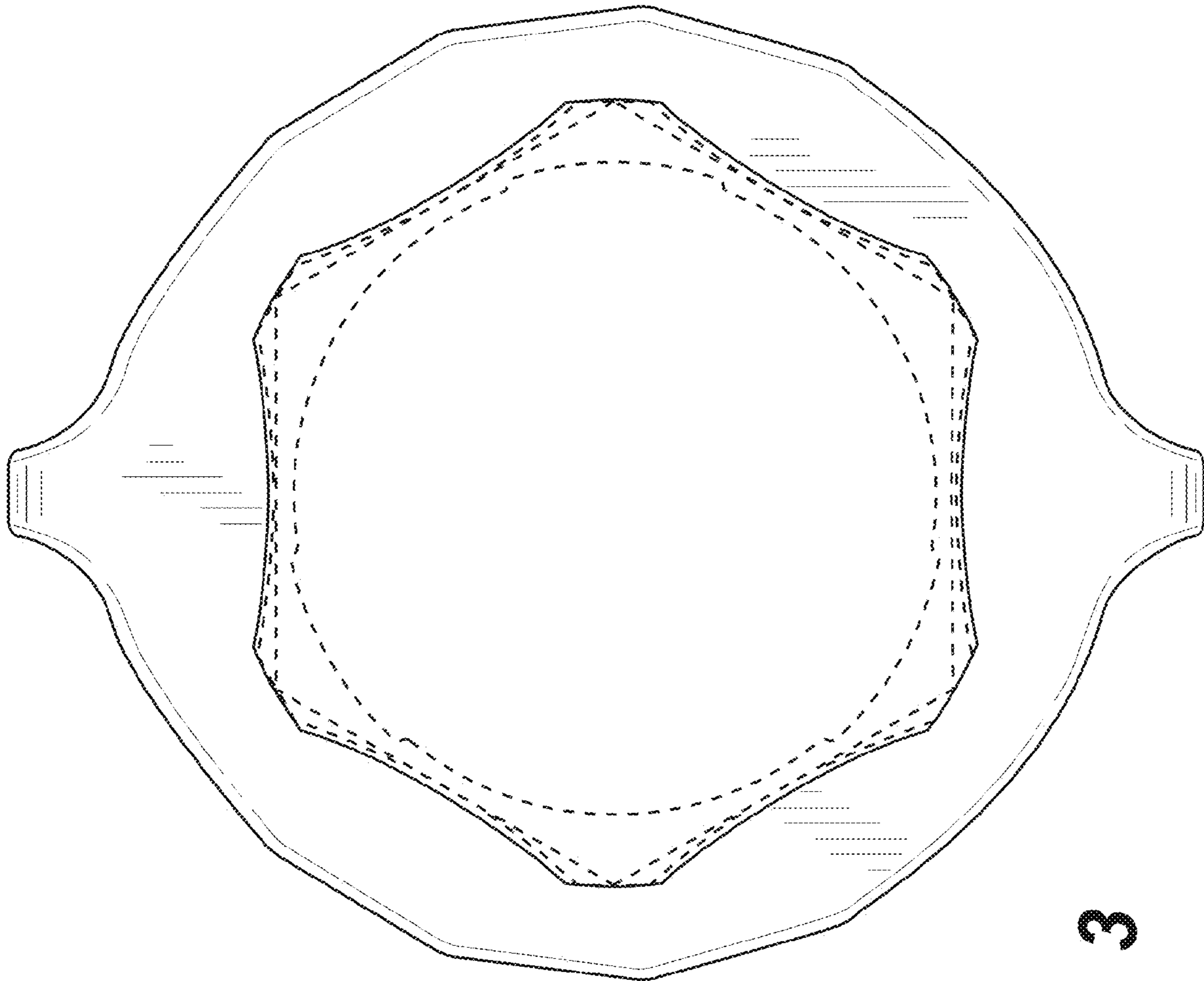


FIG. 3

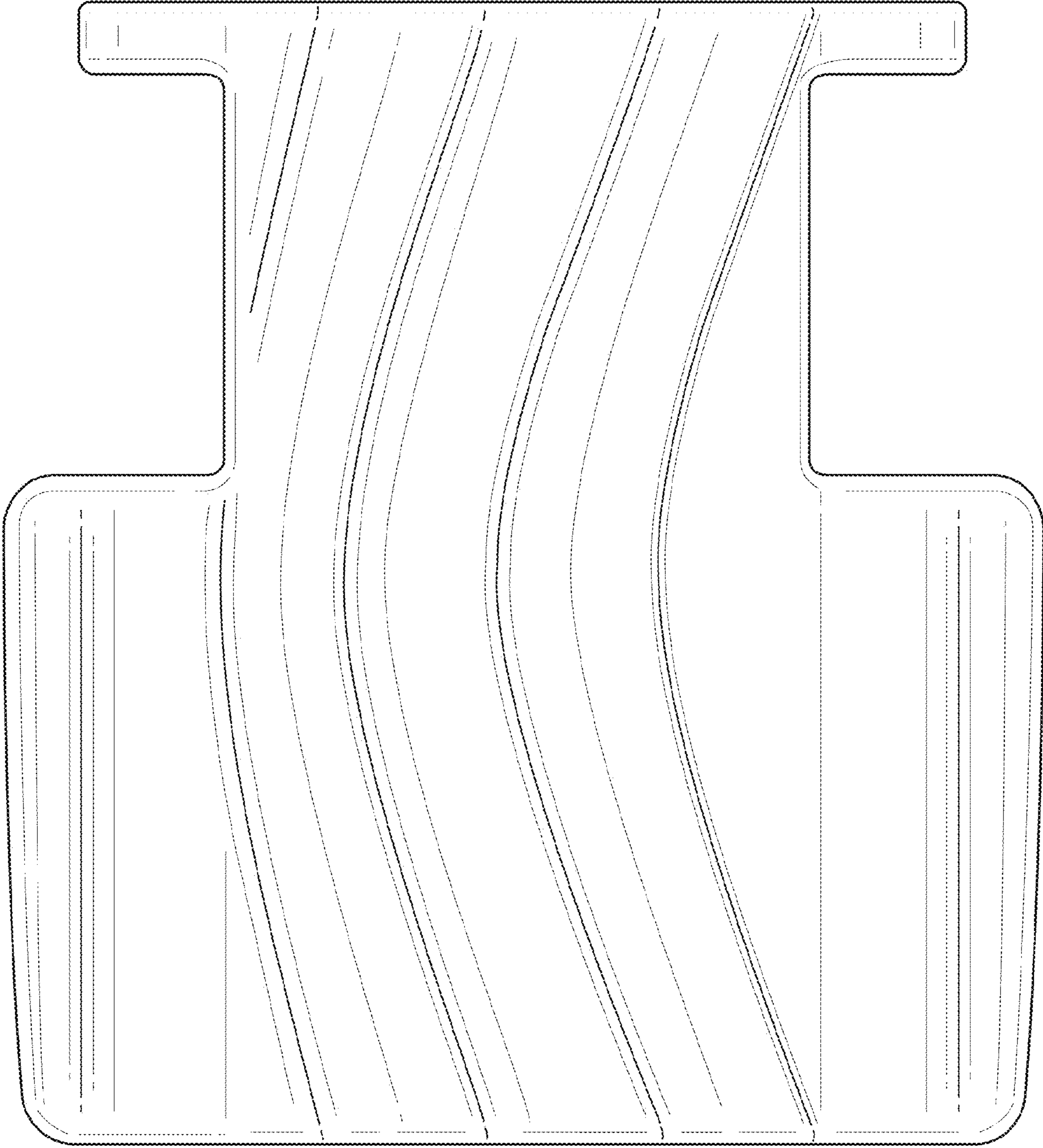


FIG. 4

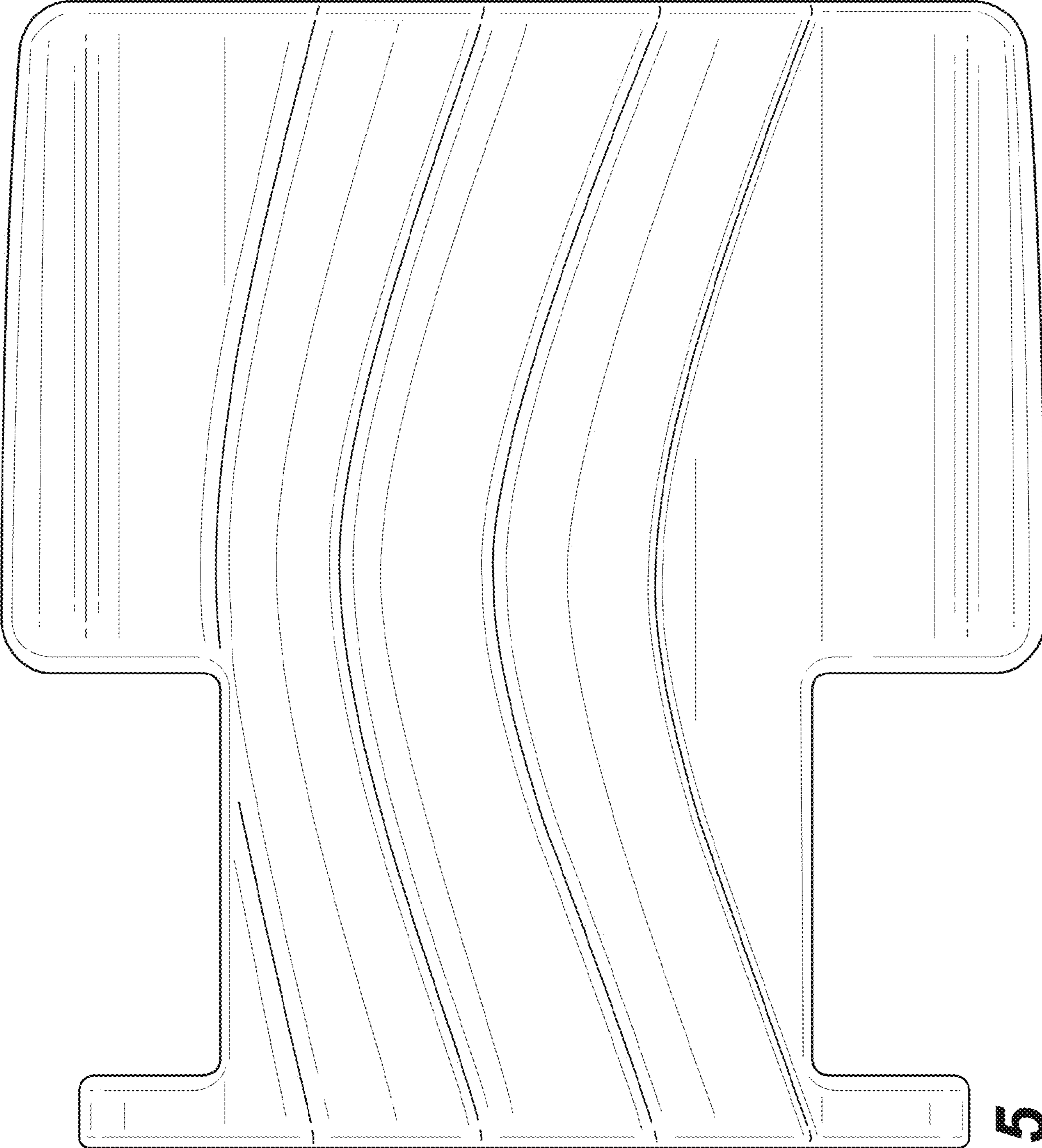


FIG. 5

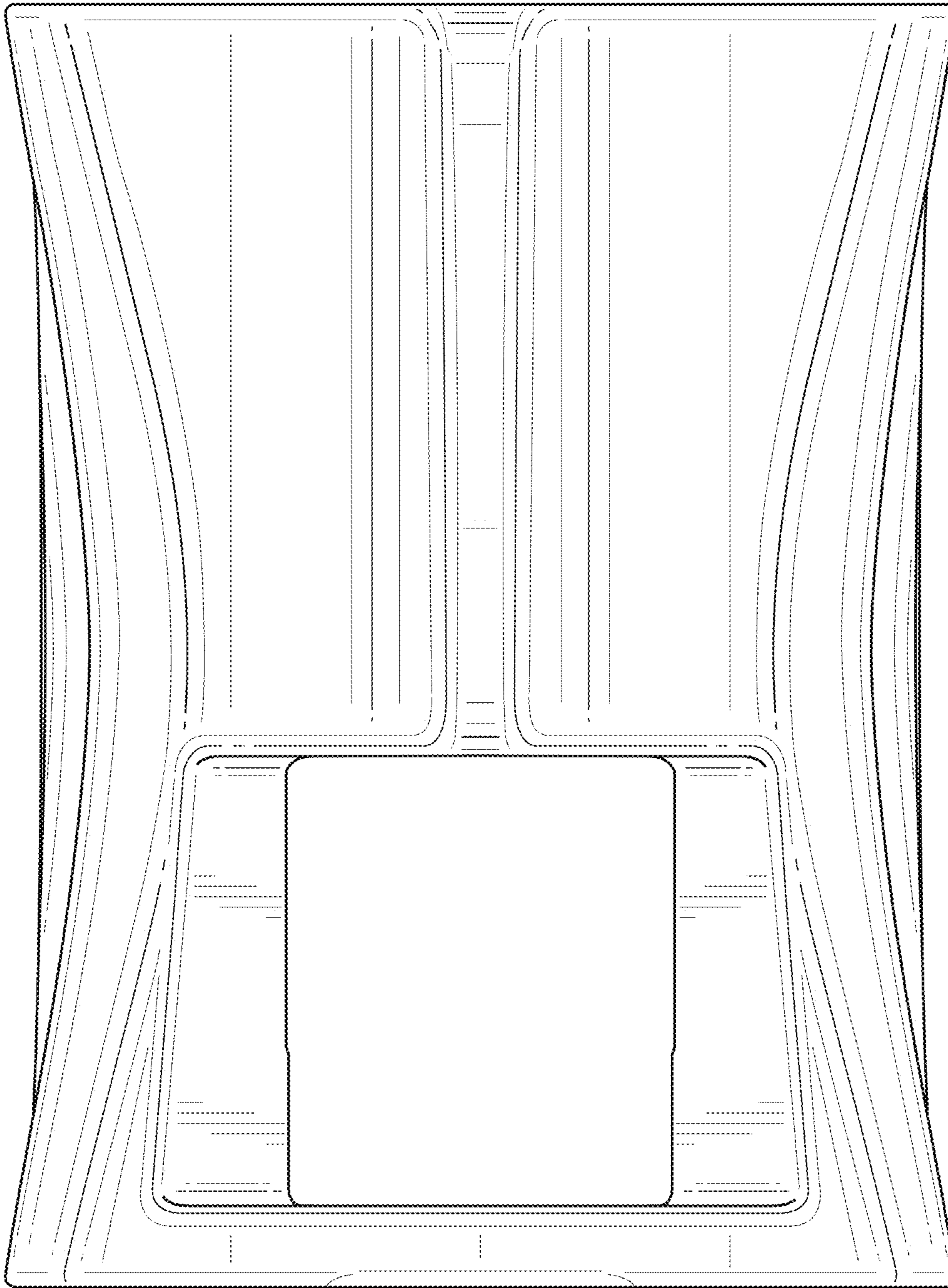


FIG. 6

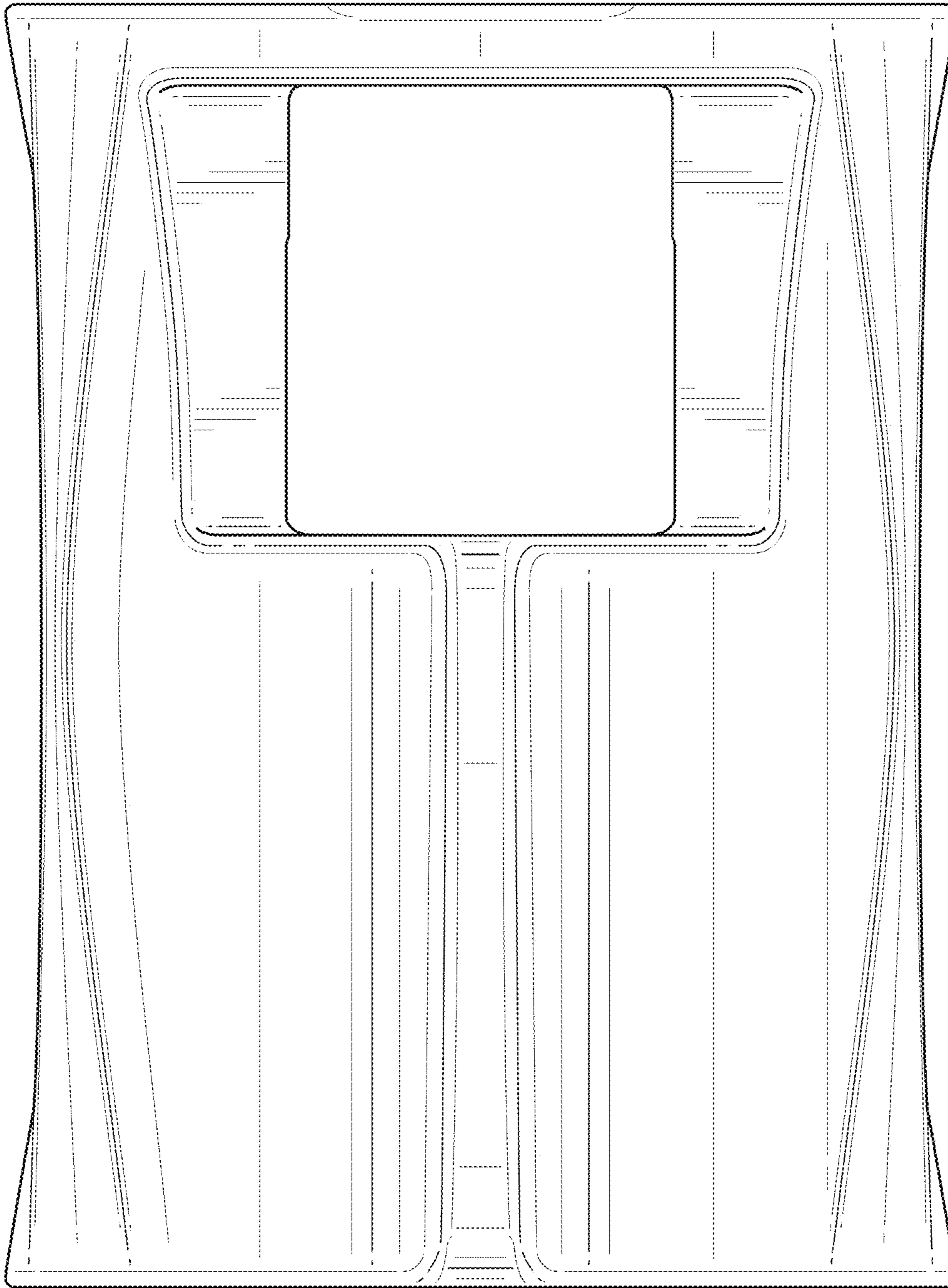


FIG. 7