



US00D893427S

(12) **United States Design Patent** (10) **Patent No.:** **US D893,427 S**
Somanathapura Ramanna et al. (45) **Date of Patent:** **** Aug. 18, 2020**

(54) **CONNECTOR HOUSING**

(71) Applicant: **Molex, LLC**, Lisle, IL (US)

(72) Inventors: **Nrupathunga Chakravarthy Somanathapura Ramanna**, Bangalore (IN); **KrishnaPrasad Darbal Somanath**, Bangalore (IN); **Michael Gonzalez**, Lisle, IL (US)

(73) Assignee: **Molex, LLC**, Lisle, IL (US)

(**) Term: **15 Years**

(21) Appl. No.: **29/681,972**

(22) Filed: **Feb. 28, 2019**

(51) **LOC (12) Cl.** **13-03**

(52) **U.S. Cl.**
USPC **D13/133; D13/147**

(58) **Field of Classification Search**
USPC **D3/203.1-3, 209; D11/101; D13/118, D13/123, 133, 146, 147, 155, 184, 199**
(Continued)

(56) **References Cited**

U.S. PATENT DOCUMENTS

D472,524 S * 4/2003 Yamawaki D13/147
8,282,400 B2 * 10/2012 Yang H01R 13/6597
439/55

(Continued)

OTHER PUBLICATIONS

Toy Rocket, Jul. 31, 2018, [online], [site visited Apr. 8, 2020], Available from Internet URL: https://www.amazon.com/Play22-Toy-Rocket-Launcher-Original/dp/B07D3G1C5D/ref=cm_cr_ar_p_d_ptd_img_top?ie=UTF8 (Year: 2018).*

Primary Examiner — Karen E Kearney

Assistant Examiner — Michael Chong

(74) *Attorney, Agent, or Firm* — Banner & Witcoff, Ltd.

(57) **CLAIM**

The ornamental design for a connector housing, as shown and described.

DESCRIPTION

FIG. 1 is a front top perspective view of a connector housing showing our new design;
 FIG. 2 is a front bottom perspective view thereof;
 FIG. 3 is a rear perspective view thereof;
 FIG. 4 is a front view thereof;
 FIG. 5 is a rear view thereof;
 FIG. 6 is a bottom view thereof;
 FIG. 7 is a top view thereof;
 FIG. 8 is a left side view thereof;
 FIG. 9 is a right side view thereof;
 FIG. 10 is a front top perspective view of an alternate embodiment of a connector housing showing our new design;
 FIG. 11 is a front bottom perspective view thereof;
 FIG. 12 is a rear perspective view thereof;
 FIG. 13 is a front view thereof;
 FIG. 14 is a rear view thereof;
 FIG. 15 is a bottom view thereof;
 FIG. 16 is a top view thereof;
 FIG. 17 is a left side view thereof;
 FIG. 18 is a right side view thereof;
 FIG. 19 is a front top perspective view of an alternate embodiment of a connector housing showing our new design;
 FIG. 20 is a front bottom perspective view thereof;
 FIG. 21 is a rear perspective view thereof;
 FIG. 22 is a front view thereof;
 FIG. 23 is a rear view thereof;
 FIG. 24 is a bottom view thereof;
 FIG. 25 is a top view thereof;
 FIG. 26 is a left side view thereof;
 FIG. 27 is a right side view thereof;
 FIG. 28 is a front top perspective view of an alternate embodiment of a connector housing showing our new design;
 FIG. 29 is a front bottom perspective view thereof;

(Continued)

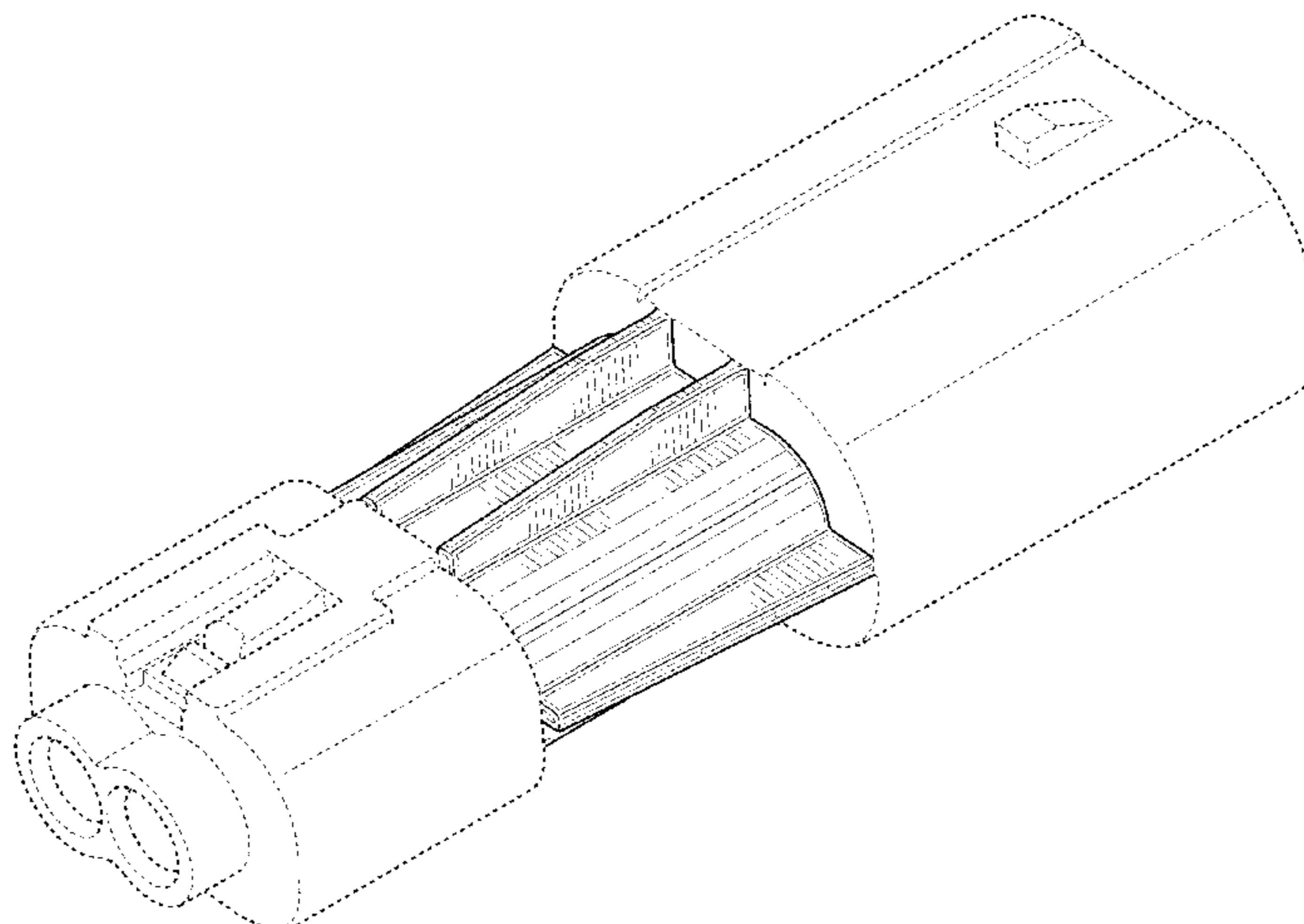


FIG. 30 is a rear perspective view thereof;
FIG. 31 is a front view thereof;
FIG. 32 is a rear view thereof;
FIG. 33 is a bottom view thereof;
FIG. 34 is a top view thereof;
FIG. 35 is a left side view thereof; and,
FIG. 36 is a right side view thereof.

The broken lines immediately adjacent to the shaded areas represent the bounds of the claimed design and form no part thereof. The broken lines depicting the remainder of the connector housing show features that form no part of the claimed design.

1 Claim, 36 Drawing Sheets

(58) **Field of Classification Search**

CPC H01R 12/88; H01R 12/29; H01R 13/52;
H01R 13/506; H01R 13/516; H01R
13/518; H01R 13/58; H01R 13/627;
H01R 13/6315; H01R 13/6586; H01R
13/6597; H01R 13/24; H01R 13/5205

See application file for complete search history.

(56) **References Cited**

U.S. PATENT DOCUMENTS

D787,460	S	*	5/2017	Finona	D13/184
D848,953	S	*	5/2019	Gregori	D13/147
D849,688	S	*	5/2019	Gregori	D13/147

* cited by examiner

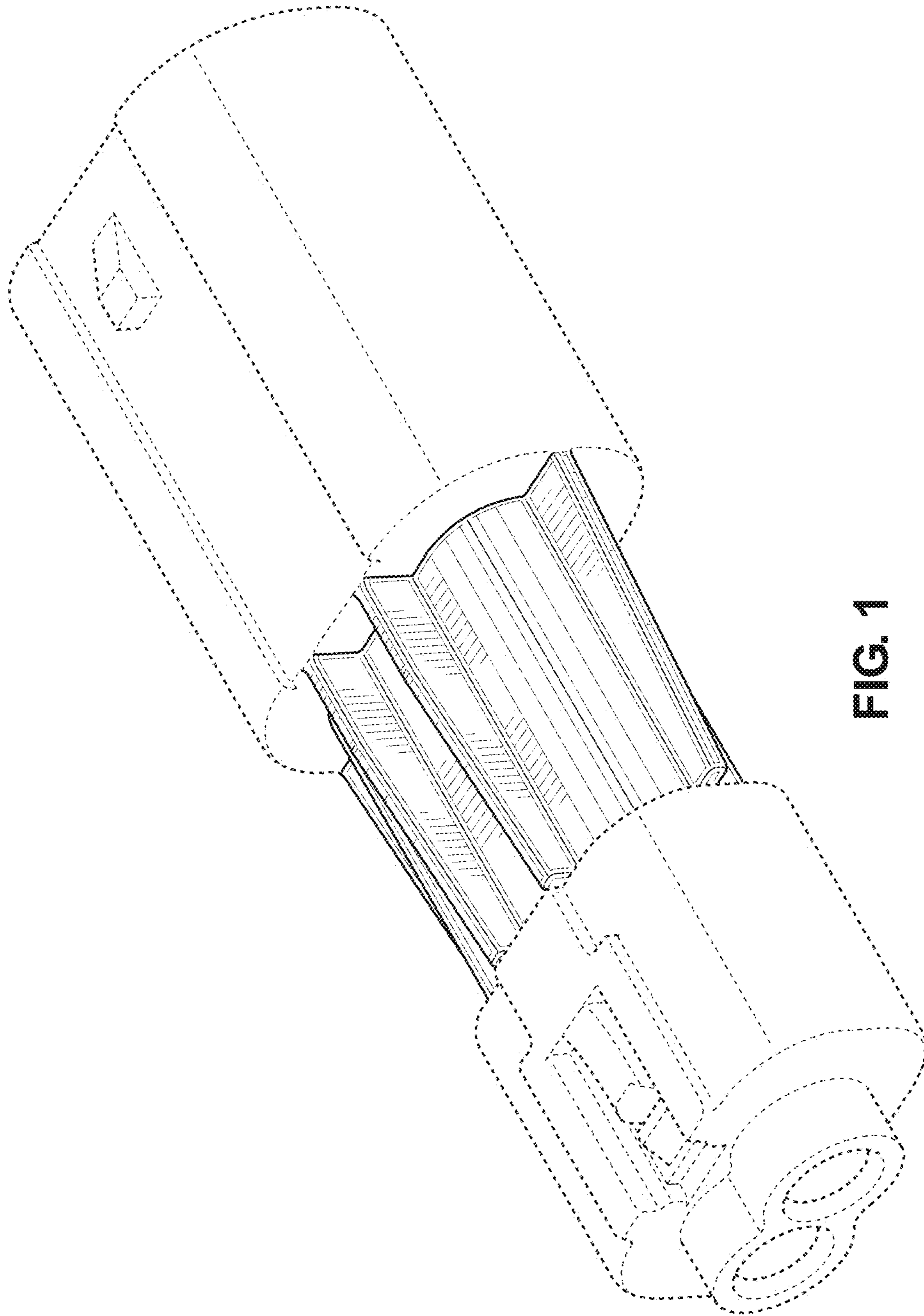


FIG. 1

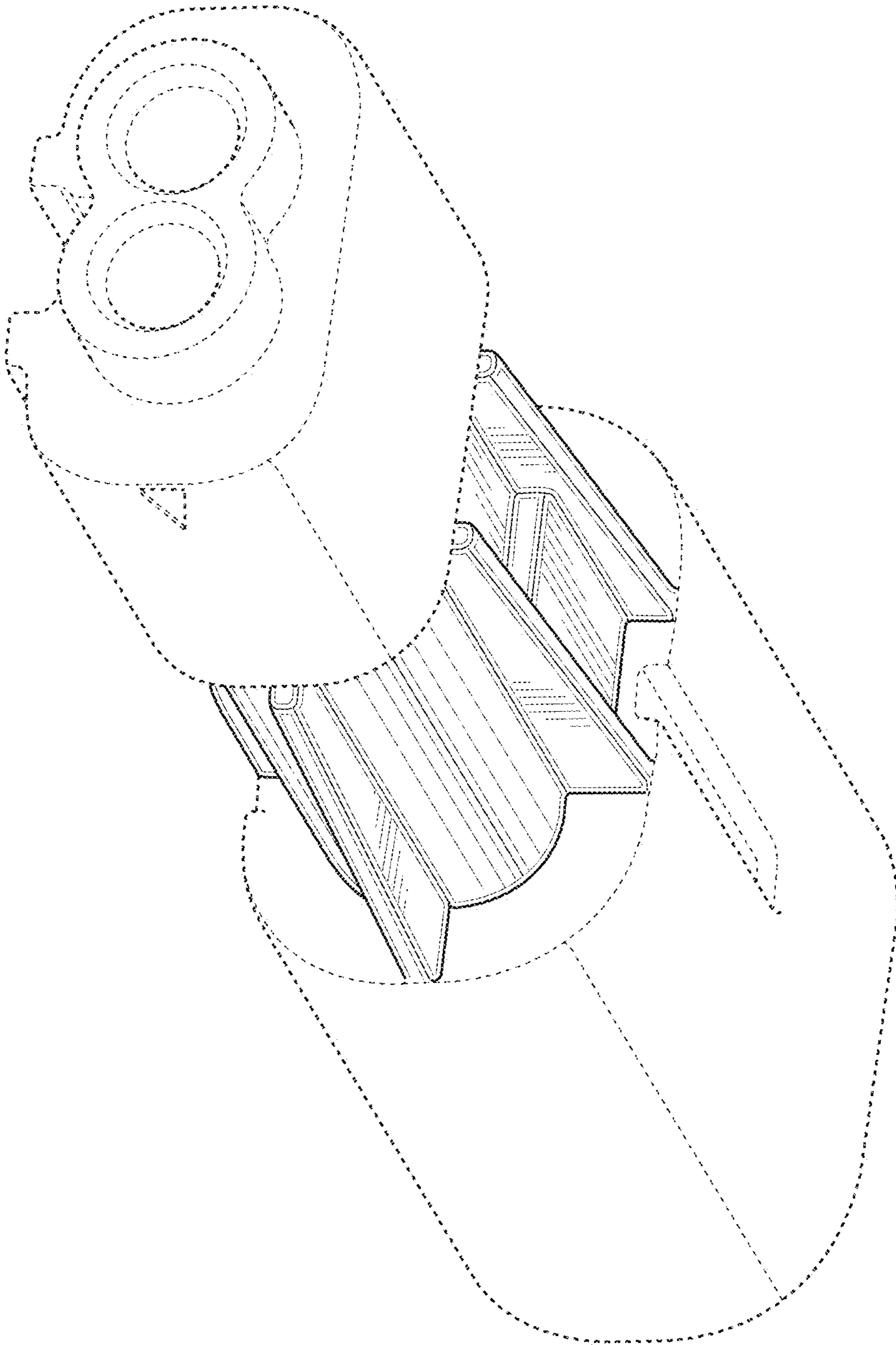


FIG. 2

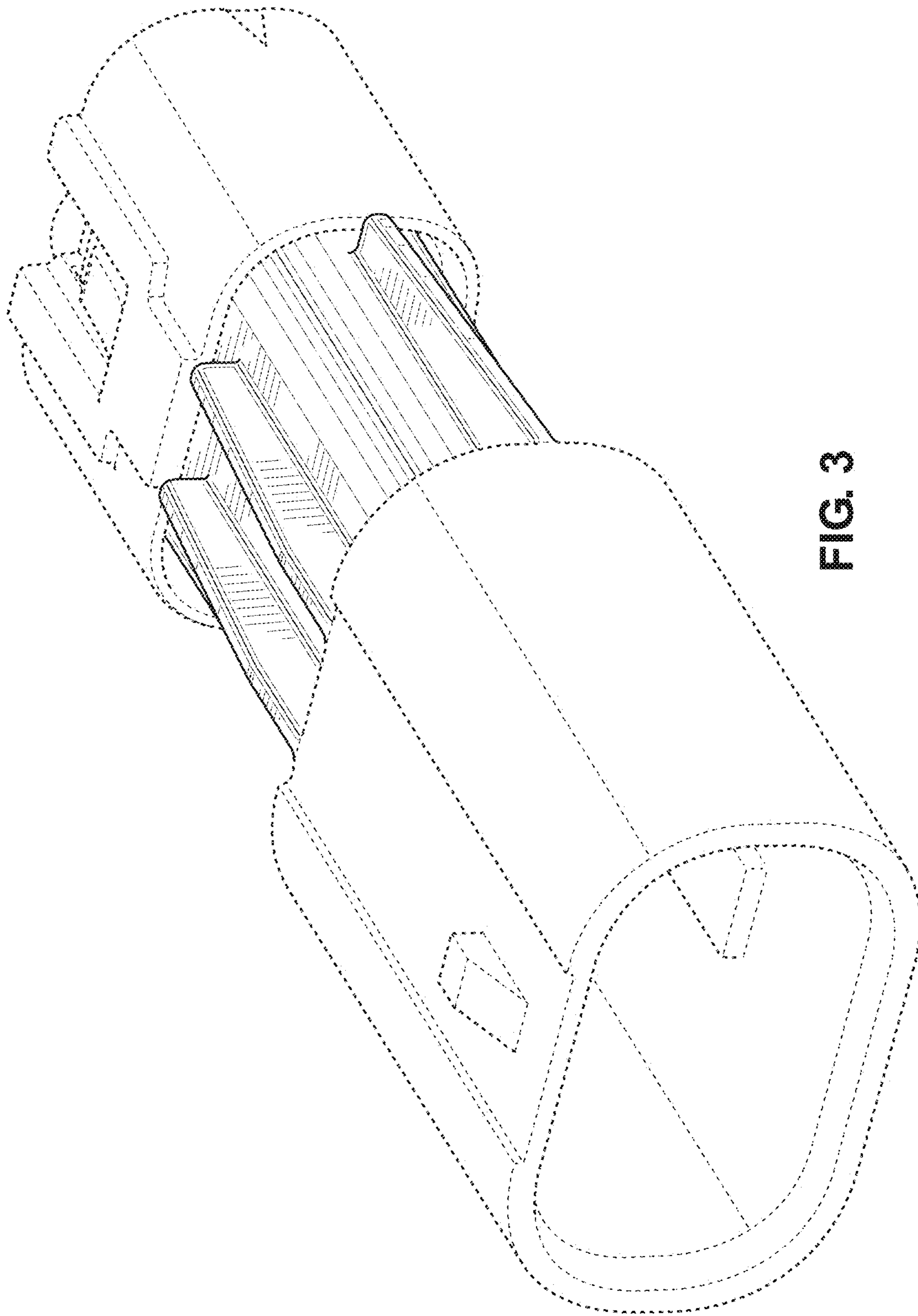


FIG. 3

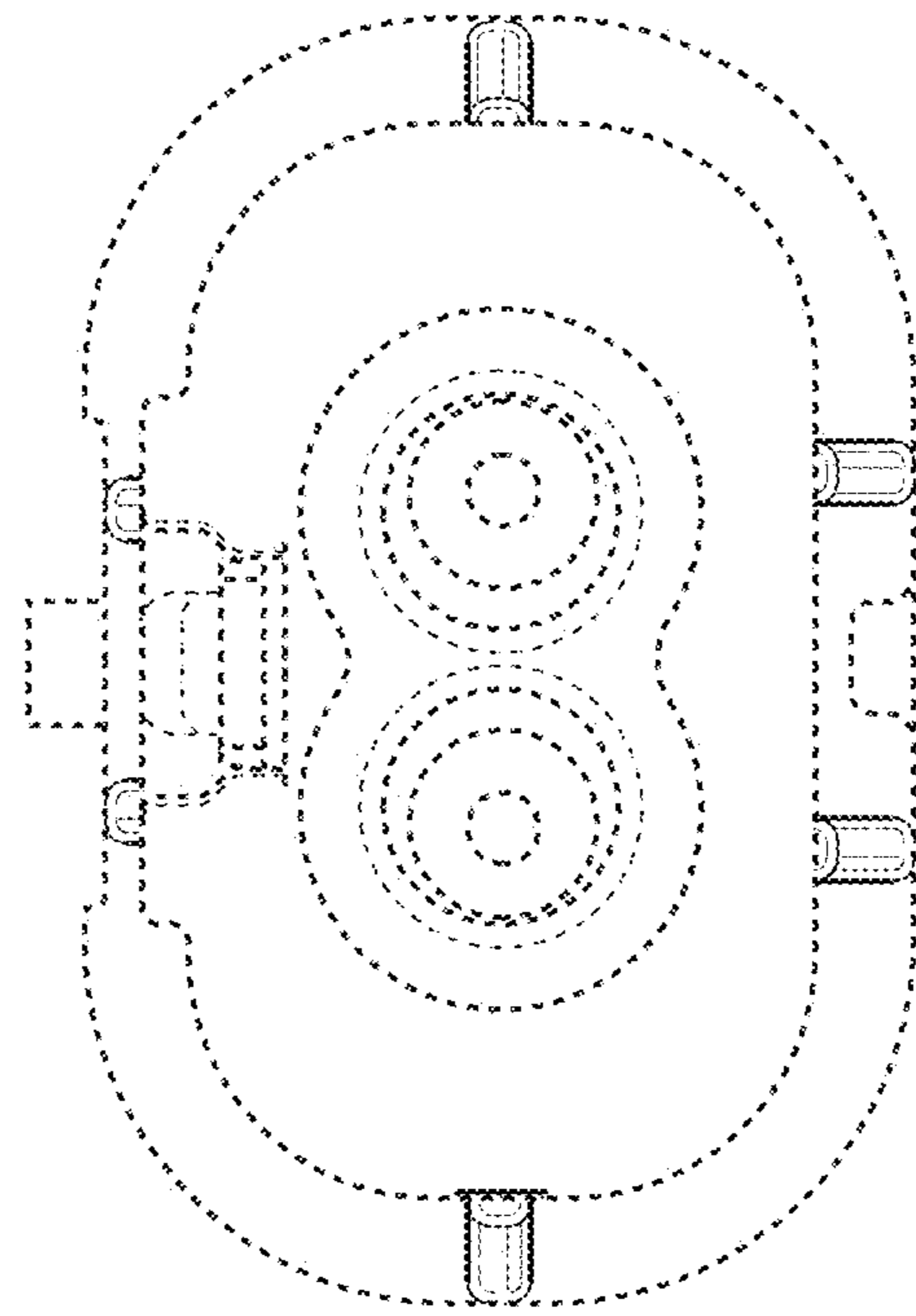


FIG. 4

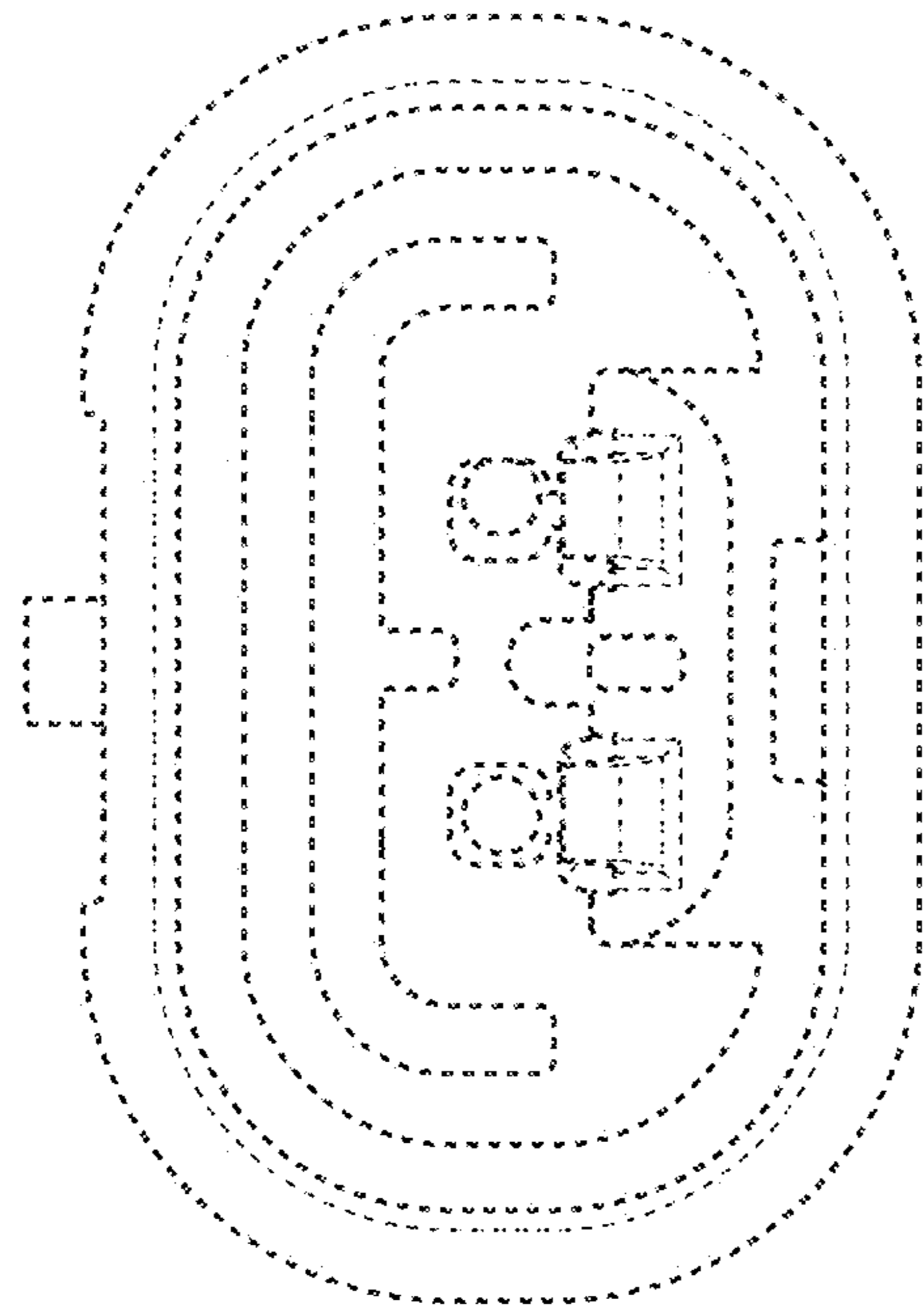


FIG. 5

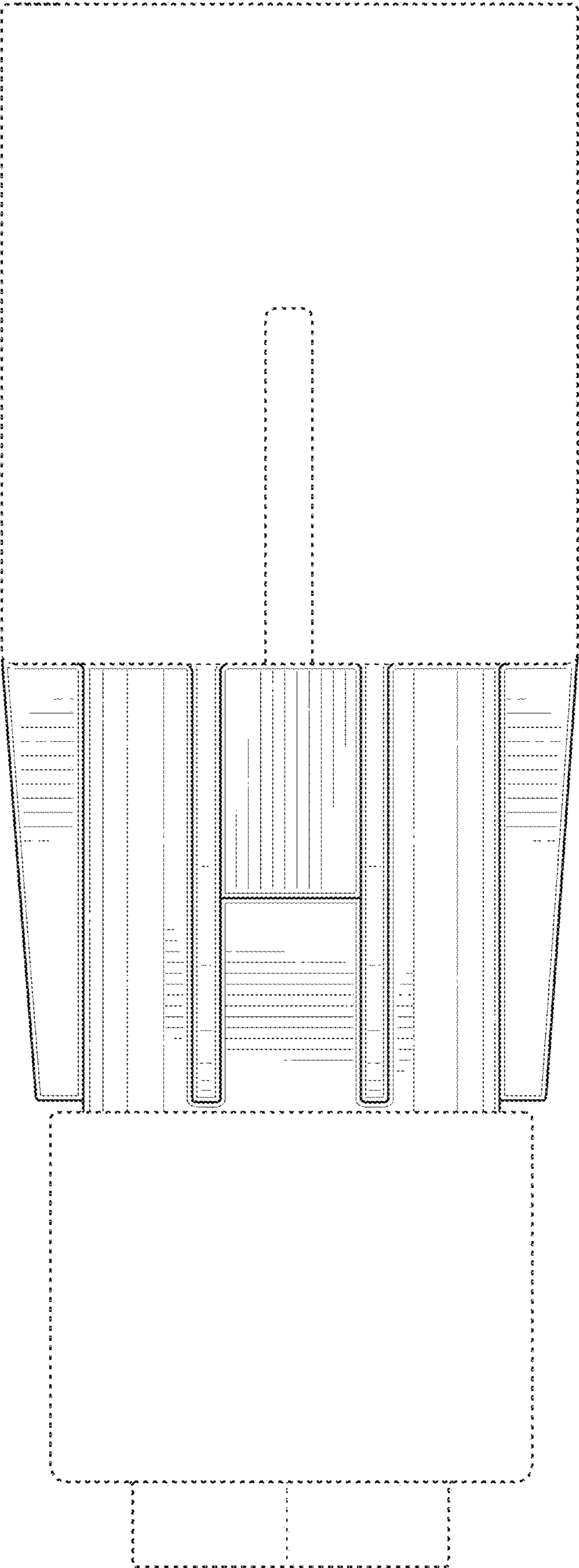


FIG. 6

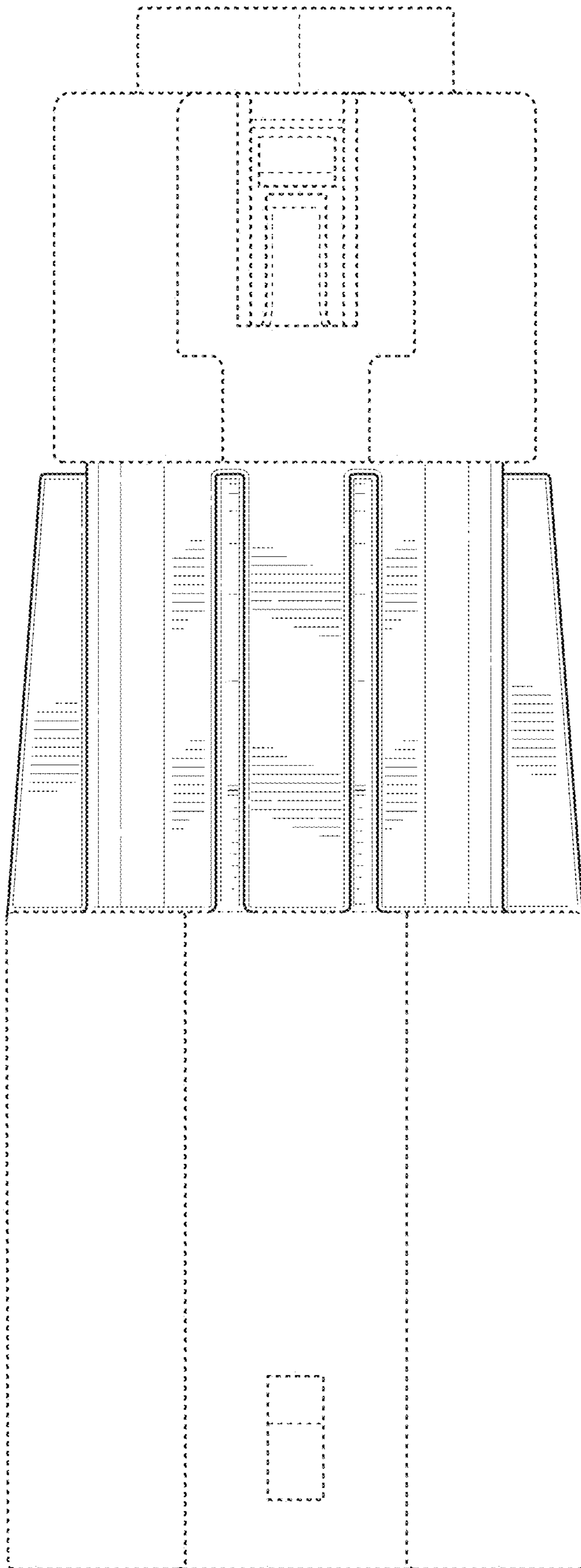


FIG. 7

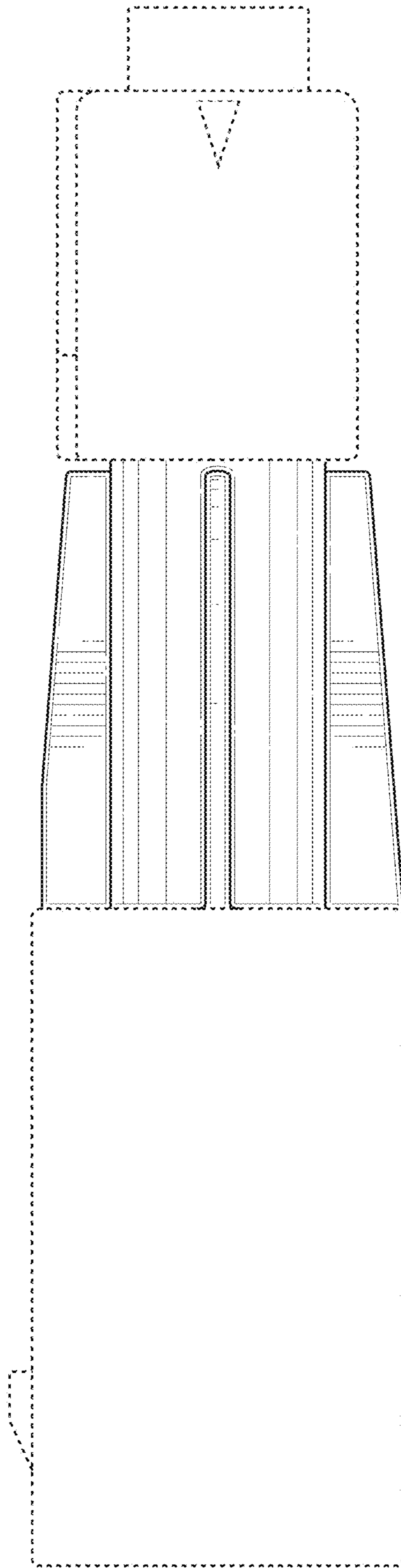


FIG. 8

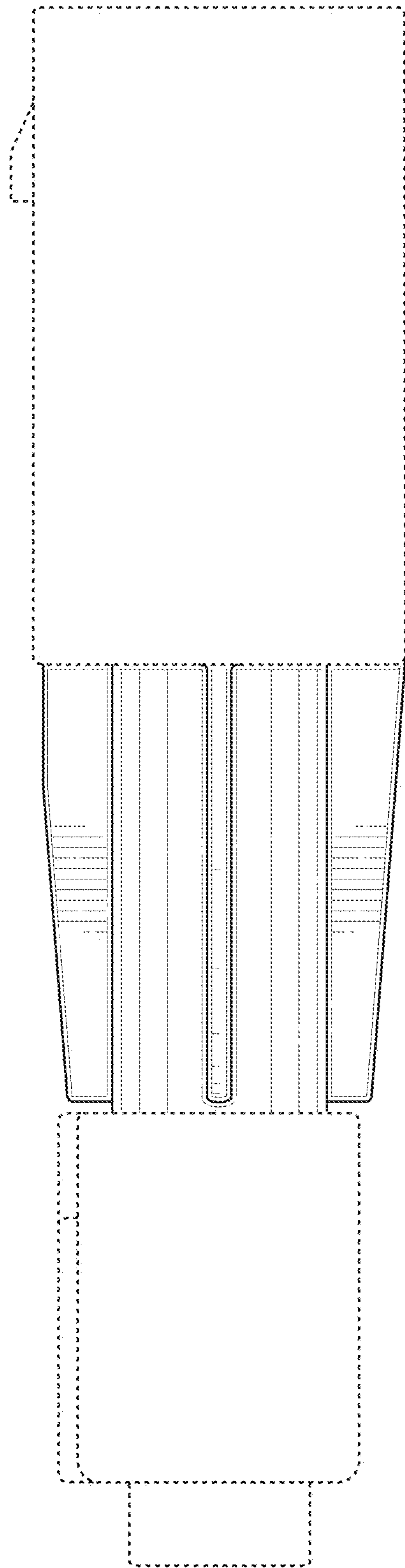


FIG. 9

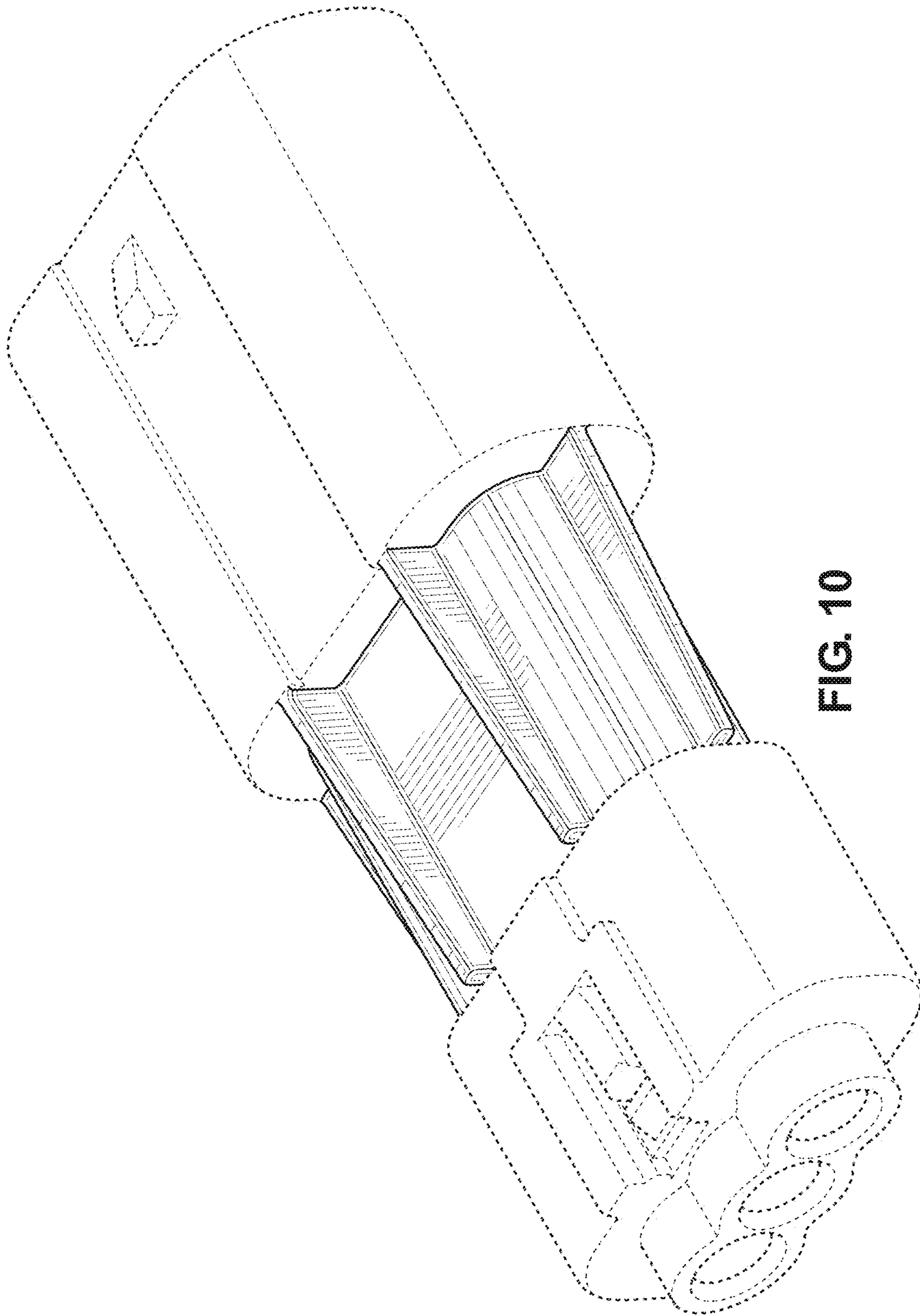


FIG. 10

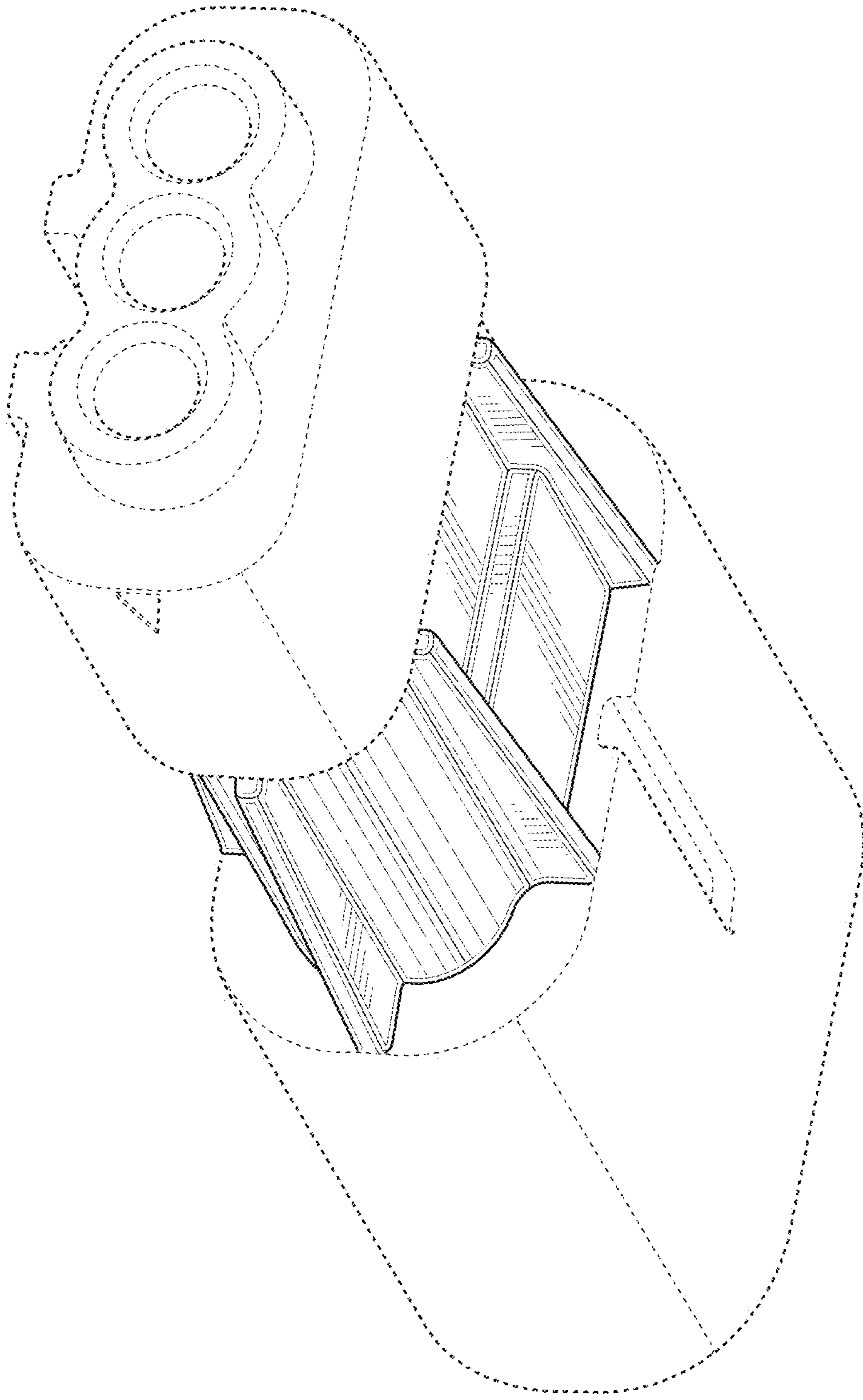


FIG. 11

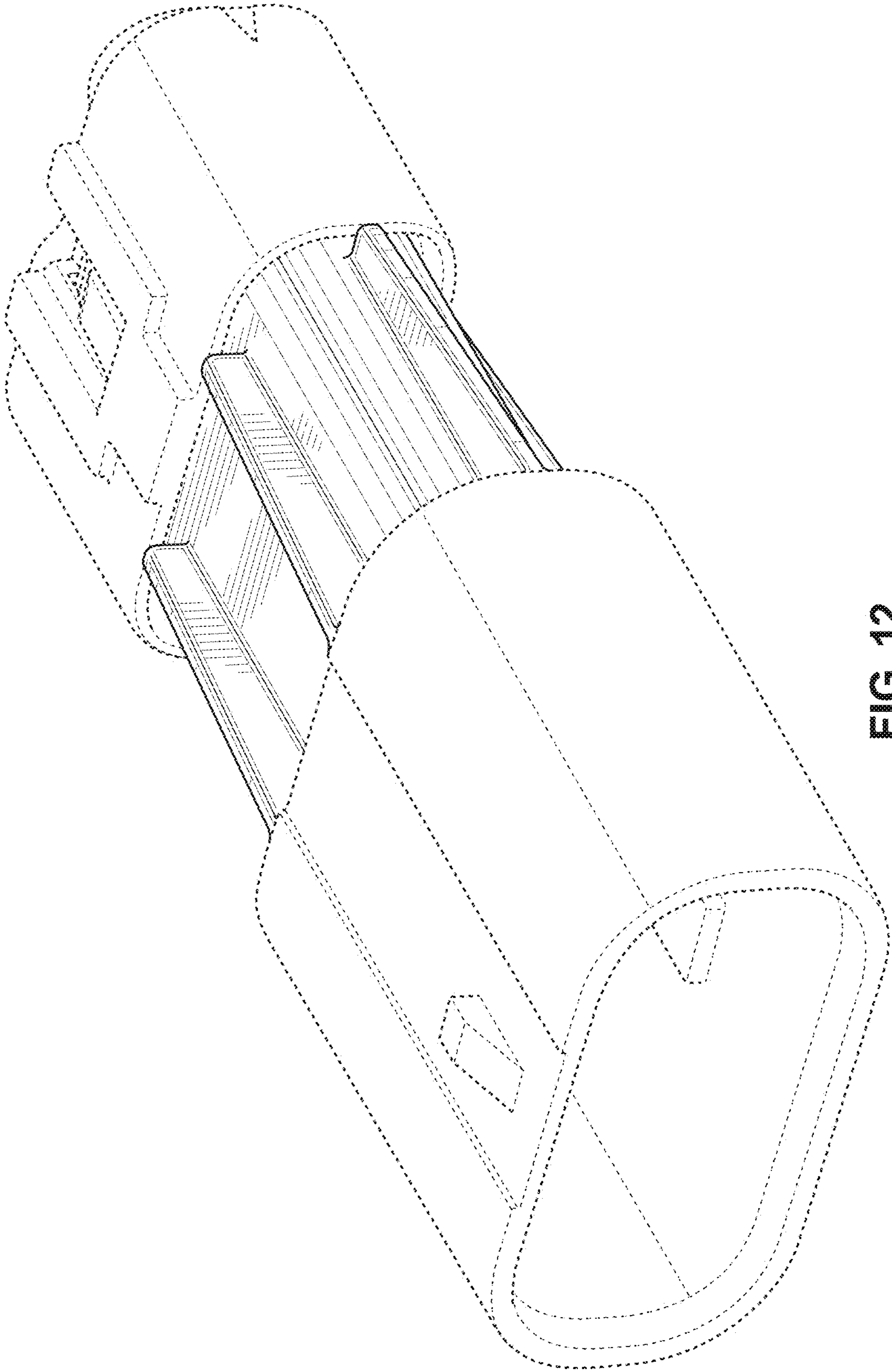


FIG. 12

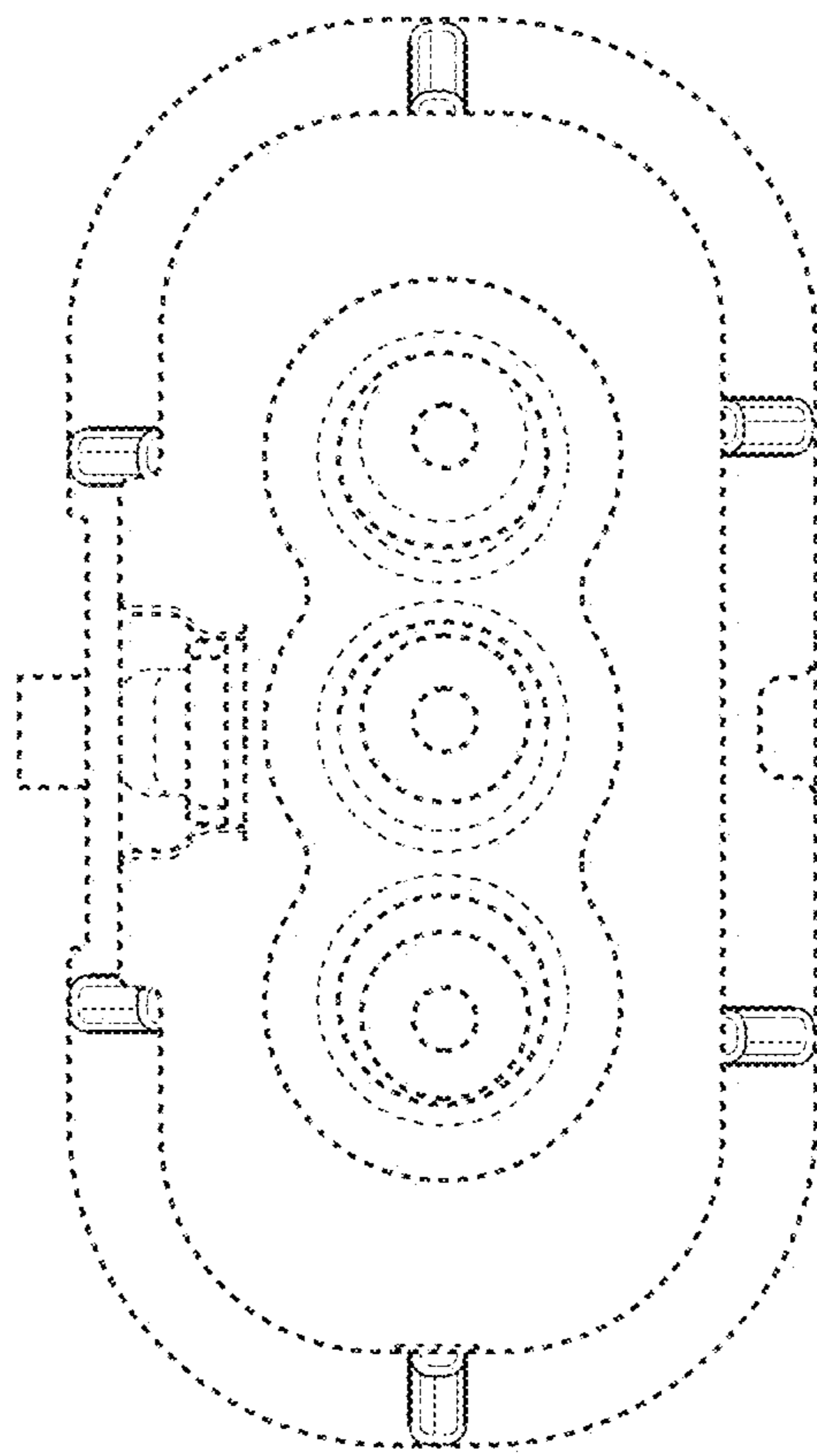


FIG. 13

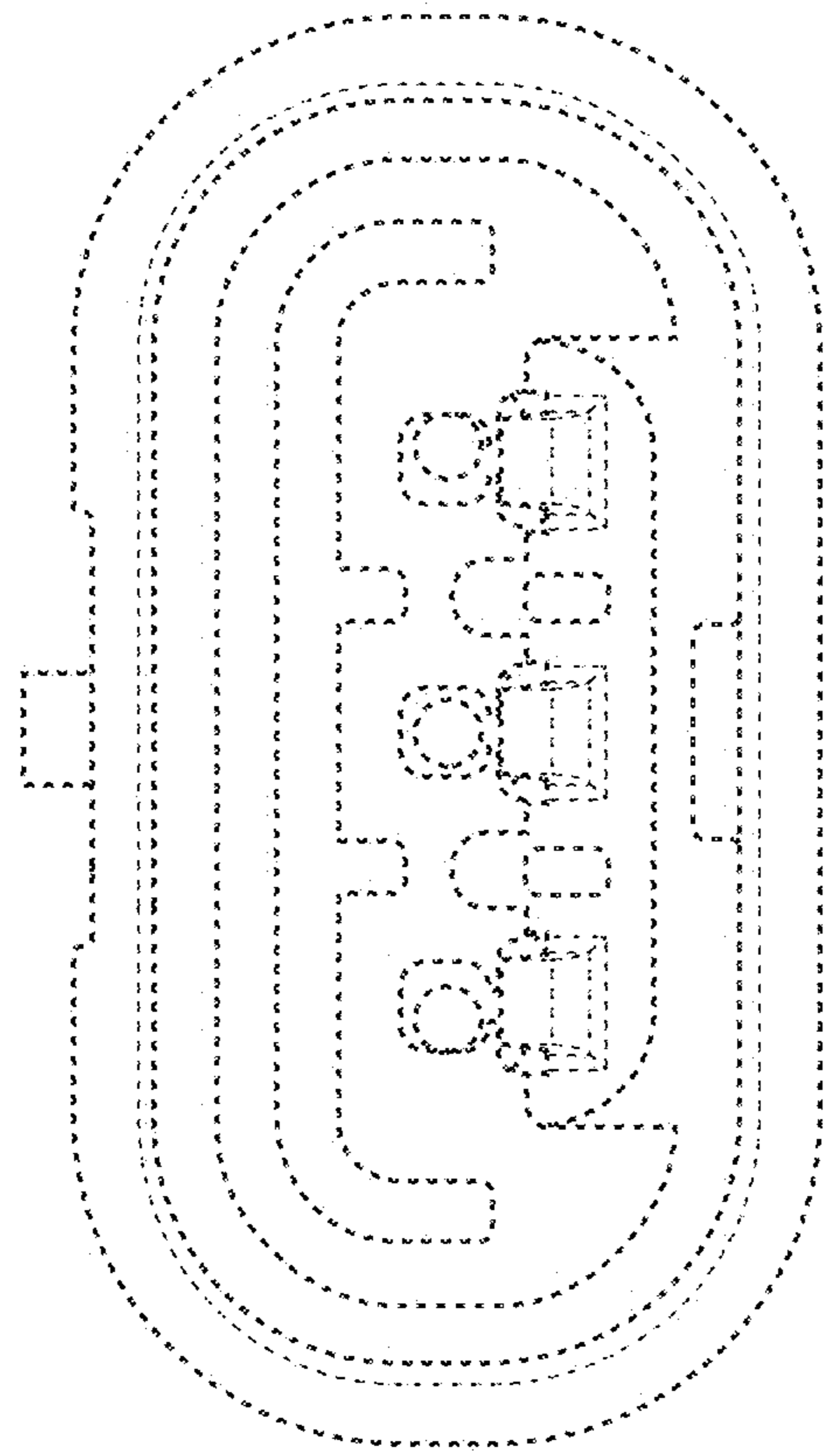


FIG. 14

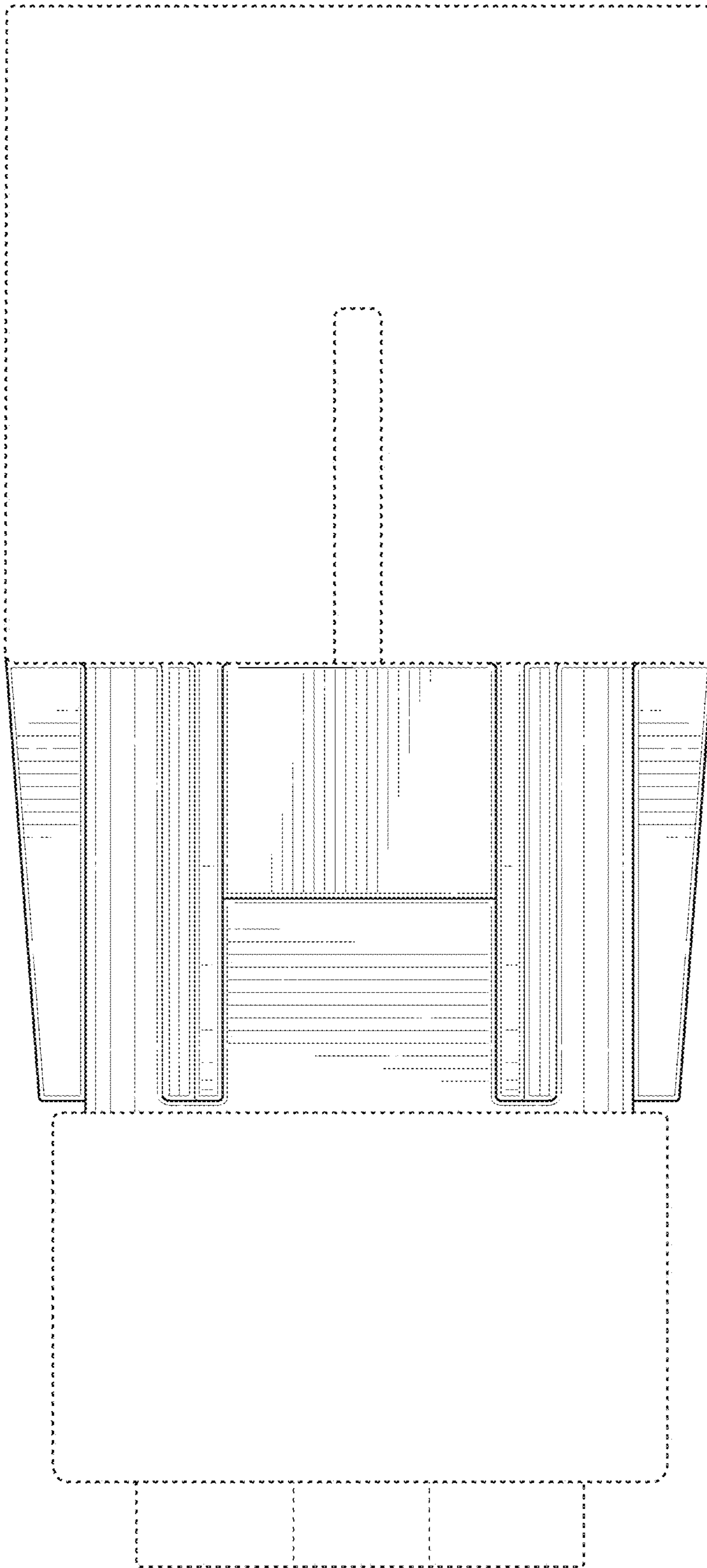


FIG. 15

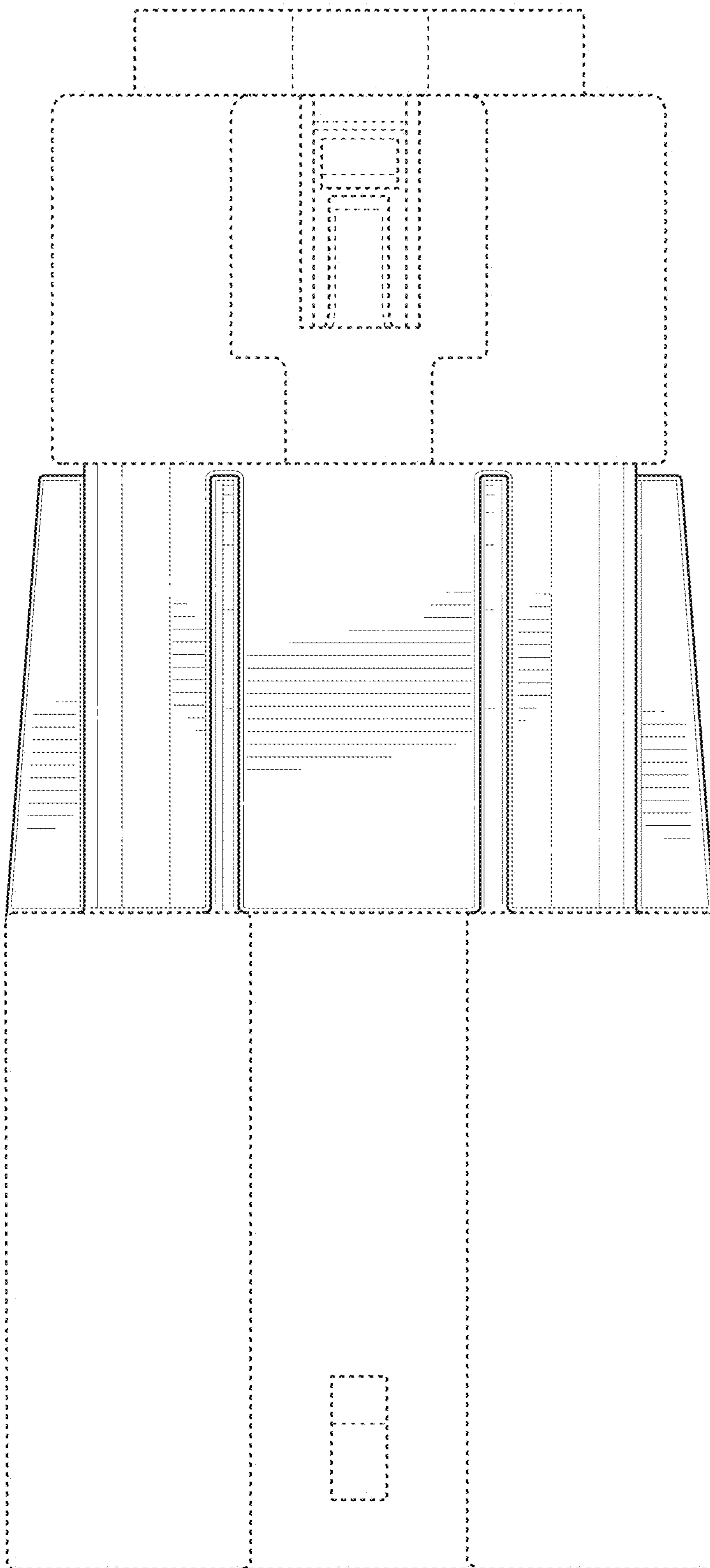


FIG. 16

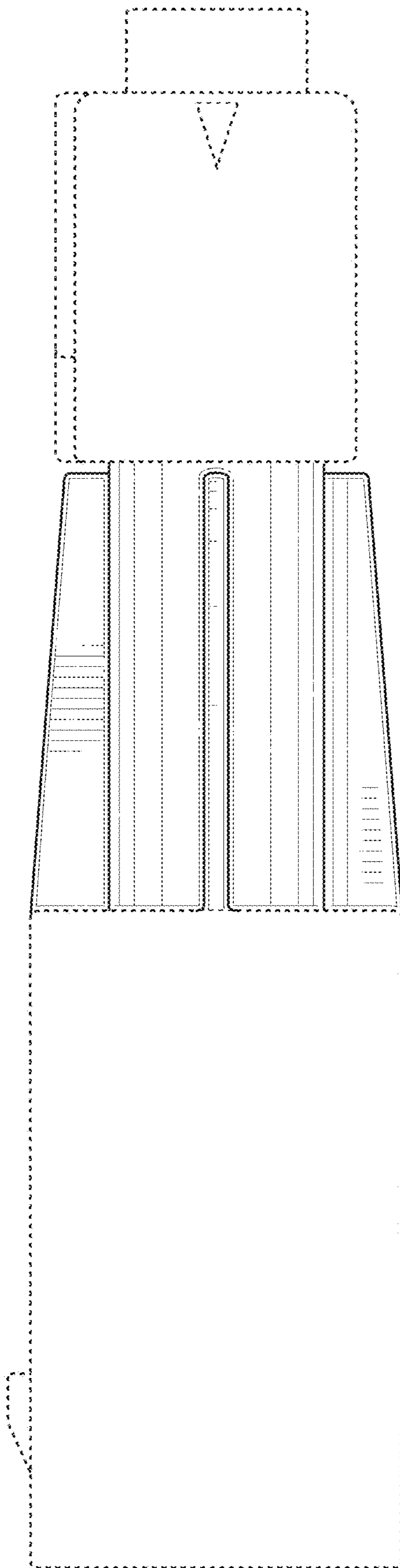


FIG. 17

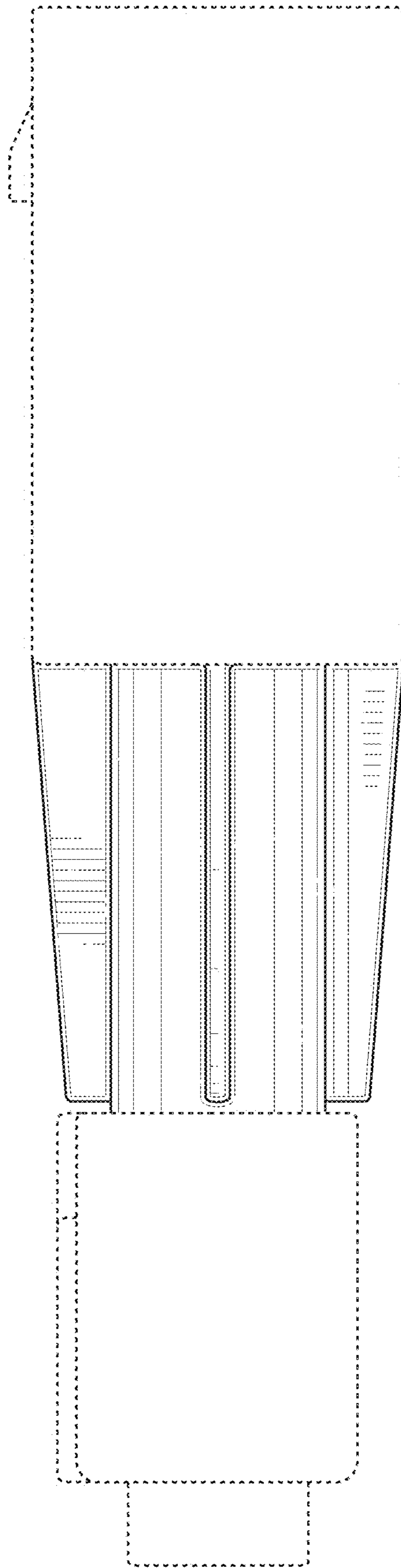


FIG. 18

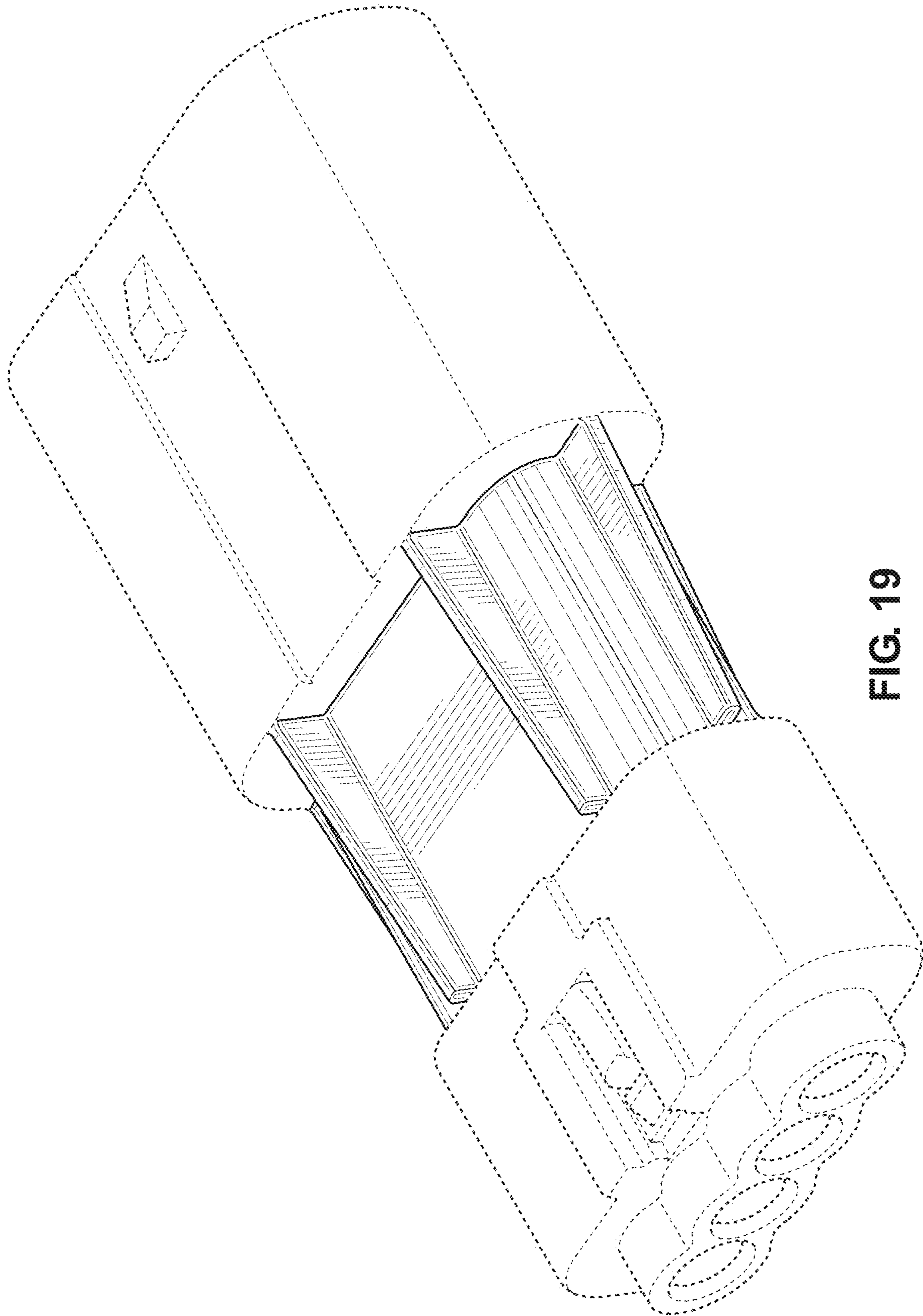


FIG. 19

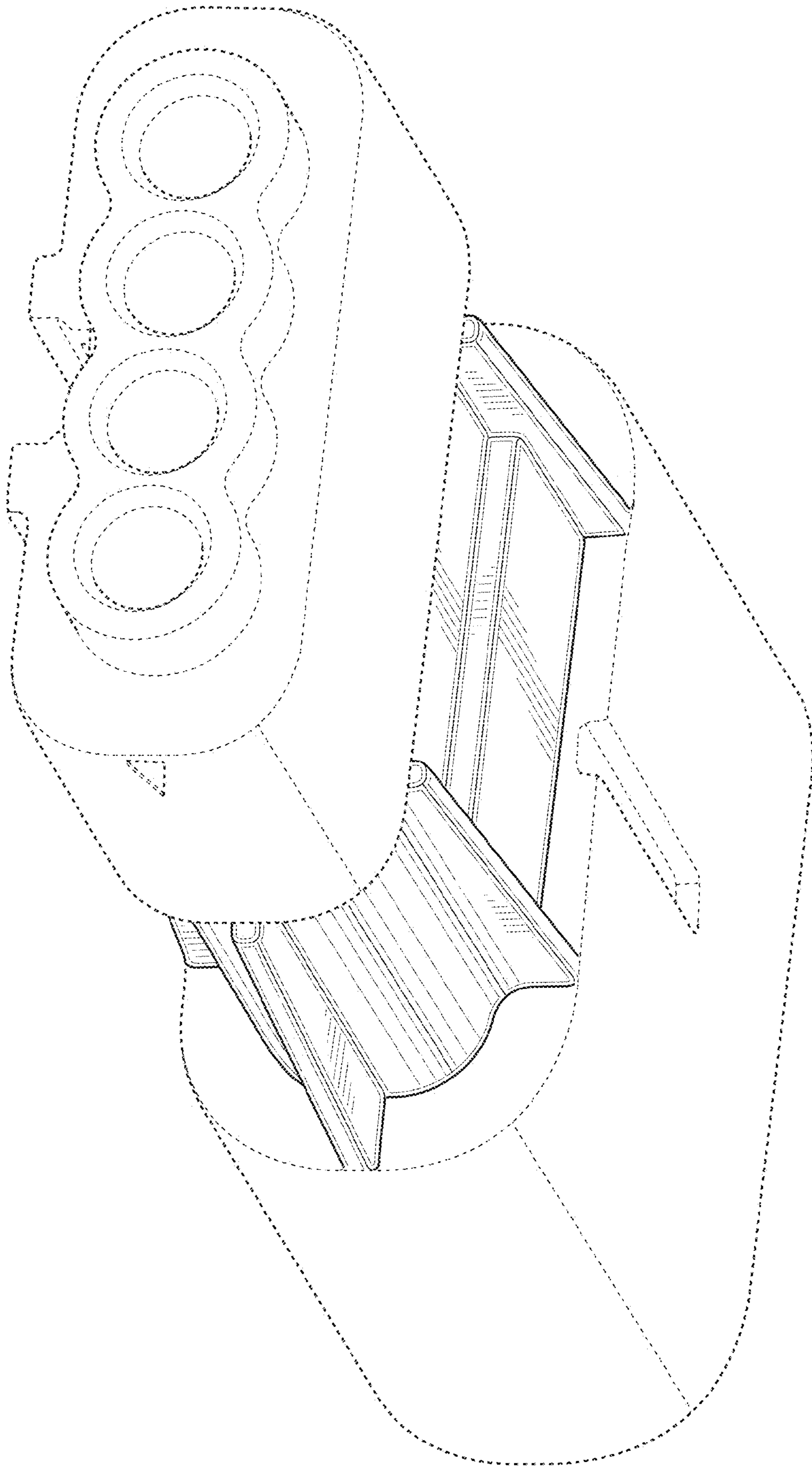


FIG. 20

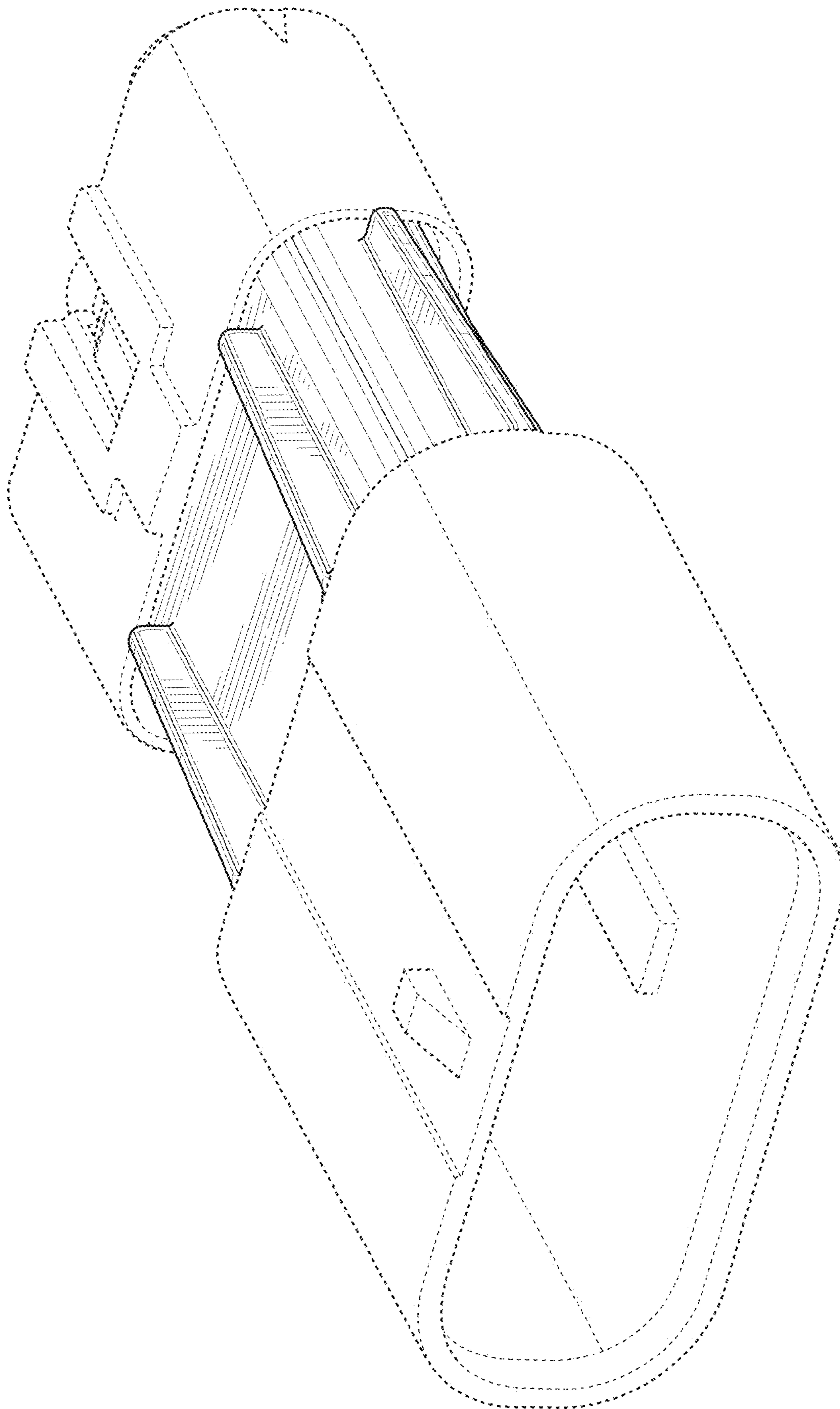


FIG. 21

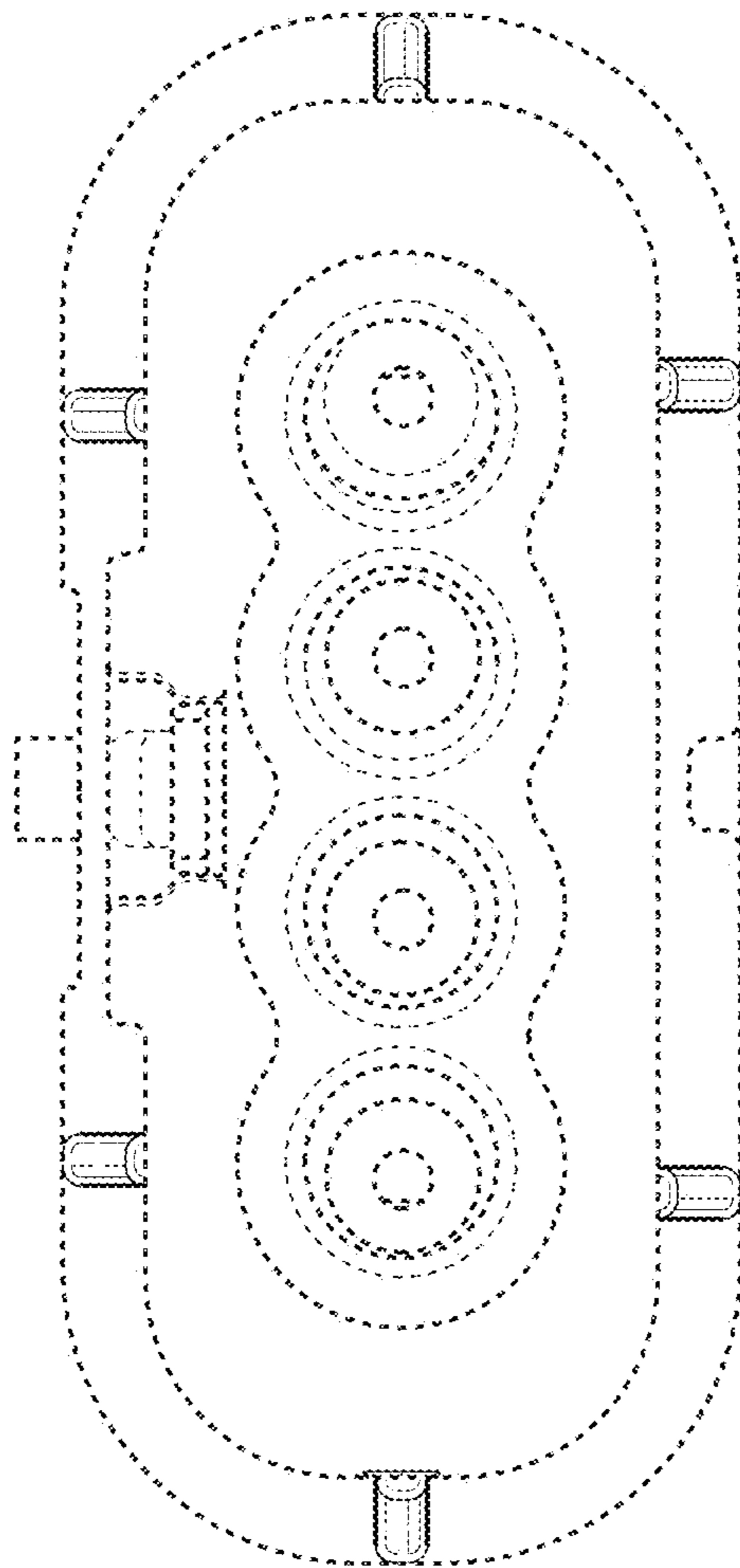


FIG. 22

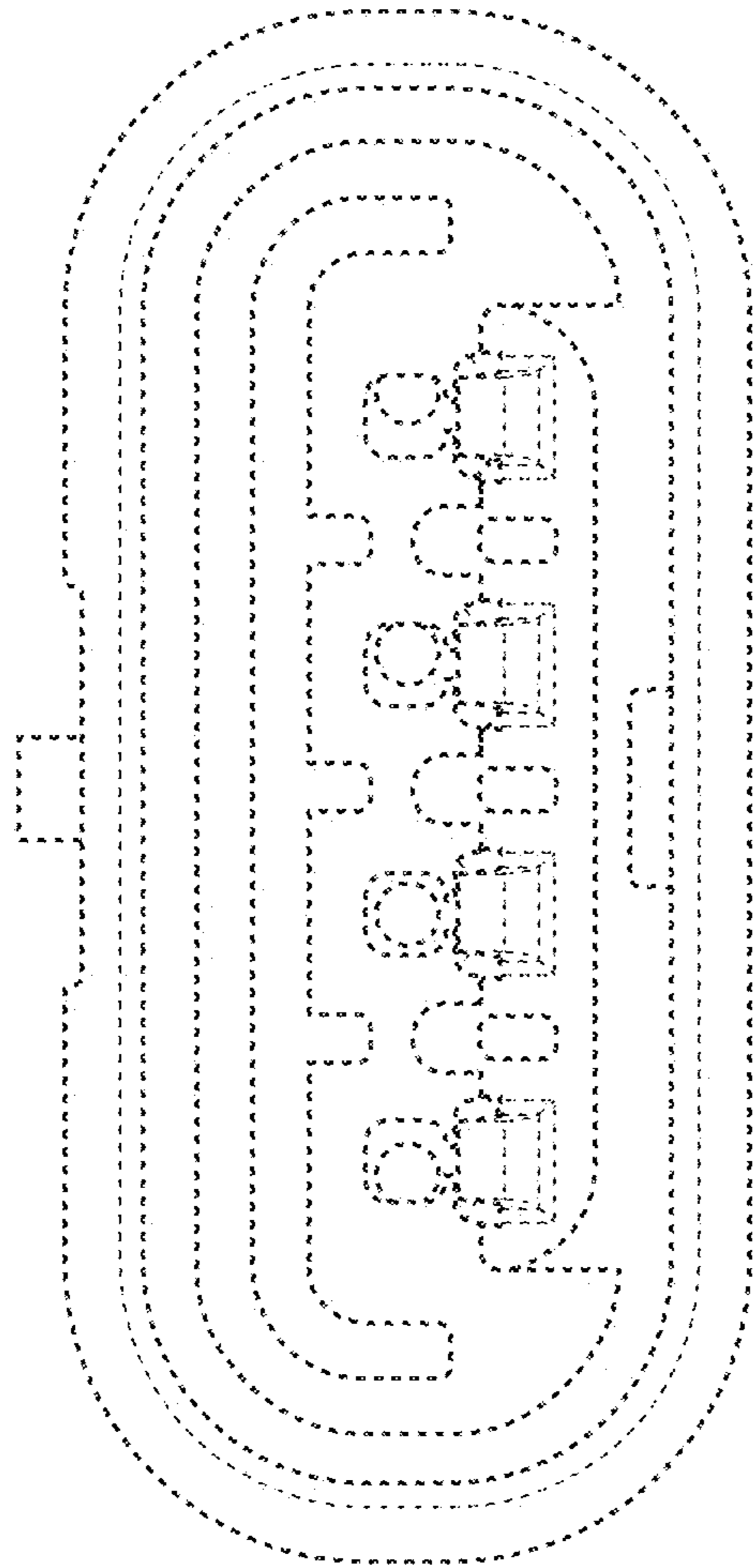


FIG. 23

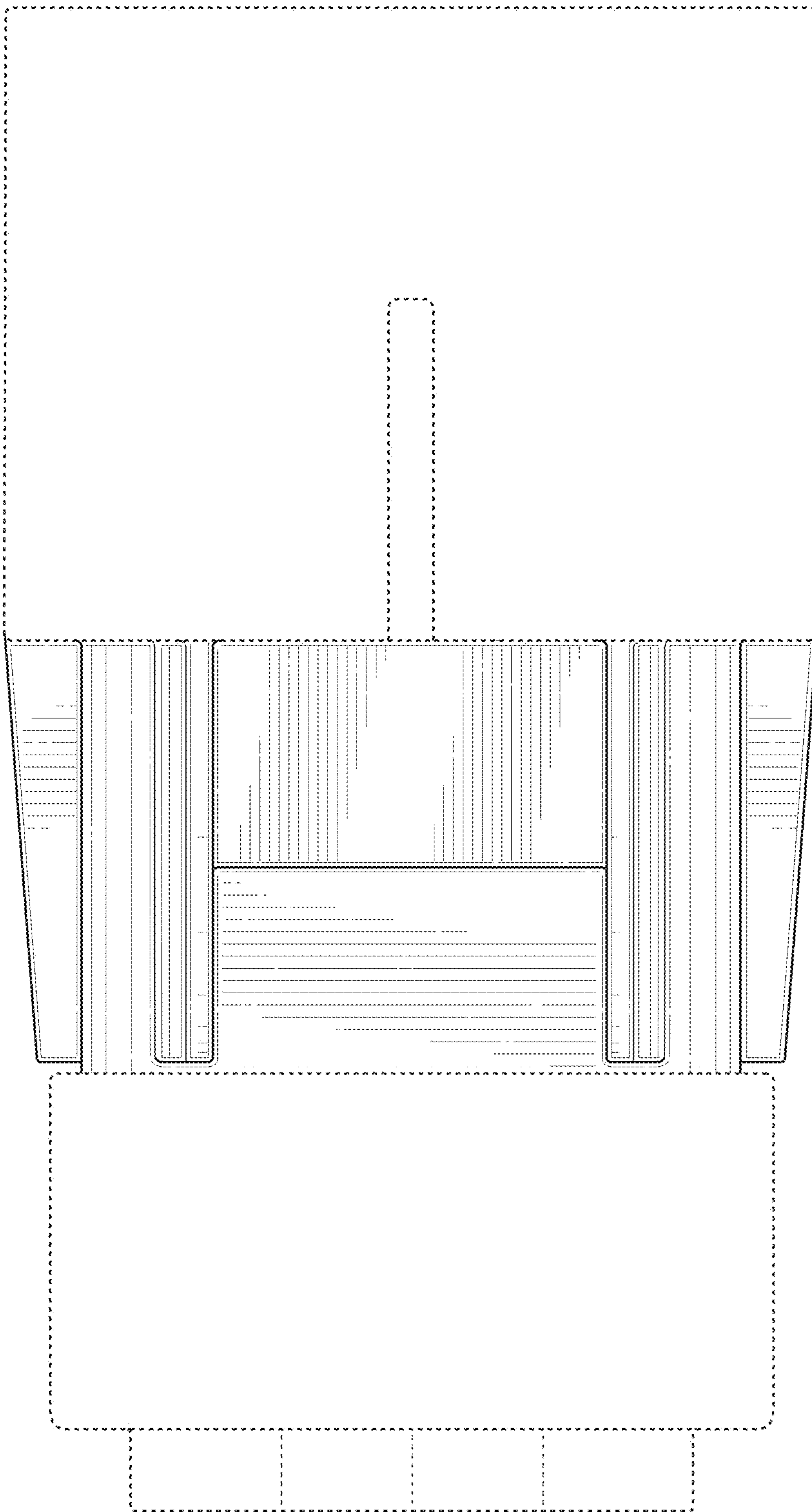


FIG. 24

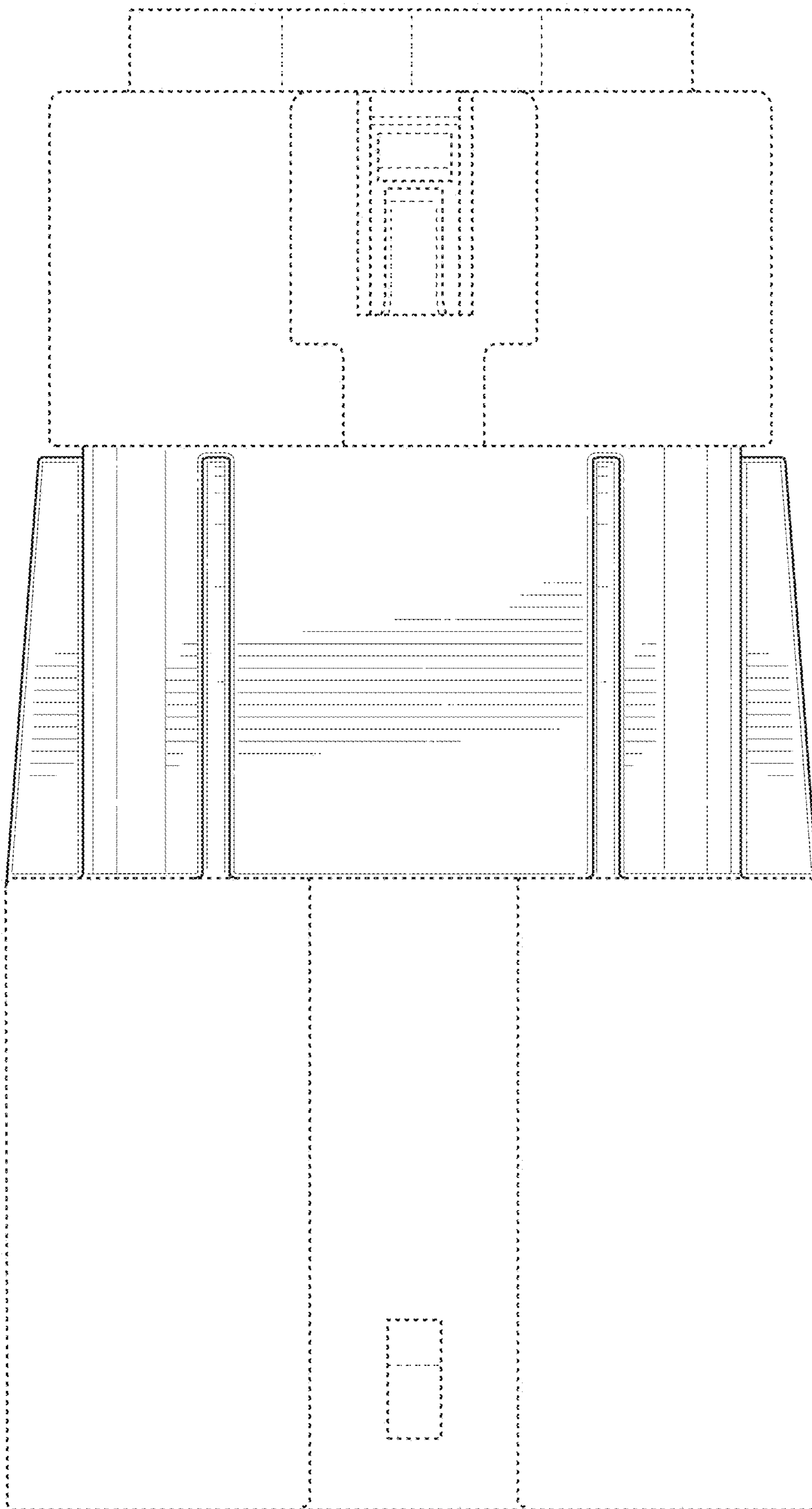


FIG. 25

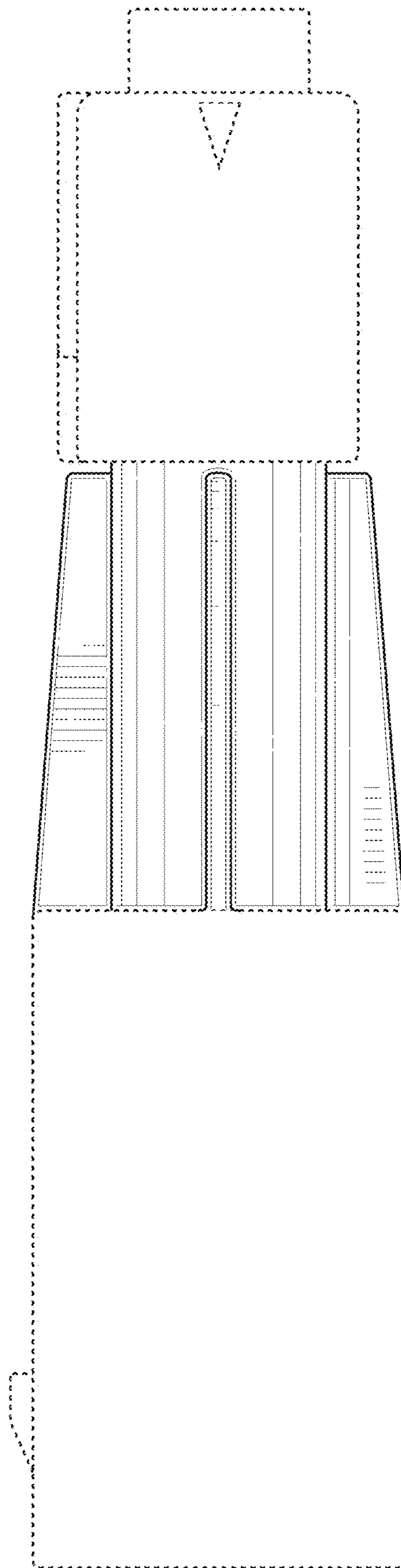


FIG. 26

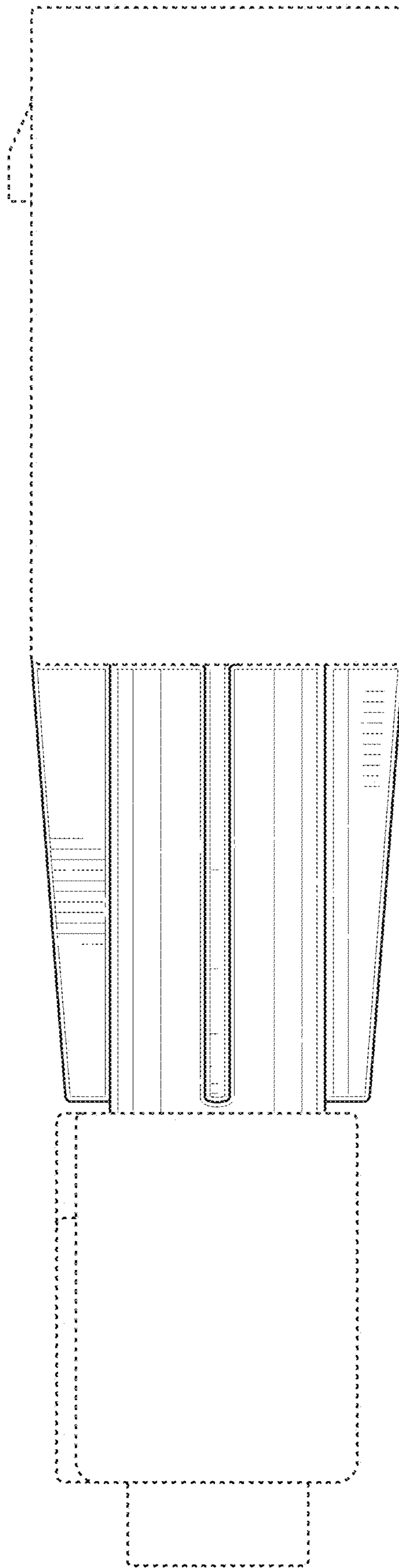


FIG. 27

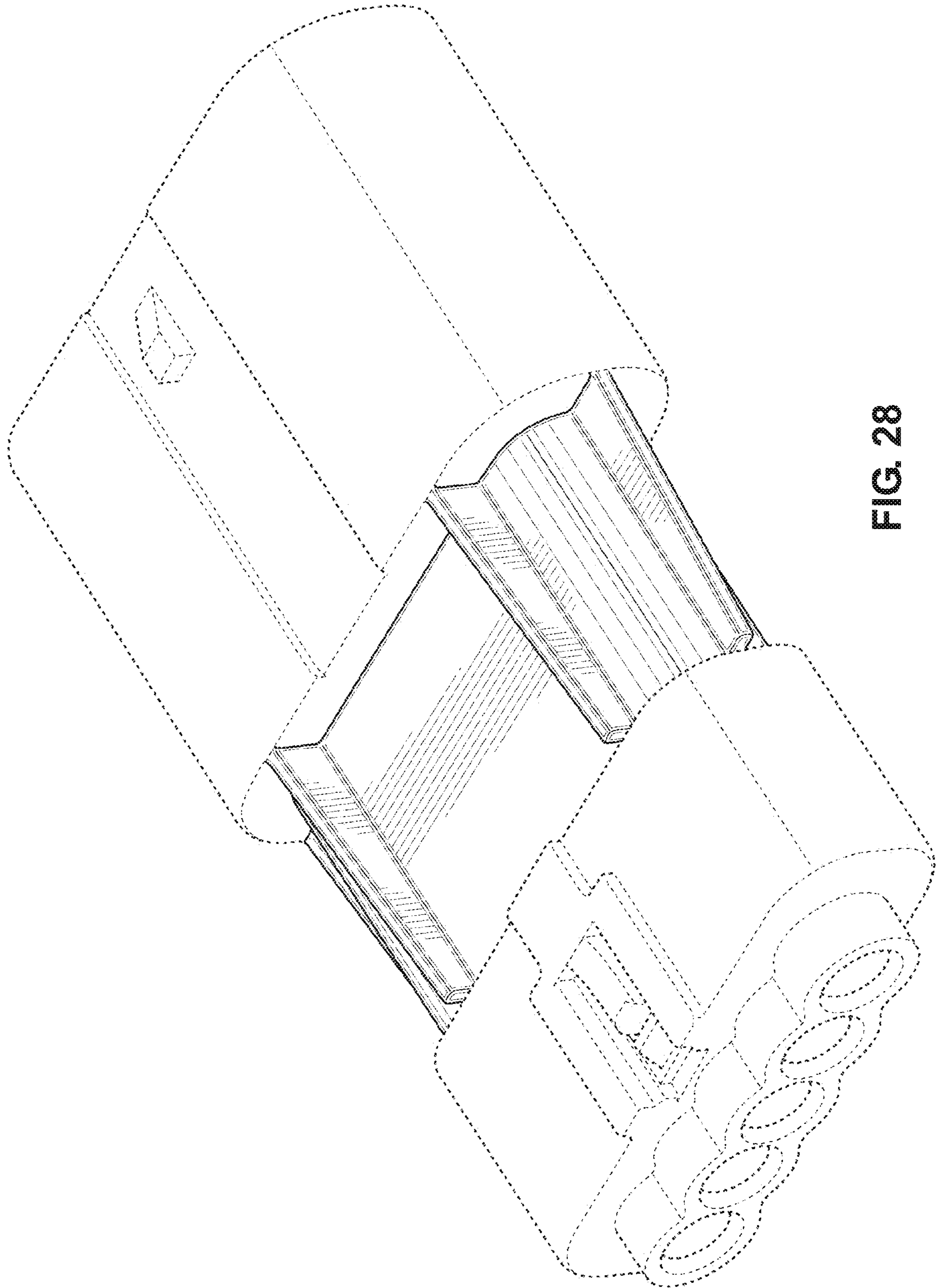


FIG. 28

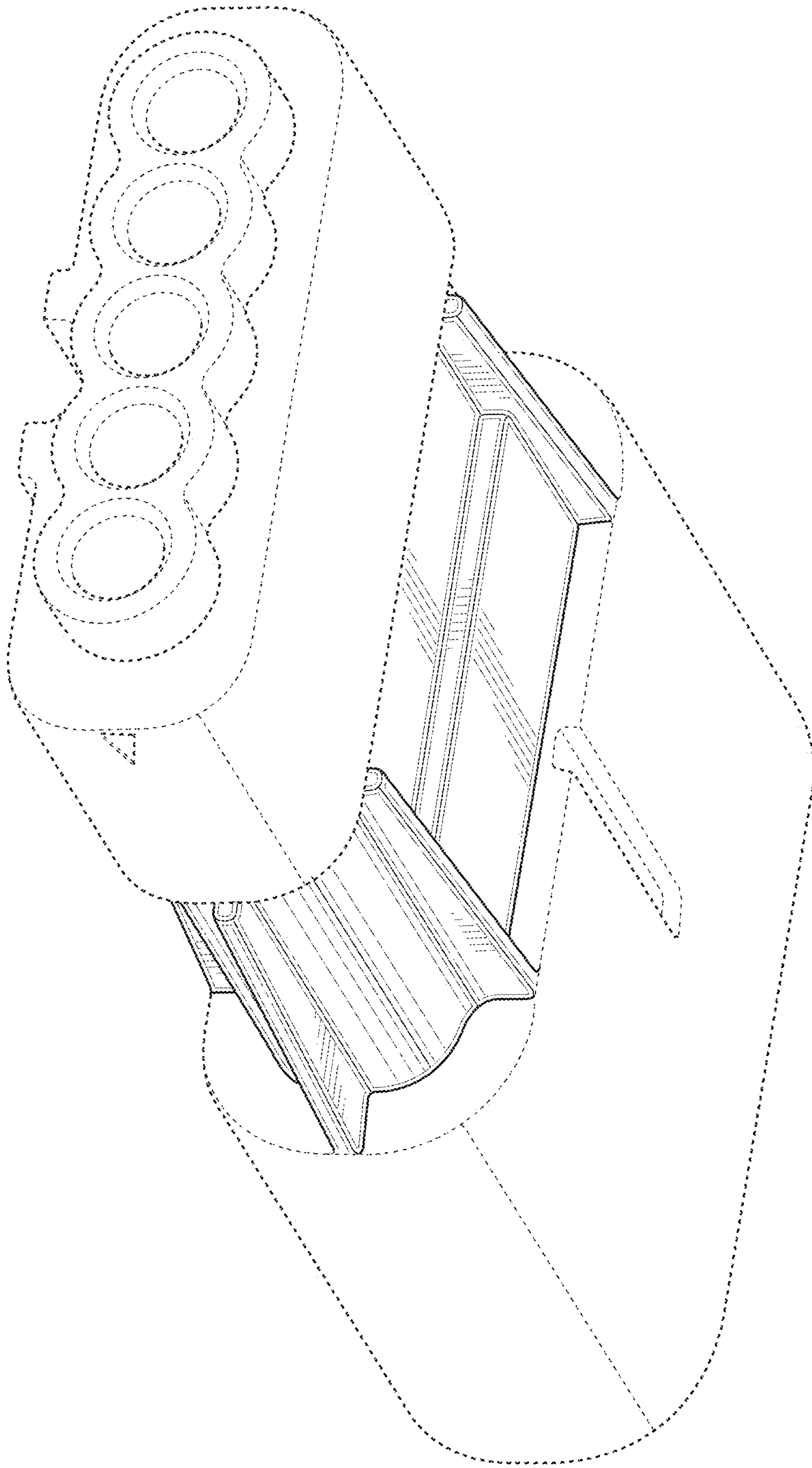


FIG. 29

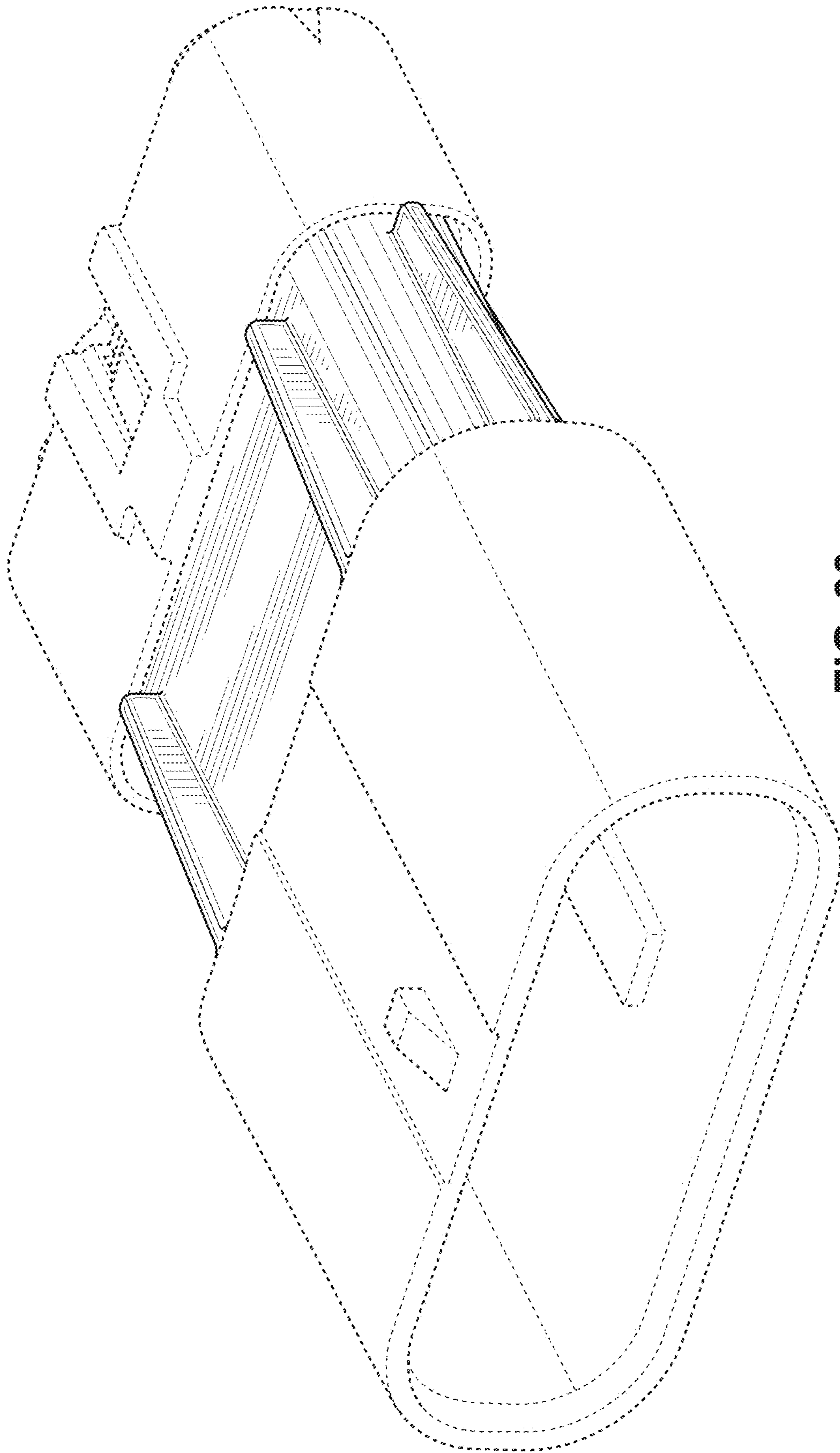


FIG. 30

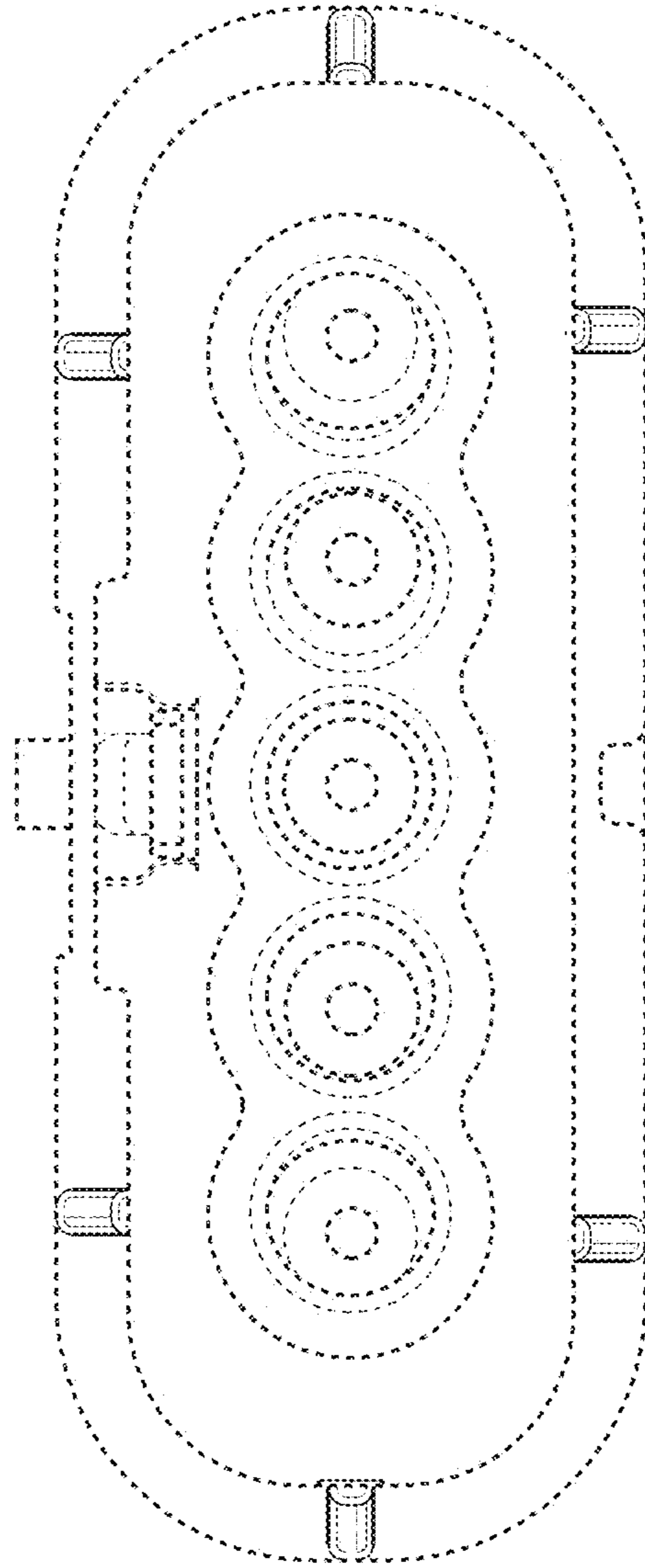


FIG. 31

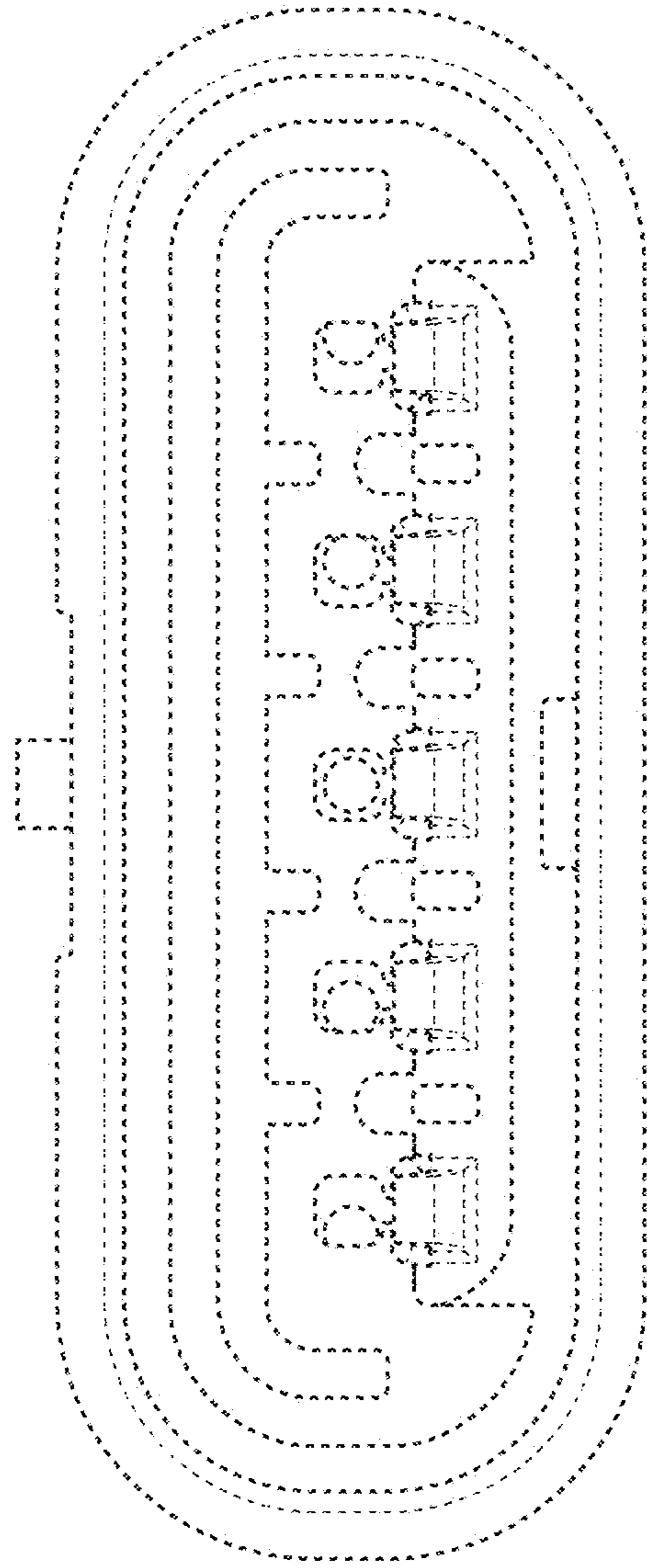


FIG. 32

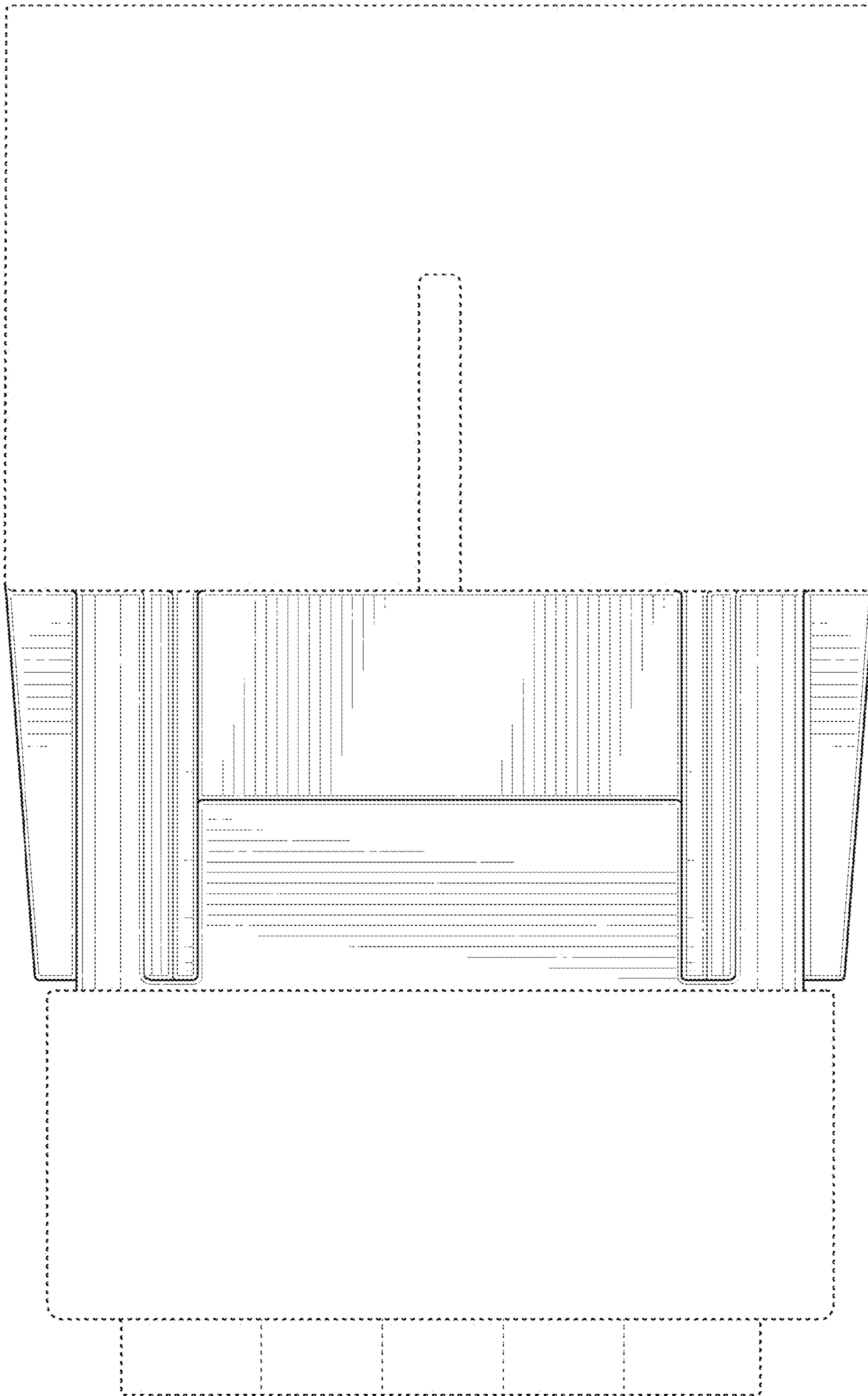


FIG. 33

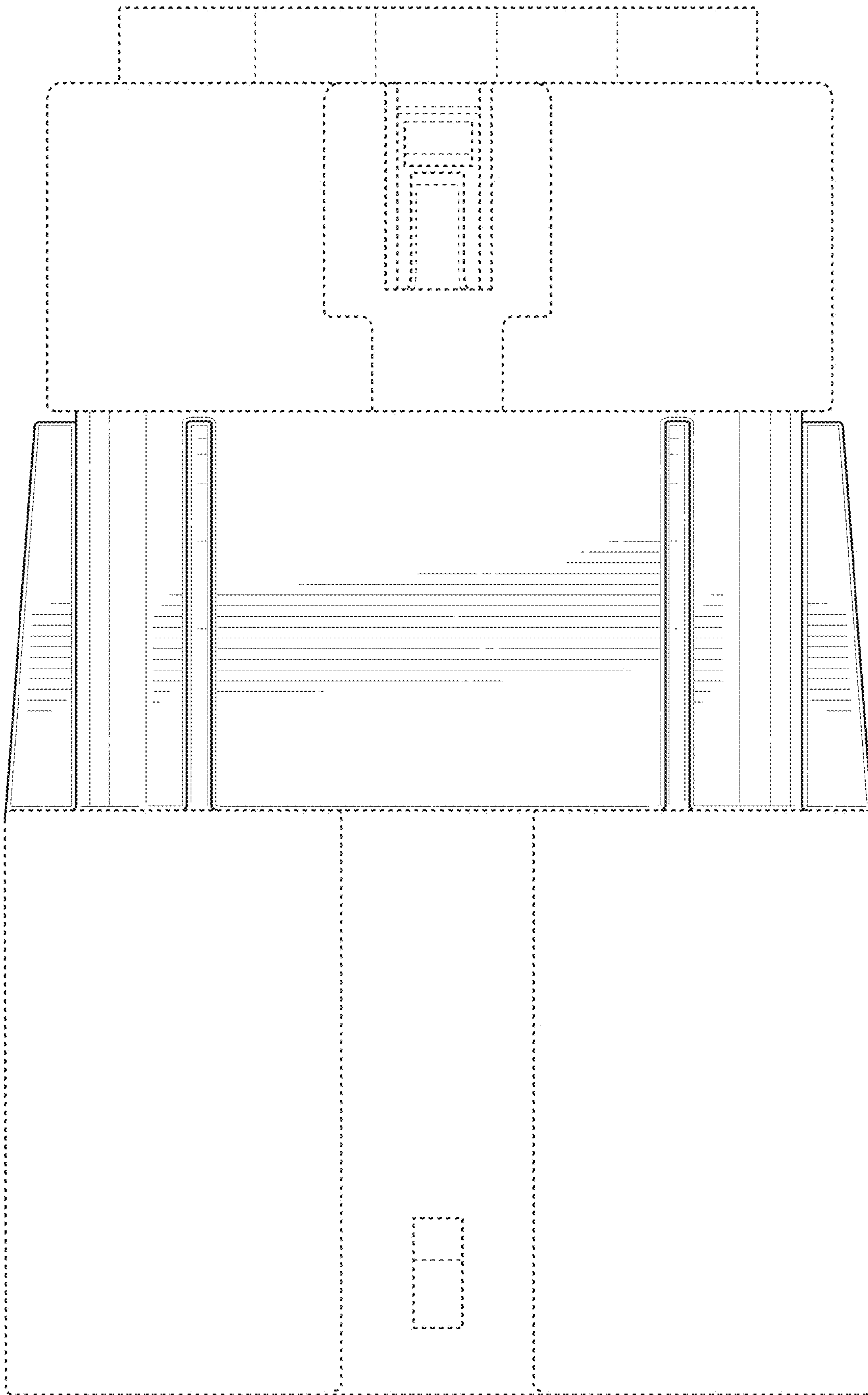


FIG. 34

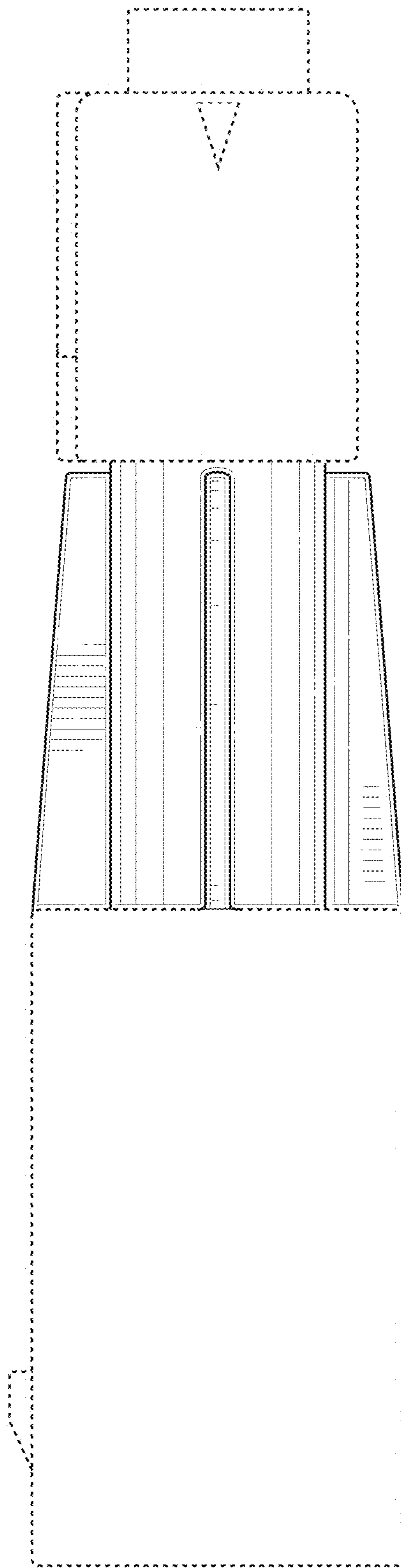


FIG. 35

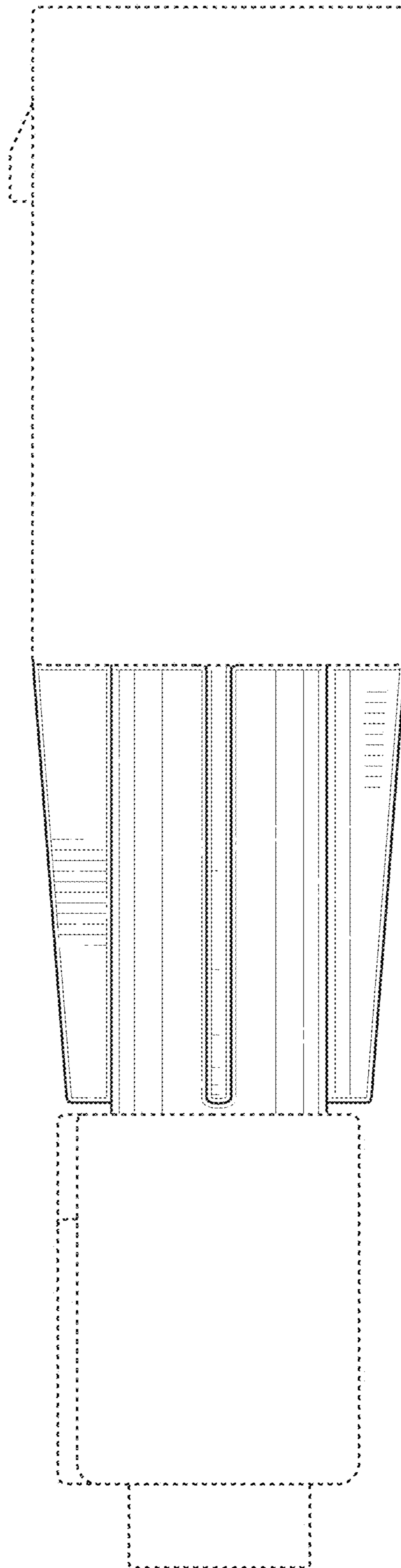


FIG. 36