



US00D893425S

(12) **United States Design Patent**  
**Nada et al.**

(10) **Patent No.:** **US D893,425 S**  
(45) **Date of Patent:** **\*\* Aug. 18, 2020**

(54) **CONTROLLER FOR SERVOMOTOR**

FOREIGN PATENT DOCUMENTS

(71) Applicant: **OMRON Corporation**, Kyoto-shi,  
Kyoto (JP)

CN 304065087 \* 3/2017  
EM 003367713-0002 \* 9/2016

(Continued)

(72) Inventors: **Heita Nada**, Ritto (JP); **Shuhei Yamada**, Kyoto (JP); **Satoshi Sano**, Kyoto (JP); **Tomohiro Fujita**, Kyoto (JP)

OTHER PUBLICATIONS

Valin Corporation. Link: <https://www.valinonline.com/products/r7d-bp02hh>. Dec. 2, 2019. R7D-BP02HH Omron AC Servo Drives. (Year: 2019).\*

(Continued)

(73) Assignee: **OMRON Corporation**, Kyoto (JP)

(\*\*) Term: **15 Years**

*Primary Examiner* — Lauren D McVey

(74) *Attorney, Agent, or Firm* — Capitol City TechLaw

(21) Appl. No.: **29/686,729**

(57) **CLAIM**

The ornamental design for a controller for servomotor, as shown and described.

(22) Filed: **Apr. 7, 2019**

(30) **Foreign Application Priority Data**

**DESCRIPTION**

Oct. 19, 2018 (JP) ..... 2018-023012

(51) **LOC (12) Cl.** ..... **13-03**

(52) **U.S. Cl.**  
USPC ..... **D13/123**

(58) **Field of Classification Search**  
USPC ..... D13/123-132, 107, 110, 117, 160, 171,  
D13/154, 184, 199, 139.6, 138.1, 138.2  
CPC ..... H01G 4/224; H01G 4/232; H01G 4/28;  
H01G 4/385; H01G 4/40  
See application file for complete search history.

FIG. 1 is a front, top, and right side perspective view of a controller for servomotor showing our new design;  
FIG. 2 is a front, bottom, and right side perspective view thereof;  
FIG. 3 is a front view thereof;  
FIG. 4 is a rear view thereof;  
FIG. 5 is a left side view thereof;  
FIG. 6 is a right side view thereof;  
FIG. 7 is a top view thereof;  
FIG. 8 is a bottom view thereof;  
FIG. 9 is an enlarged view of the circumscribed area IX in FIG. 1; and,  
FIG. 10 is an enlarged view of the circumscribed area X in FIG. 2.

(56) **References Cited**

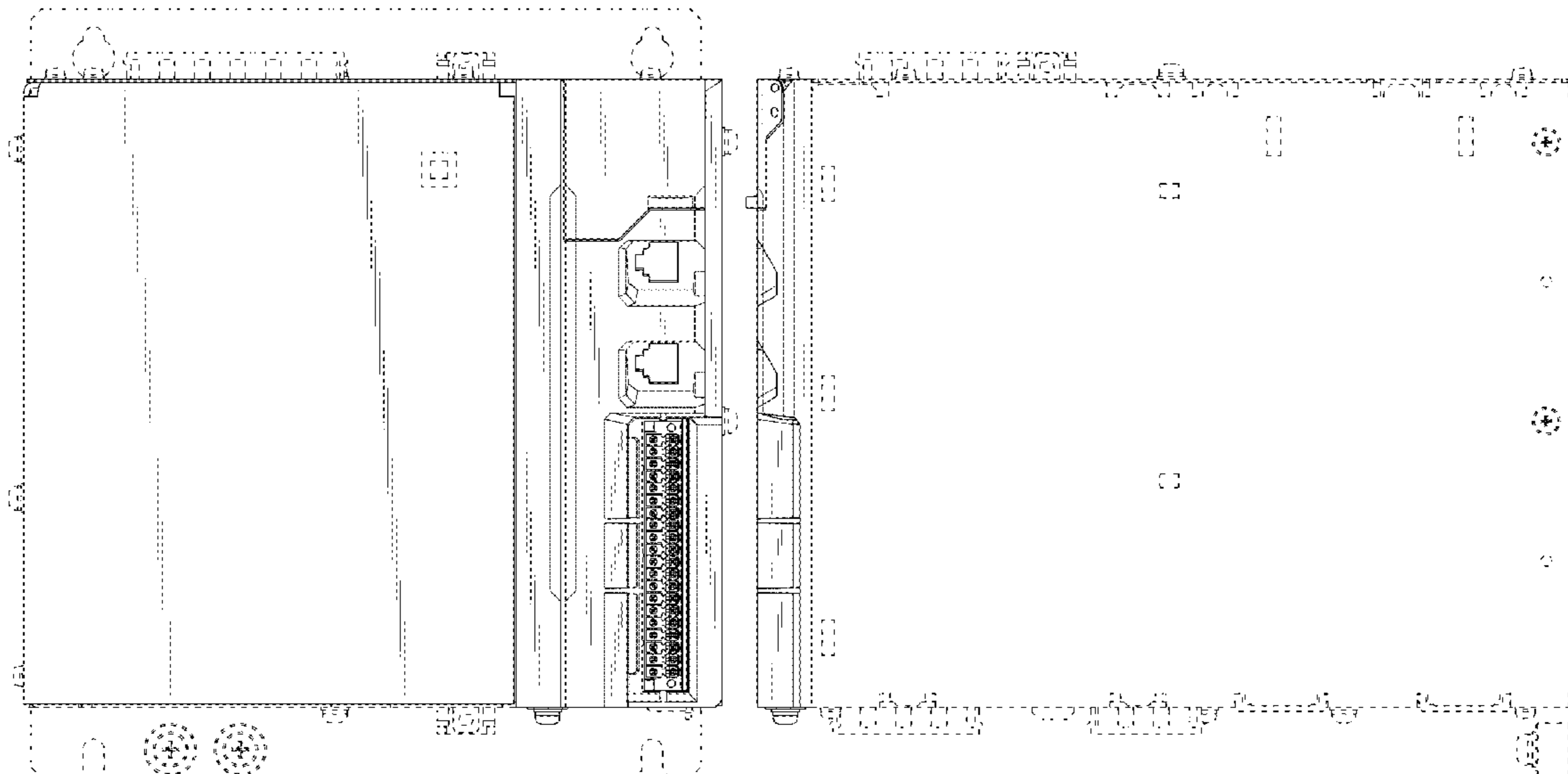
U.S. PATENT DOCUMENTS

D510,319 S \* 10/2005 Tuomola ..... D13/110  
D605,120 S \* 12/2009 Pape ..... D13/123  
D737,242 S \* 8/2015 Nakahira ..... D13/110  
D776,077 S \* 1/2017 Kondo ..... D13/159  
D794,566 S \* 8/2017 Nada ..... D13/123

The evenly spaced broken lines are directed to environment and form no part of the claimed design. The dot-dashed broken lines depict the bounds of the claimed design and form no part of the claimed design. The dot-dot-dashed broken lines in FIGS. 1, 2, 9, and 10 circumscribe the enlarged views and form no part of the claimed design.

(Continued)

**1 Claim, 10 Drawing Sheets**



(56)

**References Cited**

U.S. PATENT DOCUMENTS

D796,439	S	*	9/2017	Nada	.....	D13/123
D797,672	S	*	9/2017	Nada	.....	D13/123
D798,236	S	*	9/2017	Nada	.....	D13/123
D812,019	S	*	3/2018	Kato	.....	D13/162
D821,324	S	*	6/2018	Viman	.....	D13/123
D829,181	S	*	9/2018	Kato	.....	D13/162
D829,672	S	*	10/2018	Kato	.....	D13/162
D845,238	S	*	4/2019	Kato	.....	D13/123

FOREIGN PATENT DOCUMENTS

EM	003367713-0003	*	9/2016
EM	003367713-0004	*	9/2016
JP	1560790	S	10/2016
JP	1561175	S	10/2016
JP	1561176	S	10/2016
JP	1561177	S	10/2016

OTHER PUBLICATIONS

Heita Nada et al., Controller for Servomotor, Design U.S. Appl. No. 29/686,725, filed Apr. 7, 2019, in the USPTO.

\* cited by examiner

Fig. 1

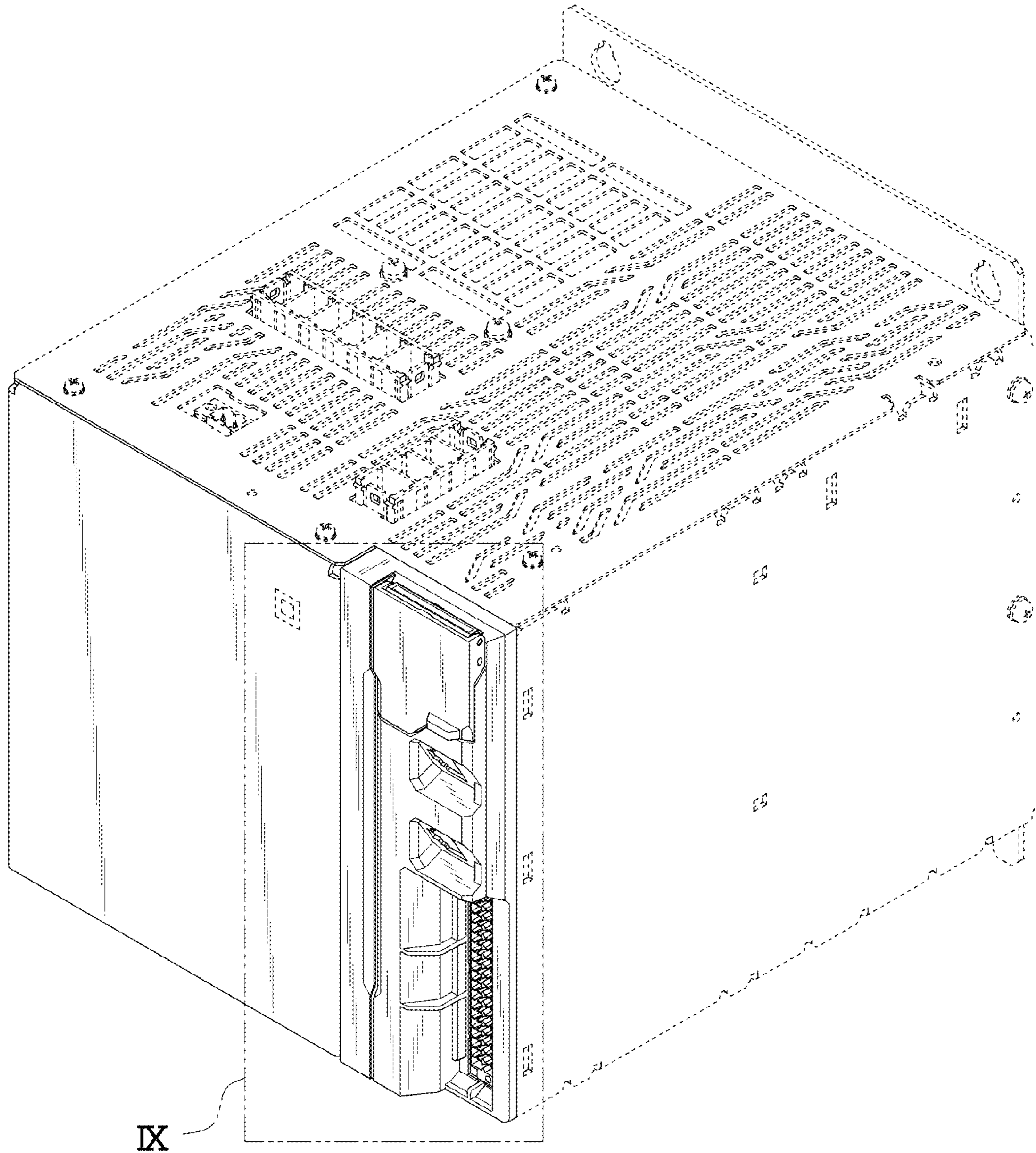


Fig. 2

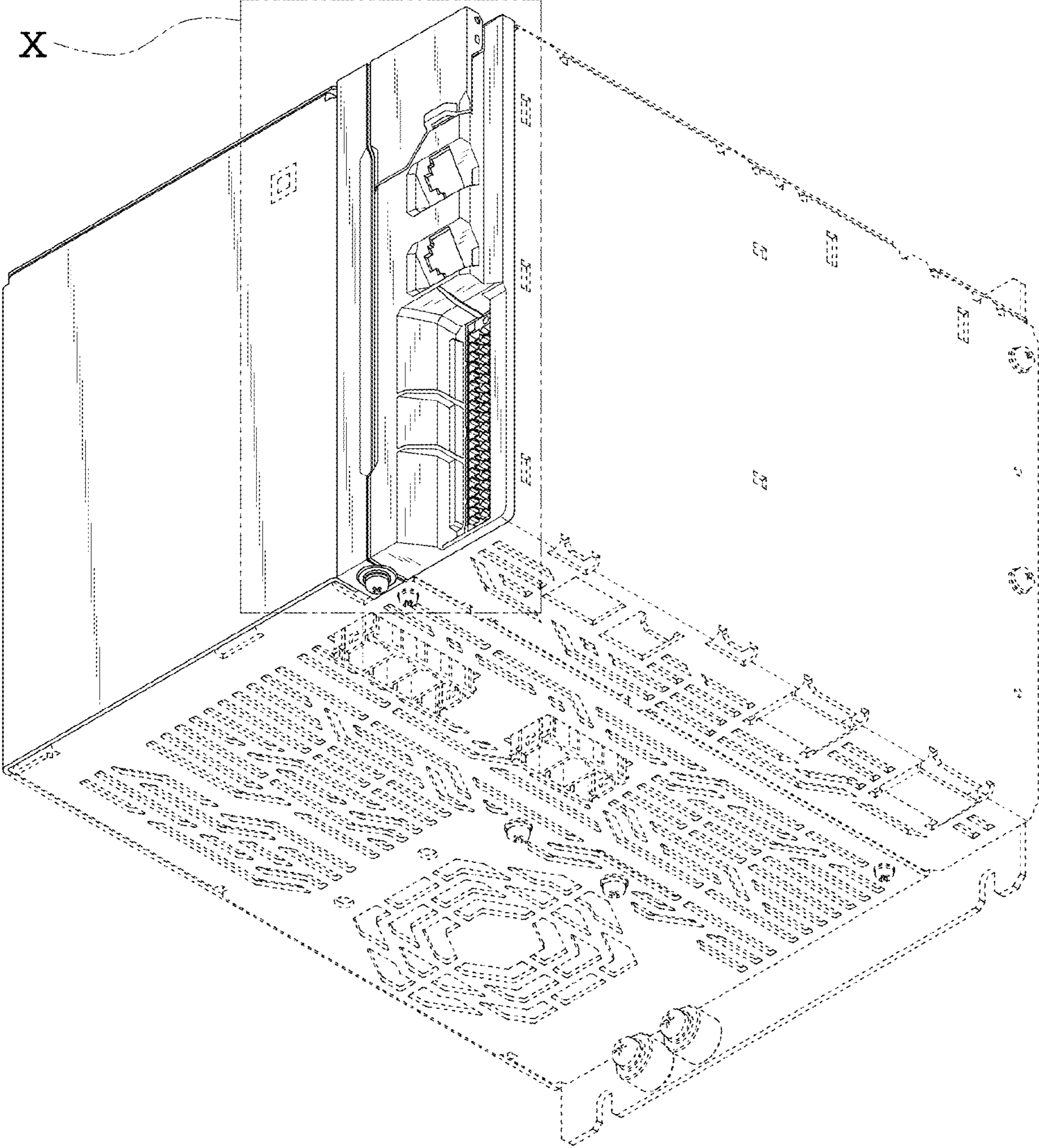


Fig. 3

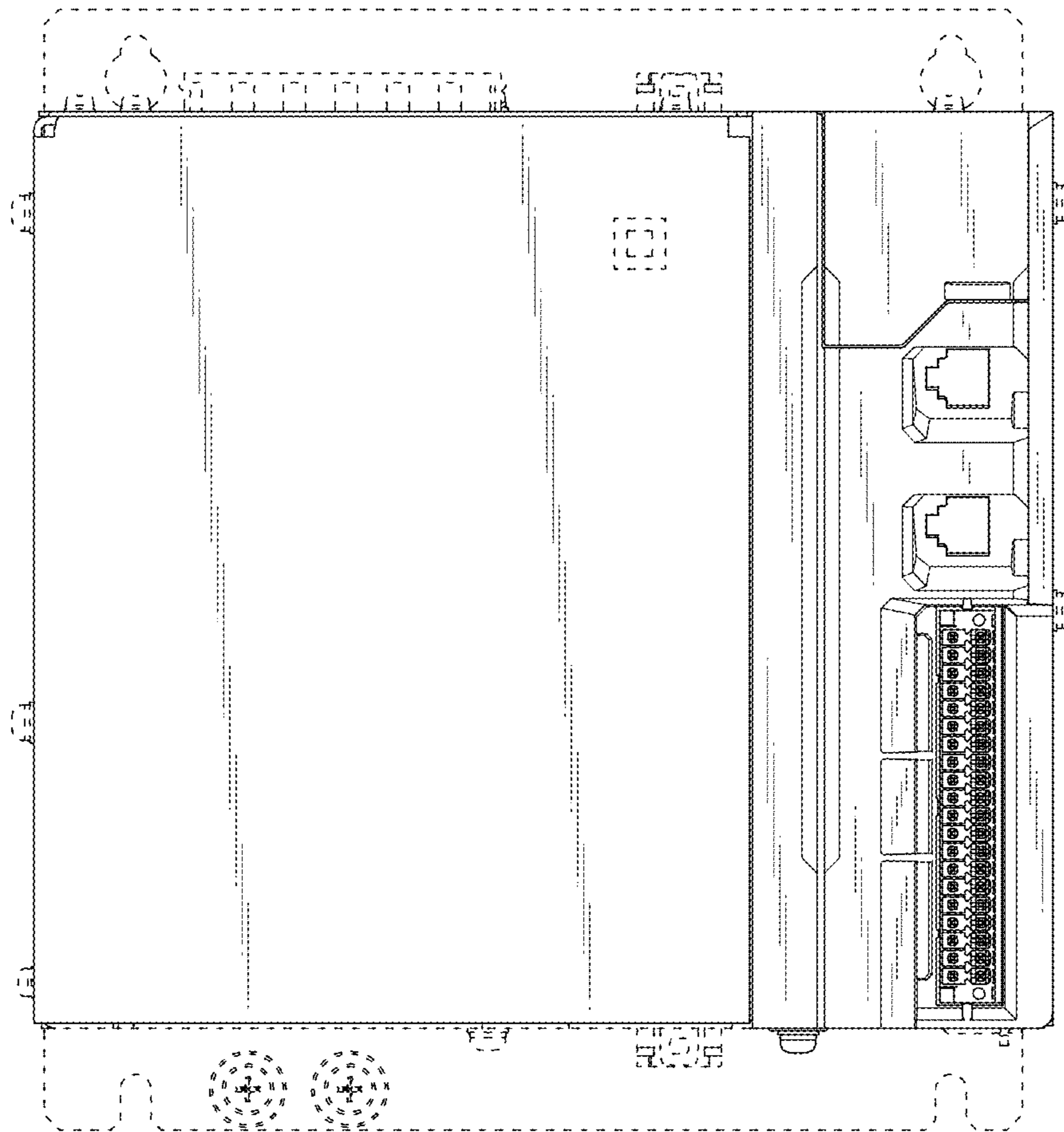


Fig. 4

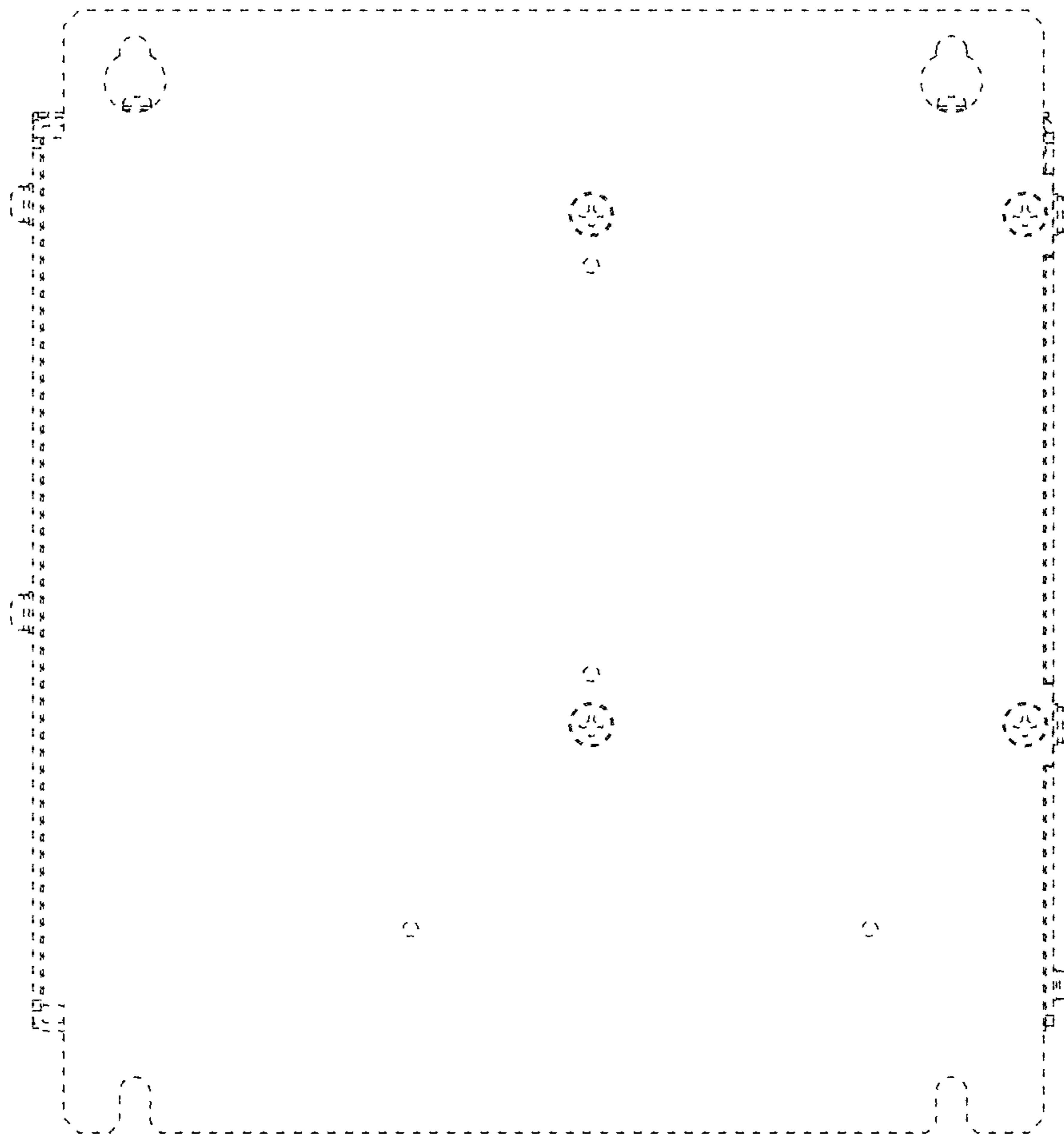


Fig. 5

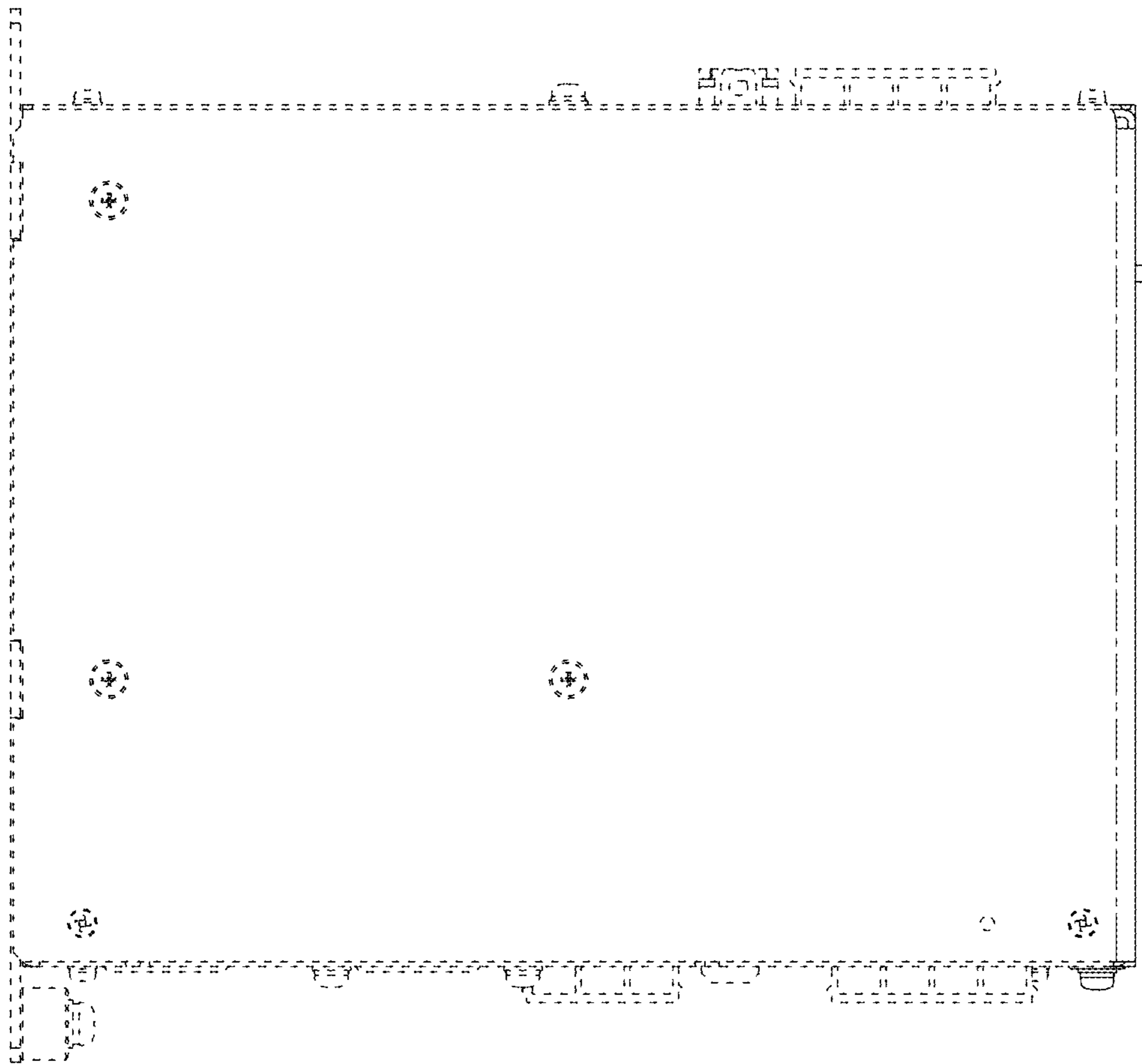


Fig. 6

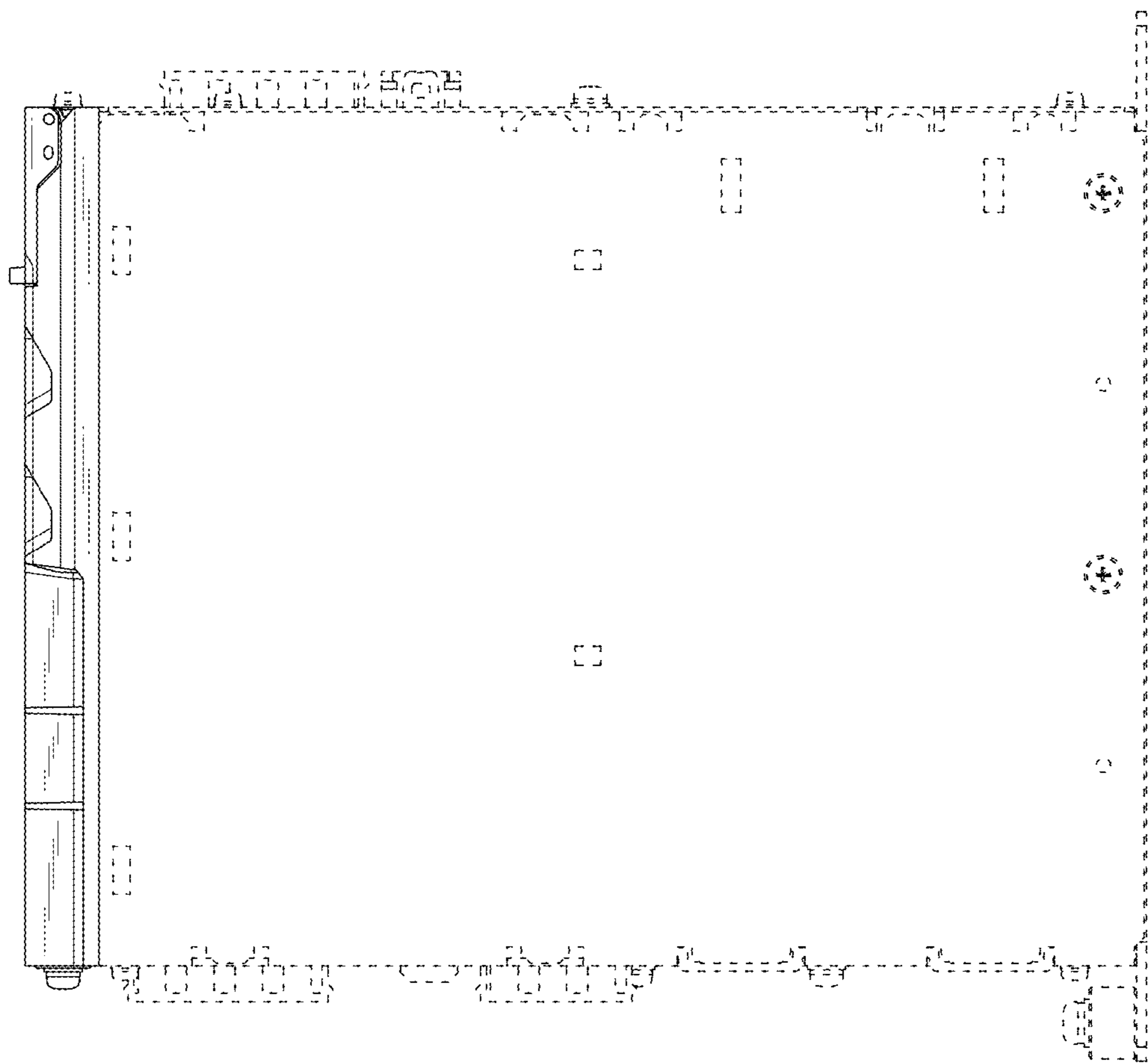




Fig. 7

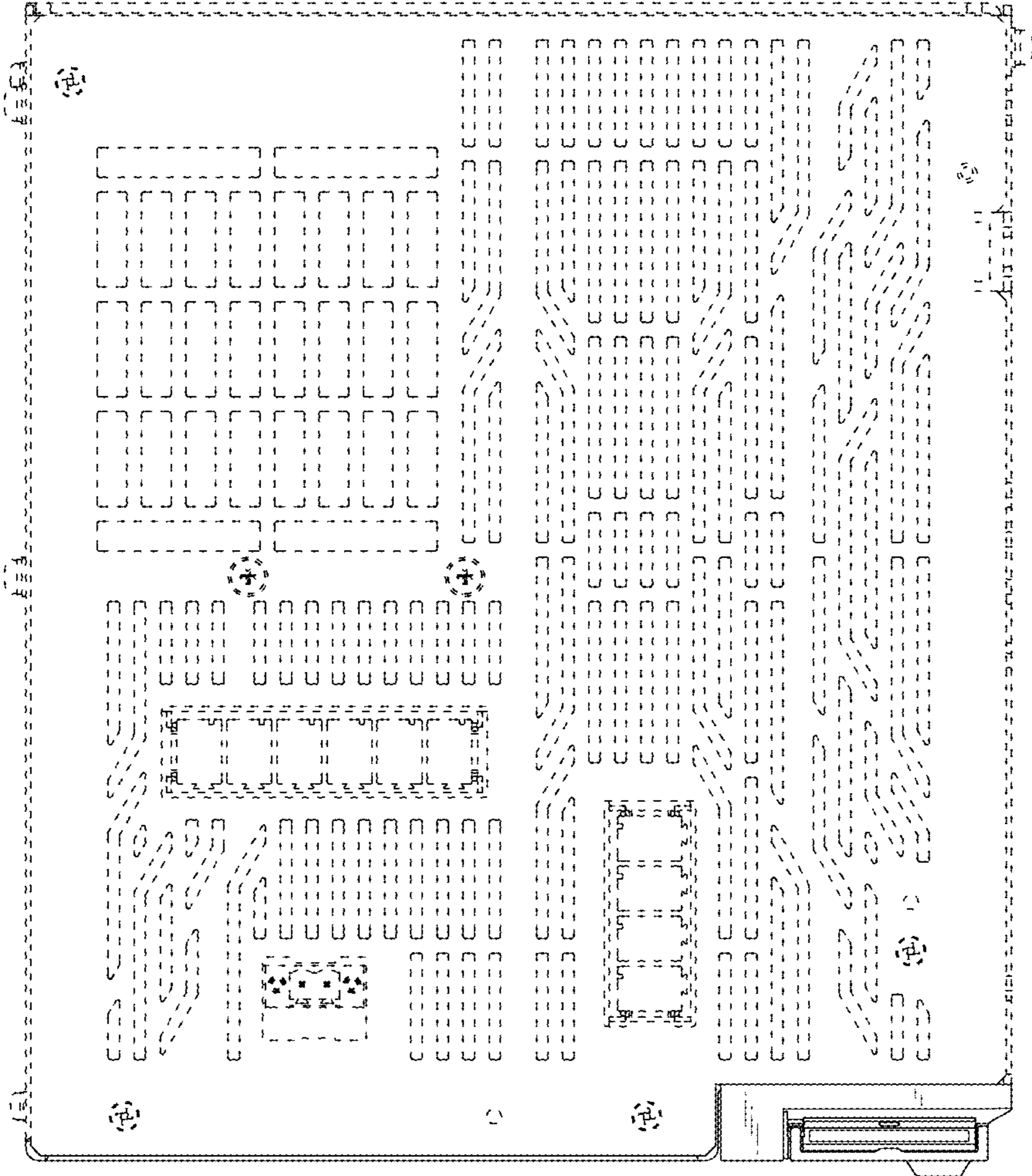


Fig. 8

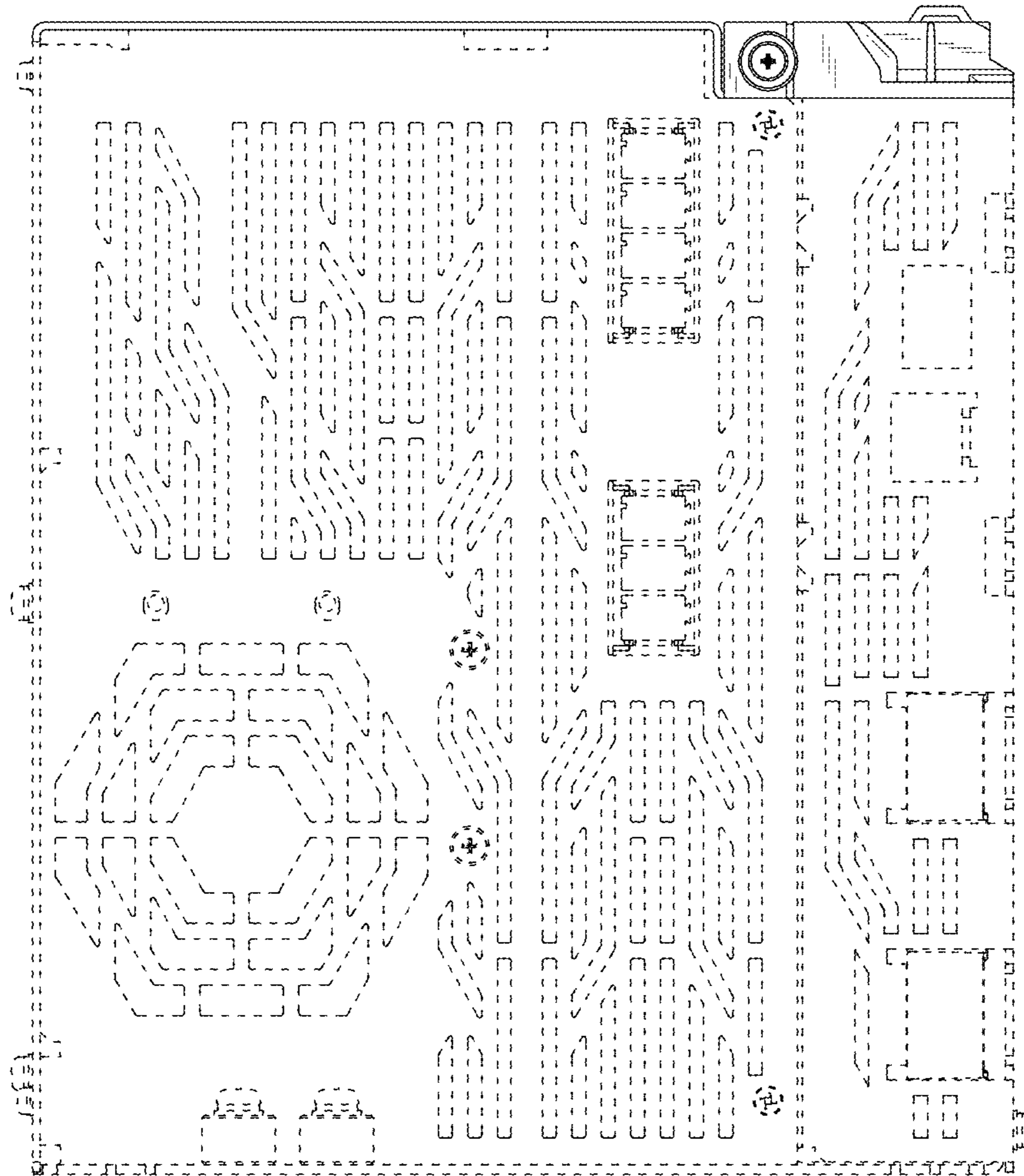


Fig. 9

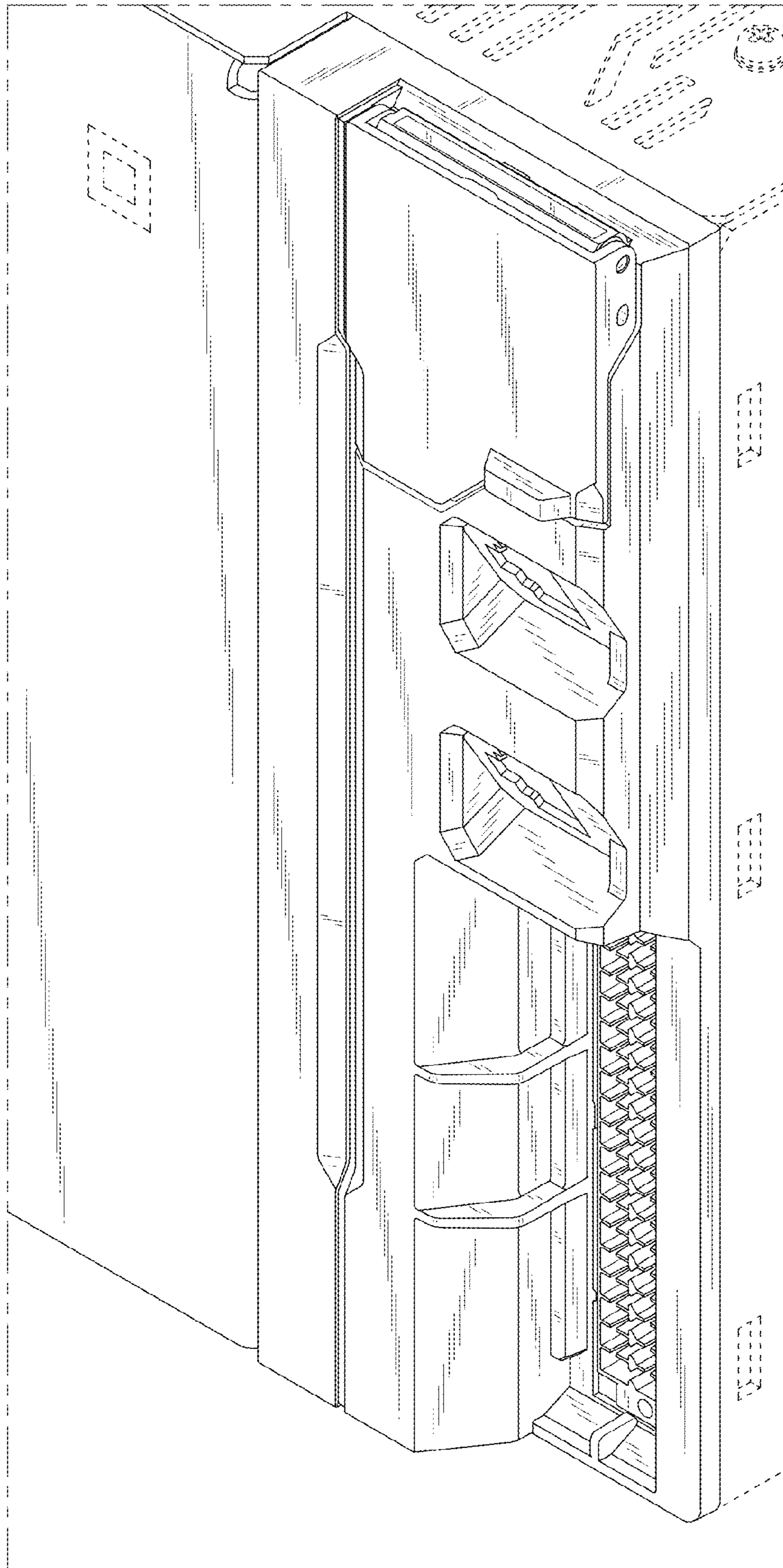


Fig. 10

