



US00D893424S

(12) **United States Design Patent**  
**Ouyang**

(10) **Patent No.:** **US D893,424 S**

(45) **Date of Patent:** **\*\* Aug. 18, 2020**

(54) **SERVO MOTOR**

(71) Applicant: **Shenzhen TBZ Technology Co., LTD.**,  
Shenzhen, Guangdong (CN)

(72) Inventor: **Jianjun Ouyang**, Guangdong (CN)

(73) Assignee: **Shenzhen TBZ Technology Co., LTD.**,  
Shenzhen (CN)

(\*\*) Term: **15 Years**

(21) Appl. No.: **29/675,611**

(22) Filed: **Jan. 3, 2019**

(30) **Foreign Application Priority Data**

Jul. 5, 2018 (CN) ..... 2018 3 0360386

(51) **LOC (12) Cl.** ..... **13-01**

(52) **U.S. Cl.**  
USPC ..... **D13/112; D15/199**

(58) **Field of Classification Search**  
USPC ..... D15/3, 5, 148, 149, 199; D13/112–116,  
D13/118, 122, 133, 162.1, 184, 199;  
D14/188

CPC ..... F02K 9/805; H03M 1/48; H03M 1/668;  
B62D 5/04; B06F 3/016; B23Q 5/36;  
F15B 13/00; B25J 9/12; B25J 9/047;  
B25J 9/126

See application file for complete search history.

(56) **References Cited**

**U.S. PATENT DOCUMENTS**

7,243,562 B2 \* 7/2007 Enright ..... A63H 30/04  
74/89.2  
D674,343 S \* 1/2013 Chen ..... D13/112  
D682,783 S \* 5/2013 Chen ..... D13/112  
D720,293 S \* 12/2014 Saunders ..... D13/133  
9,274,086 B1 \* 3/2016 Windsor ..... G01N 27/9046  
D793,337 S \* 8/2017 Christensen ..... D13/112

9,857,036 B1 \* 1/2018 Shu ..... G02B 6/0008  
D817,878 S \* 5/2018 Shu ..... D13/112  
D817,879 S \* 5/2018 Shu ..... D13/112  
D841,068 S \* 2/2019 Kim ..... D15/199

(Continued)

**FOREIGN PATENT DOCUMENTS**

KR 300856205.0000 \* 5/2016

**OTHER PUBLICATIONS**

Banggood, 360° 20KG Waterproof High Torque Metal Gear RC Servo Motor Car Helicopter Boat, (site visited Jun. 16, 2020), Banggood.com, URL:<<https://www.banggood.com/360-20KG-Waterproof-High-Torque-Metal-Gear-RC-Servo-Motor-Car-Helicopter-Boat-p-1422504.html>> (Year: 2020).\*

(Continued)

*Primary Examiner* — Sheryl Lane  
*Assistant Examiner* — Mark T Philipps

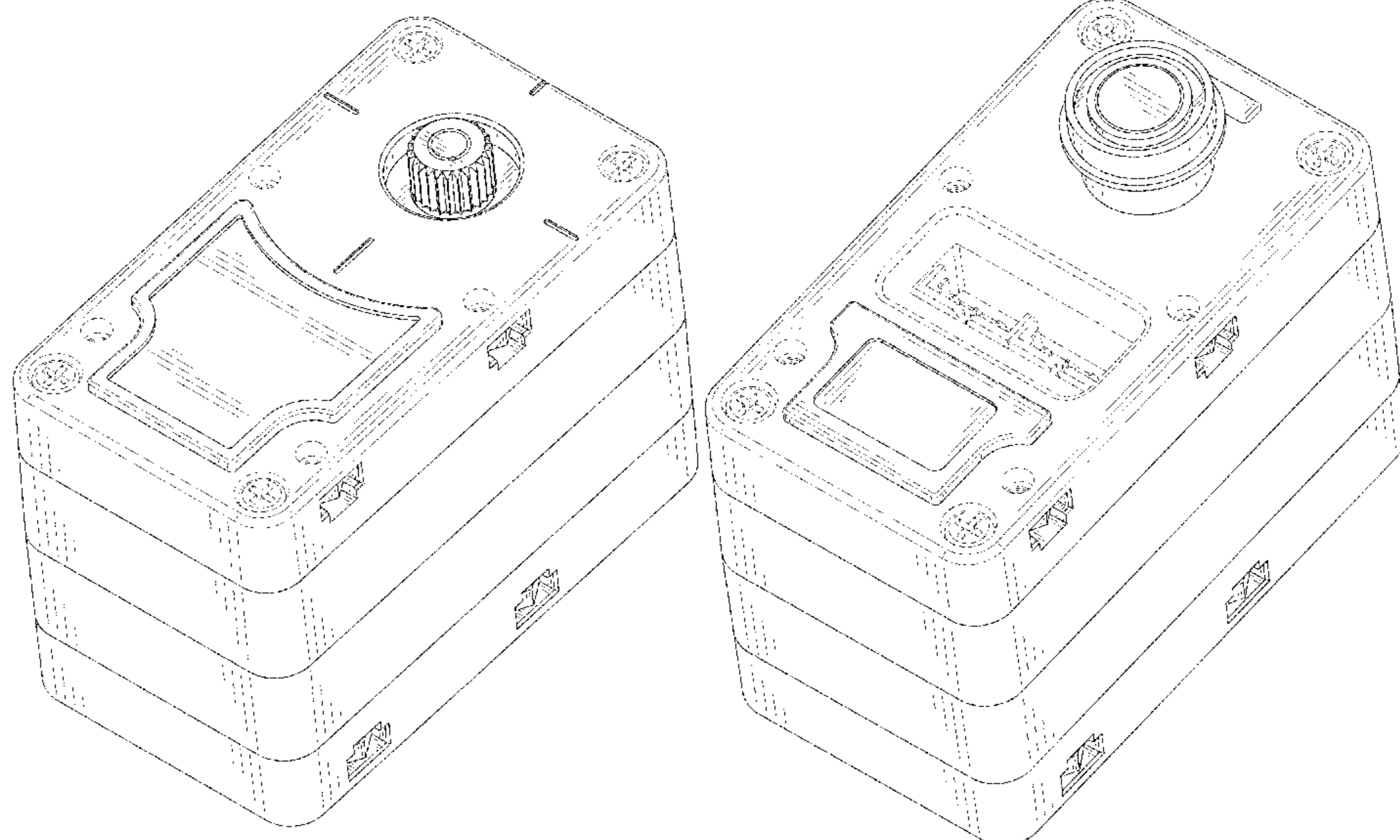
(57) **CLAIM**

The ornamental design for a servo motor, as shown and described.

**DESCRIPTION**

FIG. 1 is a front elevational view of a servo motor showing my new design;  
FIG. 2 is a rear elevational view thereof;  
FIG. 3 is a left side view thereof;  
FIG. 4 is a right side view thereof;  
FIG. 5 is a top plan view thereof;  
FIG. 6 is a bottom plan view thereof;  
FIG. 7 is a bottom, front and right side perspective view thereof;  
FIG. 8 is a bottom, rear and left side perspective view thereof; and,  
FIG. 9 is a top, rear and right side perspective view thereof.  
The broken lines in the drawings illustrate portions of the servo motor which form no part of the claimed design.

**1 Claim, 9 Drawing Sheets**



(56)

**References Cited**

U.S. PATENT DOCUMENTS

2009/0066176 A1\* 3/2009 Pettey ..... H02K 7/116  
310/83  
2014/0161632 A1\* 6/2014 Cocconi ..... F04B 17/03  
417/53  
2015/0207368 A1\* 7/2015 Chen ..... H02K 11/21  
310/83  
2015/0285339 A1\* 10/2015 Chen ..... F16H 1/206  
74/412 R

OTHER PUBLICATIONS

LewanSoul, LX-16A Full Metal Gear Serial Bus Servo Robotic Servo with 17kg High Torque, Real-Time Feedback, (site visited Jun. 16, 2020), Amazon.com, URL:<<https://www.amazon.com/LewanSoul-Real-Time-Feedback-Position-Temperature/dp/B073WR3SK9/>> (Year: 2020).\*

Roger Cheng, Wrangling RC Servos Becoming a Hassle? Try Serial Bus Servos!, (posted Jul. 5, 2018), Hackaday.com, URL:<<https://hackaday.com/2018/07/05/wrangling-rc-servos-becoming-a-hassle-try-serial-bus-servos/>> (Year: 2018).\*

\* cited by examiner

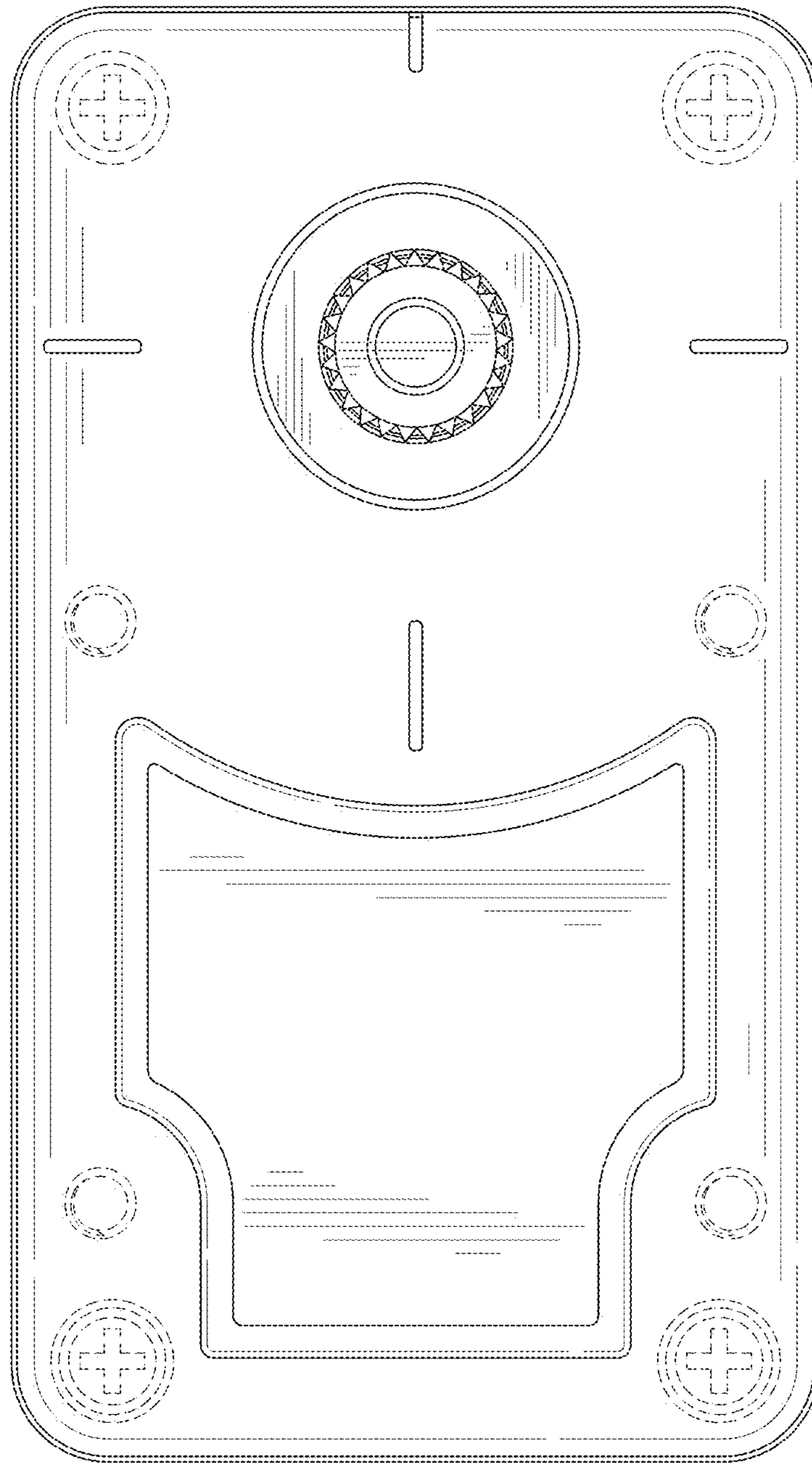


FIG. 1

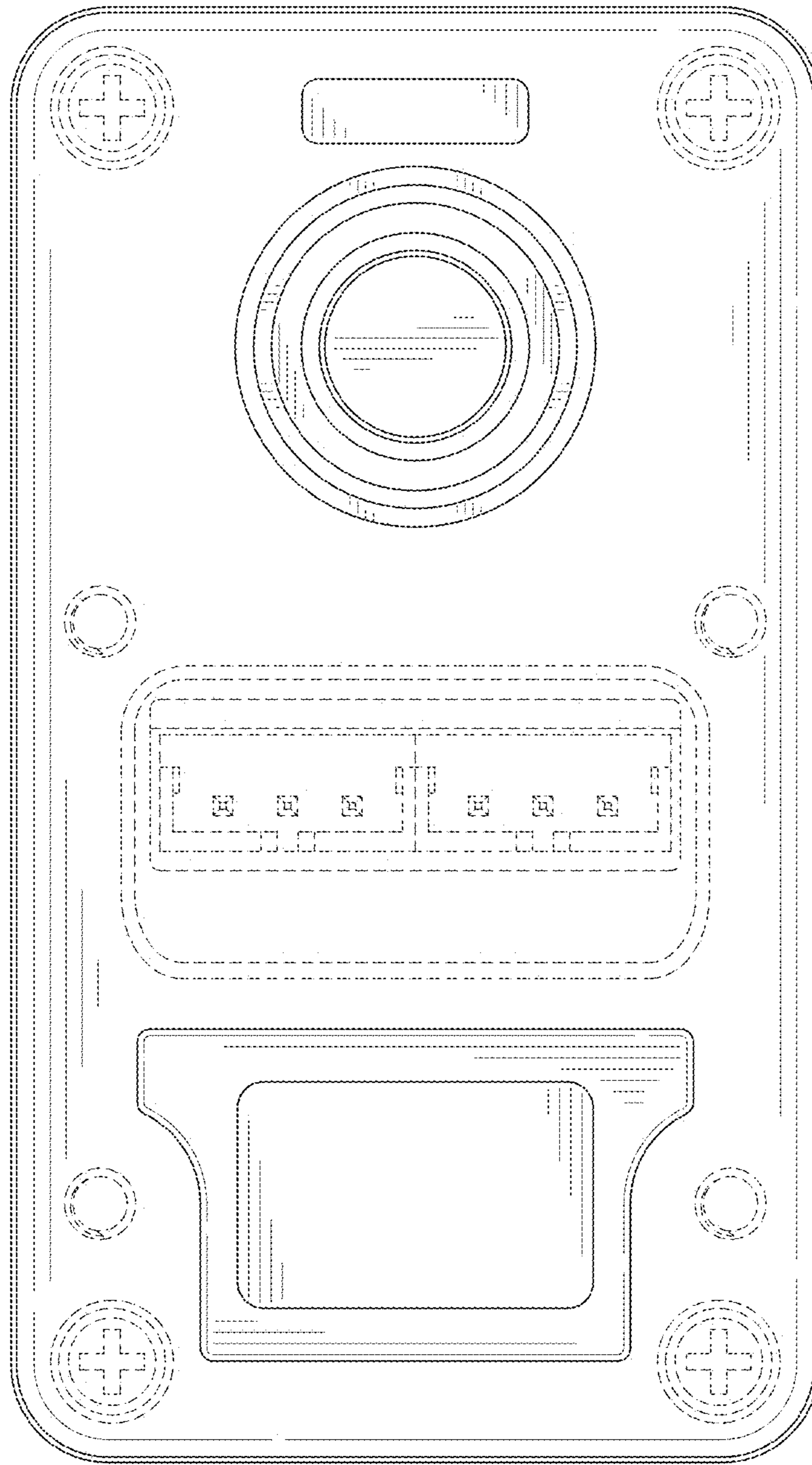


FIG. 2



FIG. 3

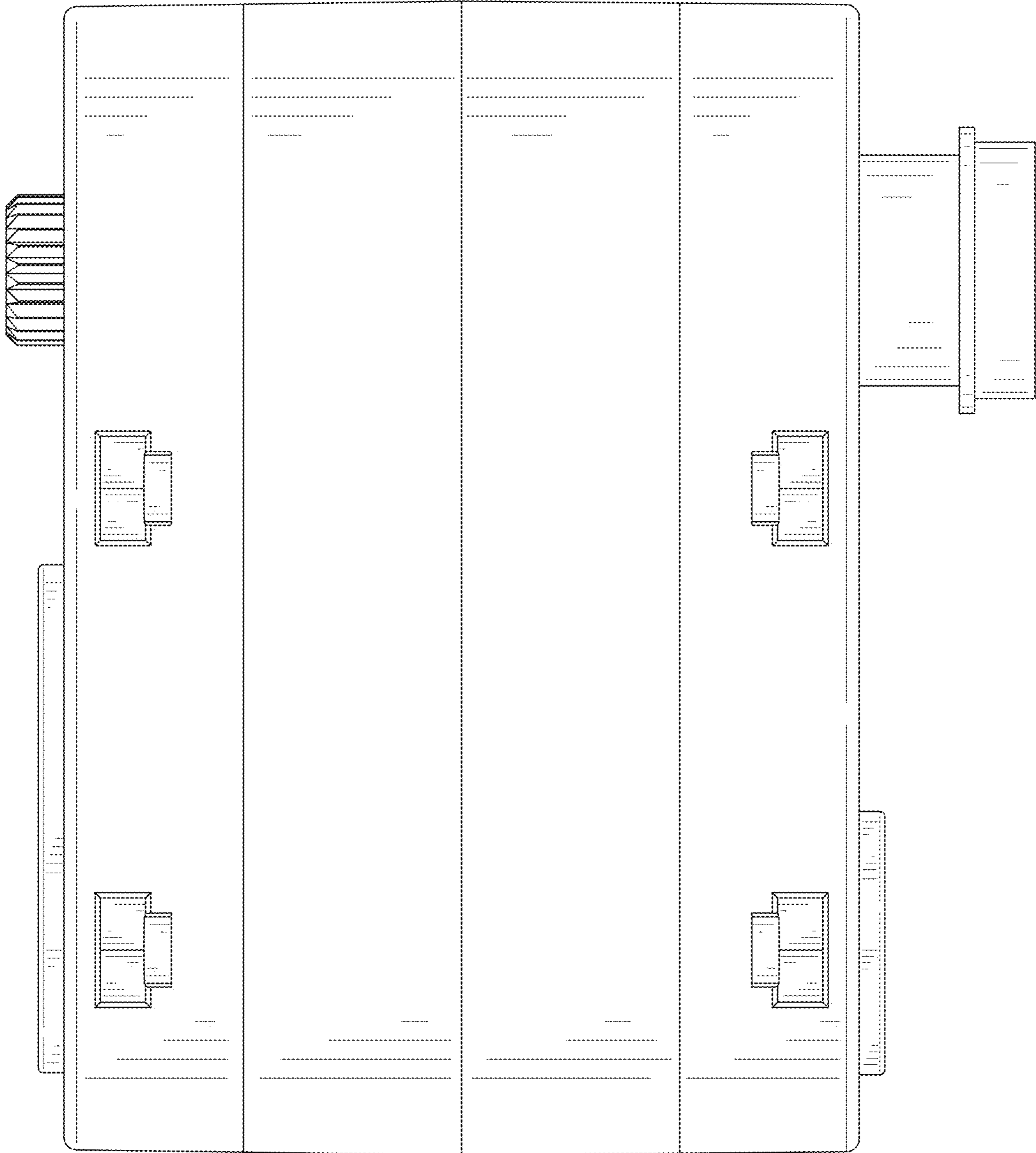


FIG. 4

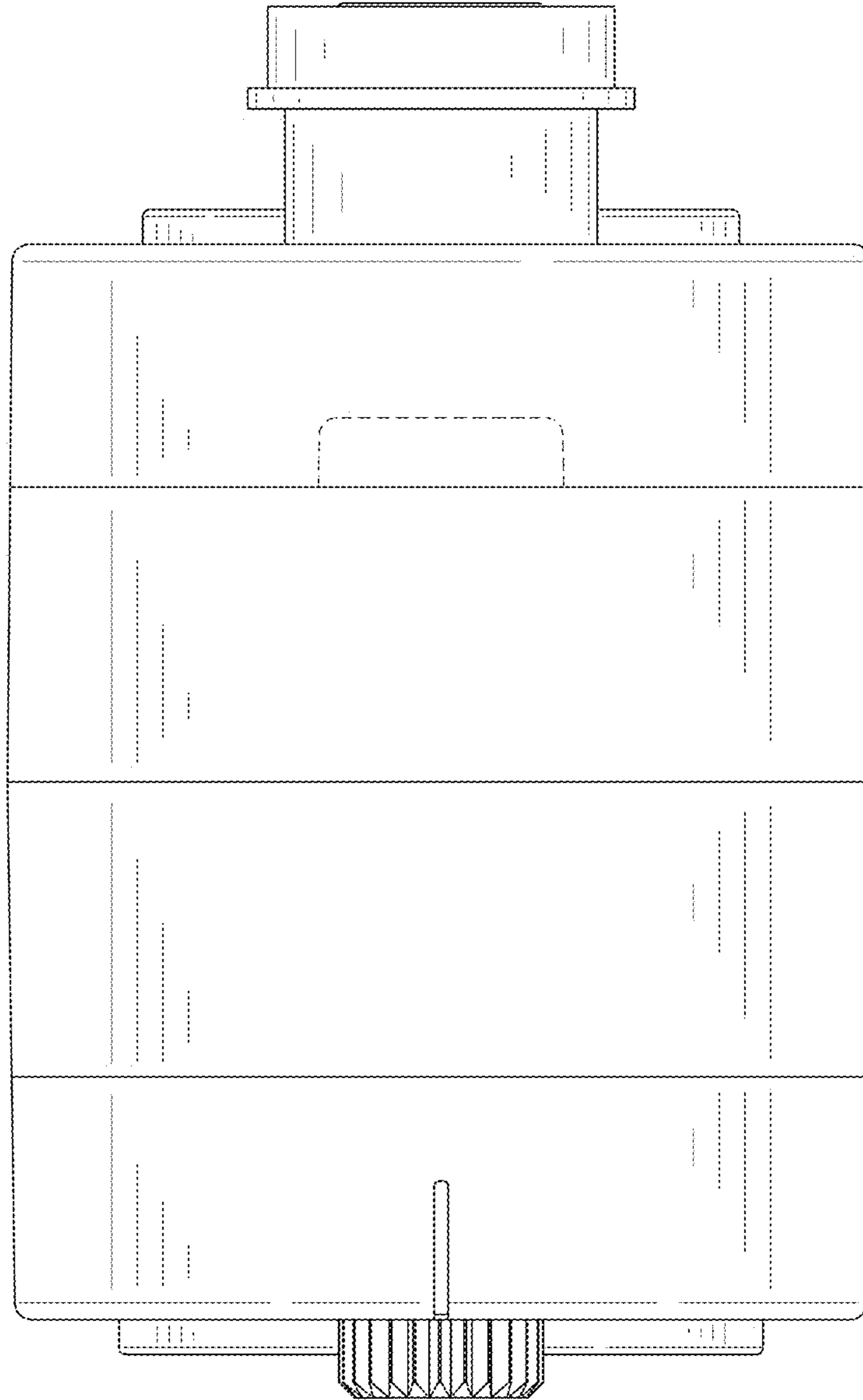


FIG. 5

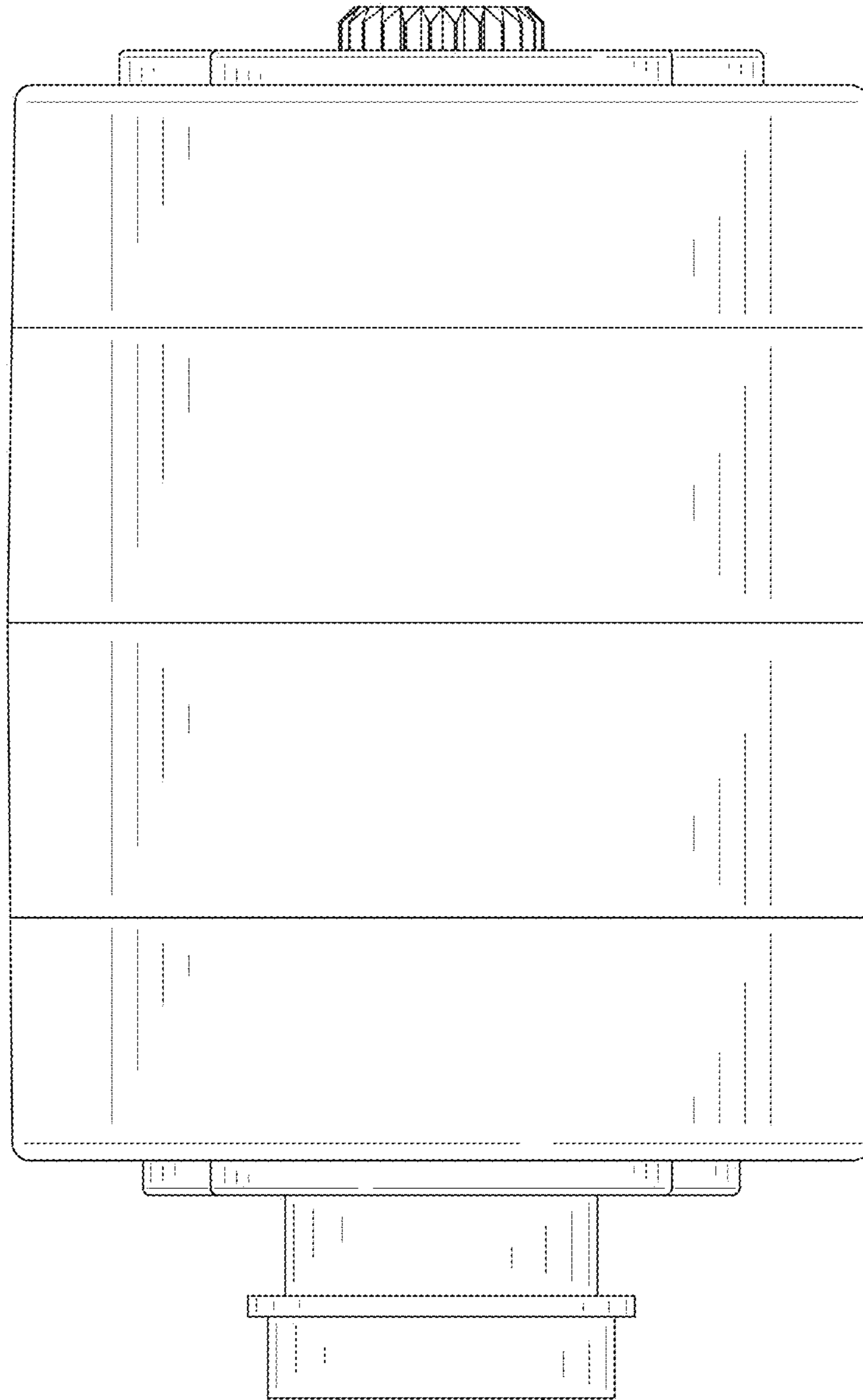


FIG. 6



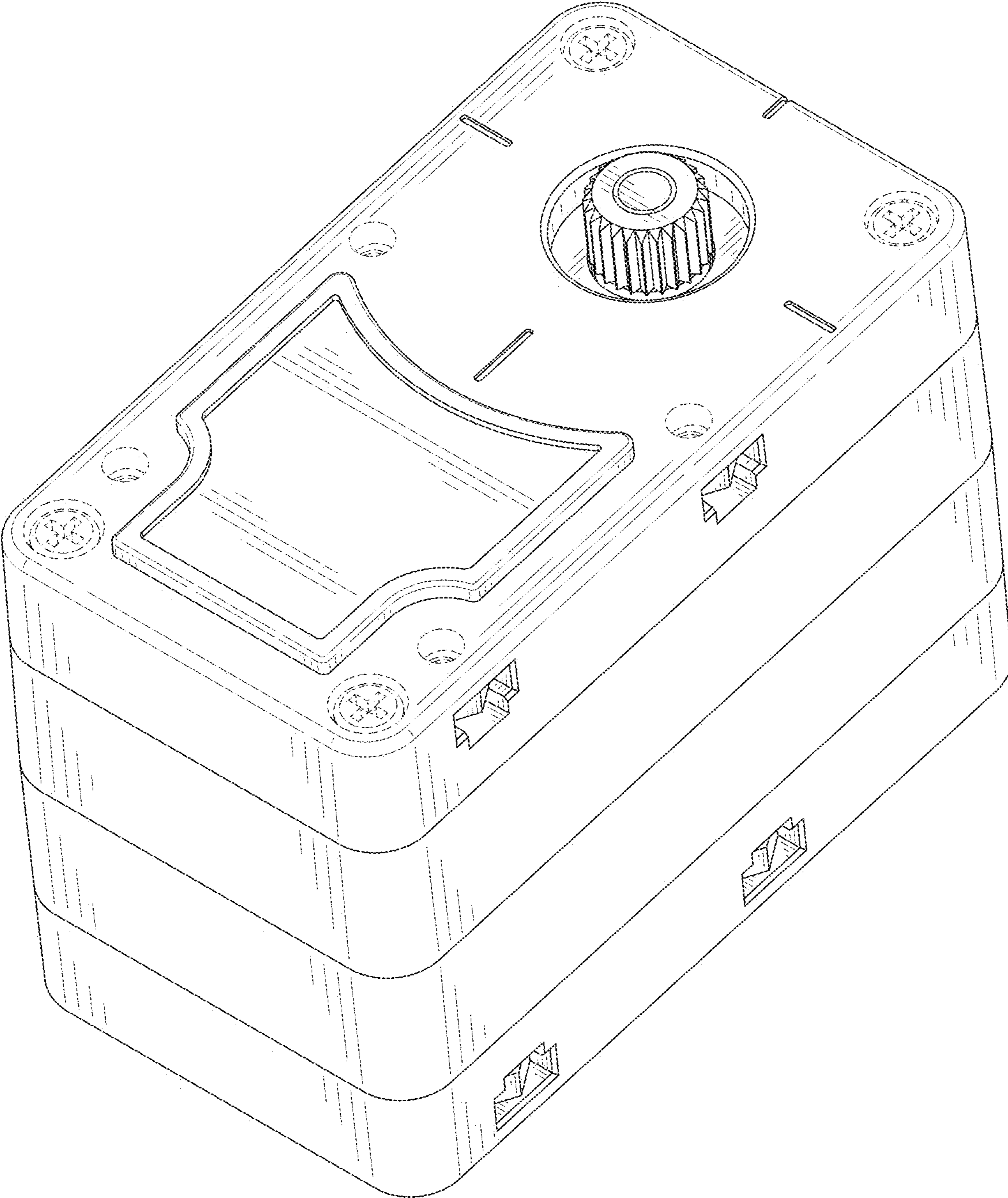


FIG. 7

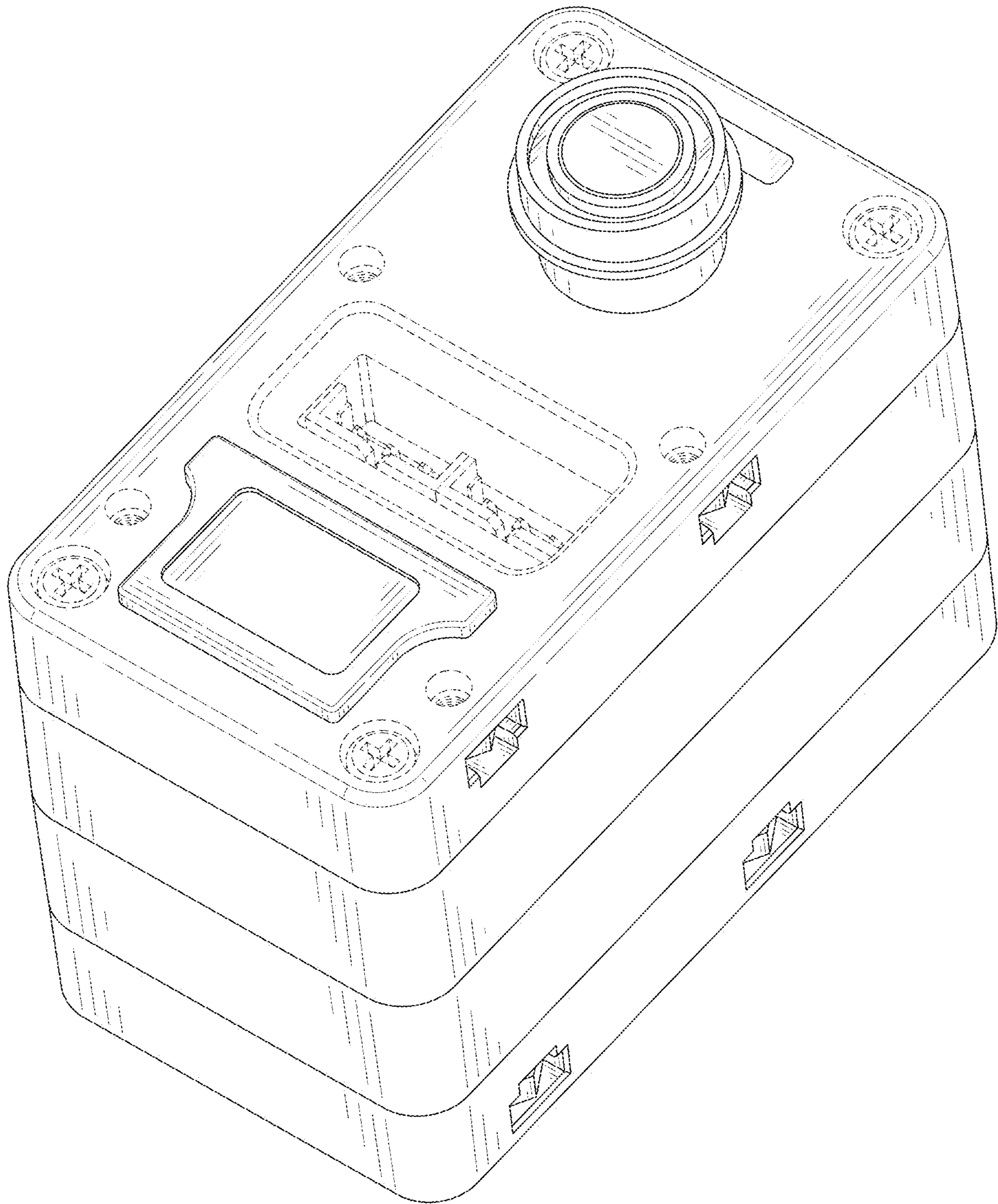


FIG. 8

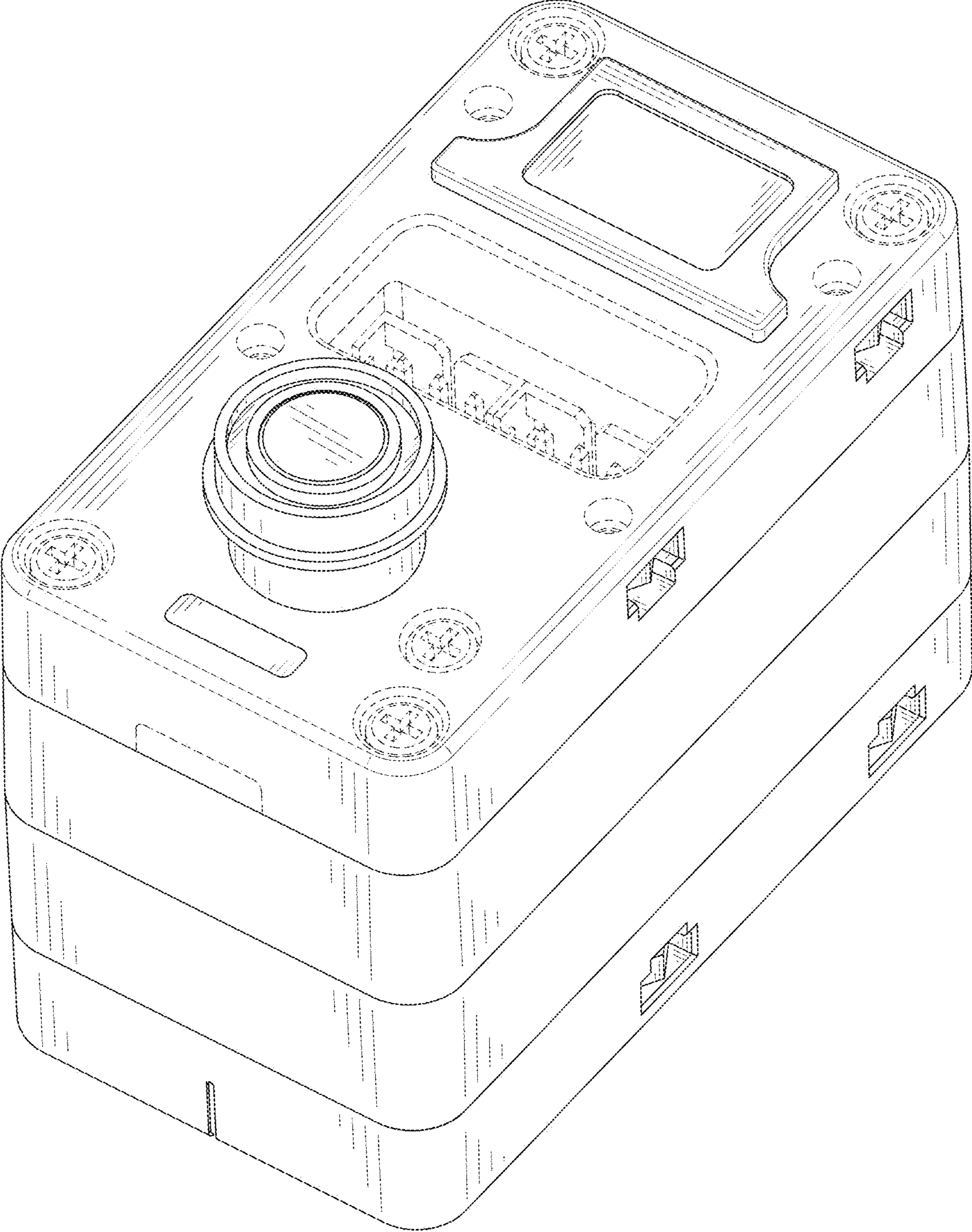


FIG. 9