

US00D893422S

(12) **United States Design Patent**
Xiao

(10) **Patent No.:** **US D893,422 S**

(45) **Date of Patent:** **** Aug. 18, 2020**

(54) **CHARGER**

(71) Applicant: **Jia Xiao**, Guangdong (CN)

(72) Inventor: **Jia Xiao**, Guangdong (CN)

(**) Term: **15 Years**

(21) Appl. No.: **29/687,771**

(22) Filed: **Apr. 16, 2019**

(51) **LOC (12) Cl.** **13-02**

(52) **U.S. Cl.**
USPC **D13/108**

(58) **Field of Classification Search**
USPC D13/103, 107–108, 110, 184, 199;
D14/251, 253, 432, 434
CPC H02J 7/0044; H02J 7/0045; H02J 7/0042;
H02J 7/342; H02J 7/345; H02J 7/025;
H02J 7/026; H02J 7/0007; H02J 7/0027;
H02J 7/0003; H02J 50/00; H02J 50/10;
H02J 50/12; H02J 50/80; H02J 50/40;
H02J 50/402; H02J 50/50
See application file for complete search history.

(56) **References Cited**

U.S. PATENT DOCUMENTS

D557,208 S *	12/2007	Solland	D13/108
D568,327 S *	5/2008	Fitch	D14/434
D621,346 S *	8/2010	Navid	D13/108
D692,376 S *	10/2013	Palmer	D13/108
D724,025 S *	3/2015	Peek	D13/108
D743,334 S *	11/2015	Peek	D13/108

D762,650 S *	8/2016	Dang	D14/434
D771,635 S *	11/2016	Kuo	D14/434
D776,053 S *	1/2017	Barnard	D13/108
D788,094 S *	5/2017	Kim	D14/250
D788,762 S *	6/2017	Kim	D14/250
D789,348 S *	6/2017	Kim	D14/250
D811,414 S *	2/2018	Lee	D14/447
D816,027 S *	4/2018	Chen	D13/108
D826,851 S *	8/2018	Wang	D13/108
D851,587 S *	6/2019	Schmidt	D13/108
D877,072 S *	3/2020	Yin	D13/108
D878,085 S *	3/2020	Werner	D6/526
D884,621 S *	5/2020	Feng	
D886,056 S *	6/2020	Zhang	D13/108

* cited by examiner

Primary Examiner — Rosemary K Tarcza

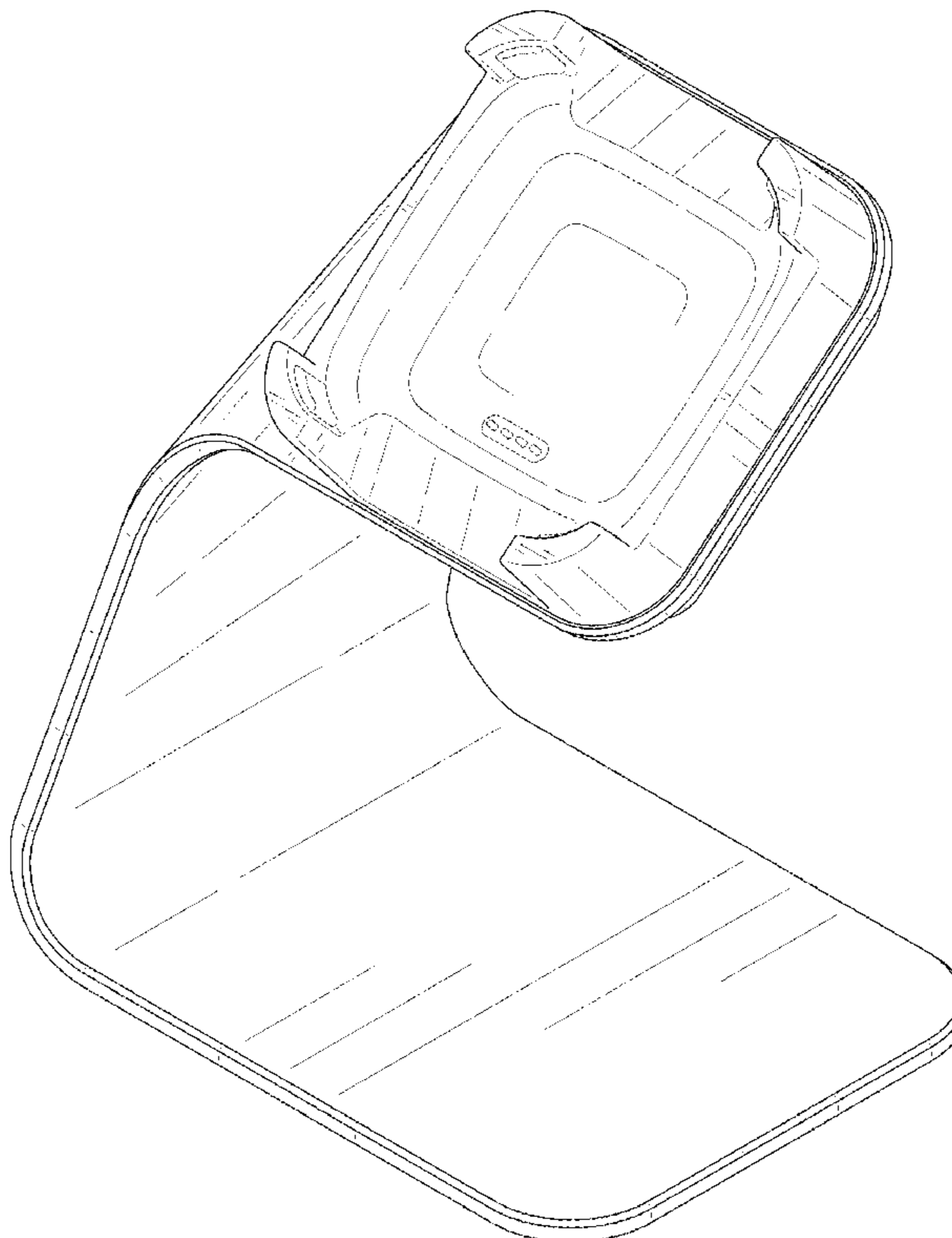
(57) **CLAIM**

The ornamental design for a charger, as shown and described.

DESCRIPTION

FIG. 1 is a perspective view of a charger showing my new design;
FIG. 2 is a front view thereof;
FIG. 3 is a rear view thereof;
FIG. 4 is a left side view thereof;
FIG. 5 is a right side view thereof;
FIG. 6 is a top view thereof; and,
FIG. 7 is a bottom view thereof.
The broken lines in the drawings depict portions of the design that form no part of the claim.

1 Claim, 7 Drawing Sheets



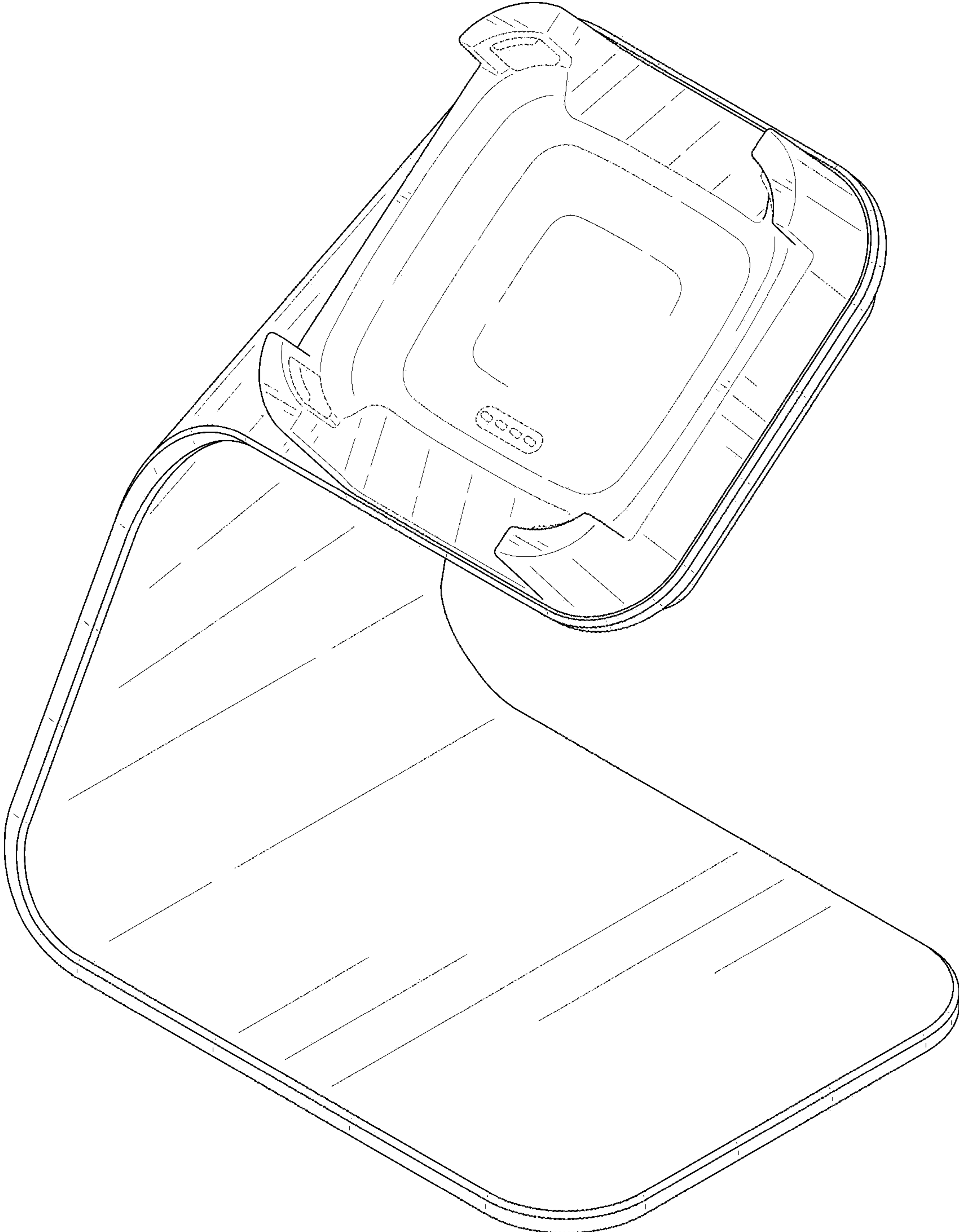


FIG. 1

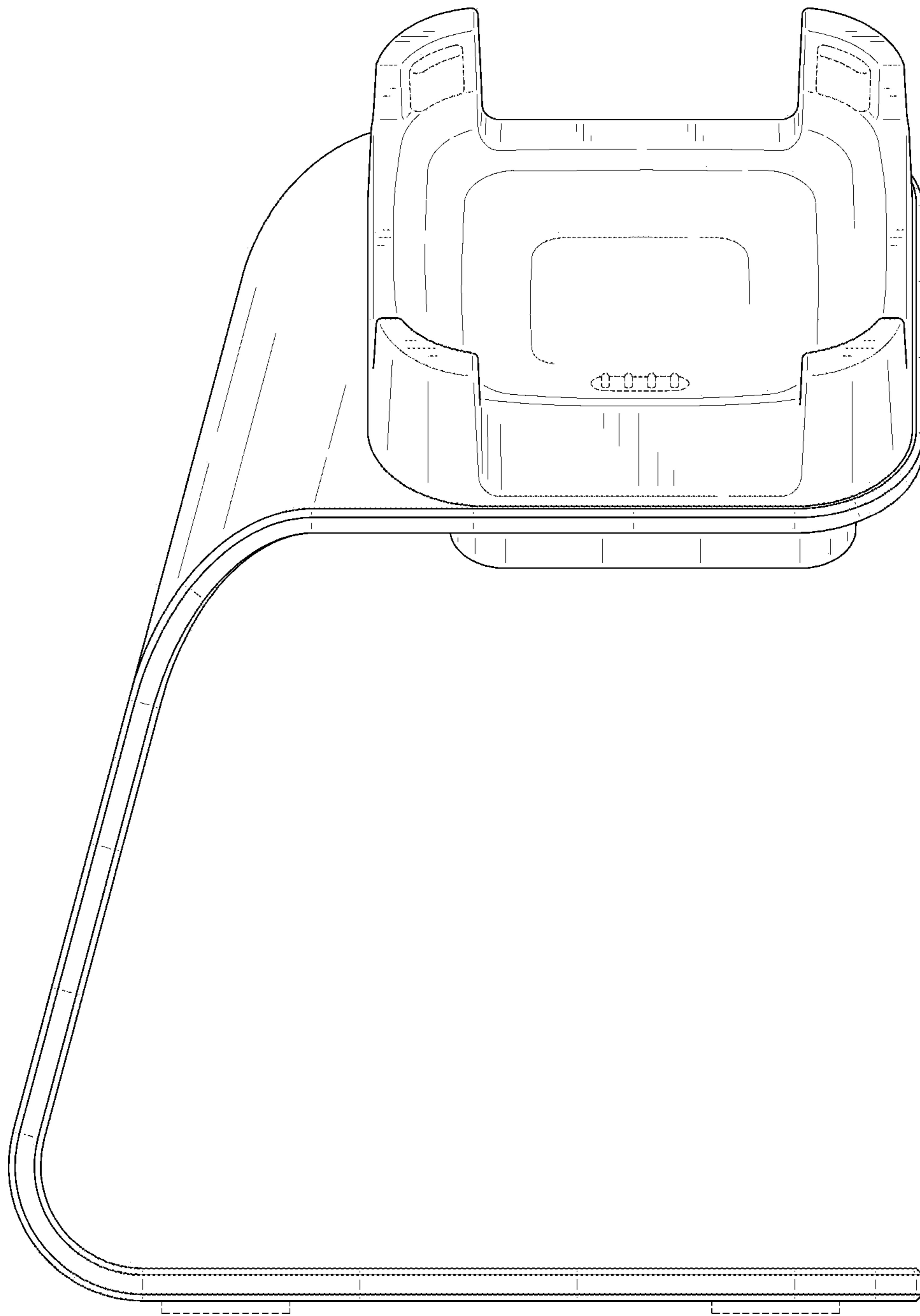


FIG. 2

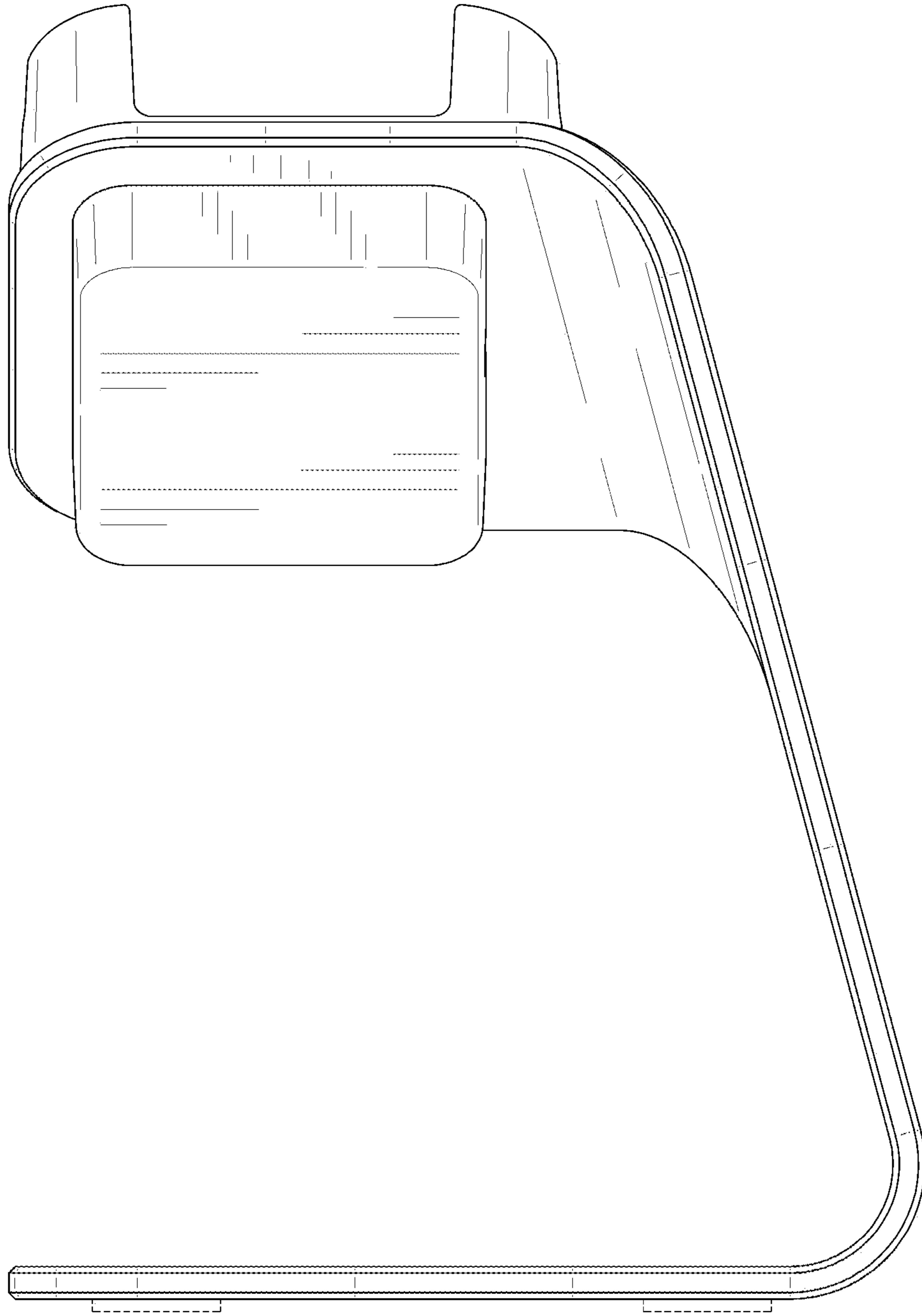


FIG. 3

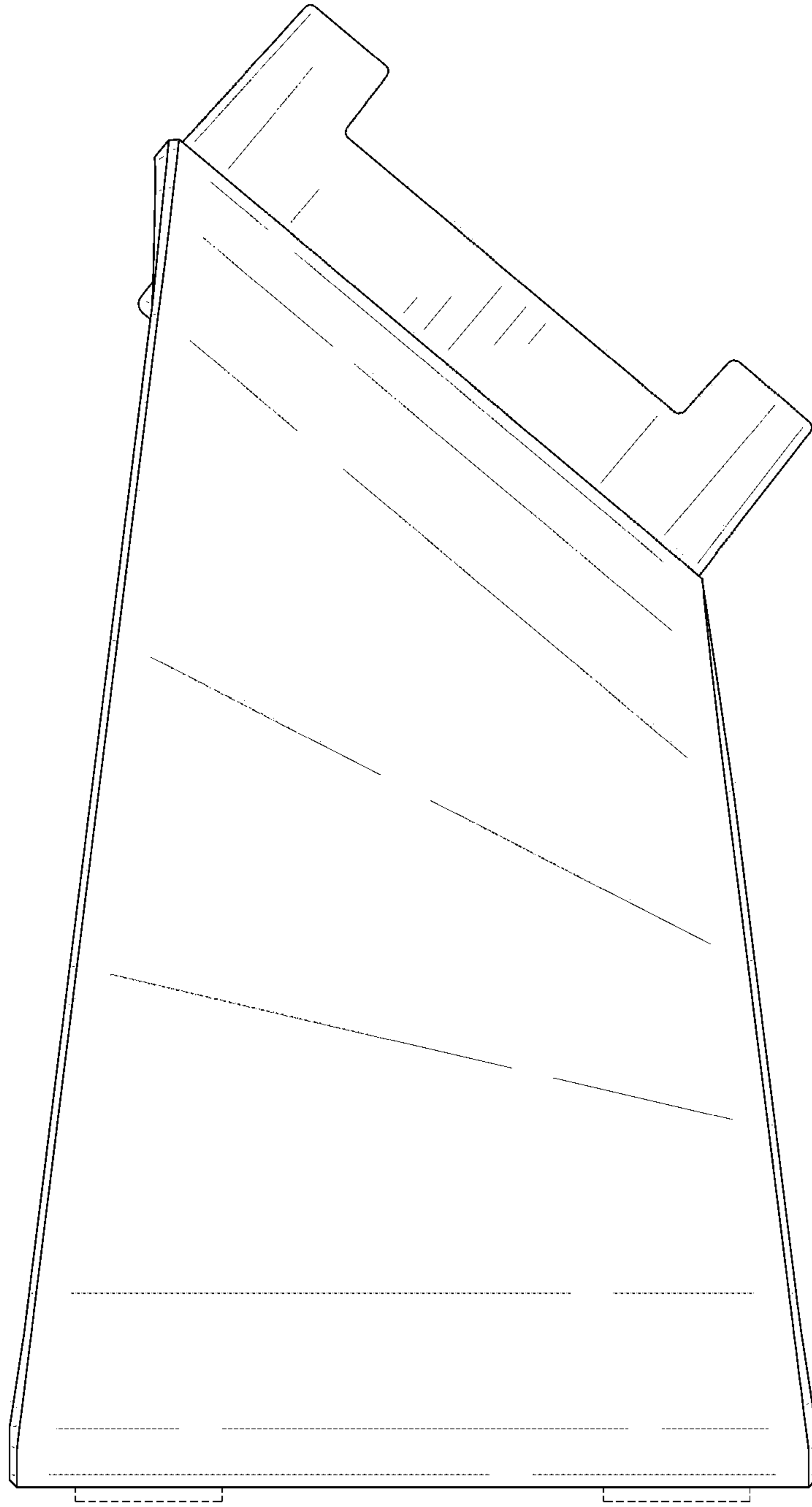


FIG. 4

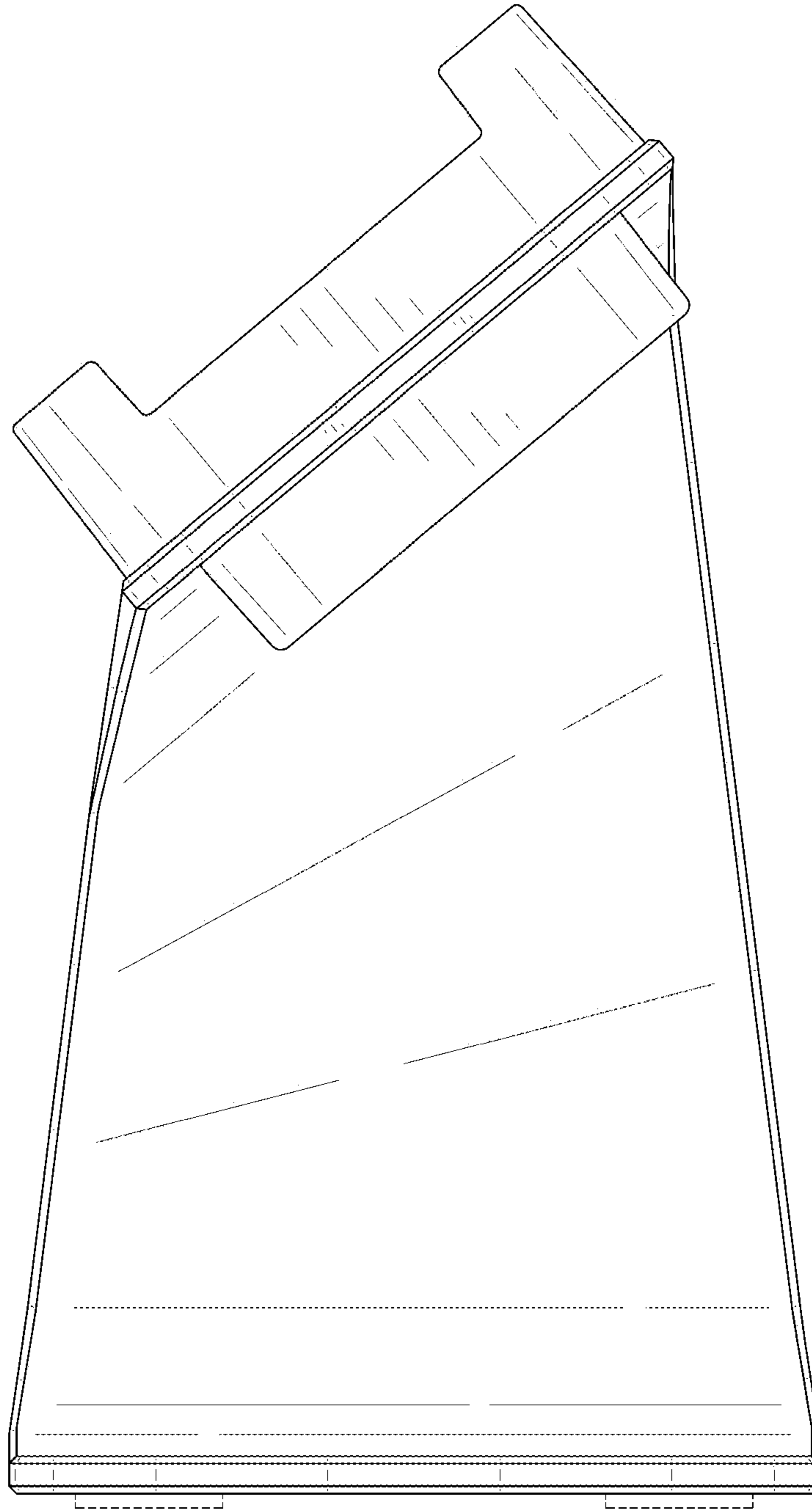


FIG. 5

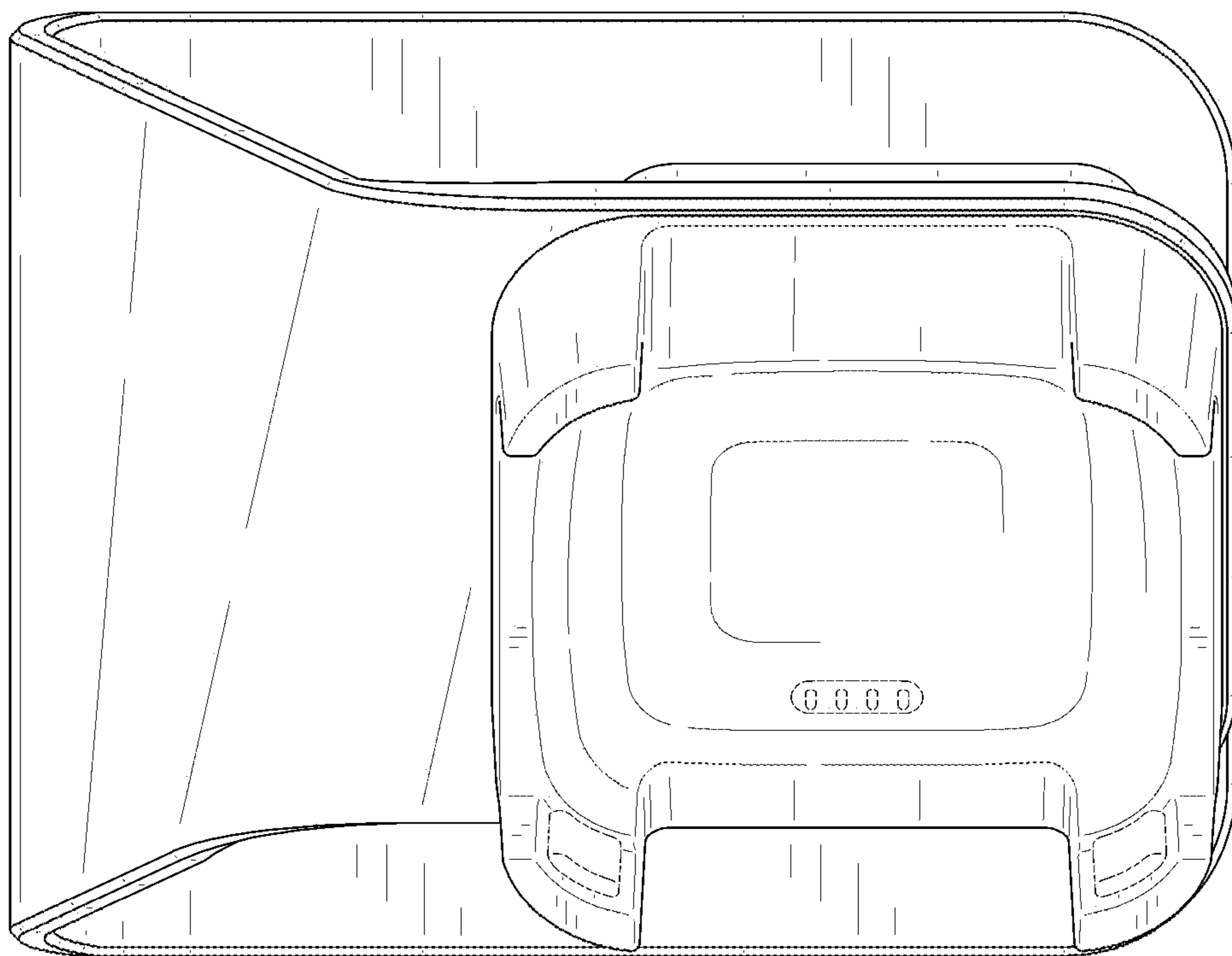


FIG. 6

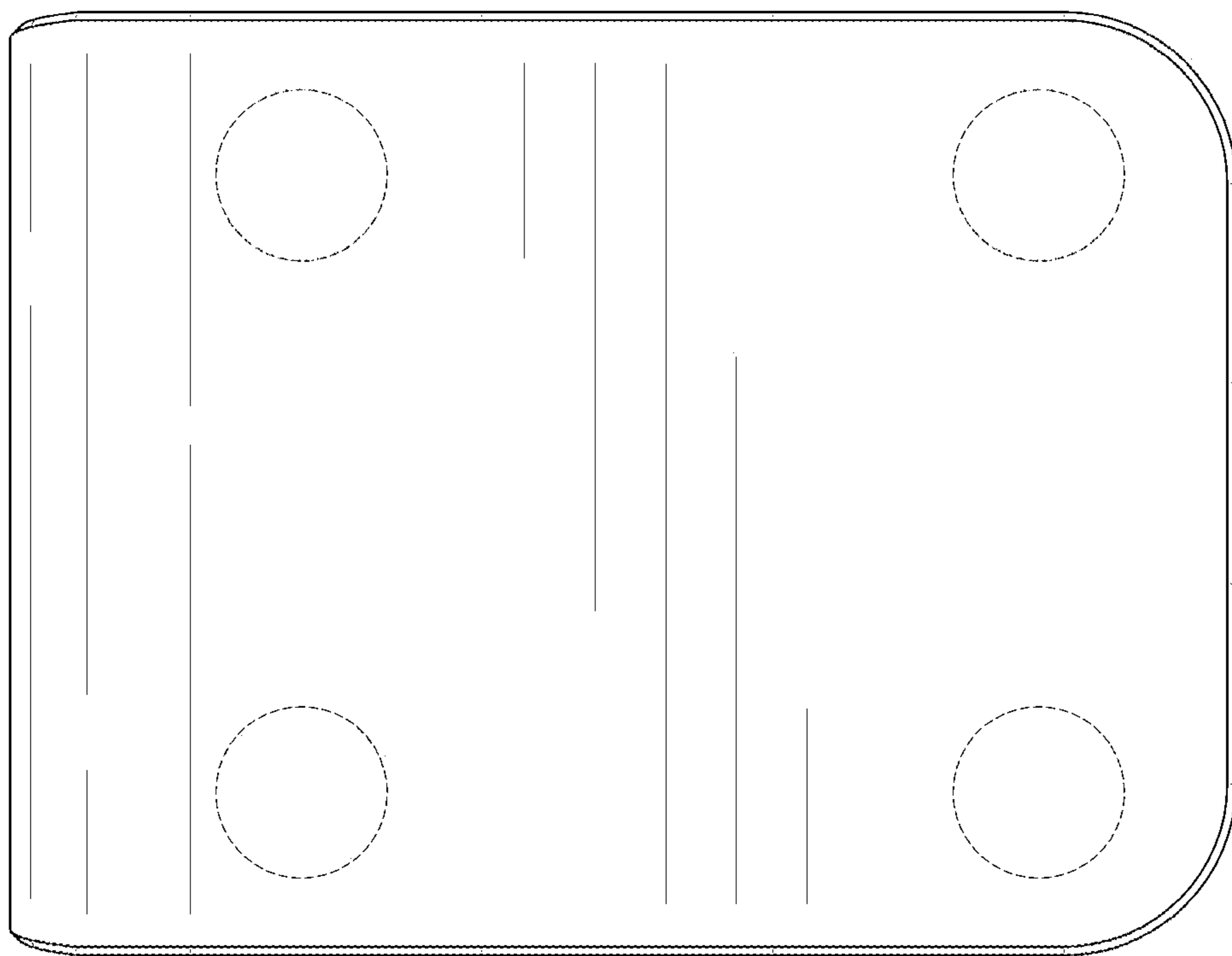


FIG. 7