



US00D893421S

(12) **United States Design Patent**  
**Xiao**

(10) **Patent No.:** **US D893,421 S**

(45) **Date of Patent:** **\*\* Aug. 18, 2020**

(54) **CHARGER**

(71) Applicant: **Jia Xiao**, Guangdong (CN)

(72) Inventor: **Jia Xiao**, Guangdong (CN)

(\*\*) Term: **15 Years**

(21) Appl. No.: **29/687,770**

(22) Filed: **Apr. 16, 2019**

(51) **LOC (12) Cl.** ..... **13-02**

(52) **U.S. Cl.**  
USPC ..... **D13/108**

(58) **Field of Classification Search**  
USPC ..... D13/103, 107-108, 110, 184, 199;  
D14/251, 253, 432, 434; D27/193, 194  
CPC ..... H02J 7/0044; H02J 7/0045; H02J 7/0042;  
H02J 7/342; H02J 7/345; H02J 7/025;  
H02J 7/026; H02J 7/0007; H02J 7/0027;  
H02J 7/0003; H02J 50/10; B60R 16/033  
See application file for complete search history.

(56) **References Cited**

**U.S. PATENT DOCUMENTS**

D475,417 S	*	6/2003	Wintersteiger	.....	D14/432
D476,376 S	*	6/2003	Wintersteiger	.....	D14/432
D526,973 S	*	8/2006	Gates	.....	D13/168
D558,208 S	*	12/2007	Ikeda	.....	D14/434
D558,209 S	*	12/2007	Ikeda	.....	D14/434
D575,289 S	*	8/2008	Kuo	.....	D14/434

D585,898 S	*	2/2009	Skurdal	.....	D14/434
D680,541 S	*	4/2013	Lee	.....	D14/217
D693,814 S	*	11/2013	Park	.....	D14/434
D694,228 S	*	11/2013	Richter	.....	D14/253
D717,244 S	*	11/2014	Reishus	.....	D13/108
D749,504 S	*	2/2016	Jeong	.....	D13/108
D768,635 S	*	10/2016	Due	.....	D14/432
D784,259 S	*	4/2017	Huang	.....	D13/108
D802,529 S	*	11/2017	Andersson	.....	D13/108
D824,851 S	*	8/2018	Antonetti	.....	D13/108

\* cited by examiner

*Primary Examiner* — Rosemary K Tarcaza

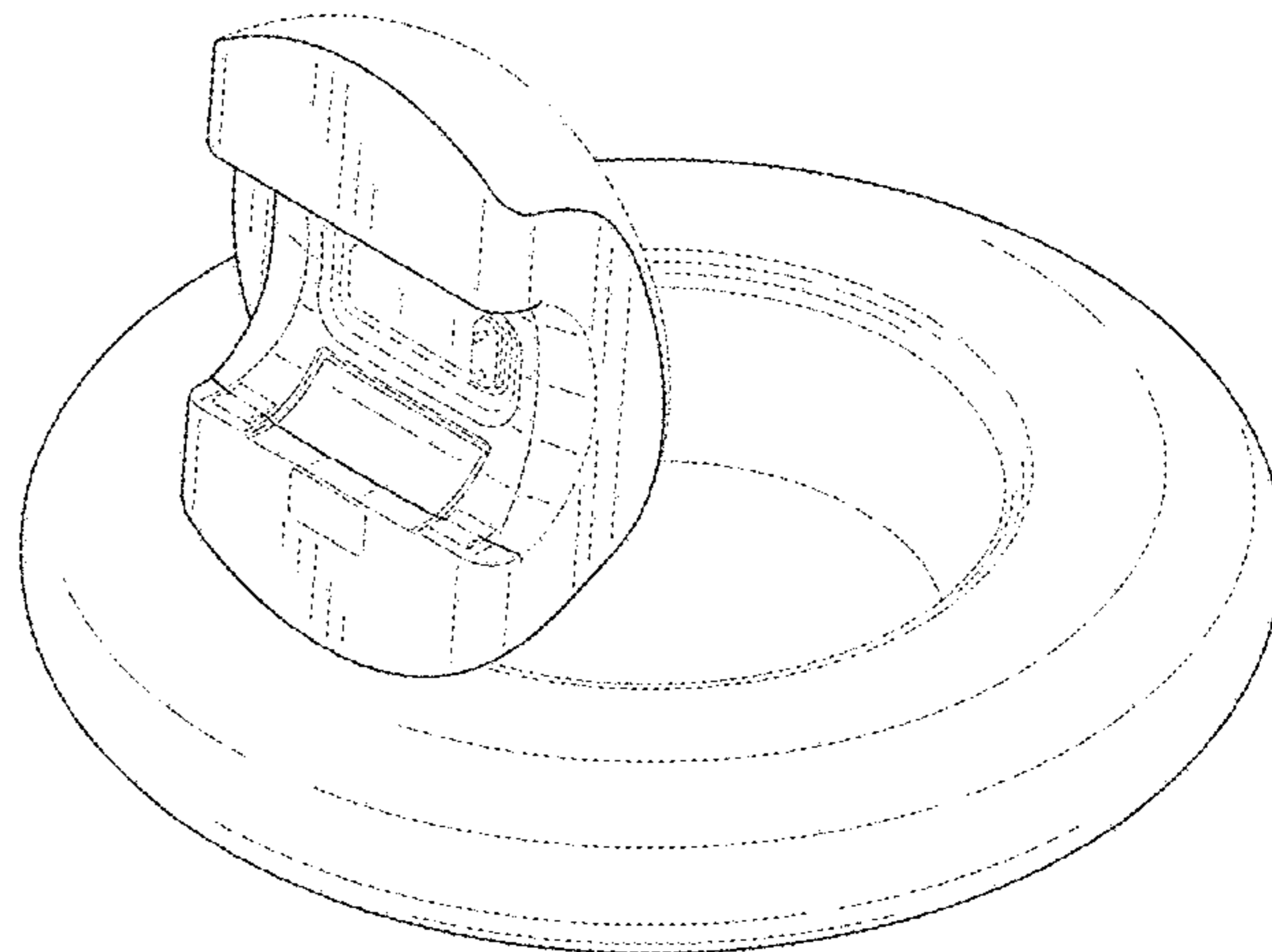
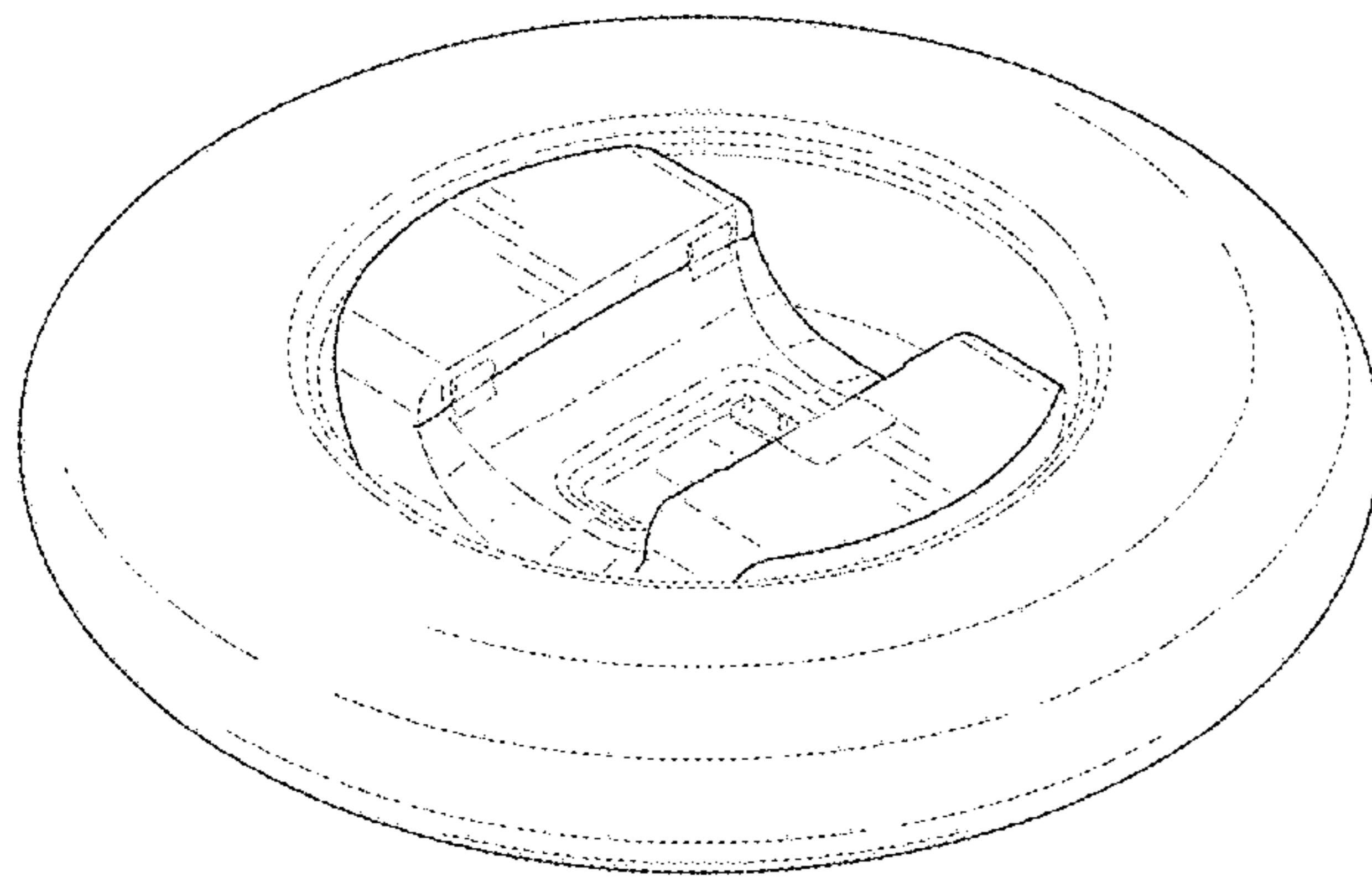
(57) **CLAIM**

The ornamental design for a charger, as shown and described.

**DESCRIPTION**

FIG. 1 is a perspective view of a charger showing my new design;  
FIG. 2 is a front view thereof;  
FIG. 3 is a rear view thereof;  
FIG. 4 is a left side view thereof;  
FIG. 5 is a right side view thereof;  
FIG. 6 is a top view thereof;  
FIG. 7 is a bottom view thereof; and,  
FIG. 8 is another perspective view thereof, showing the dock portion of the charger in an open position.  
The broken lines in the drawings depict portions of the design that form no part of the claim.

**1 Claim, 6 Drawing Sheets**



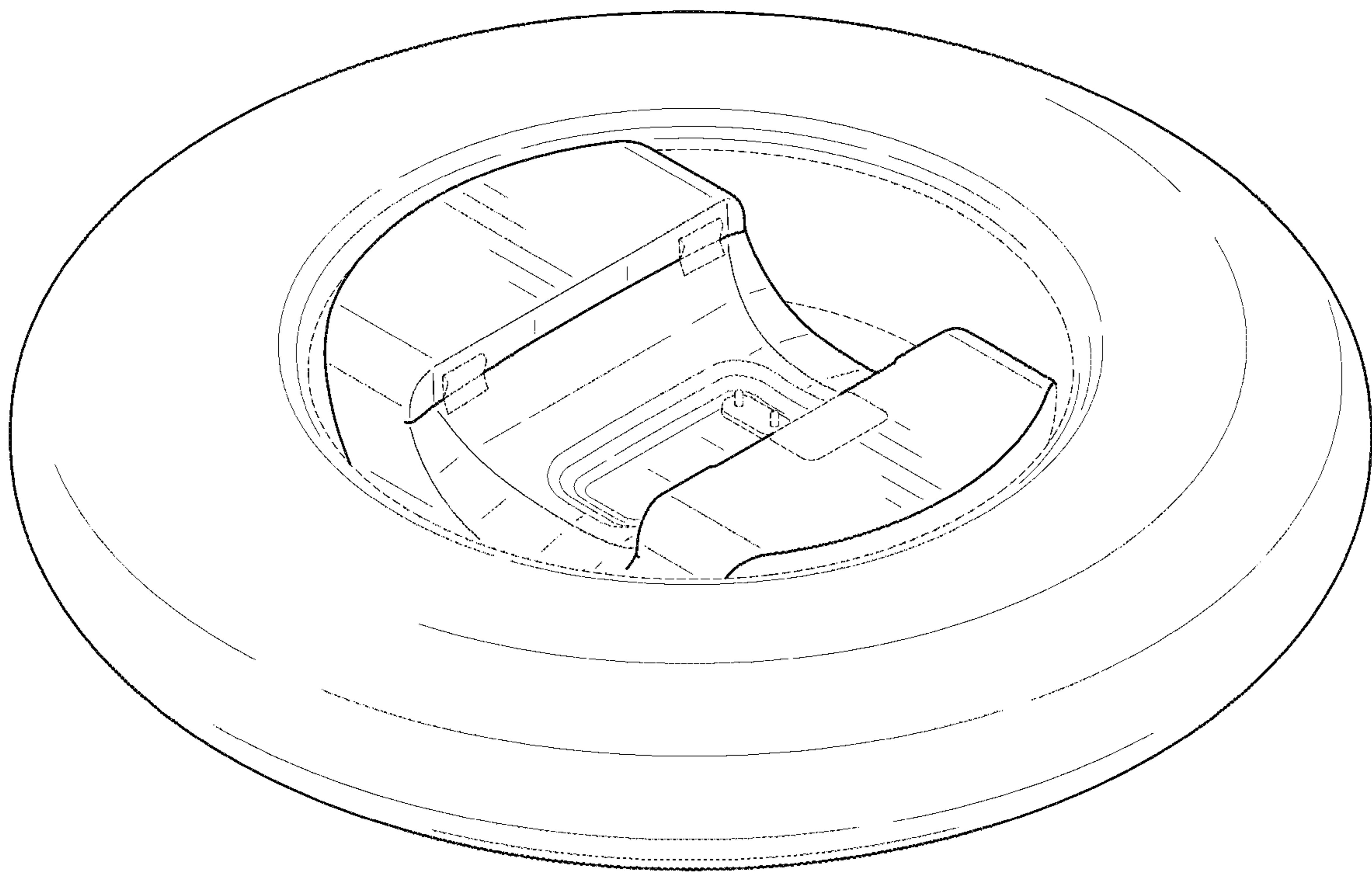


FIG. 1

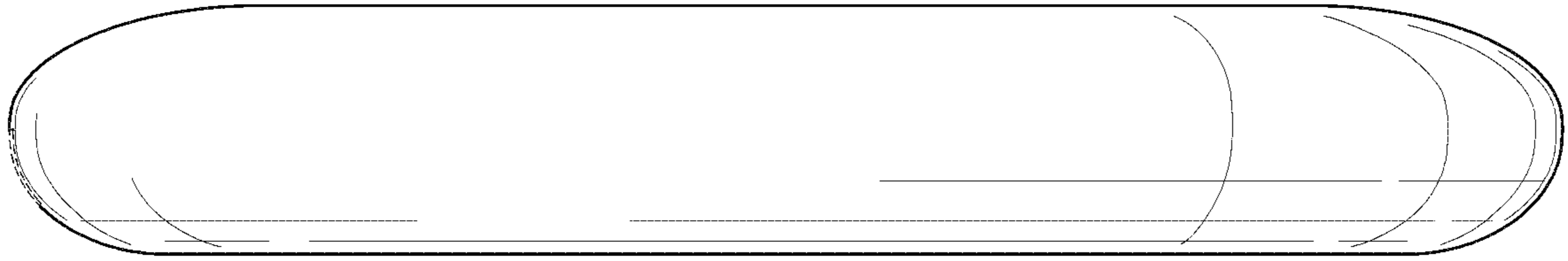


FIG. 2

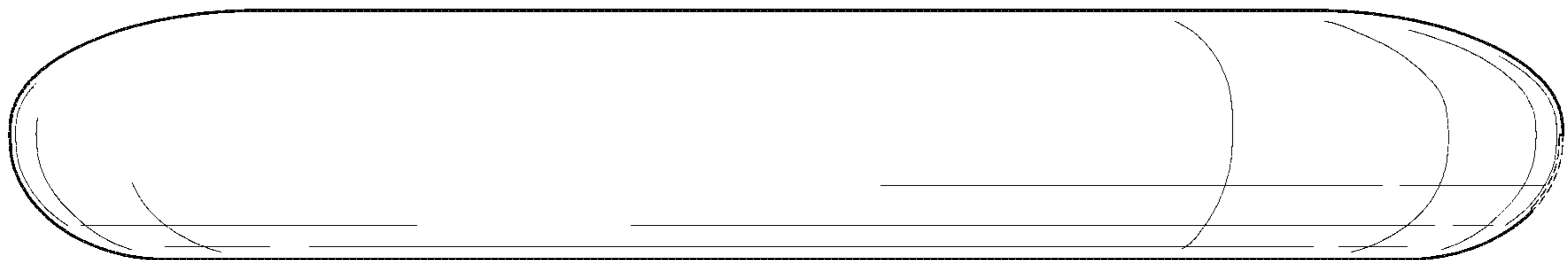


FIG. 3

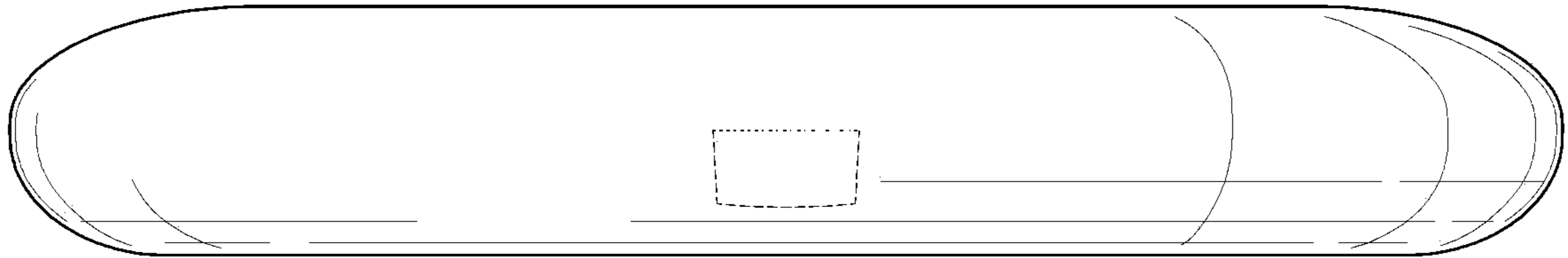


FIG. 4

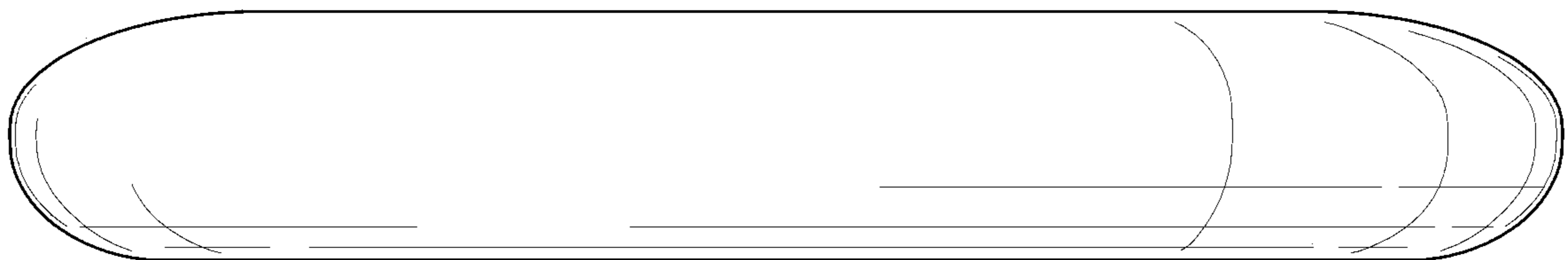


FIG. 5

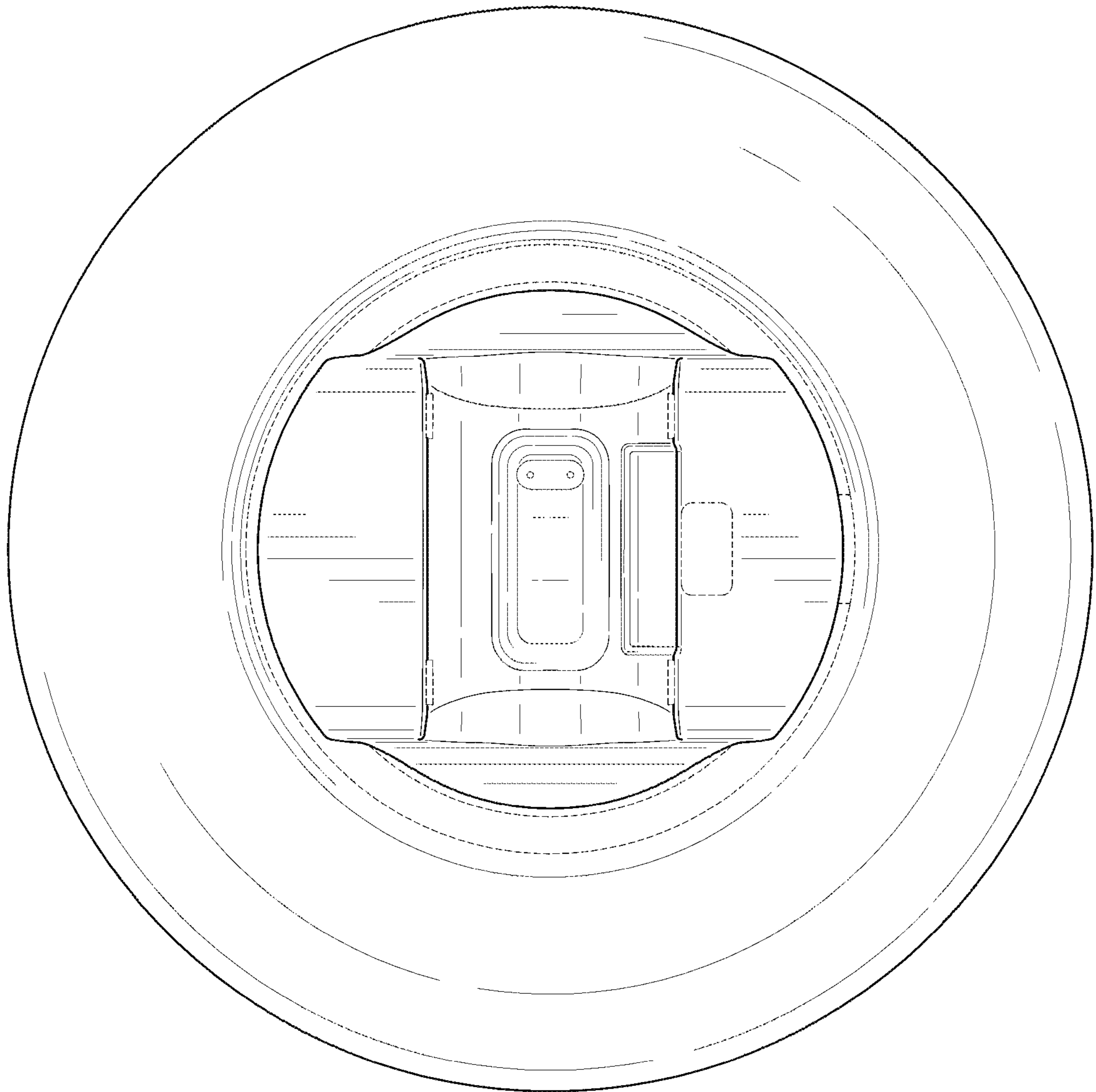


FIG. 6

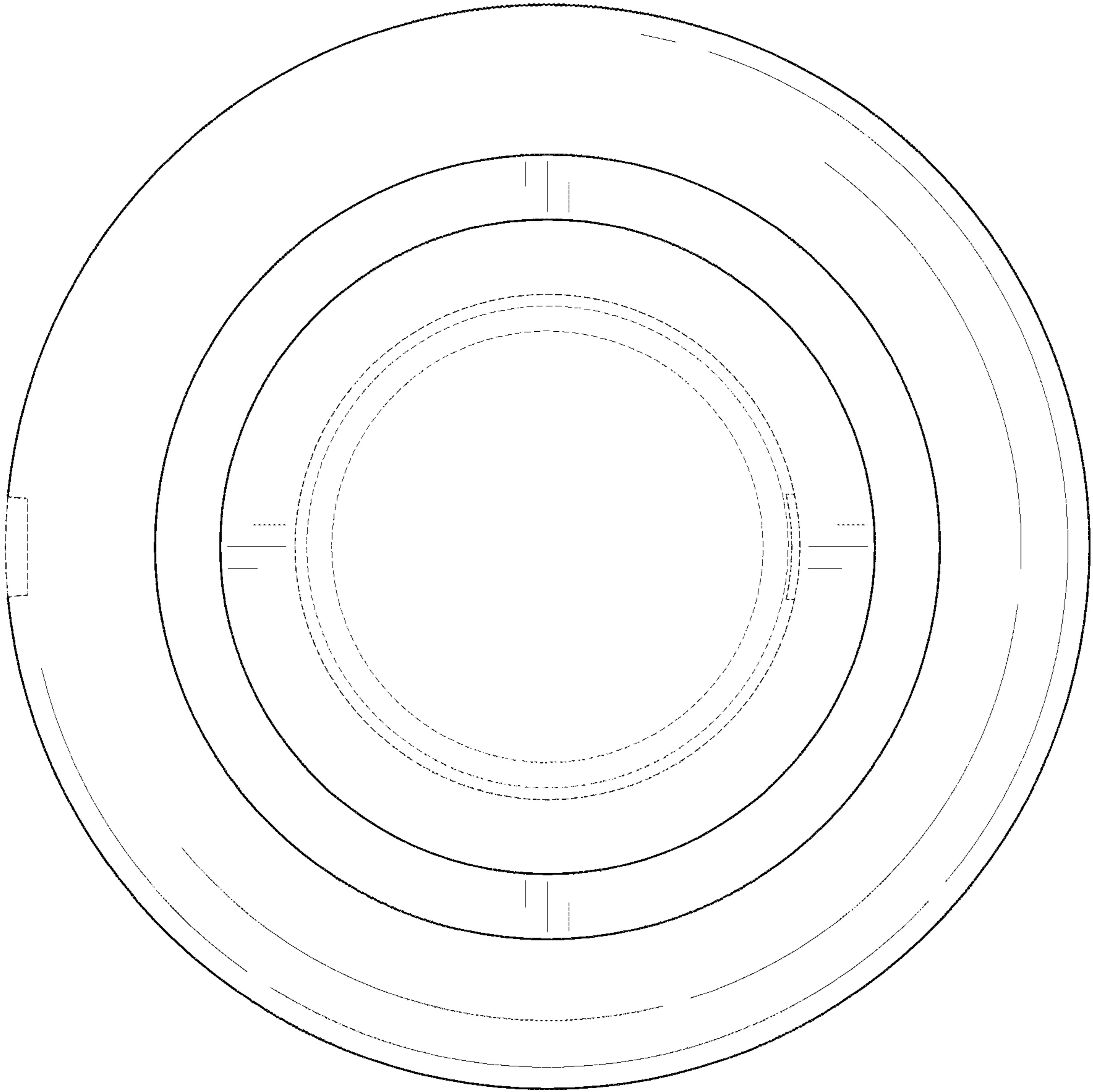


FIG. 7

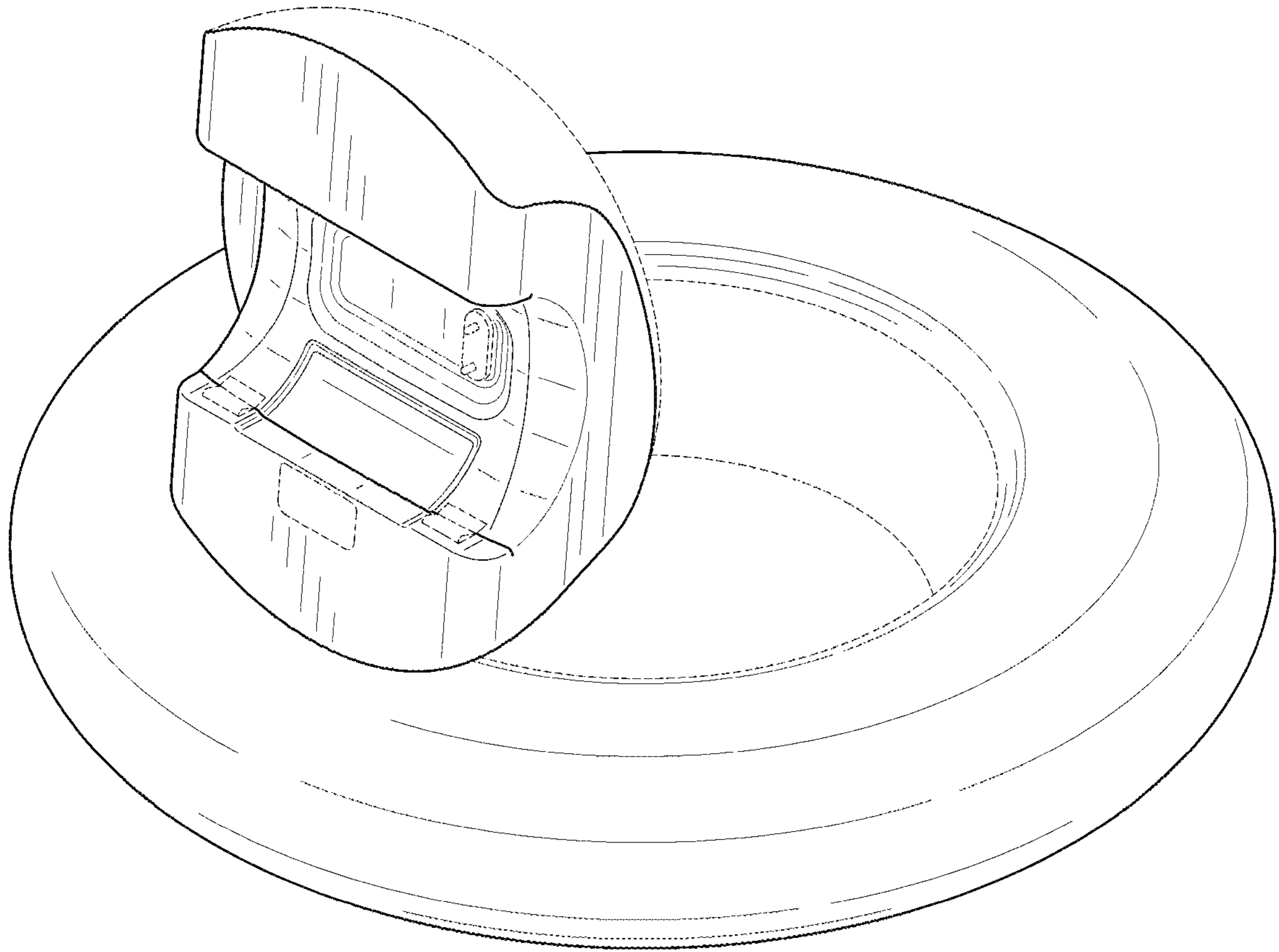


FIG. 8