



US00D893417S

(12) **United States Design Patent**
Wang et al.

(10) **Patent No.:** **US D893,417 S**

(45) **Date of Patent:** **** Aug. 18, 2020**

(54) **WIRELESS CHARGER**

(71) Applicant: **SHENZHEN RUI TEKE ELECTRONICS CO., LTD.**, Shenzhen (CN)

(72) Inventors: **Zhi-Yong Wang**, Shenzhen (CN);
Dong-Jiang Qin, Shenzhen (CN)

(73) Assignee: **SHENZHEN RUI TEKE ELECTRONICS CO., LTD.**, Shenzhen (CN)

(**) Term: **15 Years**

(21) Appl. No.: **29/676,028**

(22) Filed: **Jan. 8, 2019**

(51) **LOC (12) Cl.** **13-02**

(52) **U.S. Cl.**
USPC **D13/108**

(58) **Field of Classification Search**
USPC D13/107-110, 118-119, 184; D14/251, D14/253, 432, 434
CPC Y02E 60/12; Y02T 90/14; Y02T 90/122; Y02T 90/128; Y02T 90/163; H02J 7/025; H02J 7/0042; H02J 7/0044; H02J 7/0045; H02J 7/0013; H02J 7/0003; H01F 38/14; H01R 13/6675; H01M 2/1022; H01M 2/1055; H01M 10/44; H01M 10/46; H01M 10/425; B60L 11/182
See application file for complete search history.

(56) **References Cited**

U.S. PATENT DOCUMENTS

D386,690 S * 11/1997 Lewis D10/15
D557,206 S * 12/2007 Hussaini D13/103

D607,817 S * 1/2010 Tan D13/108
D636,105 S * 4/2011 Gielen D26/63
D660,227 S * 5/2012 Rodbro D13/107
D674,337 S * 1/2013 Au Yeung D13/108
D692,374 S * 10/2013 Choi D13/107
D697,477 S * 1/2014 Jonas, III D13/108
D701,857 S * 4/2014 Ding D14/253
D750,466 S * 3/2016 McCoy D8/353
D772,812 S * 11/2016 Choe D13/108
D828,184 S * 9/2018 Hu D10/26
2012/0139484 A1 * 6/2012 Gunderman H02J 50/80 320/108

* cited by examiner

Primary Examiner — Nathaniel D. Buckner
(74) *Attorney, Agent, or Firm* — ScienBiziP, P.C.

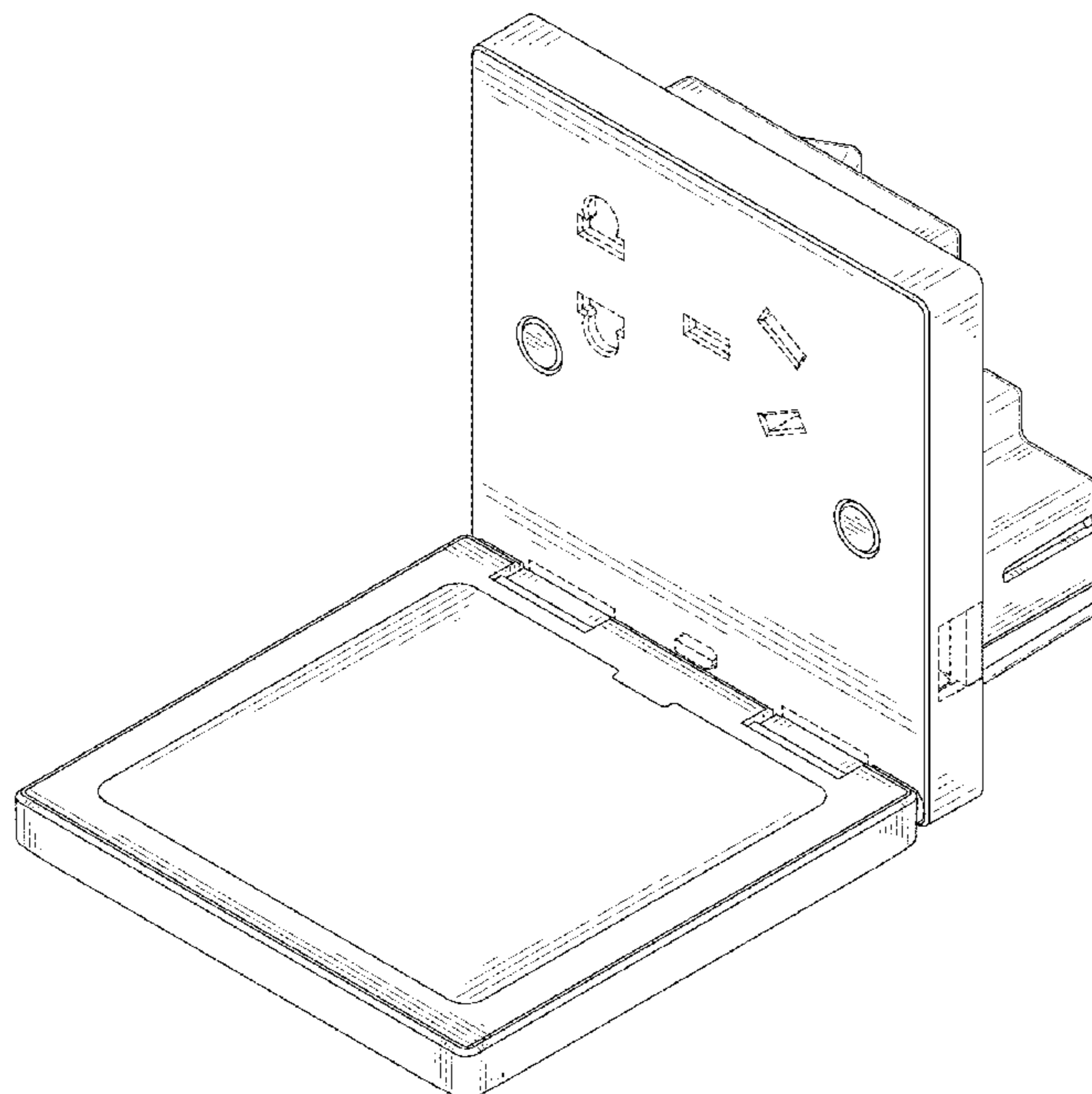
(57) **CLAIM**

The ornamental design for wireless charger, as shown and described.

DESCRIPTION

FIG. 1 is a first perspective view of wireless charger showing the claimed new design;
FIG. 2 is a second perspective view thereof;
FIG. 3 is a third perspective view thereof;
FIG. 4 is a front elevation view thereof;
FIG. 5 is a rear elevation view thereof.
FIG. 6 is a left side elevation view thereof;
FIG. 7 is a right side elevation view thereof;
FIG. 8 is a top plan view thereof;
FIG. 9 is a bottom plan view thereof; and,
FIG. 10 is a perspective view of the wireless charger in an environment in which it may be used.
The broken lines are for environmental structure, boundaries, or illustrative purposes only and form no part of the claimed designs to be patented.

1 Claim, 10 Drawing Sheets



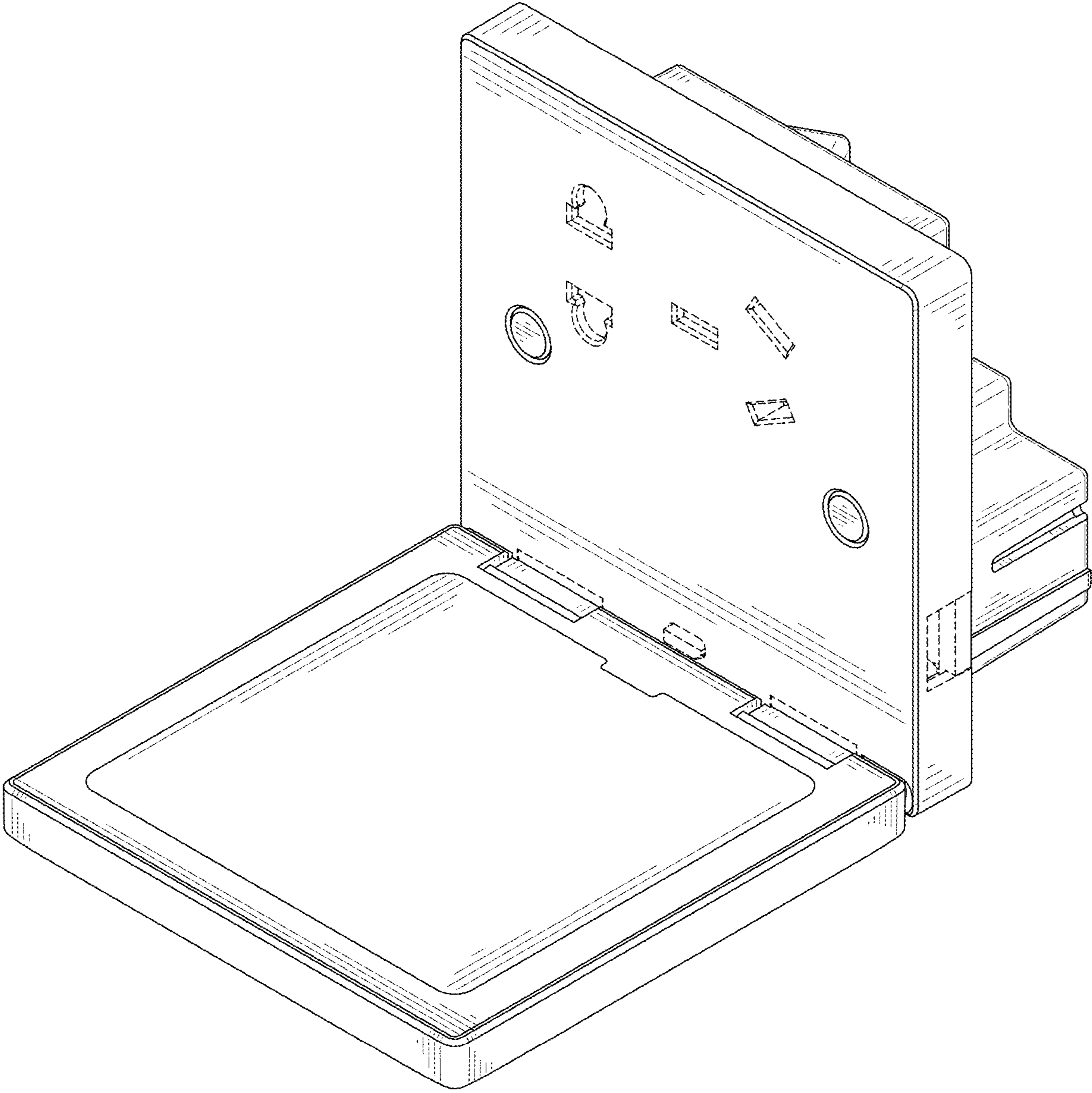


FIG. 1

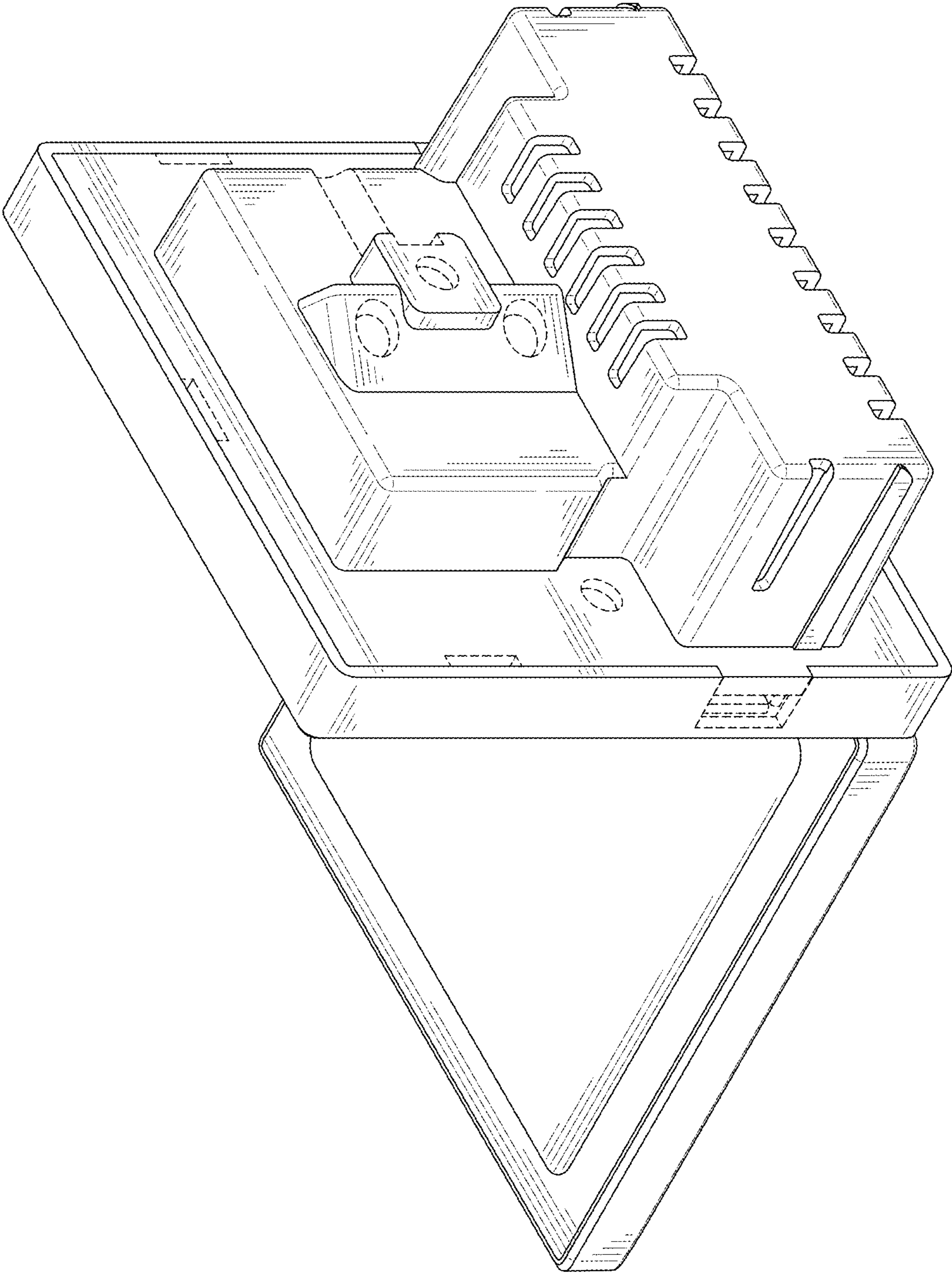


FIG. 2

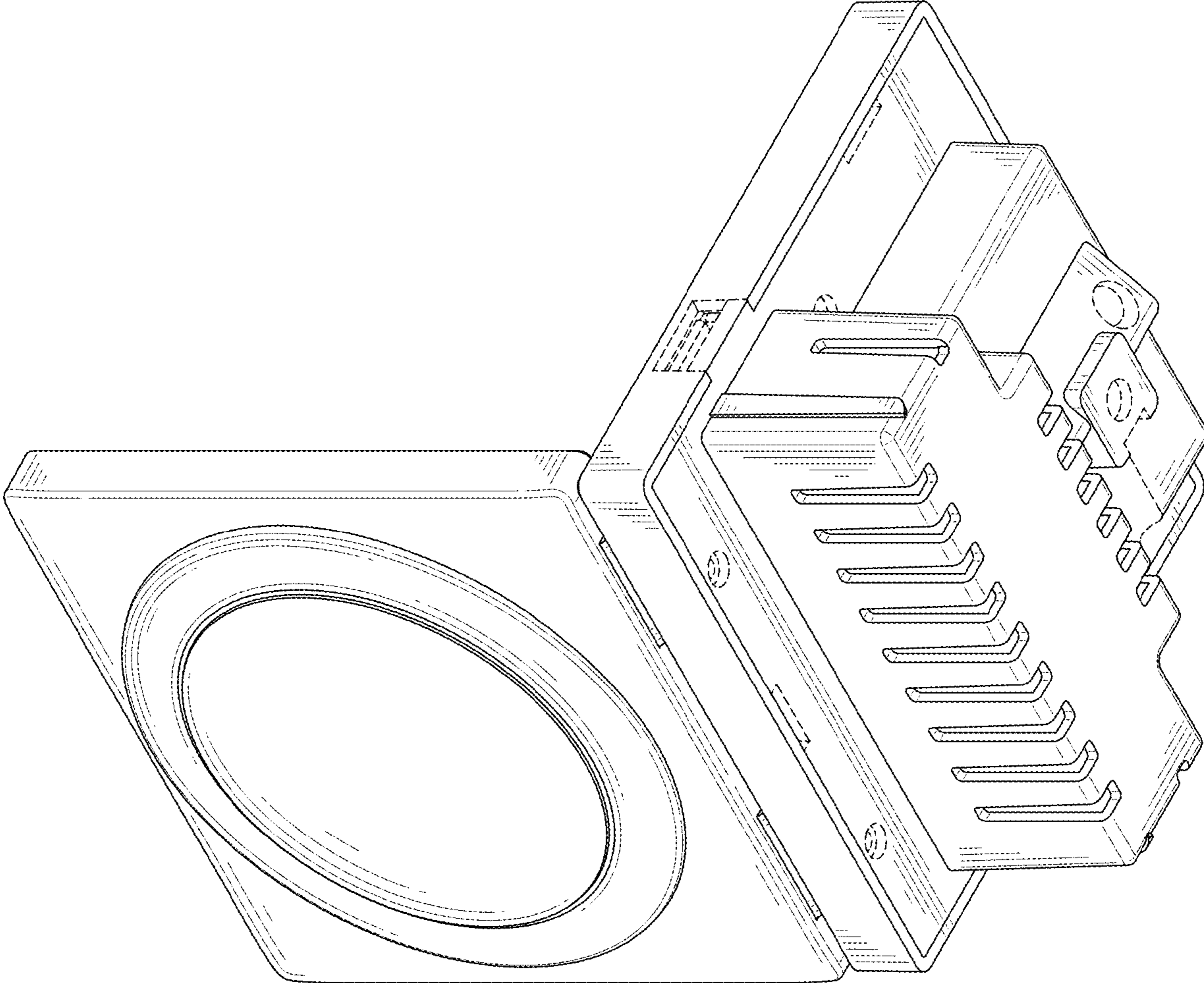


FIG. 3

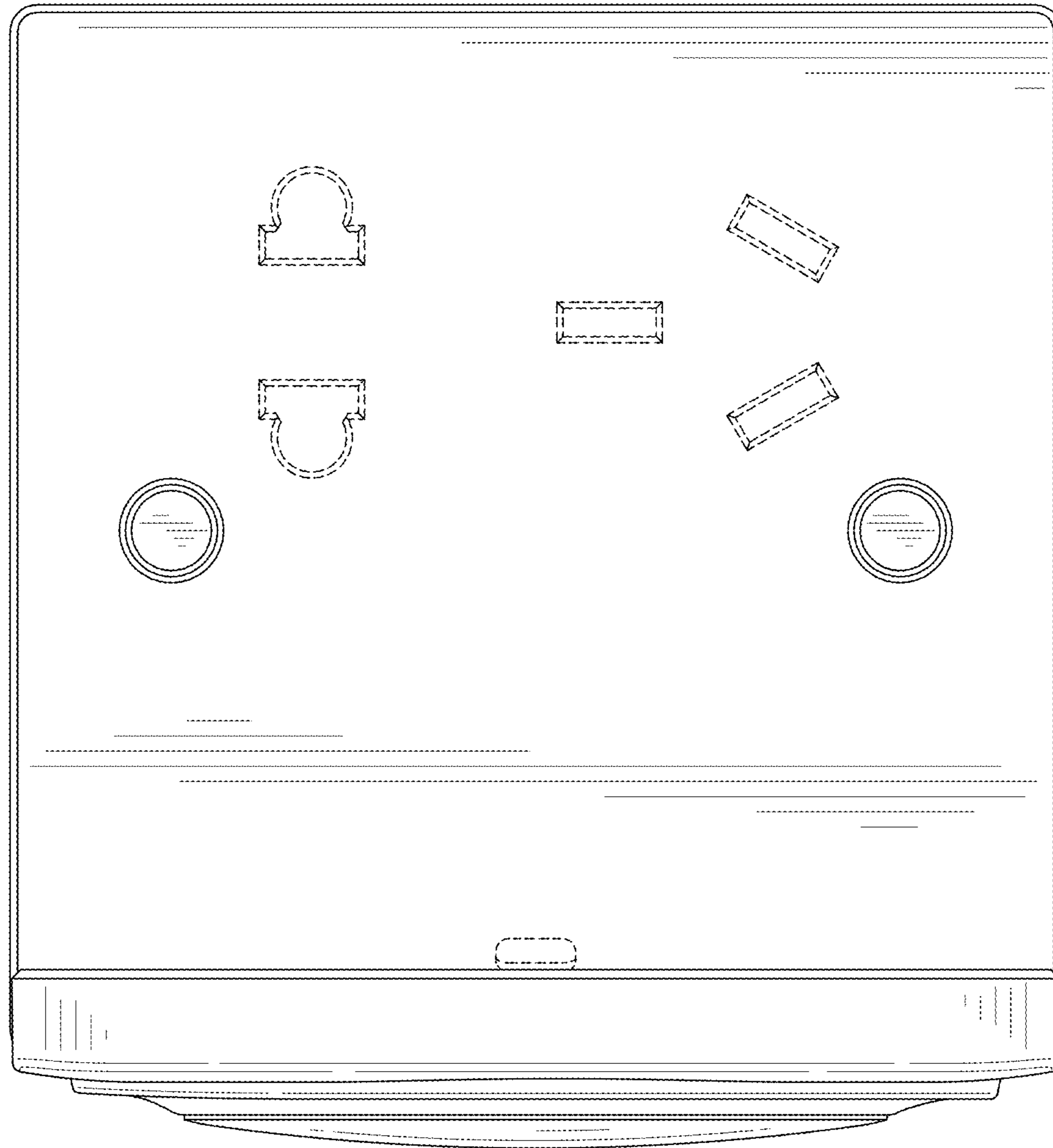


FIG. 4

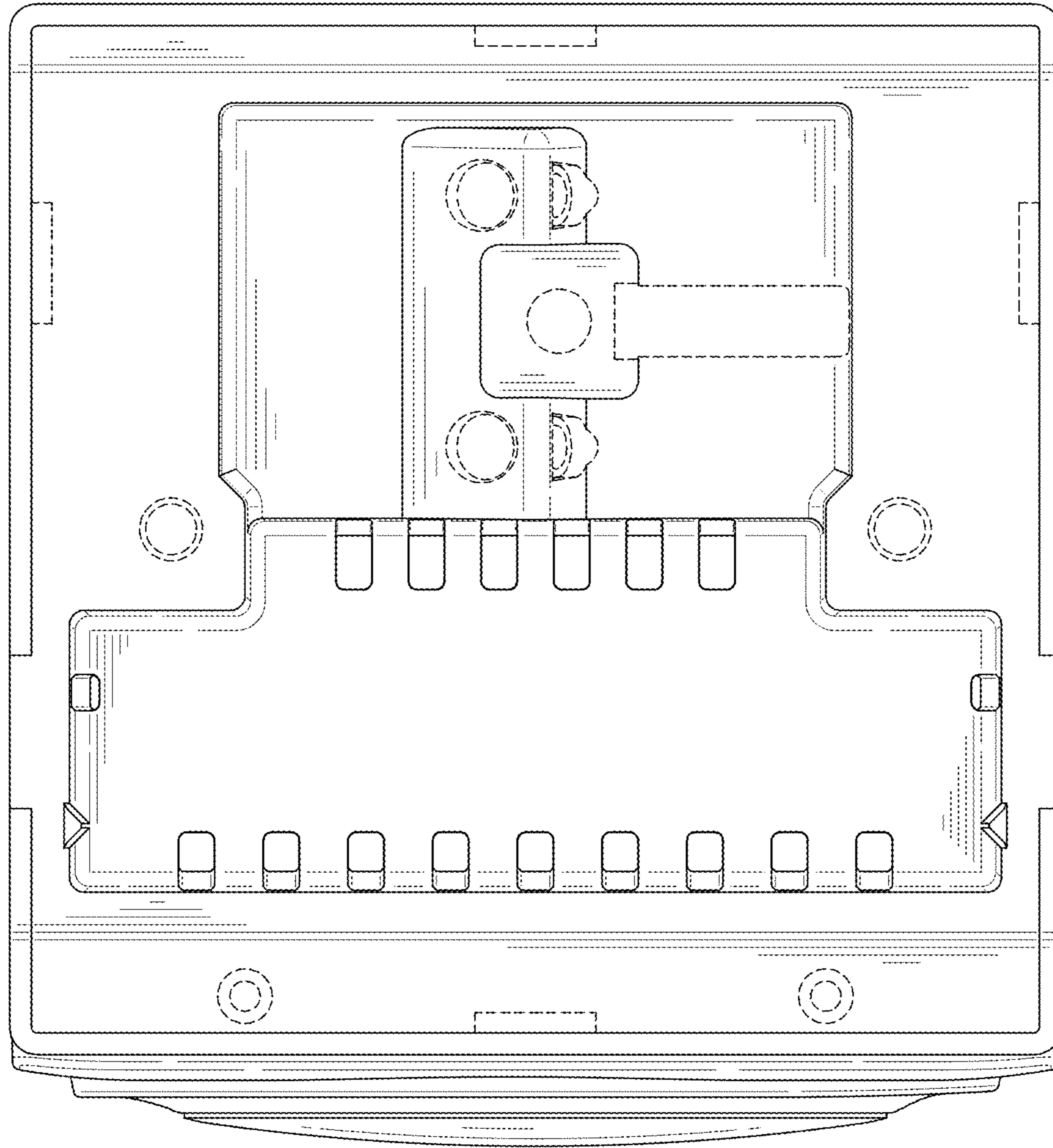


FIG. 5

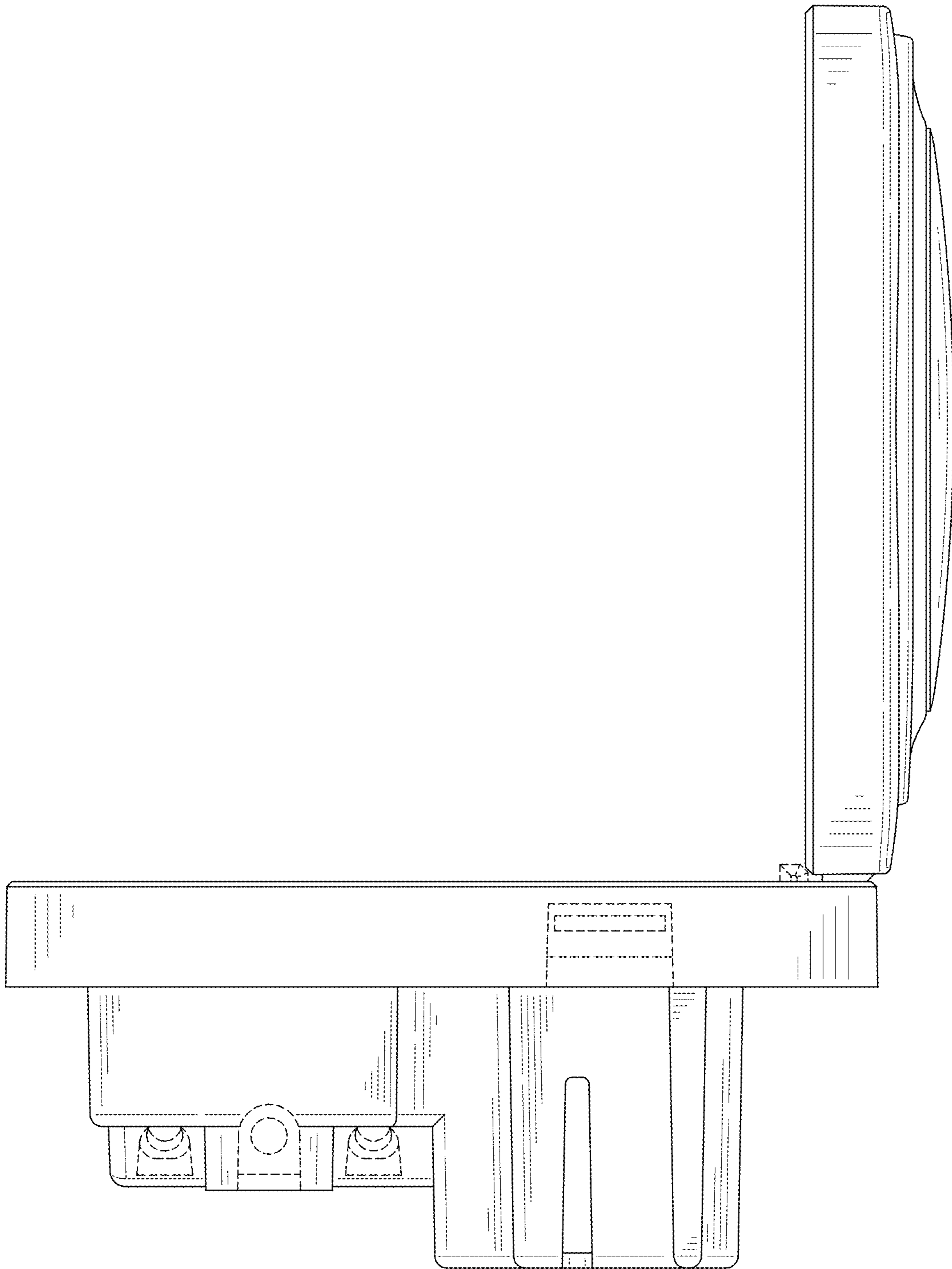


FIG. 6

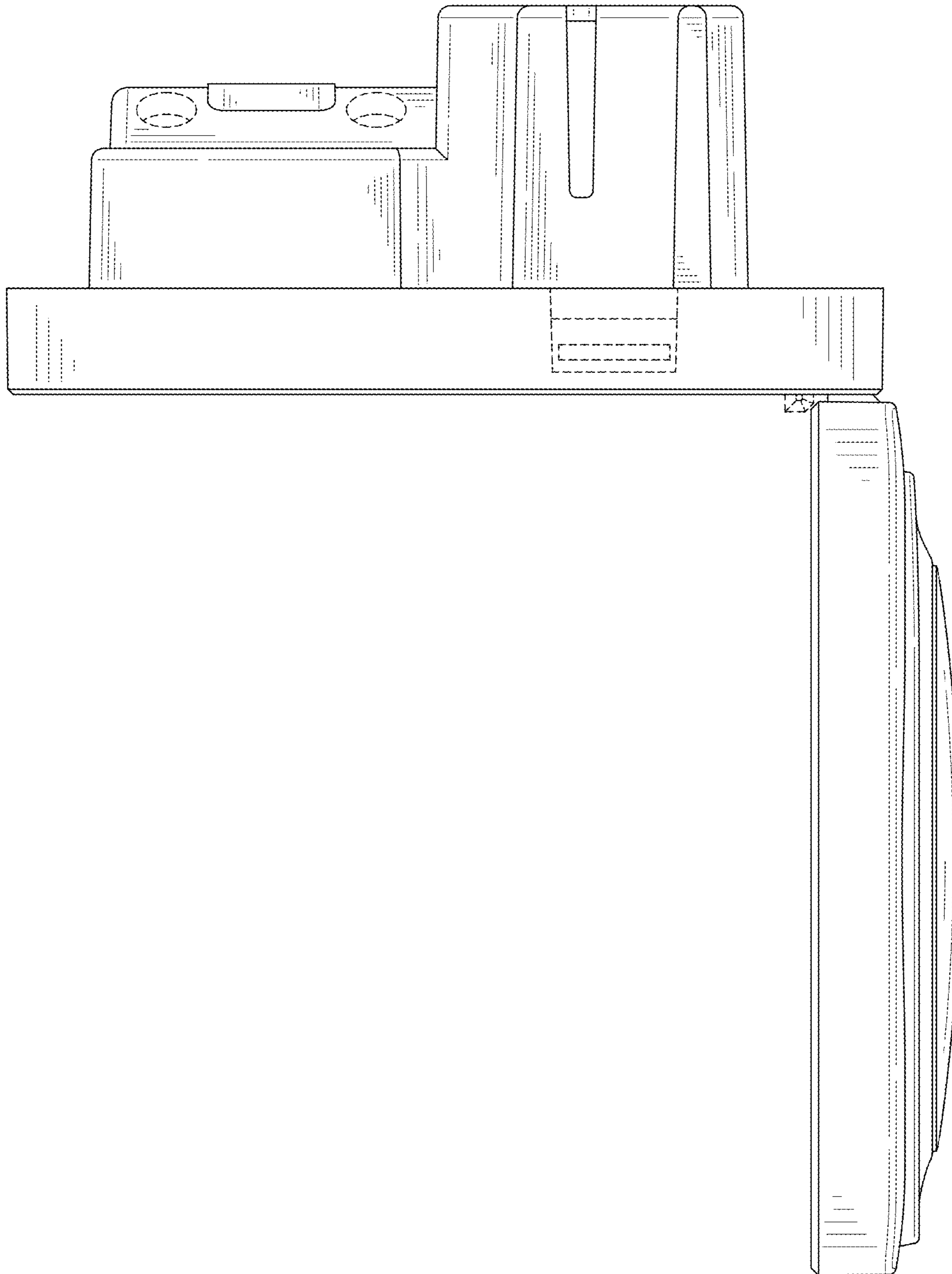


FIG. 7

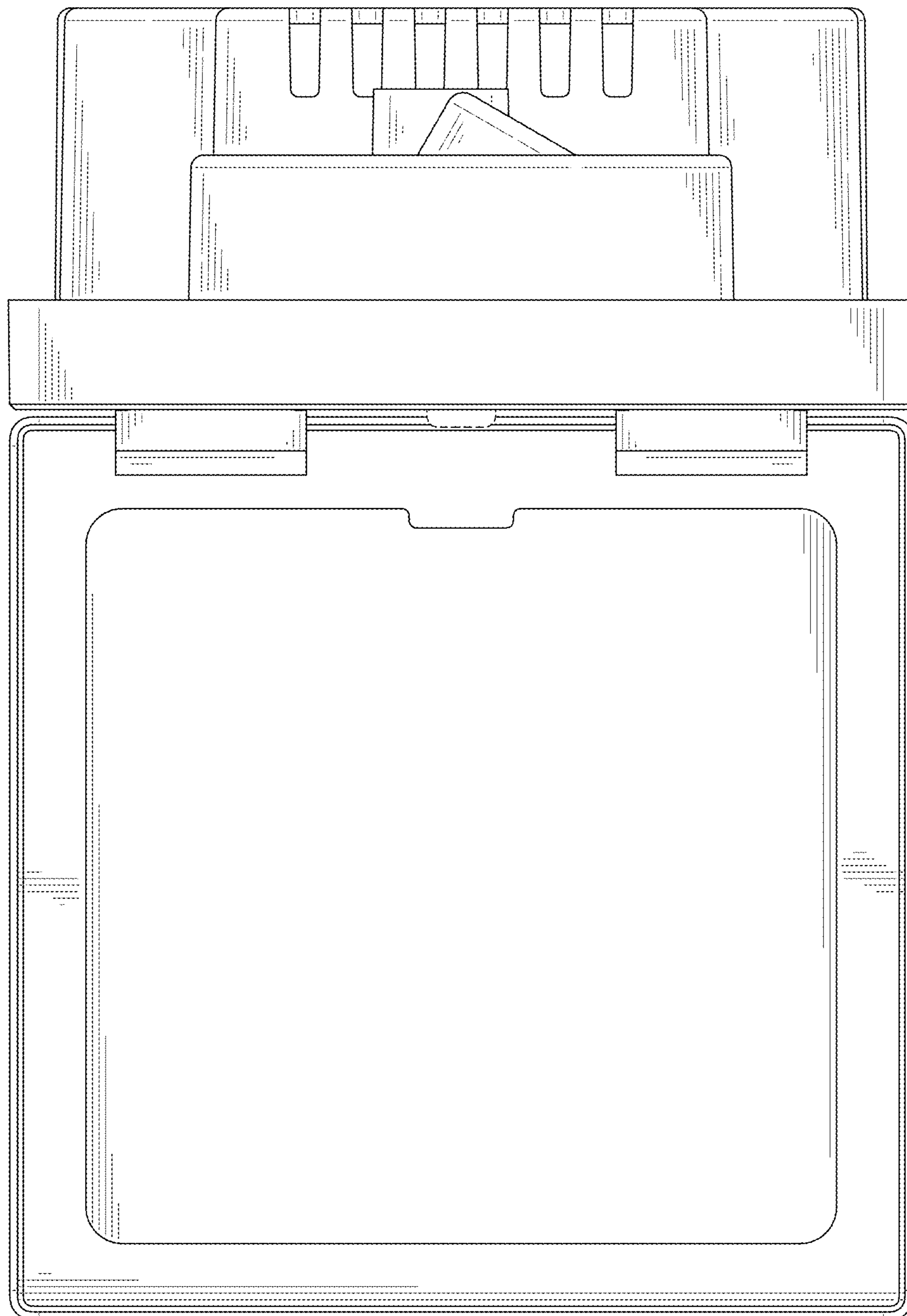


FIG. 8

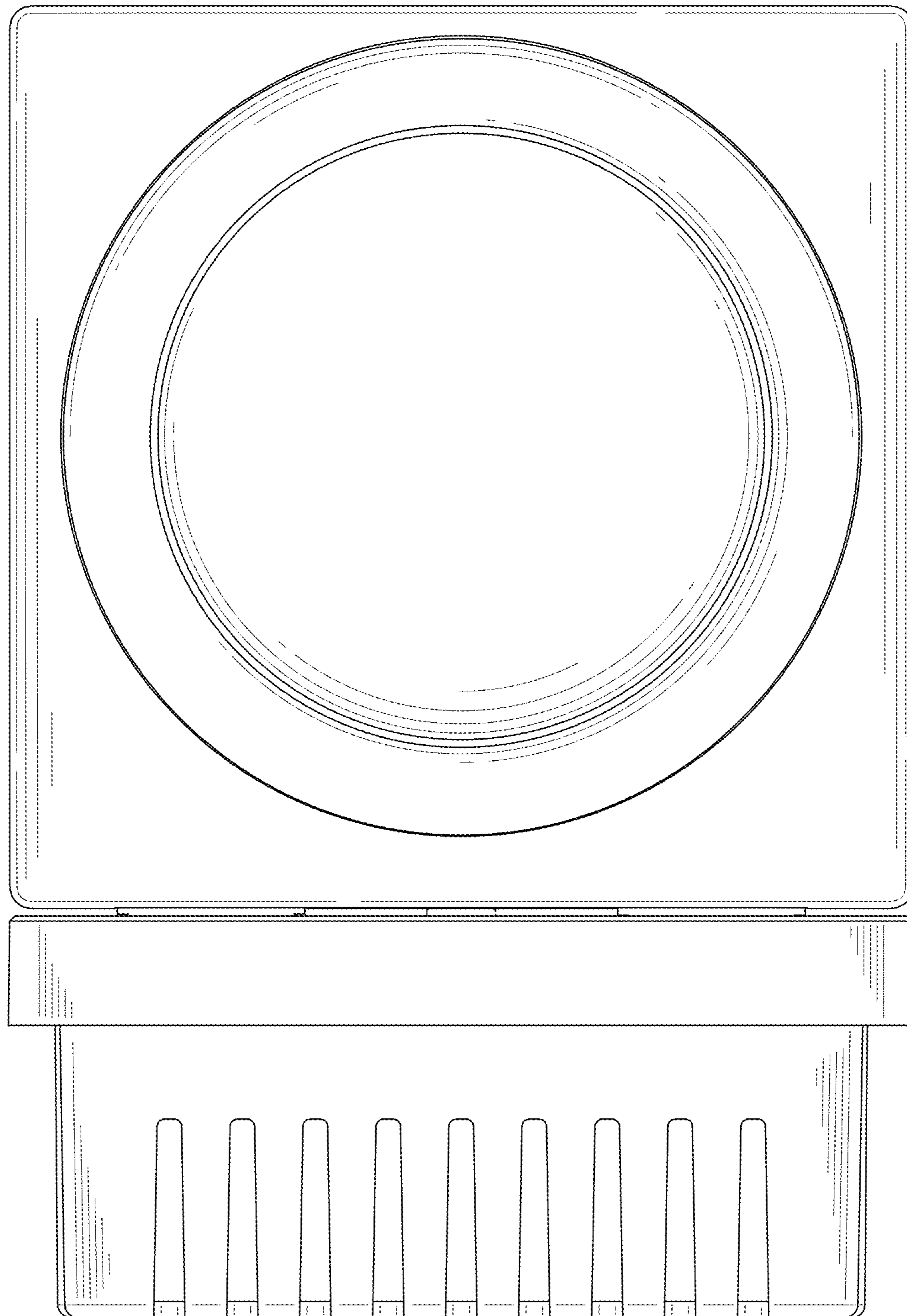


FIG. 9

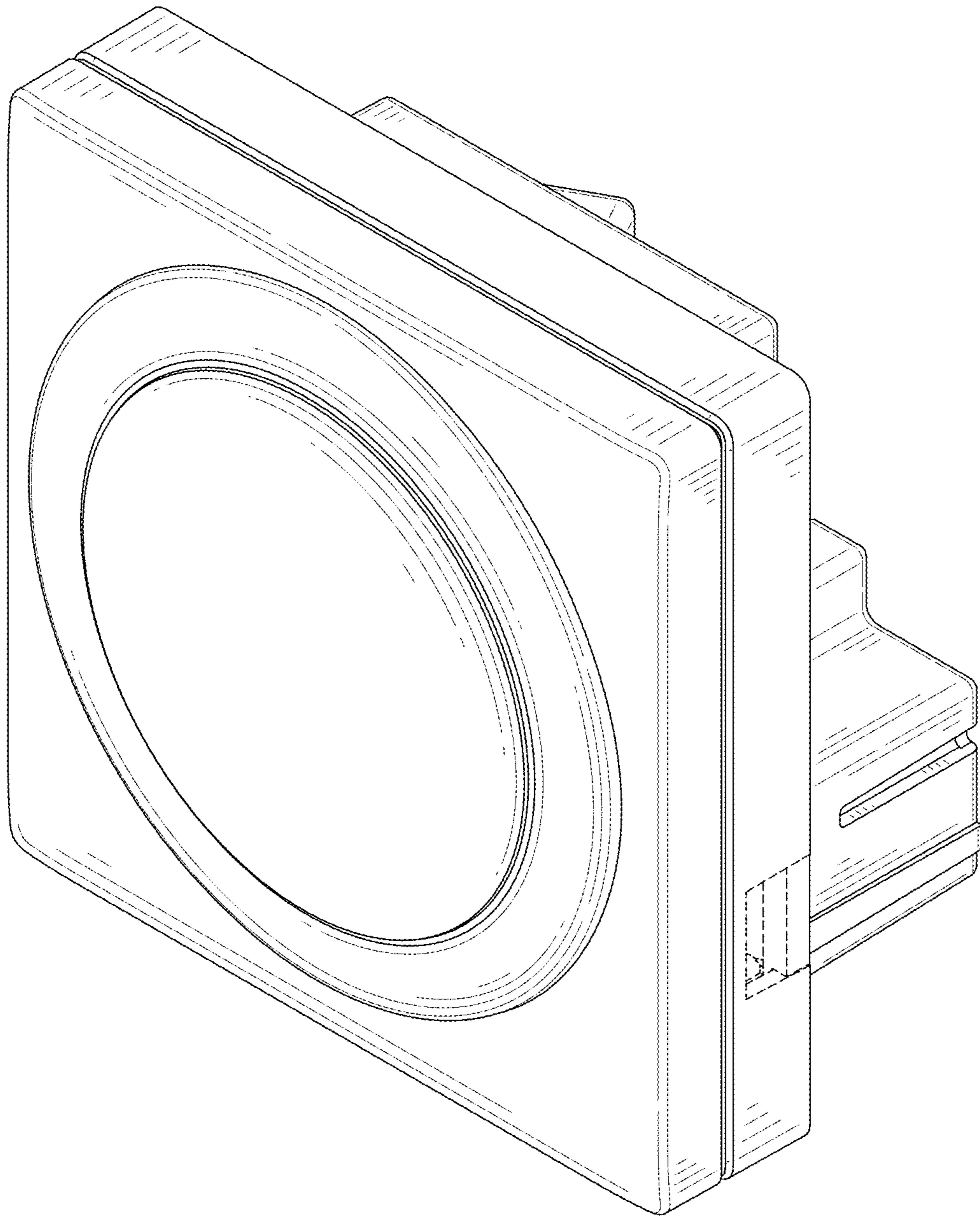


FIG. 10