



US00D893414S

(12) **United States Design Patent** (10) **Patent No.:** **US D893,414 S**
Mercer et al. (45) **Date of Patent:** **** Aug. 18, 2020**

(54) **CHARGING STATION**
(71) Applicant: **Volta Charging, LLC**, San Francisco, CA (US)
(72) Inventors: **Scott Mercer**, Pacifica, CA (US); **Alex Prodaniuk**, Pacifica, CA (US); **Kayla Matheus**, San Francisco, CA (US); **Christian Julio Santander**, Bad Reichenhall (DE); **Julian Schloemer**, Salzburg (AT); **Marco Wilhelm**, Salzburg (AT)
(73) Assignee: **Volta Charing, LLC**, San Francisco, CA (US)

D611,047 S 3/2010 Smith et al.
D613,683 S 4/2010 Baxter et al.
D618,168 S 6/2010 Baxter et al.
D618,204 S 6/2010 Andre et al.
D626,063 S 10/2010 Cutter et al.
D626,064 S 10/2010 Cutter et al.
D626,065 S 10/2010 Cutter et al.

(Continued)

OTHER PUBLICATIONS

LinkPHL Digital Kiosks. "Philly now has a free digital WiFi, charging, information kiosk on Market Street", Emily Rolen, Dec. 11, 2018 [retrieved Apr. 15, 2019]. <https://www.phillyvoice.com/philly-linkphl-kiosks-free-digital-wifi-market-street-septa/>.

(Continued)

(**) Term: **15 Years**

Primary Examiner — Rosemary K Tarcza

(21) Appl. No.: **29/691,015**

(74) *Attorney, Agent, or Firm* — Morgan, Lewis & Bockius LLP

(22) Filed: **May 13, 2019**

(51) **LOC (12) Cl.** **13-02**

(52) **U.S. Cl.**
USPC **D13/107**

(58) **Field of Classification Search**
USPC D13/107–108, 110, 118–119, 184;
D14/307

CPC B60L 11/185; B60L 11/1825; B60L 11/1809; B60L 53/10; B60L 53/12; B60L 53/14; B60L 53/31; Y02T 90/10; Y02T 90/12; Y02T 90/121; Y02T 90/122; Y02T 90/127; Y02T 90/14

See application file for complete search history.

(57) **CLAIM**

The ornamental design for a charging station, as shown and described.

DESCRIPTION

FIG. 1 is a front perspective view of the charging station showing our new design; FIG. 2 is a rear perspective view thereof; FIG. 3 is a front elevational view thereof; FIG. 4 is a rear elevational view thereof; FIG. 5 is a left-side elevational view thereof; FIG. 6 is a right-side elevational view thereof; FIG. 7 is a top plan view thereof; and, FIG. 8 is a bottom plan view thereof.

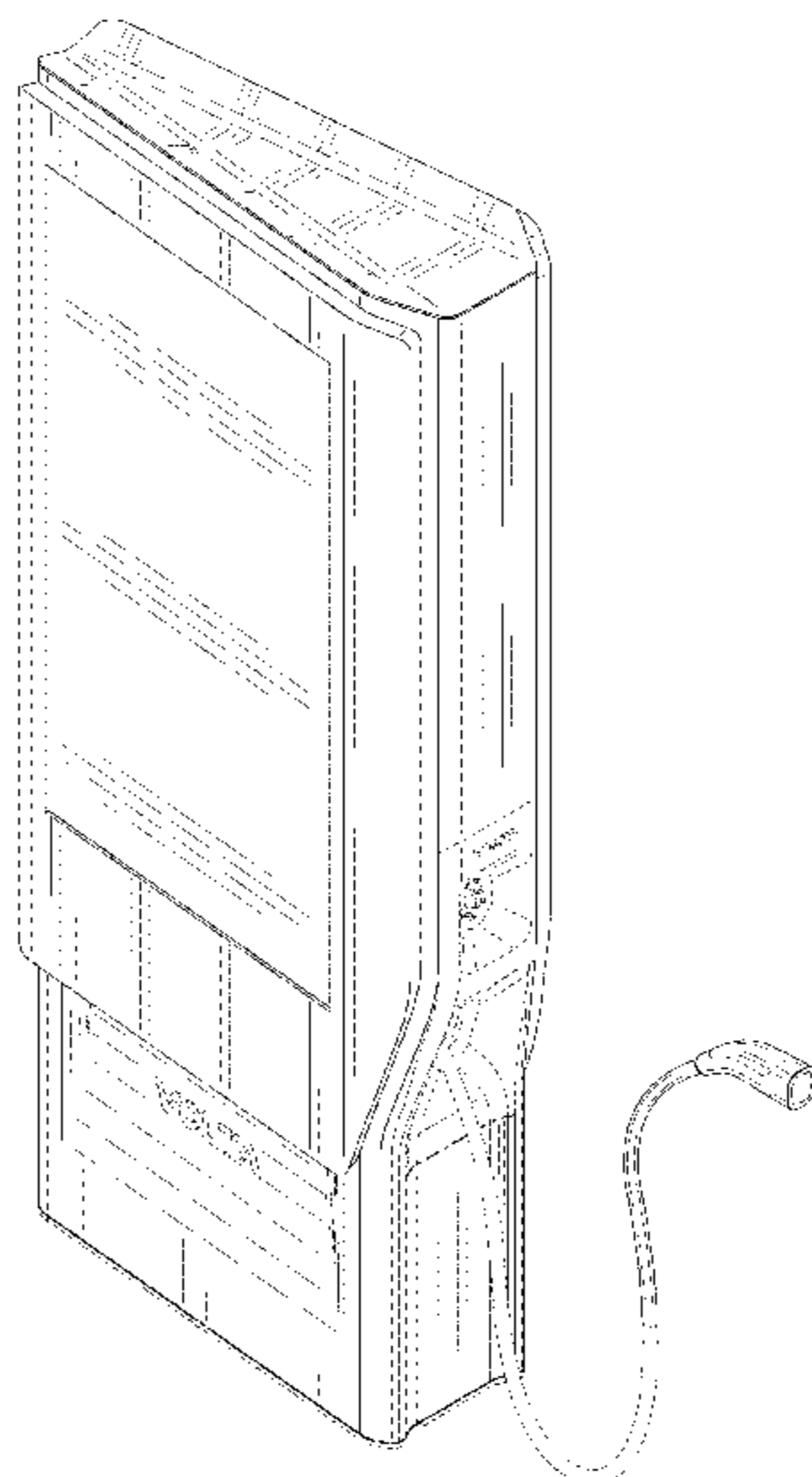
The evenly dashed broken lines are for the purpose of illustrating portions of the charging station that form no part of the claimed design. The dash-dot broken lines represent the boundaries of the claimed design, and form no part thereof.

(56) **References Cited**

U.S. PATENT DOCUMENTS

D273,580 S 4/1984 Riumbau
D459,234 S 6/2002 Bourque et al.
D507,813 S 7/2005 Gillard
D542,849 S 5/2007 Hill et al.
D608,733 S 1/2010 Smith
D608,734 S 1/2010 Smith

1 Claim, 6 Drawing Sheets



(56)

References Cited

U.S. PATENT DOCUMENTS

D633,908 S 3/2011 Arkana et al.
 D637,553 S 5/2011 Shin
 D637,595 S * 5/2011 Mizusugi D14/303
 D639,800 S 6/2011 Magruder
 D644,218 S 8/2011 Arkana et al.
 D646,269 S * 10/2011 Crick, Jr. D14/307
 D647,053 S 10/2011 Gotou et al.
 D654,430 S 2/2012 Demers et al.
 D654,857 S 2/2012 Salazar et al.
 D654,858 S 2/2012 Salazar et al.
 D654,860 S 2/2012 Holthusen
 D654,861 S 2/2012 Holthusen
 D659,635 S 5/2012 Hou et al.
 D664,086 S 7/2012 Chin-Ho Kim et al.
 D664,087 S 7/2012 Chin-Ho Kim et al.
 D664,089 S 7/2012 Chin-Ho Kim et al.
 D669,071 S 10/2012 Akana et al.
 D674,334 S * 1/2013 Cutter D13/107
 D691,208 S 10/2013 Gorelick
 D696,658 S 12/2013 Winston et al.
 D708,572 S 7/2014 Hou et al.
 D708,573 S * 7/2014 Gieniec D13/107
 D708,574 S 7/2014 Gieniec et al.
 D712,349 S 9/2014 Ahlgren
 D720,285 S 12/2014 Gilomen
 D729,158 S * 5/2015 Gilomen D13/107
 D733,647 S * 7/2015 Farrell D13/107
 D749,503 S 2/2016 Ferguson et al.
 D771,562 S 11/2016 Dolle
 D776,651 S * 1/2017 Yates D14/307
 D778,818 S * 2/2017 Bruining D13/107
 D783,596 S 4/2017 Payne et al.
 D788,098 S 5/2017 Thornton et al.
 D790,457 S * 6/2017 Vargas D13/108
 D816,077 S * 4/2018 Benic D14/307
 D830,969 S * 10/2018 Wang D13/107
 D833,387 S * 11/2018 Baxter D13/107
 D838,668 S * 1/2019 Westfall D13/107
 D844,559 S 4/2019 Mercer et al.
 D850,438 S * 6/2019 Koenigsknecht D14/307
 D858,435 S 9/2019 Helnerus et al.
 D858,512 S 9/2019 Angelopoulos et al.
 D868,687 S * 12/2019 da Silva D13/107
 2010/0296234 A1 * 11/2010 Crick, Jr. G09F 27/00
 361/679.21
 2011/0145141 A1 * 6/2011 Blain B60L 3/0069
 705/39
 2012/0181984 A1 * 7/2012 Okabayashi B60L 11/1825
 320/109
 2012/0262112 A1 10/2012 Ross
 2013/0069588 A1 * 3/2013 Oda B60L 11/1825
 320/109
 2013/0207606 A1 * 8/2013 Ranga B60L 53/31
 320/109

OTHER PUBLICATIONS

Parsons, Sarah. "France Announces \$2.2 Billion Electric Car Charging Network." [retrieved on Dec. 28, 2012]. Retrieved from the Internet: <www.google.com/imgres?q=electric+vehicle-Fcharging+stations&num=10&um=1&hl=en&tbo=d&biw=1440&bih=783&tbm=isch&tbnid=QfP2cslOfm0K2MAimgrefurl=http://inhabitat.com/massachusetts-set-to-install-100-ev-charging-stations/&docid=NKQtedu9SWSKBM&imgurl=http://assets.inhabitat.com/wp-content/uploads/>.
 Bloomfield, Nikki Gordon. "Need An Electric Car Charging Station At Work? Here's One For Free." [retrieved Nov. 7, 2012]. Retrieved from the Internet: <www.google.com/imgres?q=electric+vehicle-Fcharging+stations&start=22&num=10&um=1&hl=en&tbo=d&biw=1440&bih=783&tbm=isch&tbnid=njkABlvYoMe0IM:&imgrefurl=http://www.greencarreports.com/news/1079118_need-an-electric-car-charging-station-at-work-heres-one-for-free&docid=7ywn-

IMbSk0AgM&imgurl=http://images.thecarconnection.com/smUchargepoint_100182292_s_n>.
 "Smart Grids, Fast Charging—Infrastructure for Electric Car." [retrieved on Nov. 7, 2012]. Retrieved from the Internet: <www.google.com/imgres?q=electric+vehicle+charging+stations&start=20&num=10&um=1&hl=en&tbo=d&biw=1440&bih=783&tbm=isch&tbnid=f4piNYxrLOy80M:&imgrefurl=http://www.impactlab.net/2008/07/28/smart-grids-fast-charging-infrastructure-for-electric-cars/&docid=3pBfeFHp7Jg9mM&imgurl=http://www.impactlab.com/wp-content/uploads/2008/07/charging-station-london>.
 "EV News: first hotel to install electric car charging station for guests." [retrieved on Nov. 7, 2012]. Retrieved from the Internet: <www.google.com/imgres?q=electric+vehicle+charging+stations&start=307&num=10&um=1&hl=en&tbo=d&biw=1440&bih=783&tbm=isch&tbnid=78HBWHajq0_ydM:&imgrefurl=http://www.examiner.com/article/ev-news-first-hotel-to-install-electric-car-charging-station-for-guests&docid=Hv6RWgv08bpOOM&imgurl=http://www.examiner.com/images/blog/wysiwyg/image/>.
 "EV Charging Station, Volta—Honolulu, Hawaii." [retrieved on Dec. 30, 2012]. Retrieved from the Internet: <www.google.com/imgres?q=electric+vehicle-Fcharging+stations&start=307&num=10&um=1&hl=en&tbo=d&biw=1440&bih=783&tbm=isch&tbnid=78HBWHajq0_ydM:&imgrefurl=http://www.examiner.com/article/ev-news-first-hotel-to-install-electric-car-charging-station-for-guests&docid=Hv6RWgv08bpOOM&imgurl=http://www.examiner.com/images/blog/wysiwyg/image/>.
 Buffalo Niagara Medical Campus. "Electric Vehicle Charging Stations Installed Across Campus." [retrieved on Dec. 30, 2012]. Retrieved from the Internet: <www.google.com/imgres?q=electric+vehicle-Fcharging+stations&start=554&um=1&hl=en&tbo=d&biw=1440&bih=783&tbm=isch&tbnid=5QoChyg4wMwOeM:&imgrefurl=http://www.bnmc.org/electric-vehicle-charging-stations-installed-across-campus/&docid=V1NctdKztXxtKM&imgurl=http://www.bnmc.org/wp-content/uploads/charging-stations>.
 "Electric-Vehicle Charging Stations Available at ACC Campuses." [retrieved Dec. 30, 2012]. Retrieved from the Internet: <www.google.com/imgres?q=electnc+vehicle+charging+stafions&start=738&um=1&hl=en&tbo=d&biw=1440&bih=783&tbm=isch&tbnid=BCVZxvxp_xJfmM:&imgrefurl=http://Mnsideacc.ausfincc.edu/index.php/2012/01/13/electric-vehicle-stafions-available-at-acc-campuses/&docid=WIRnei31J_vhM&imgurl=http://insideacc.austincc.edu/wp-content/uploads/HBC-Charging-Station>.
 Stewart, Douglas. "On the Same Day . . . Doe Ramps up Electric Vehicle Information; Costco removes EV chargers "No one uses" them." [retrieved on Nov. 7, 2012]. Retrieved from the Internet: <www.google.com/imgres?q=electric+vehicle+charging+stations&num=10&um=1&hl=en&tbo=d&biw=1440&bih=783&tbm=isch&tbnid=fy1RBJOdZLIWDM:&imgrefurl=http://ameristroika.wordpress.com/2011/08/30/on-the-same-day-doe-ramps-up-electric-vehicle-information-costco-removes-ev-chargers-no-one-uses-them/&docid=z4L5TL-rLf6I2M&imgurl=http://ameristroika.files.wordpress.com/2011/08/ev-recharging-station1>.
 Parsons, Sarah. "France Announces \$2.2 Billion Electric Car Charging Network." [retrieved on Dec. 28, 2012]. Retrieved from the Internet: <www.google.com/imgres?q=electric+vehicle-Fcharging+stations&num=10&um=1&hl=en&tbo=d&biw=1440&bih=783&tbm=isch&tbnid=QfP2cslOfm0K2MAimgrefurl=http://inhabitat.com/massachusetts-set-to-install-100-ev-charging-stations/&docid=NKQtedu9SWSKBM&imgurl=http://assets.inhabitat.com/wp-content/uploads/>.
 Smartlet Coulomb Charging Station. [retrieved Nov. 7, 2012]. Retrieved from the Internet: <www.google.com/imgres?q=electnc+vehicle+charging+stations&num=10&um=1&hl=en&tbo=d&biw=1440&bih=783&tbm=isch&tbnid=RKicGBKiRP2P7M:&imgrefurl=http://news.cnet.com/8301-11128_3-10167445-54.html&docid=CWP1h-N1014k3M&imgurl=http://news.cnet.com/i/bto/20090219/smartlet_Coulomb_charging_station-cityhall_270x407.jpg&w=270&h=407&ei=DmWZUK6hMPOIOAGzx4DQBg&zoom=1&iact=hc&vpx=4&vpy=225&dur=5367&hovh=276&In>.
 Bloomfield, Nikki Gordon. "Need an Electric Car Charging Station At Work? Here's One for Free." [retrieved Nov. 7, 2012]. Retrieved from the Internet: <www.google.com/imgres?q=electric+vehicle-Fcharging+stations&start=22&num=10&um=1&hl=en&tbo=d&biw=

(56)

References Cited

OTHER PUBLICATIONS

1440&bih=783&tbm=isch&tbnid=njkABlvYoMe0IM:&imgrefurl=http://www.greencarreports.com/news/1079118_need-an-electric-car-charging-station-at-work-heres-one-for-free&docid=7ywn-IMbSk0AgM&imgurl=http://images.thecarconnection.com/smUchargepoint_100182292_s_n>.

“Top 20 electric vehicle charging station companies.” [retrieved Nov. 7, 2012]. Retrieved from the Internet: <www.google.com/imgres?q=electnc+vehicle+charging+stations&start=22&num=10&um=1&hl=en&tbo=d&biw=1440&bih=783&tbm=isch&tbnid=Xkyb5eDD_qzaxM:&imgrefurl=http://www.evcarco.com/evcarco/2012/01/27/ev-industry-charing-station-trends-united-states/&docid=kQyau38F05amJM&imgurl=http://www.evcarco.com/evcarco/wp-content/uploads/2012/01/EV-Charg ing-Station-fast>.

“Singapore: Robert Bosch appointed to set up EV charging station infrascuture.” [retrieved on Dec. 30, 2012]. Retrieved from the Internet: <www.google.com/imgres?q=electric+vehicle-Fcharging+stations&start=59&num=10&um=1&hl=en&tbo=d&biw=1440&bih=783&tbm=isch&tbnid=zbLiKh-Op7OWnM:&imgrefurl=http://theenergycollective.com/sklowem/44983/singapore-robert-bosch-appointed-set-ev-charging-station-infrastructure&docid=LNEAMWlerfHiDM&imgurl=http://lh5.ggpht.com/LBgmD4fIGMVC/TK_7eL5IPW1/AAAAAAAAAEeb>.

“EV News: first hotel to install electric car charging station for guests.” [retrieved on Nov. 7, 2012]. Retrieved from the Internet: <www.google.com/imgres?q=electric+vehicle+charging+stations&start=307&num=10&um=1&hl=en&tbo=d&biw=1440&bih=783&tbm=isch&tbnid=78HBWHajq0_ydM:&imgrefurl=http://www.examiner.com/article/ev-news-first-hotel-to-install-electric-car-charging-station-for-guests&docid=Hy6RWgv08bpOOM&imgurl=http://www.examiner.com/images/blog/wysiwyg/image/>.

“EV Charging Station, Volta—Honolulu, Hawaii.” [retrieved on Dec. 30, 2012]. Retrieved from the Internet: <www.google.com/imgres?q=electric+vehicle-Fcharging+stations&start=307&num=10&um=1&hl=en&tbo=d&biw=1440&bih=783&tbm=isch&tbnid=78HBWHajq0_ydM:&imgrefurl=http://www.examiner.com/article/ev-news-first-hotel-to-install-electric-car-charging-station-for-guests&docid=Hy6RWgv08bpOOM&imgurl=http://www.examiner.com/images/blog/wysiwyg/image/>.

Campus Life Services. “Charge your vehicle with us.” [retrieved on Dec. 30, 2012]. Retrieved from the Internet: <www.google.com/imgres?q=electric+vehicle-Fcharging+stations&start=713&um=1&hl=en&tbo=d&biw=1440&bih=783&tbm=isch&tbnid=9kS7R5ujBHDTOM:&imgrefurl=http://campuslifeservices.ucsteduks/16.784&docid=YUOFyHbLzoddxMimgurl=http://campuslifeservices.ucsf.edu/upload/ cls/body_images/EV_2_car_charge_unit300jpg&w=300&h=400&ei=GmcZULy1LSx0AG-4CoDA&zoom=I&iact=hc&vpx=595&vpy=11&dur=8286&hovh=259&hu>.

University of Maryland: The Department of Transportation Services. “About Electric Vehicle Charging Stations.” [retrieved on Nov. 7, 2012]. Retrieved from the Internet: <http://www.google.com/imgres?q=electric+vehicle+charging+kiosk&um=1&hl=en&tbo=d&biw=813&bih=453&tbm=isch&tbnid=s6QZc2vv4M1g-MAimgrefurl=http://www.transportation.umd.edu/chargingstation.html&docid=DuYNDCLikGewXM&imgurl=http://www.transportation.umd.edu/images/charging-station.png&w=230&h=320&ei=dGuZUK3sL9060AGz9oHIDw&zoom=1&iact=hc&vpx=498&vpy=59&dur=3576&hovh=256Ma>.

Moon, Jade. “Getting an EV Charge for Free.” [retrieved on Dec. 30, 2012]. Retrieved from the Internet: <www.google.com/imgres?q=electric-Fvehicle+charging+kiosk&um=1&hl=en&tbo=d&biw=813&bih=453&tbm=isch&tbnid=spbpBxbTvGDwIMAimgrefurl=http://www.midweek.com/getting-an-ev-charge-for-free/&docid=Wh1DDUhKhM7U1M&imgurl=http://www.midweek.com/wp-content/uploads/2012/04/moon.jpg&w=300&h=199&ei=dGuZUK3sL9060AGz9oHIDw&zoom=1&iact=hc&vpx=4&vpy=185&dur=3366&hovh=159&hou>.

Electric Vehicle Kiosk. [retrieved on Nov. 7, 2012]. Retrieved from the Internet: <www.google.com/imgres?q=electric+vehicle+charging+kiosk&um=1&hl=en&tbo=d&biw=813&bih=453&tbm=isch&tbnid=19Qs24hR5V2XAM:&imgrefurl=http://article.wn.com/view/2012/04/04/0pConnect_Leads_the_Way_With_Social_MediaEnabled_Electric_Ve/&docid=GswMh lig P_2aVM&imgurl=http://M.yimg.com/vi/Sd F4WoQqkYY/0.jpg&w=480&h=360&ei=dGuZUK3sL9060AGz9oHIDw&zoom=1&iact=hc&vpx=530&vpy=17&dur=10132&hovh=19441>.

* cited by examiner

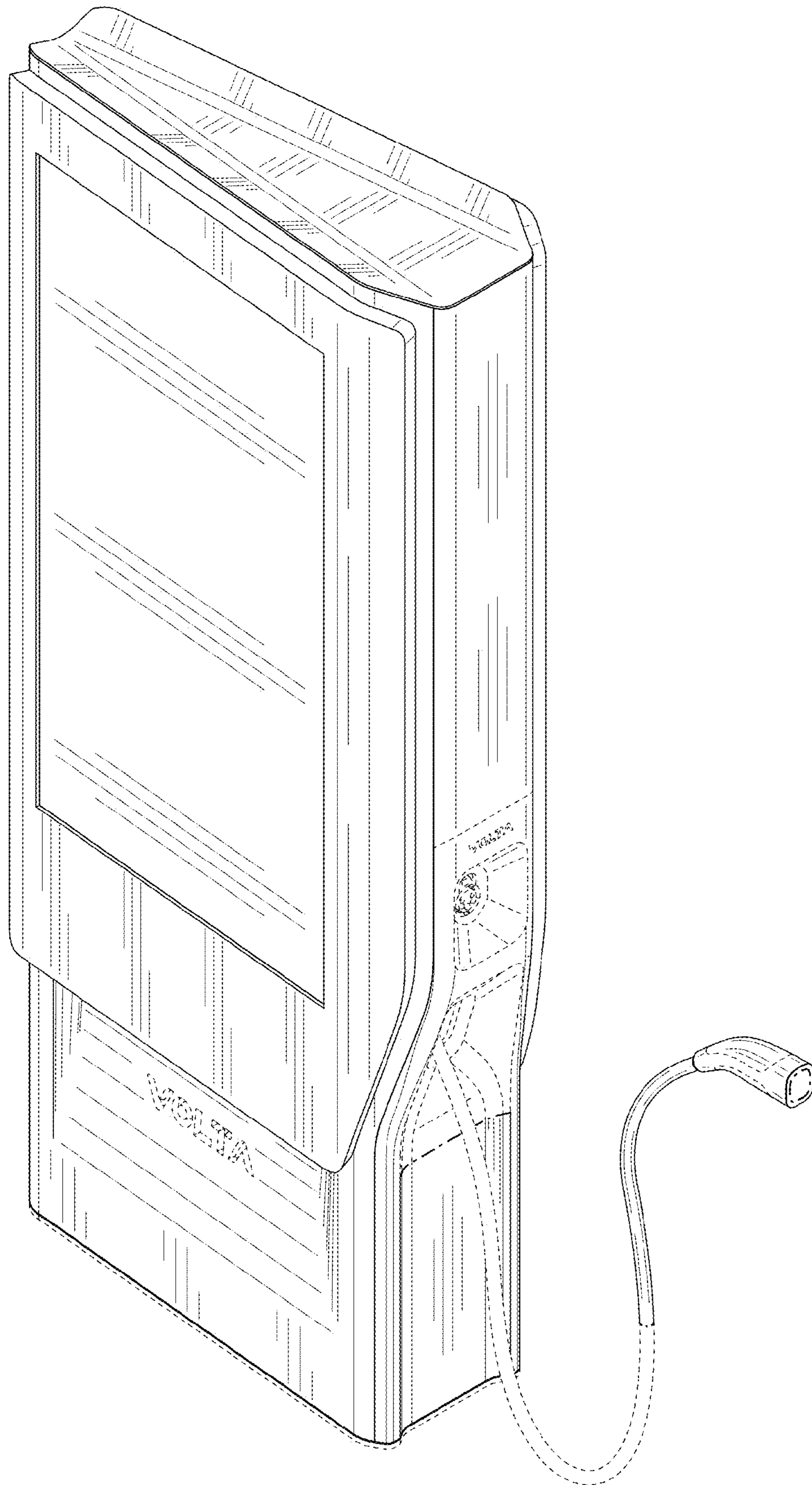


FIG. 1

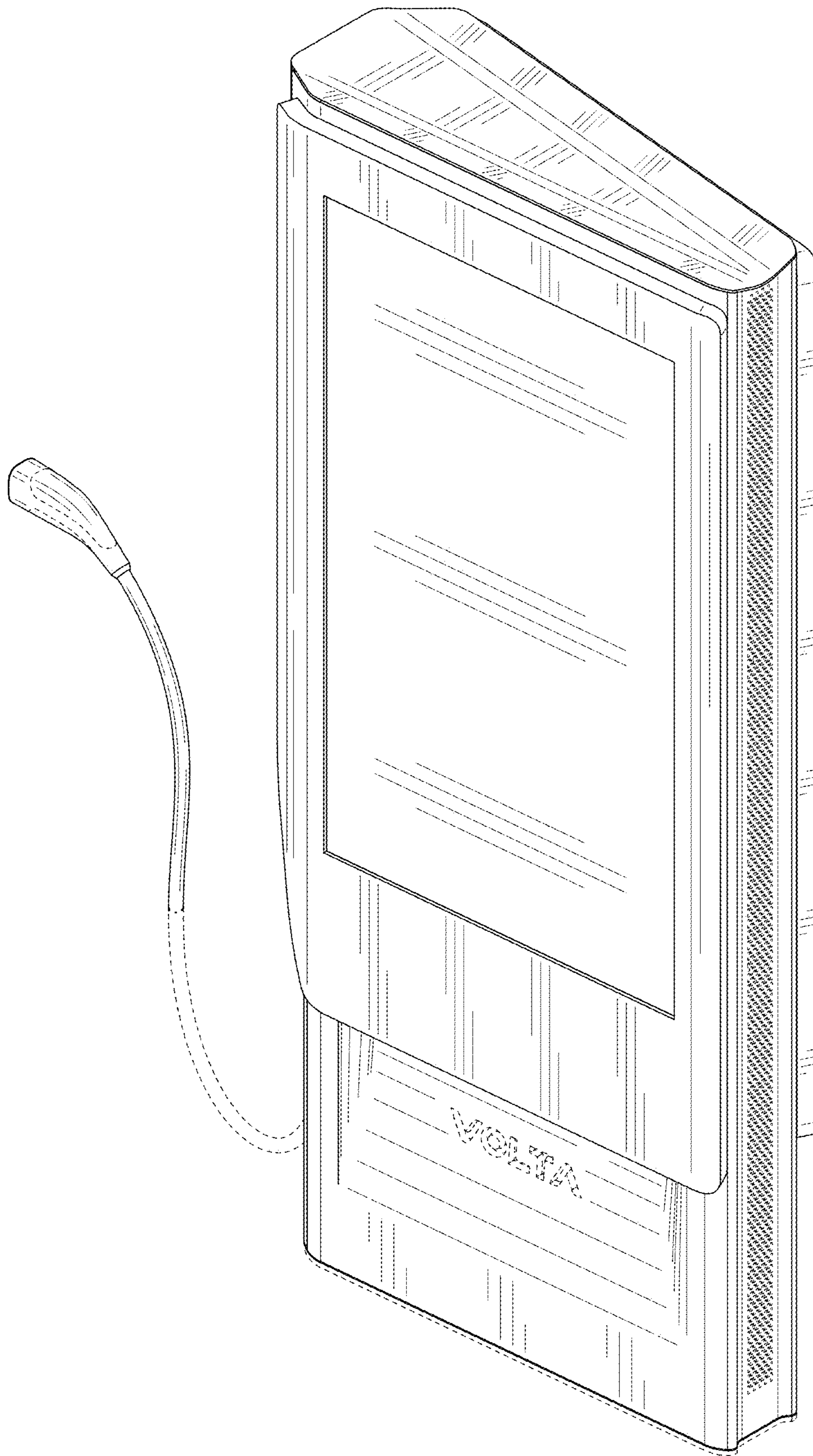


FIG. 2

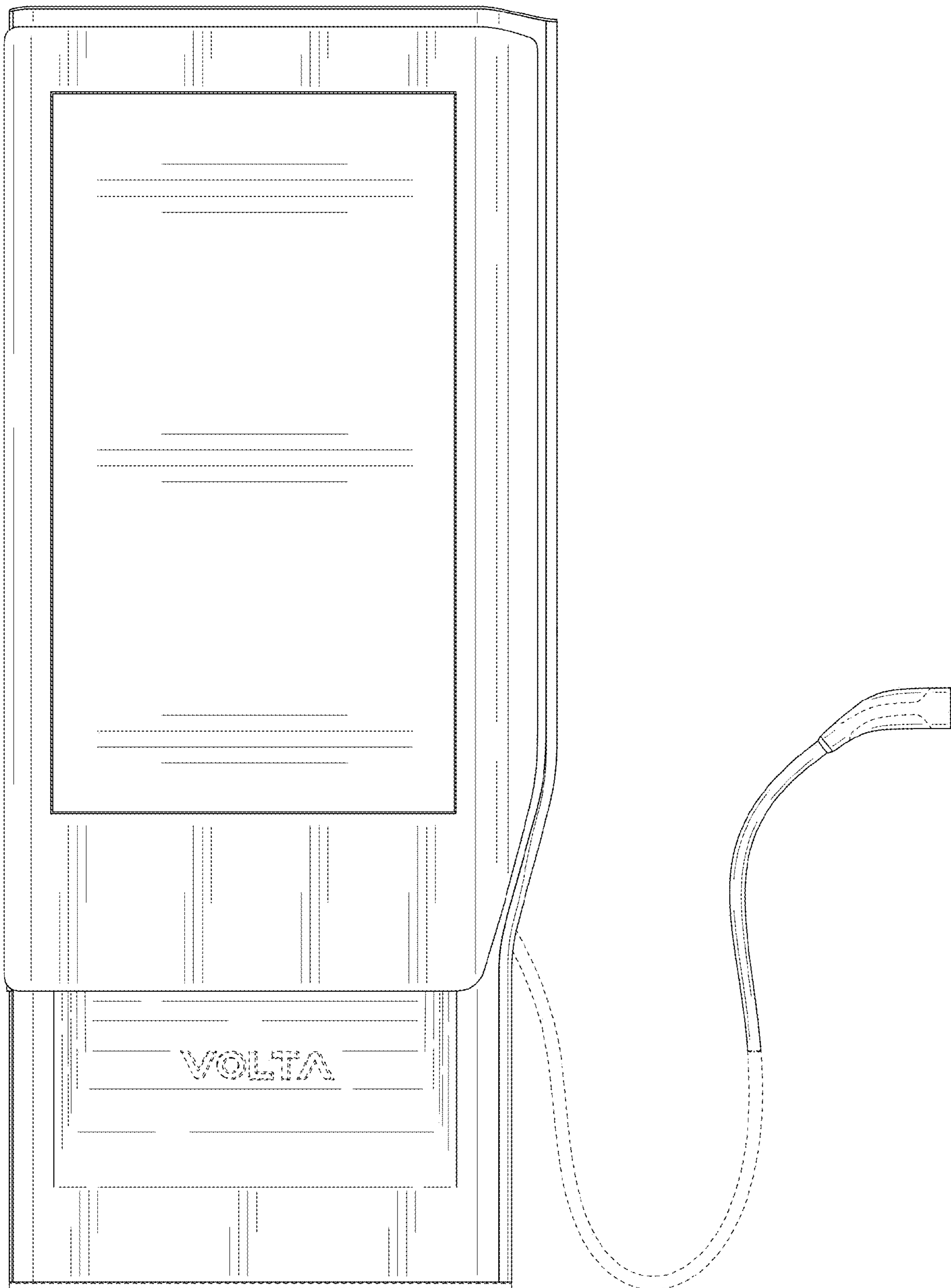


FIG. 3

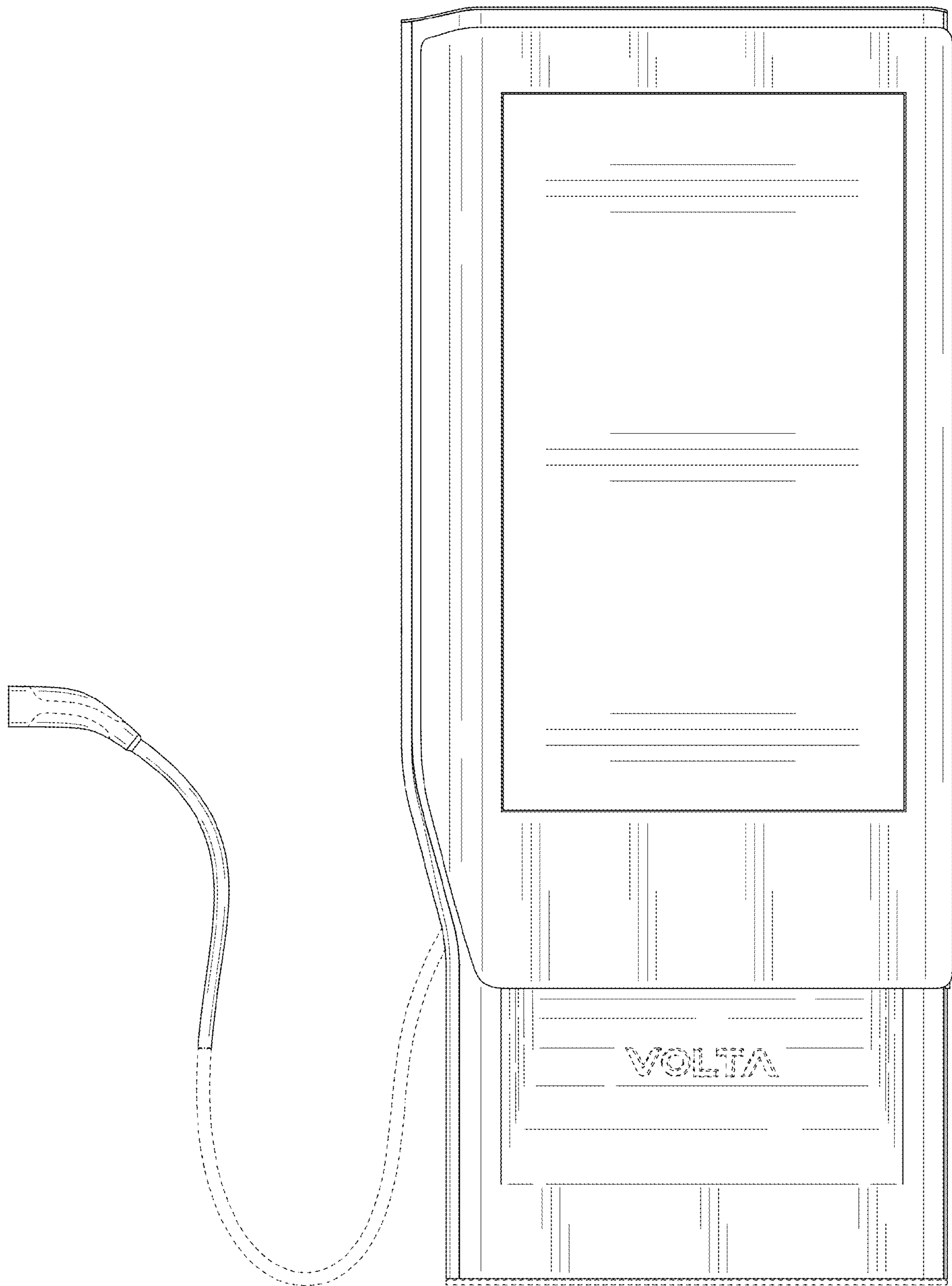


FIG. 4

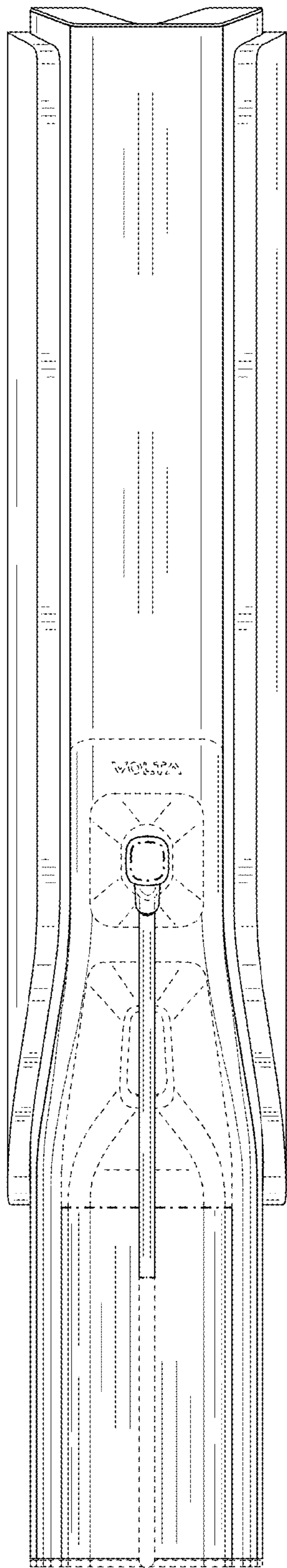


FIG. 5

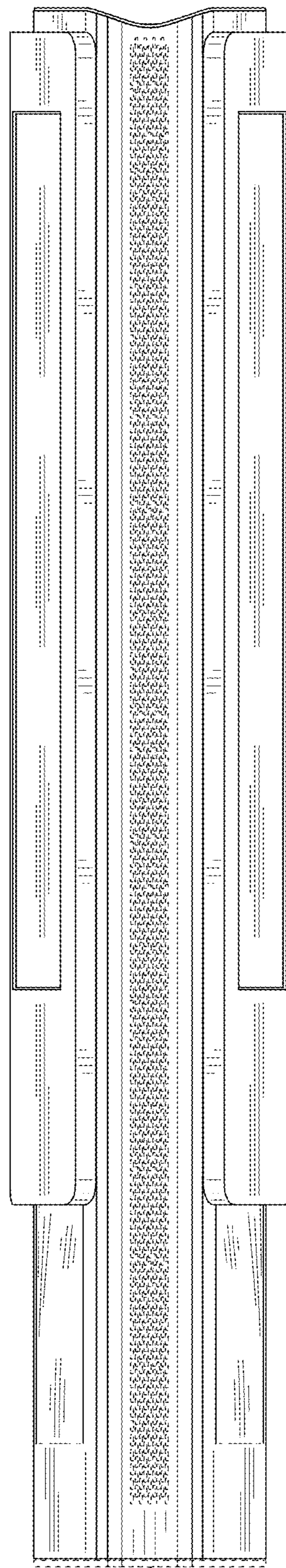


FIG. 6

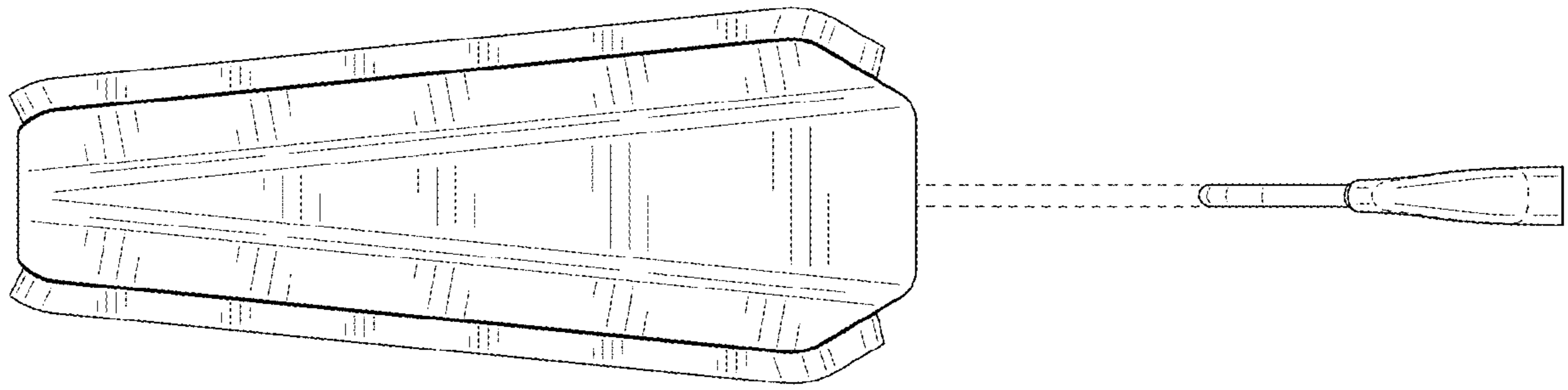


FIG. 7

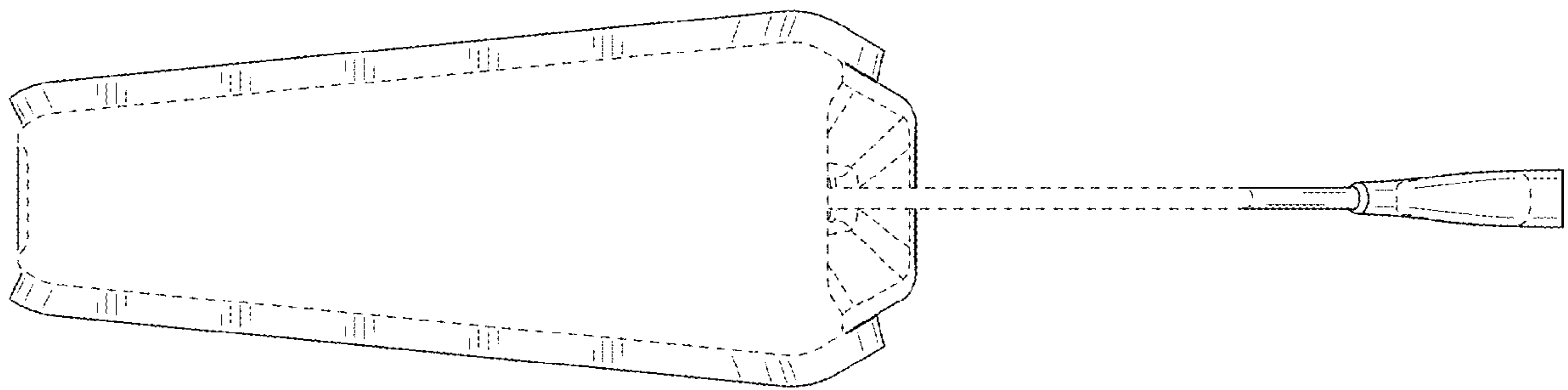


FIG. 8