



US00D893411S

(12) **United States Design Patent**
Roberts et al.

(10) **Patent No.:** **US D893,411 S**

(45) **Date of Patent:** **** Aug. 18, 2020**

(54) **BATTERY PACK**

D685,730 S * 7/2013 Hamm D13/103
D718,705 S * 12/2014 Naksen D13/103
D776,610 S * 1/2017 Nommensen D13/103

(Continued)

(71) Applicant: **Black & Decker Inc.**, New Britain, CT
(US)

Primary Examiner — Rosemary K Tarcza

Assistant Examiner — Nathaniel D. Buckner

(72) Inventors: **Michael W. Roberts**, Red Lion, PA
(US); **Timothy J. Hennesy**, Baltimore,
MD (US); **Abhisheka Moturu**,
Pikesville, MD (US); **David A. Miller**,
Aberdeen, MD (US)

(74) *Attorney, Agent, or Firm* — Michael Aronoff

(57) **CLAIM**

The ornamental design for a battery pack, as shown and
described.

(73) Assignee: **Black & Decker Inc.**, New Britain, CT
(US)

DESCRIPTION

(**) Term: **15 Years**

FIG. 1 is a top, front, left perspective view of a first
embodiment of a battery pack showing my new design.

(21) Appl. No.: **29/643,959**

FIG. 2 is a top, front, right perspective view of the battery
pack of FIG. 1.

(22) Filed: **Apr. 13, 2018**

FIG. 3 is a top, rear, right perspective view of the battery
pack of FIG. 1.

(51) **LOC (12) Cl.** **13-02**

FIG. 4 is a top, rear, left perspective view of the battery pack
of FIG. 1.

(52) **U.S. Cl.**
USPC **D13/103**

(58) **Field of Classification Search**

USPC D13/102–106, 110, 118–119, 184
CPC Y02E 60/12; Y02E 60/122; Y02E 60/124;
Y02E 60/50; H01M 2/02; H01M 2/022;
H01M 2/0202; H01M 2/0207; H01M
2/0212; H01M 2/1061; H01M 2/1022;
H01M 2/1055; H01M 2/1066; H01M
2/105; H01M 2/204; H01M 2/1016;
H01M 2200/00; H01M 10/4257; H01M
10/0436; H01M 10/48; H01M 10/42
See application file for complete search history.

FIG. 5 is a bottom, front, left perspective view of the battery
pack of FIG. 1.

FIG. 6 is a bottom, front, right perspective view of the
battery pack of FIG. 1.

FIG. 7 is a bottom, rear, right perspective view of the battery
pack of FIG. 1.

FIG. 8 is a bottom, rear, left perspective view of the battery
pack of FIG. 1.

FIG. 9 is a front elevation view of the battery pack of FIG.
1.

FIG. 10 is a rear elevation view of the battery pack of FIG.
1.

FIG. 11 is a left side elevation view of the battery pack of
FIG. 1.

FIG. 12 is a right side elevation view of the battery pack of
FIG. 1.

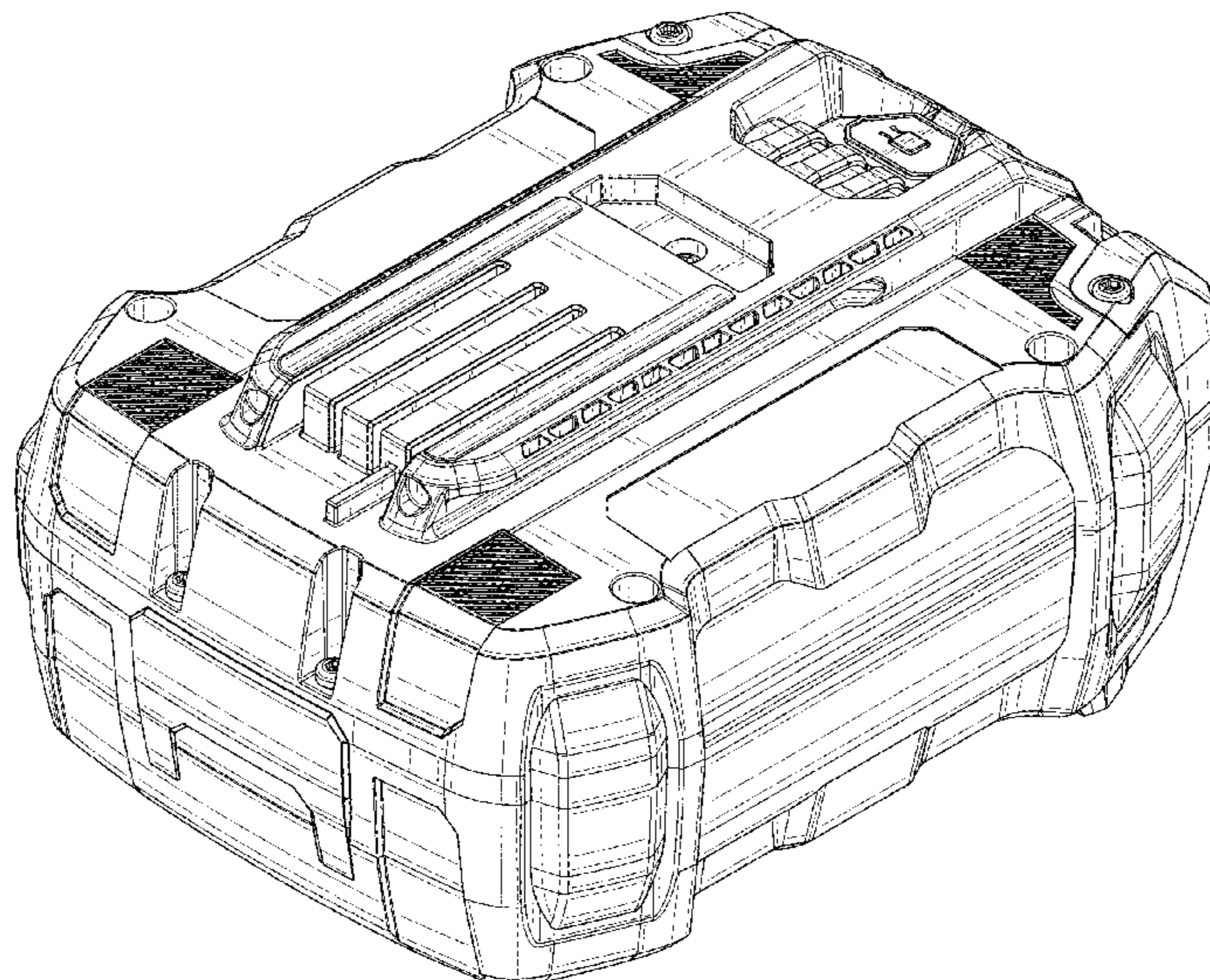
FIG. 13 is a top plan view of the battery pack of FIG. 1; and,
FIG. 14 is a bottom plan view of the battery pack of FIG. 1.

(56) **References Cited**

U.S. PATENT DOCUMENTS

D481,672 S * 11/2003 Niwa D13/103
D483,012 S * 12/2003 Hsu D13/103
D524,728 S * 7/2006 Watson D13/103
D681,550 S * 5/2013 Corbin D13/103

1 Claim, 14 Drawing Sheets



(56)

References Cited

U.S. PATENT DOCUMENTS

D812,555	S *	3/2018	Schoch	D13/103
D838,239	S *	1/2019	Stray	D13/107
D840,333	S *	2/2019	Cooper	D13/103
D856,273	S *	8/2019	Houghton	D13/103
2016/0293909	A1 *	10/2016	O'Sullivan	H01M 2/1022
2020/0052257	A1 *	2/2020	Stanton	H01M 2/1094

* cited by examiner

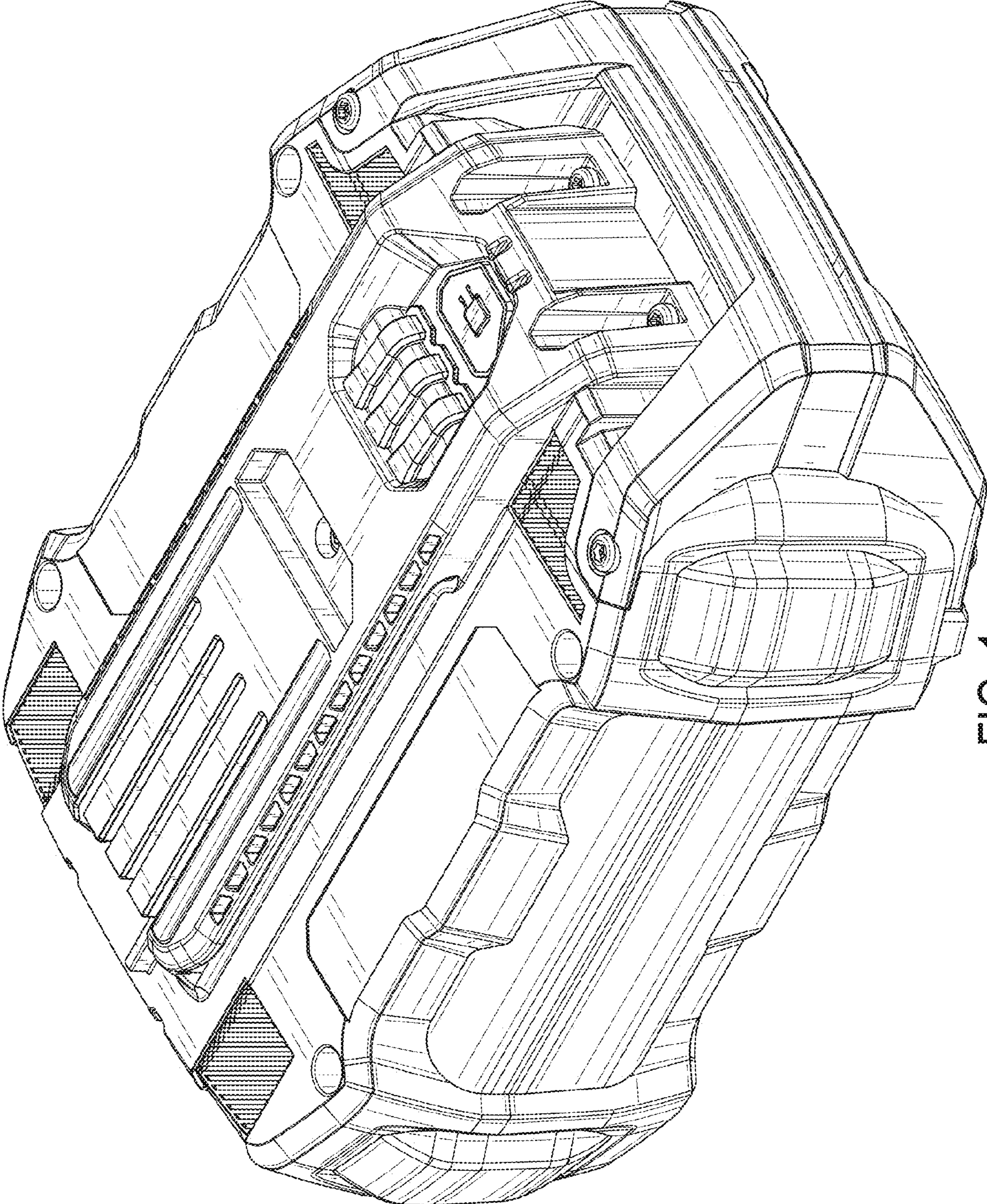


FIG. 1

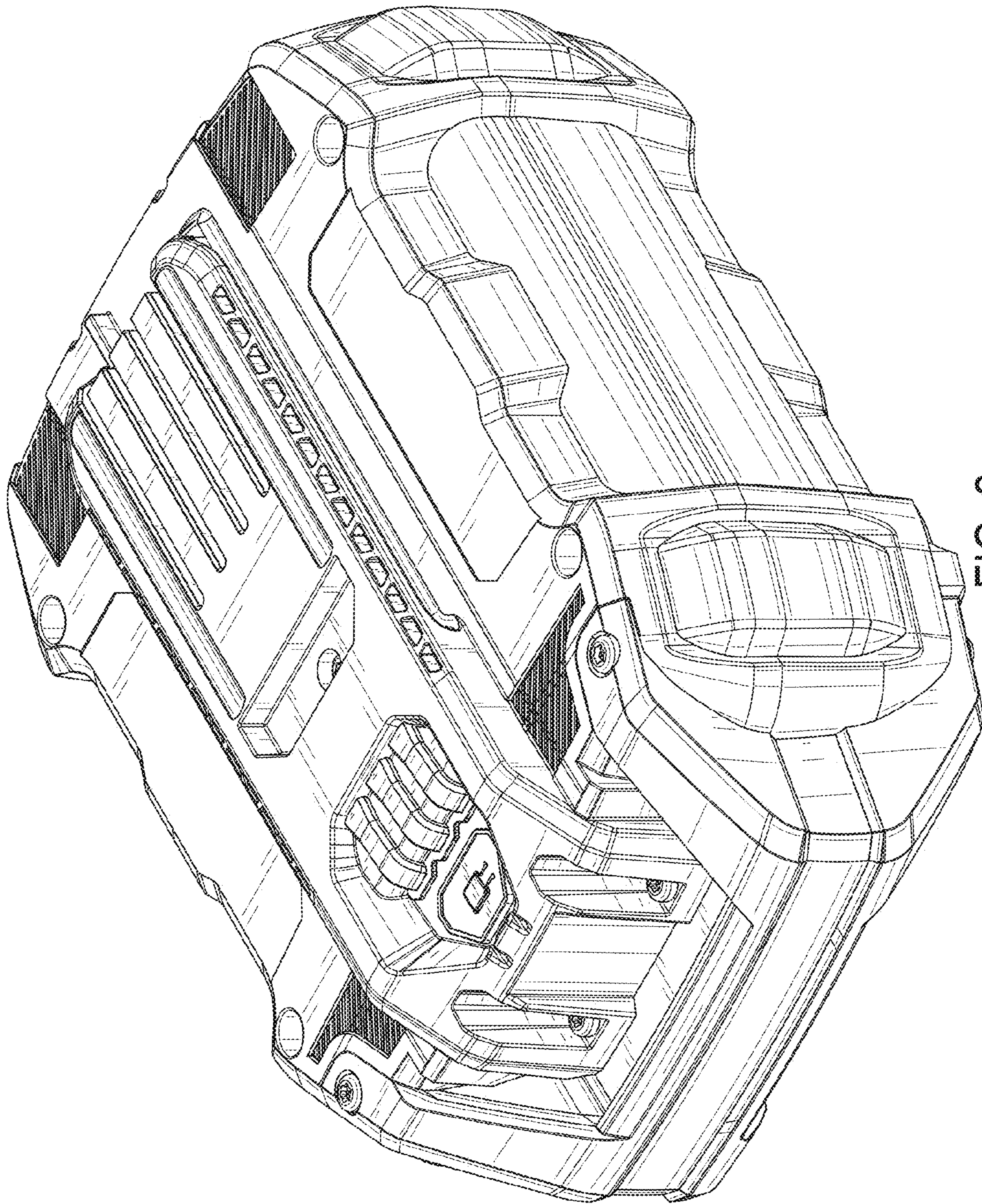


FIG. 2

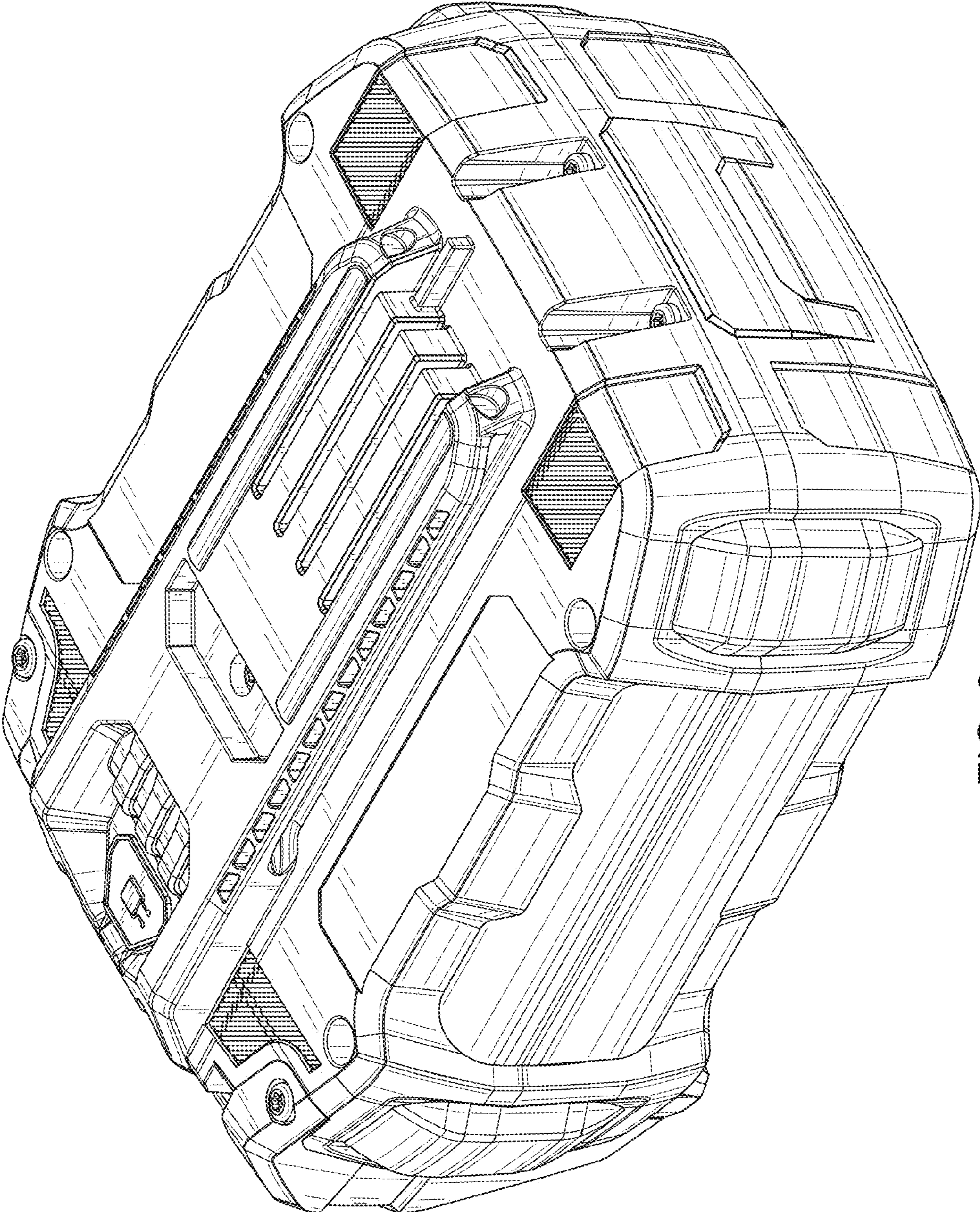


FIG. 3

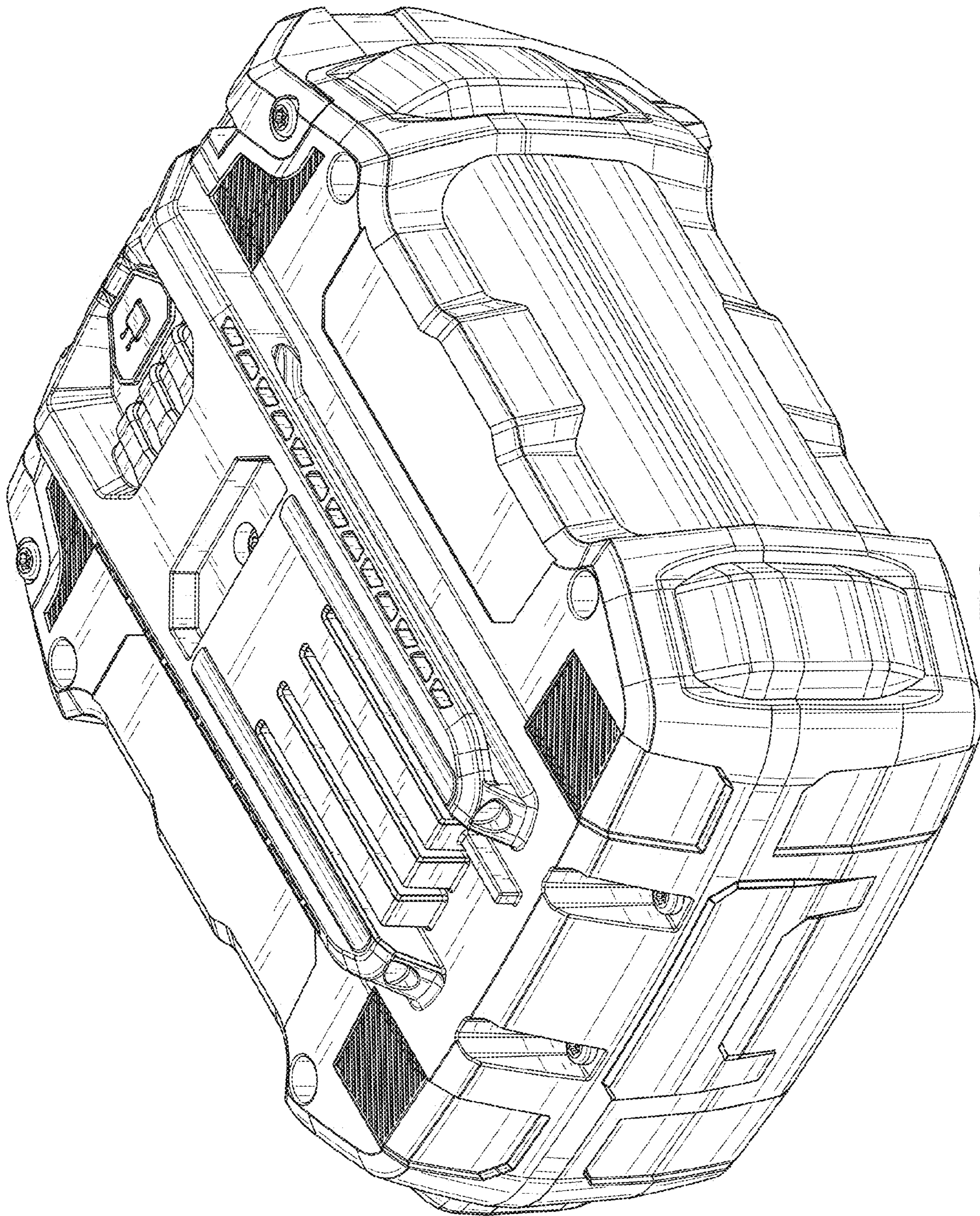


FIG. 4

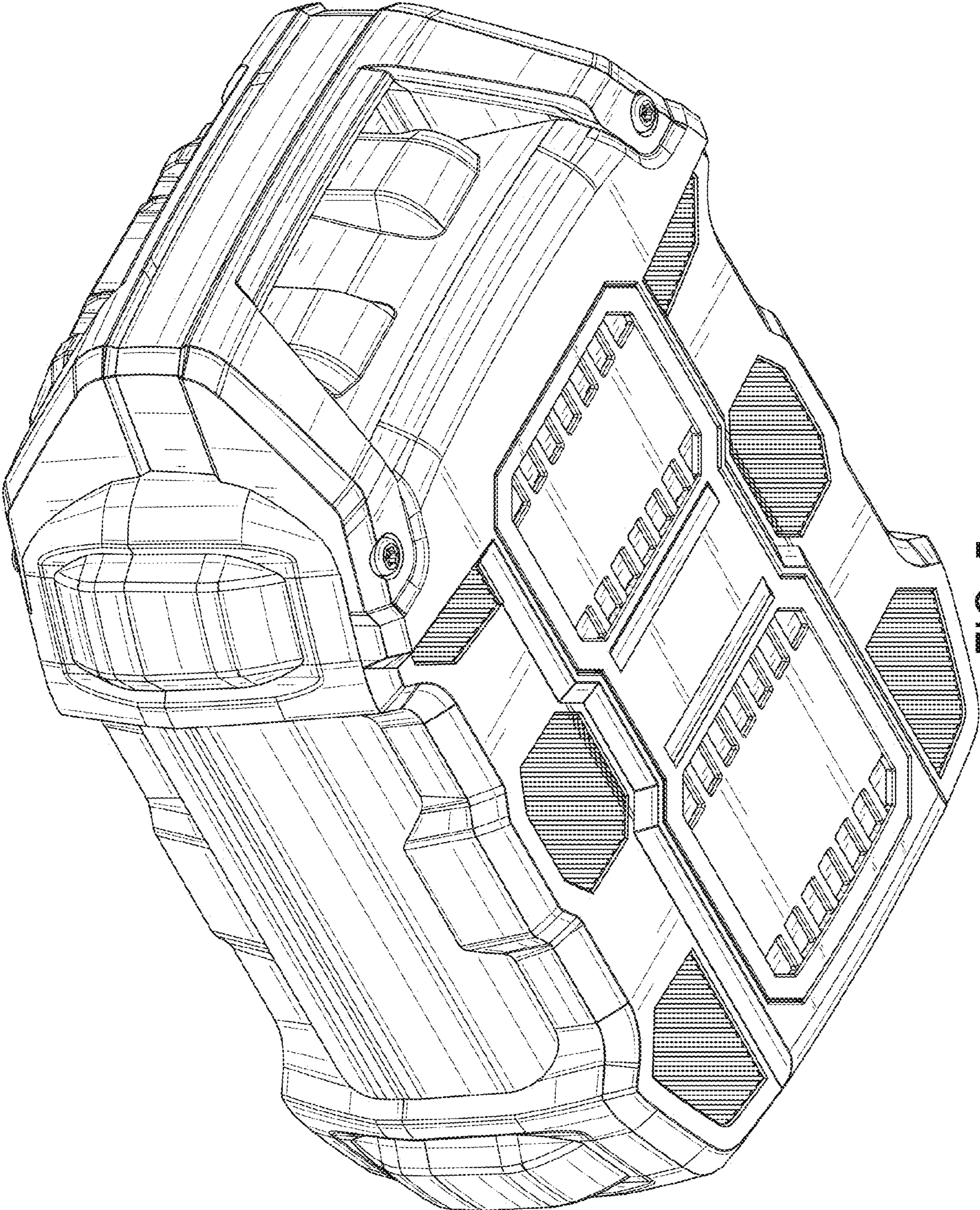


FIG. 5

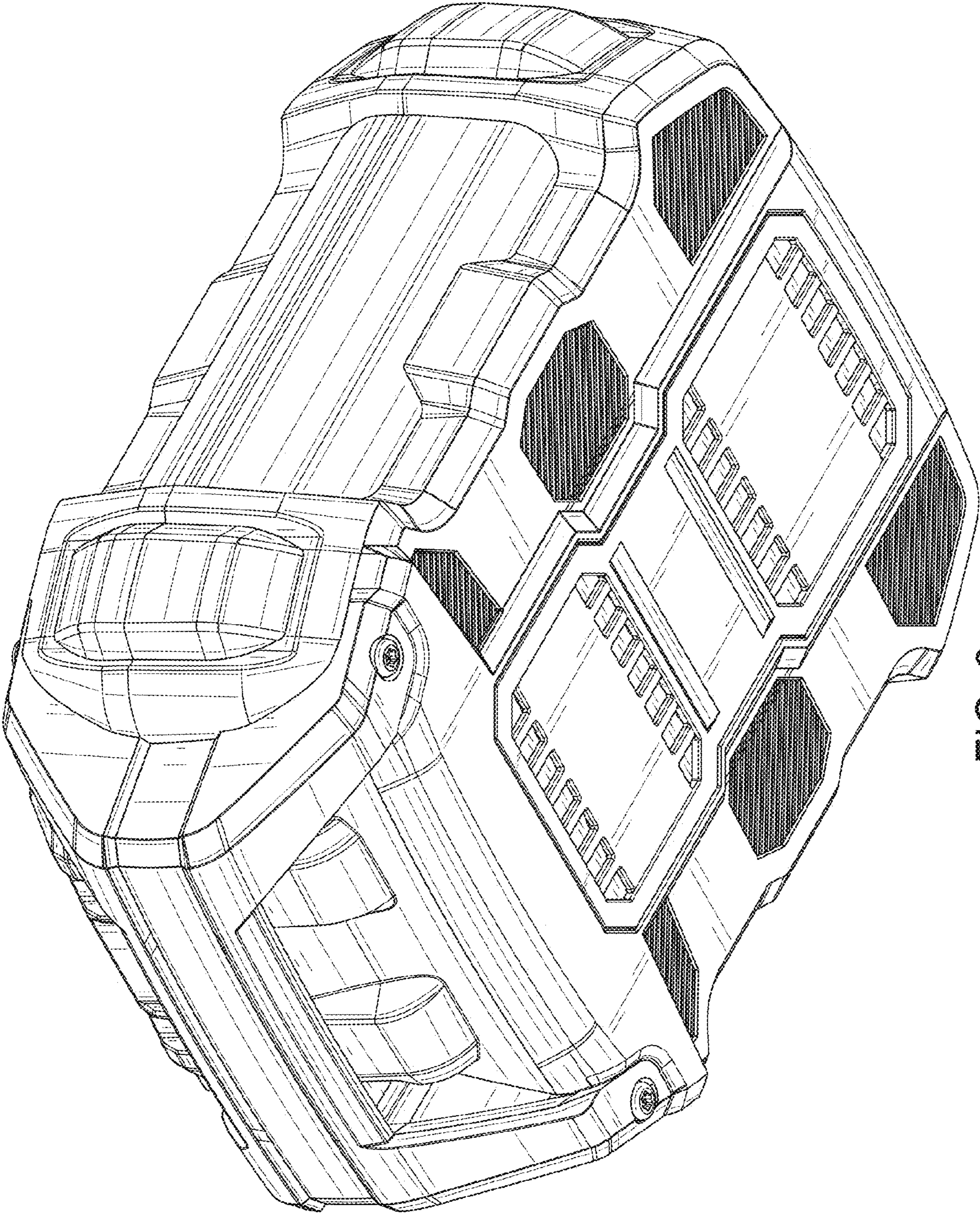


FIG. 6

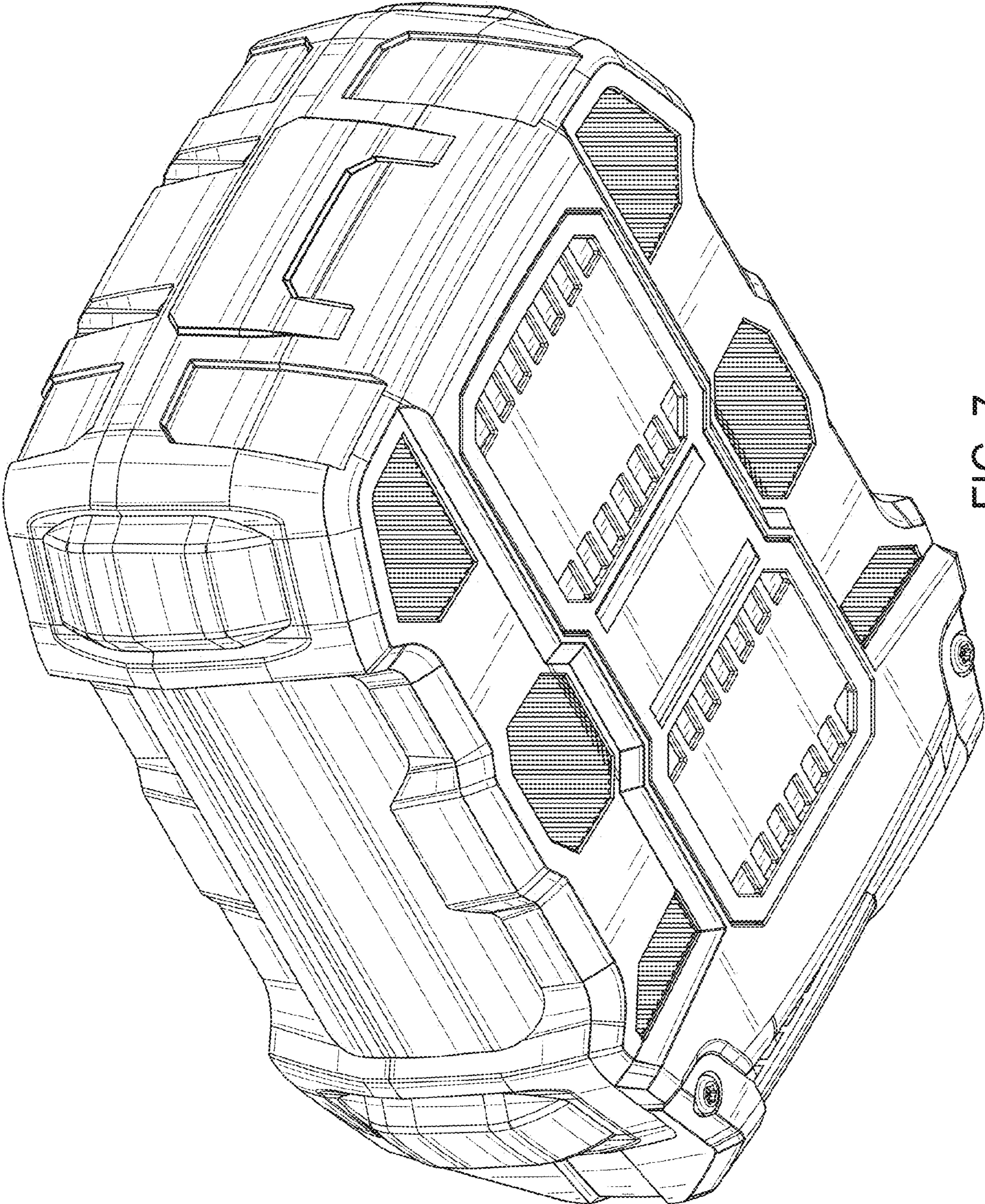


FIG. 7

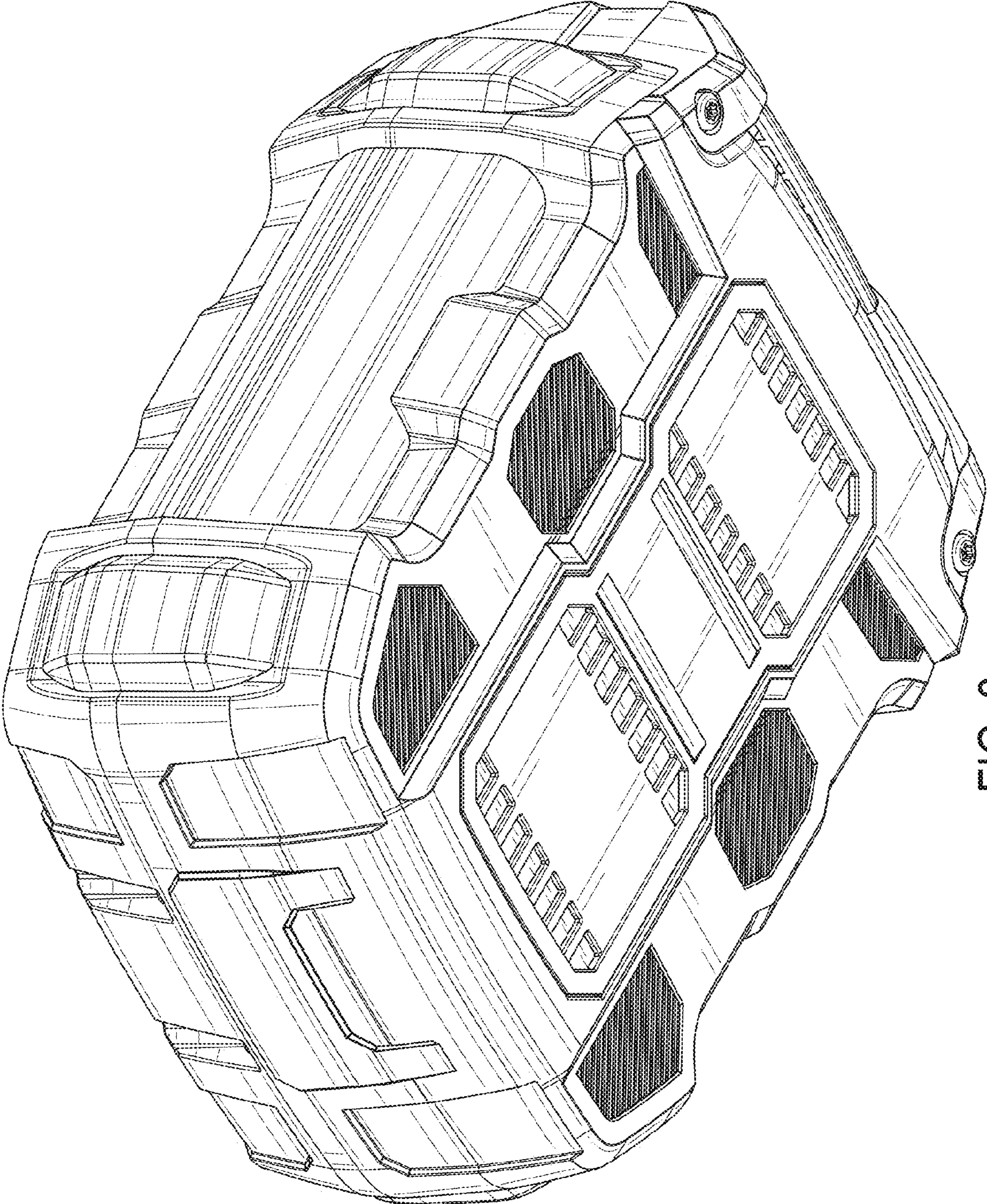


FIG. 8

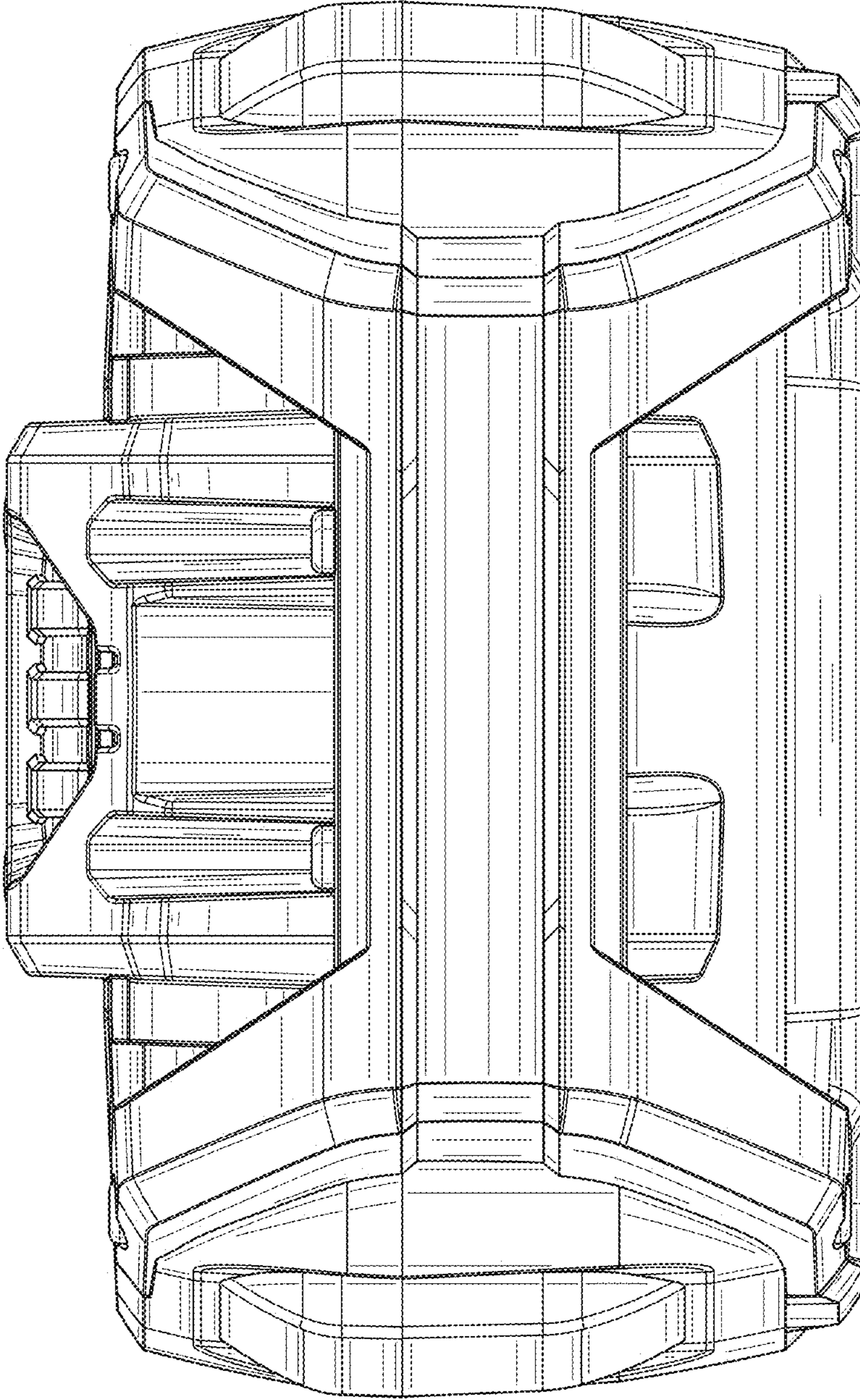


FIG. 9

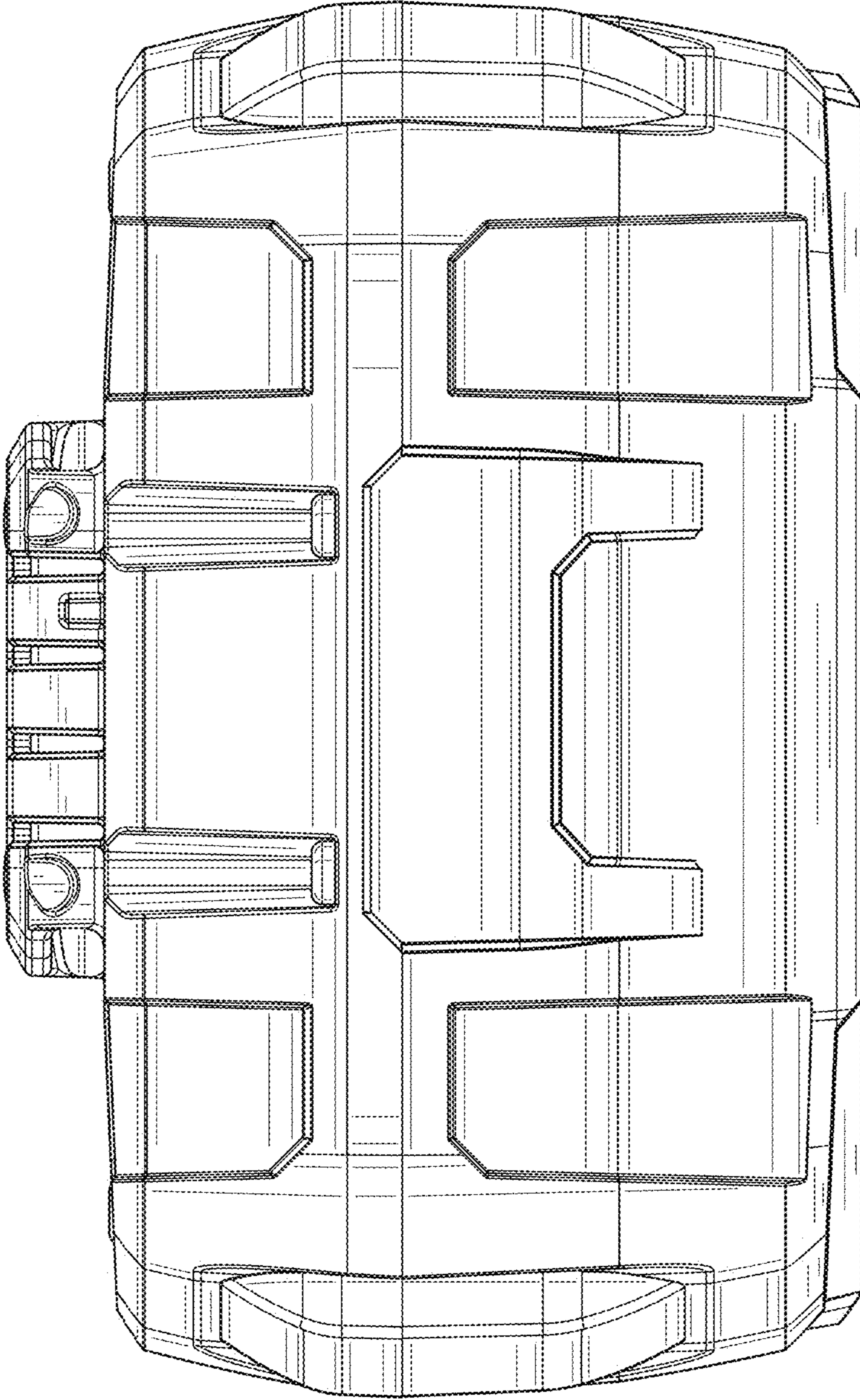


FIG. 10

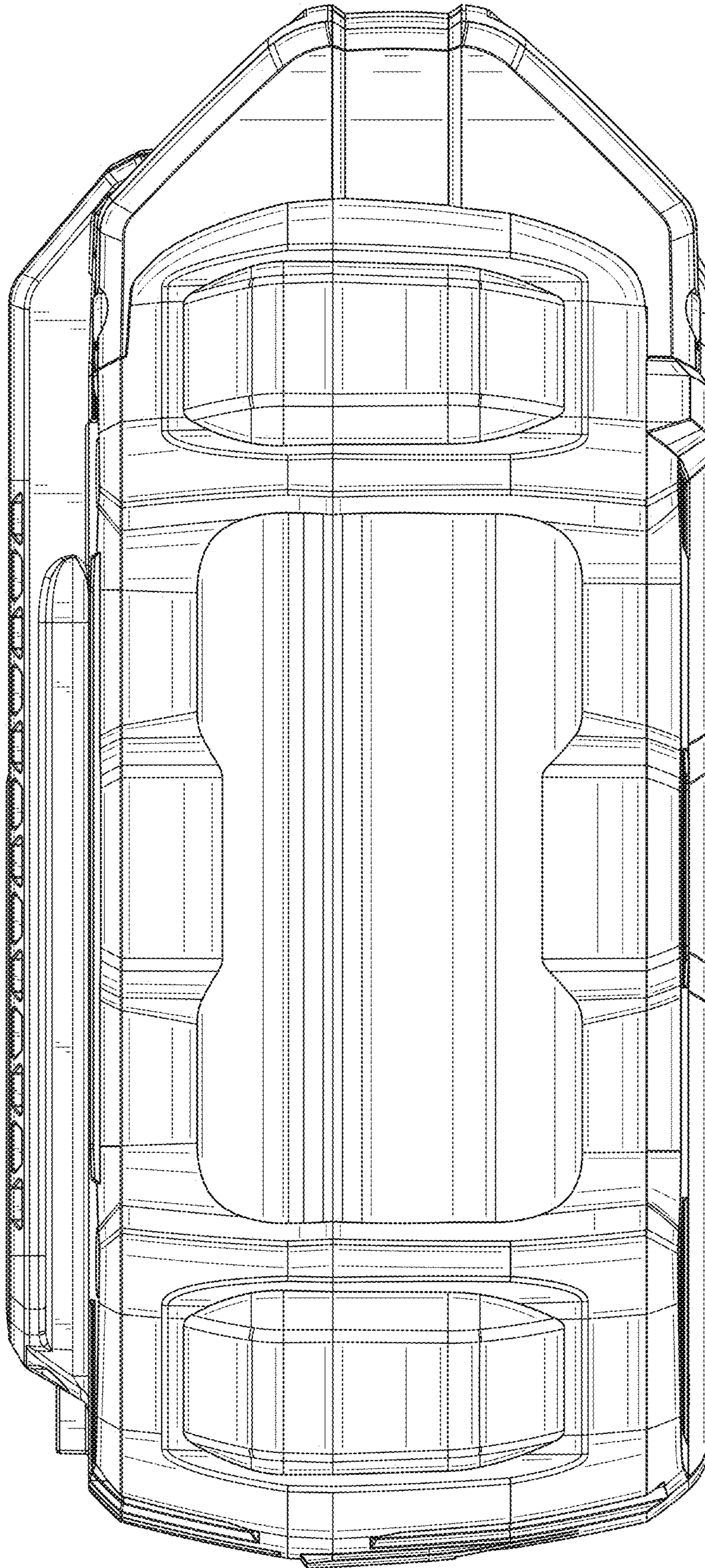


FIG. 11

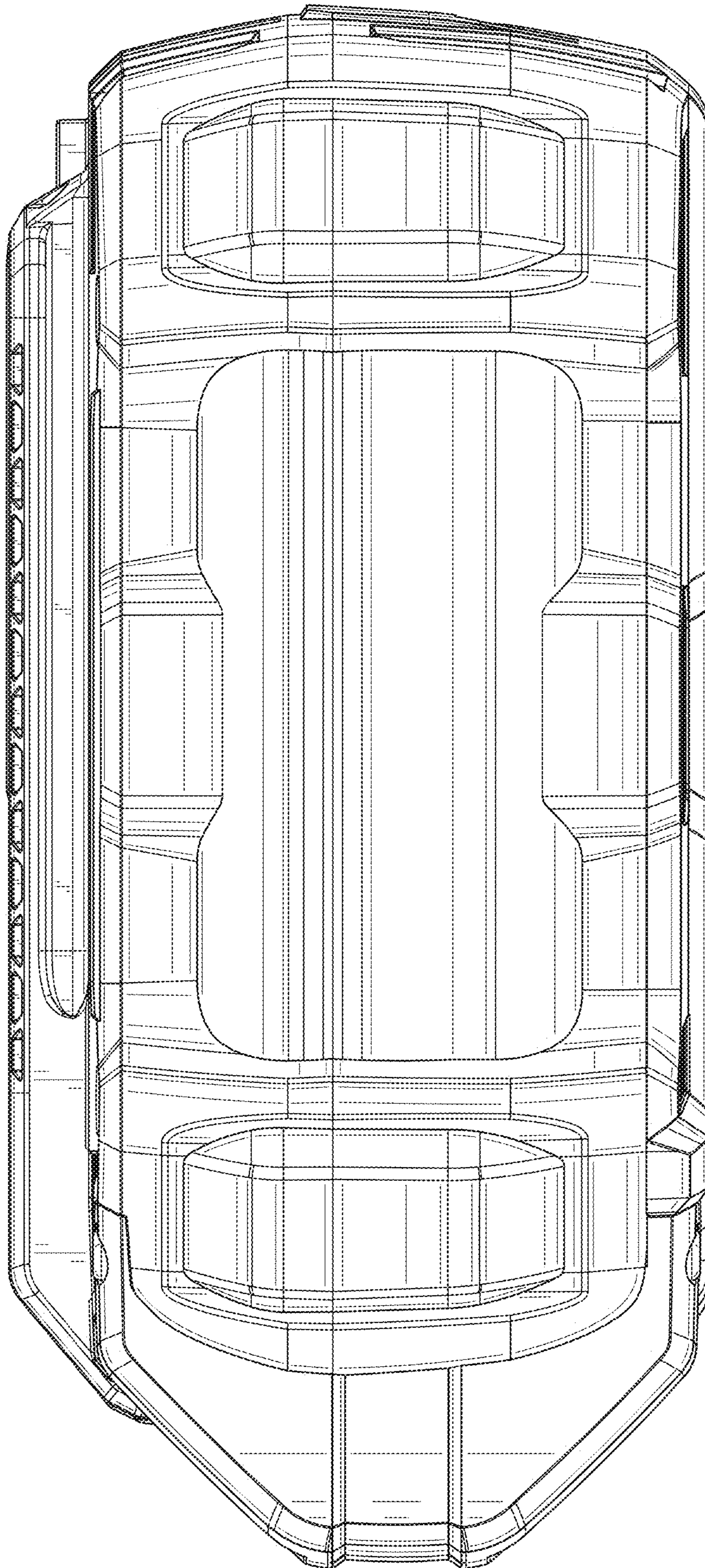


FIG. 12

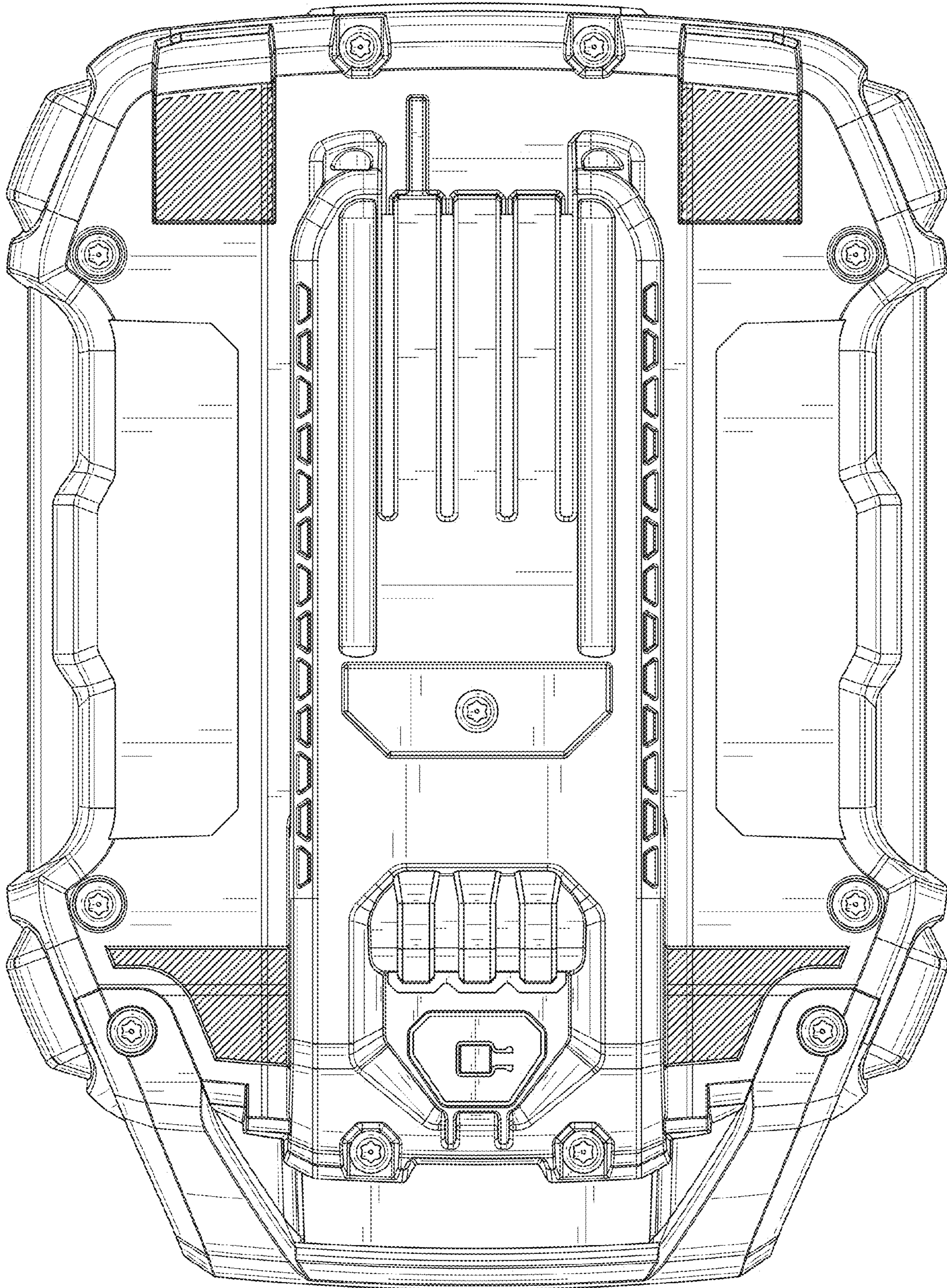


FIG. 13

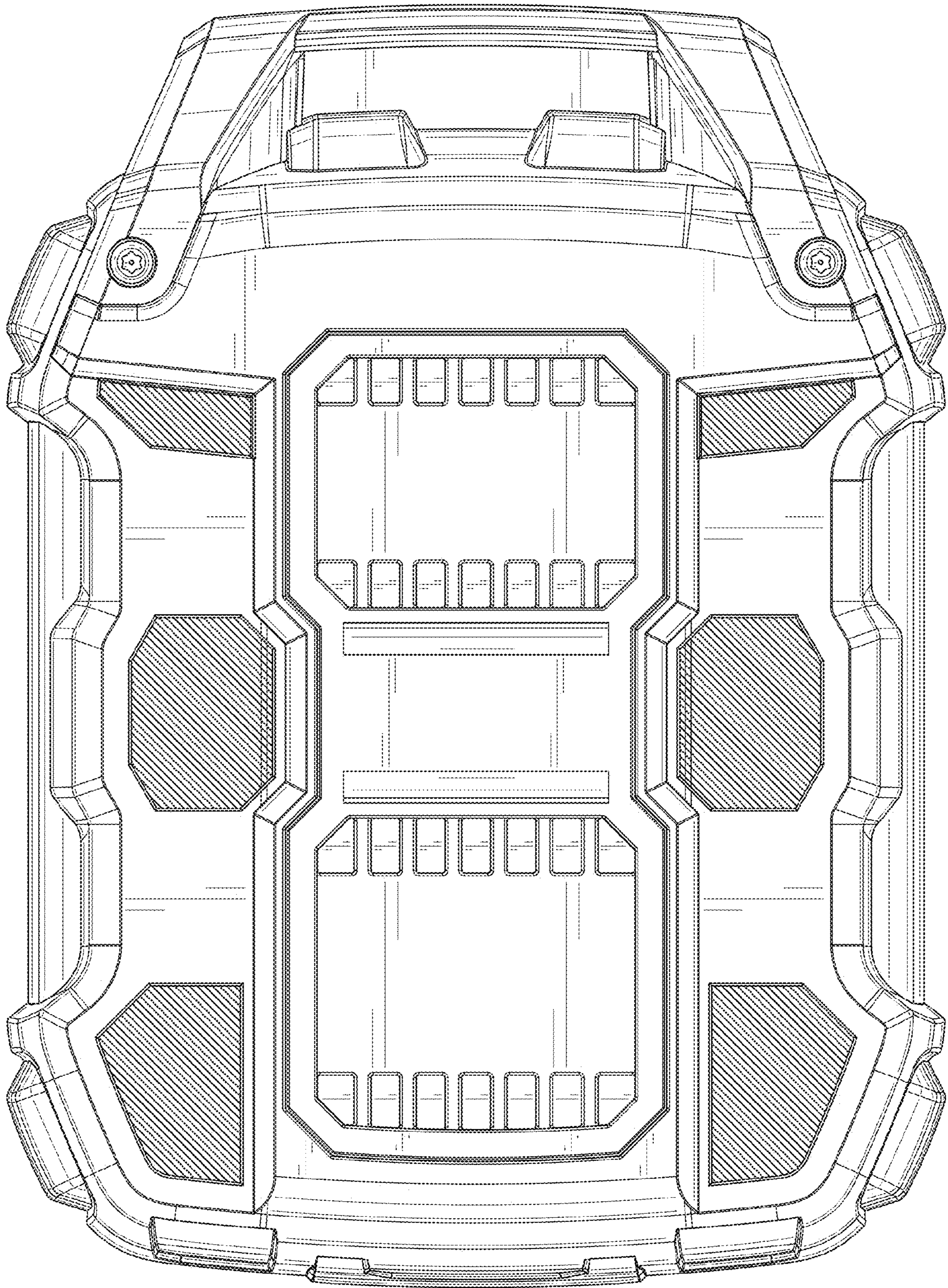


FIG. 14