



US00D893410S

(12) **United States Design Patent** (10) **Patent No.:** **US D893,410 S**
Botsai et al. (45) **Date of Patent:** **** Aug. 18, 2020**

(54) **BATTERY PACK**

(56) **References Cited**

(71) Applicant: **Zebra Technologies Corporation**,
Lincolnshire, IL (US)

U.S. PATENT DOCUMENTS

(72) Inventors: **Kurt Botsai**, Thousand Oaks, CA (US);
Petrica Dorinel Balcan, Thousand
Oaks, CA (US); **Lawrence E.**
Smolenski, Newbury Park, CA (US);
David L. Garbe, Ventura, CA (US);
Arvind Chari, Newbury Park, CA (US)

D397,670	S	*	9/1998	Davies	D13/103
D401,215	S	*	11/1998	Moskowitz	D13/103
D404,356	S	*	1/1999	Higgins	D13/103
D405,754	S	*	2/1999	Barkley	D13/103
D422,962	S	*	4/2000	Shevlin	D13/103
D537,775	S	*	3/2007	Morris	D13/103
D765,592	S	*	9/2016	Friend	D13/103
D776,611	S	*	1/2017	Thompson	D13/103
D790,453	S	*	6/2017	Tinius	D13/103
D830,961	S	*	10/2018	Doi	D13/102
D844,556	S	*	4/2019	Irfan	D13/103
D848,366	S	*	5/2019	Lian	D13/108
D849,679	S	*	5/2019	Tian	D13/103

(73) Assignee: **Zebra Technologies Corporation**,
Lincolnshire, IL (US)

* cited by examiner

(**) Term: **15 Years**

Primary Examiner — Rosemary K Tarcza

(21) Appl. No.: **29/607,064**

(57) **CLAIM**

(22) Filed: **Jun. 9, 2017**

We claim the ornamental design for a battery pack, as shown and described.

(51) **LOC (12) Cl.** **13-02**

DESCRIPTION

(52) **U.S. Cl.**

USPC **D13/103**

(58) **Field of Classification Search**

USPC D13/102–106, 110, 118–119, 184

CPC Y02E 60/12; Y02E 60/122; Y02E 60/124;

Y02E 60/50; H01M 2/02; H01M 2/022;

H01M 2/0202; H01M 2/0207; H01M

2/0212; H01M 2/1061; H01M 2/1022;

H01M 2/1055; H01M 2/1066; H01M

2/105; H01M 2/204; H01M 2/1016;

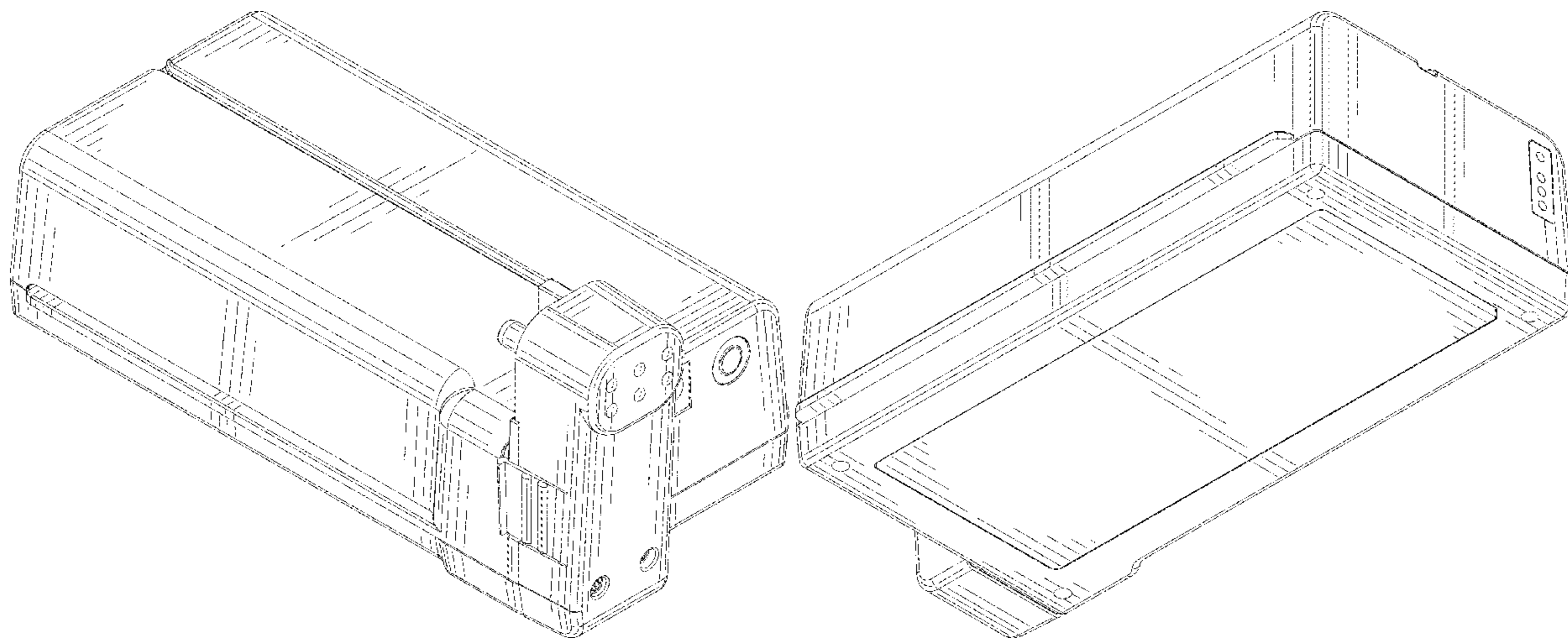
H01M 2200/00; H01M 10/4257; H01M

10/0436; H01M 10/48; H01M 10/42

See application file for complete search history.

FIG. 1 is a first perspective view of an example battery pack;
 FIG. 2 is a second perspective view thereof;
 FIG. 3 is a rear view thereof;
 FIG. 4 is a front view thereof;
 FIG. 5 is a first side view thereof;
 FIG. 6 is a second side view thereof;
 FIG. 7 is a top view thereof; and,
 FIG. 8 is a bottom view thereof.
 The broken lines are directed to environment and are for illustrative purposes only. Broken lines form no part of the claimed design.

1 Claim, 7 Drawing Sheets



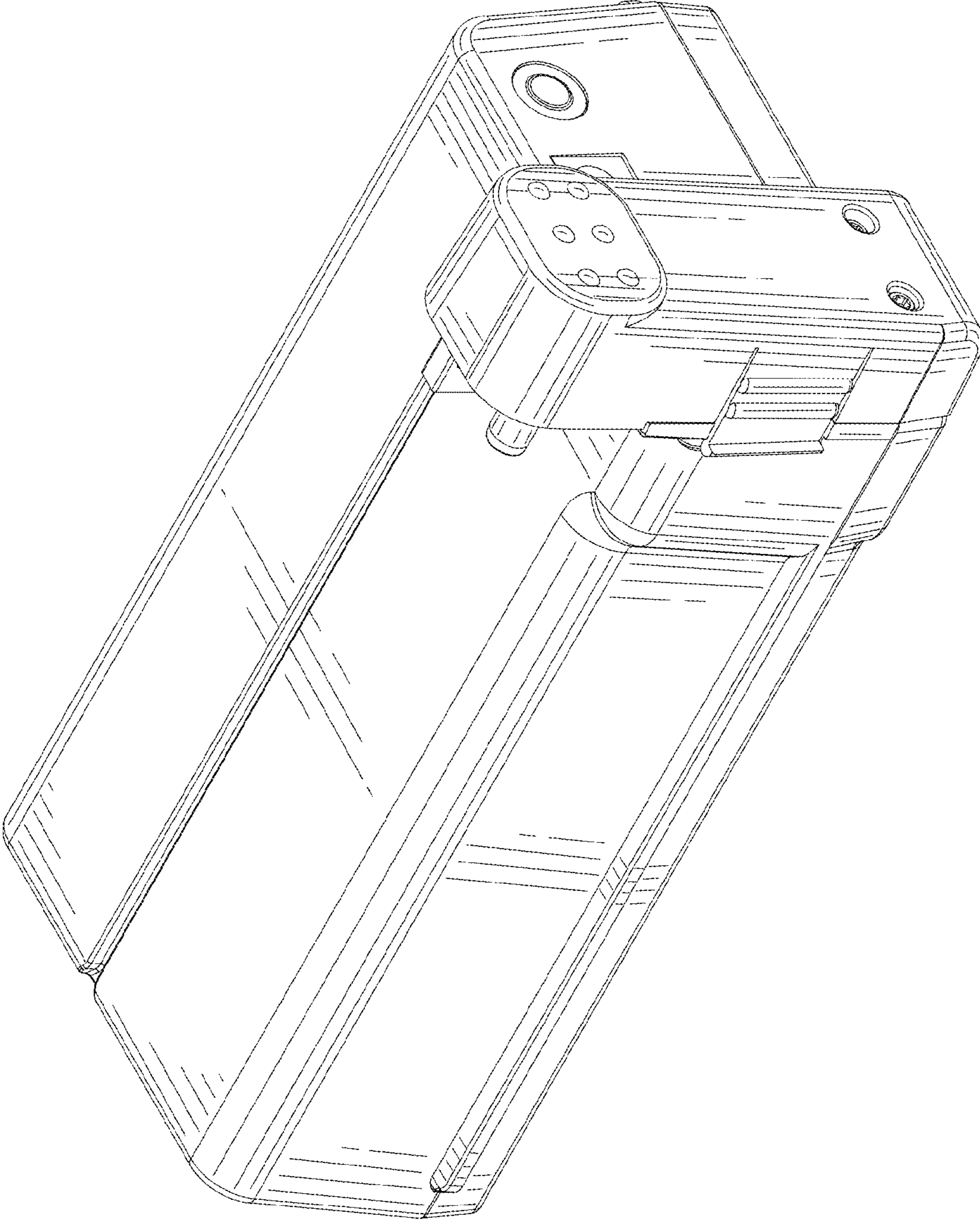


FIG. 1

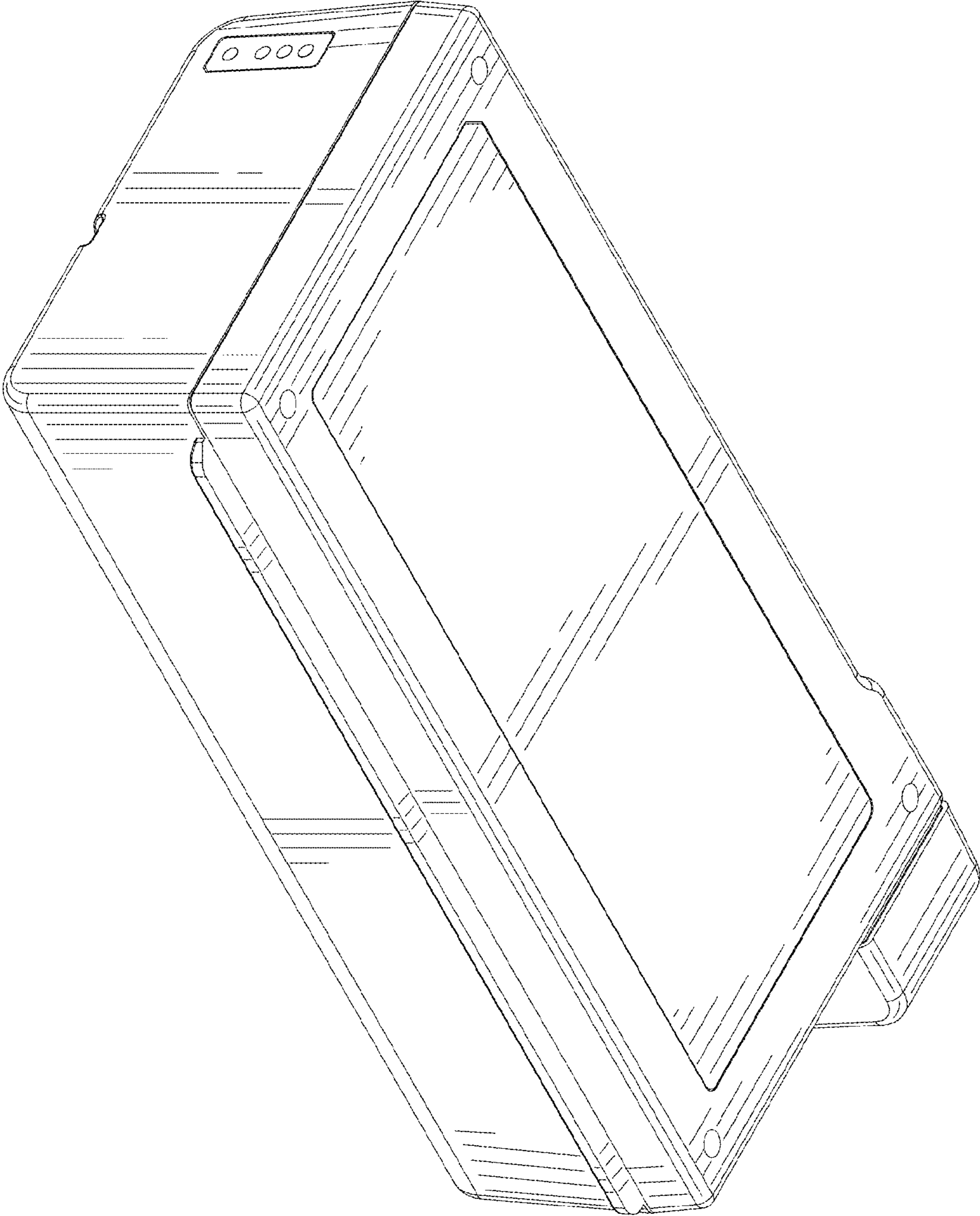


FIG. 2

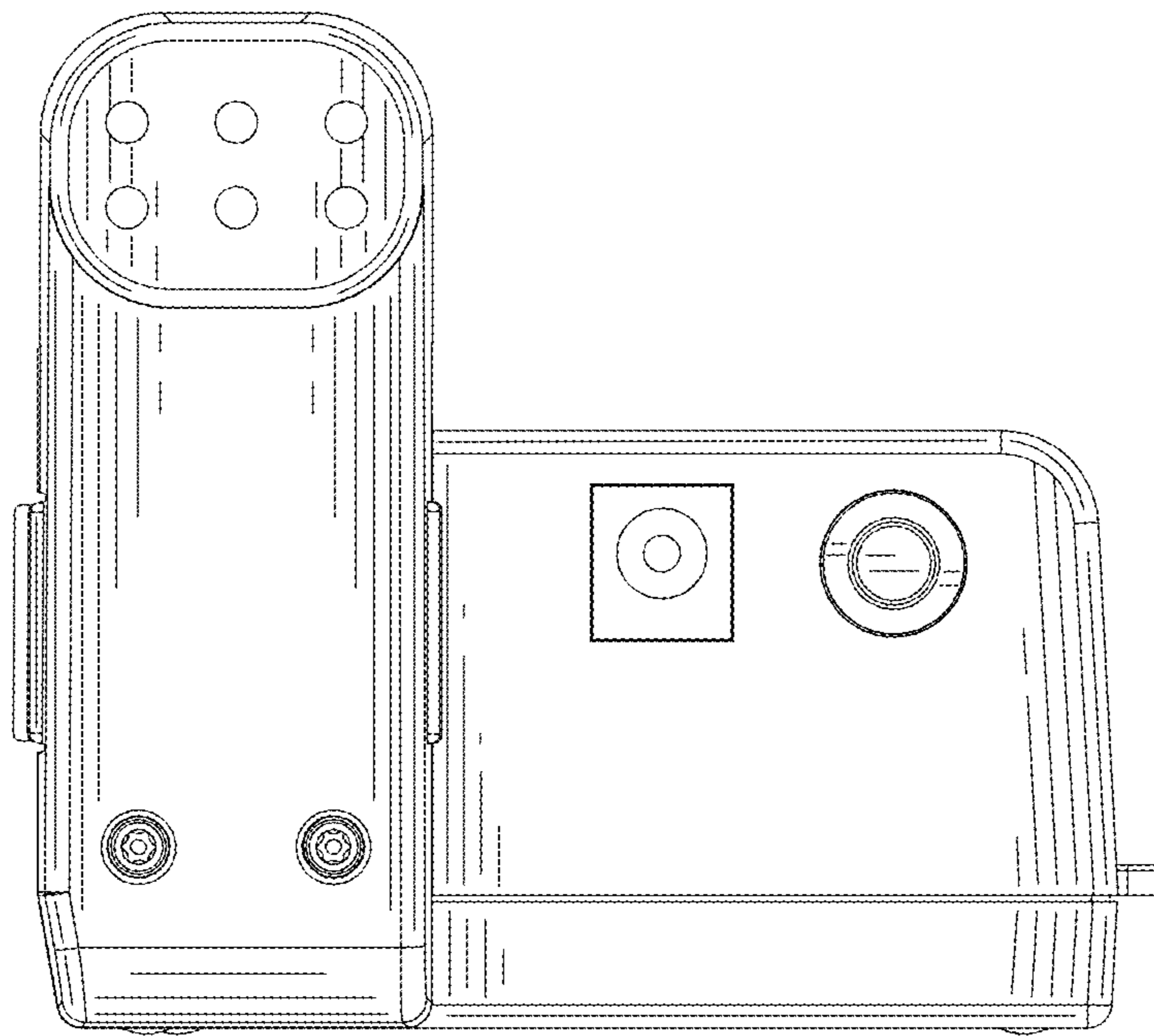


FIG. 3

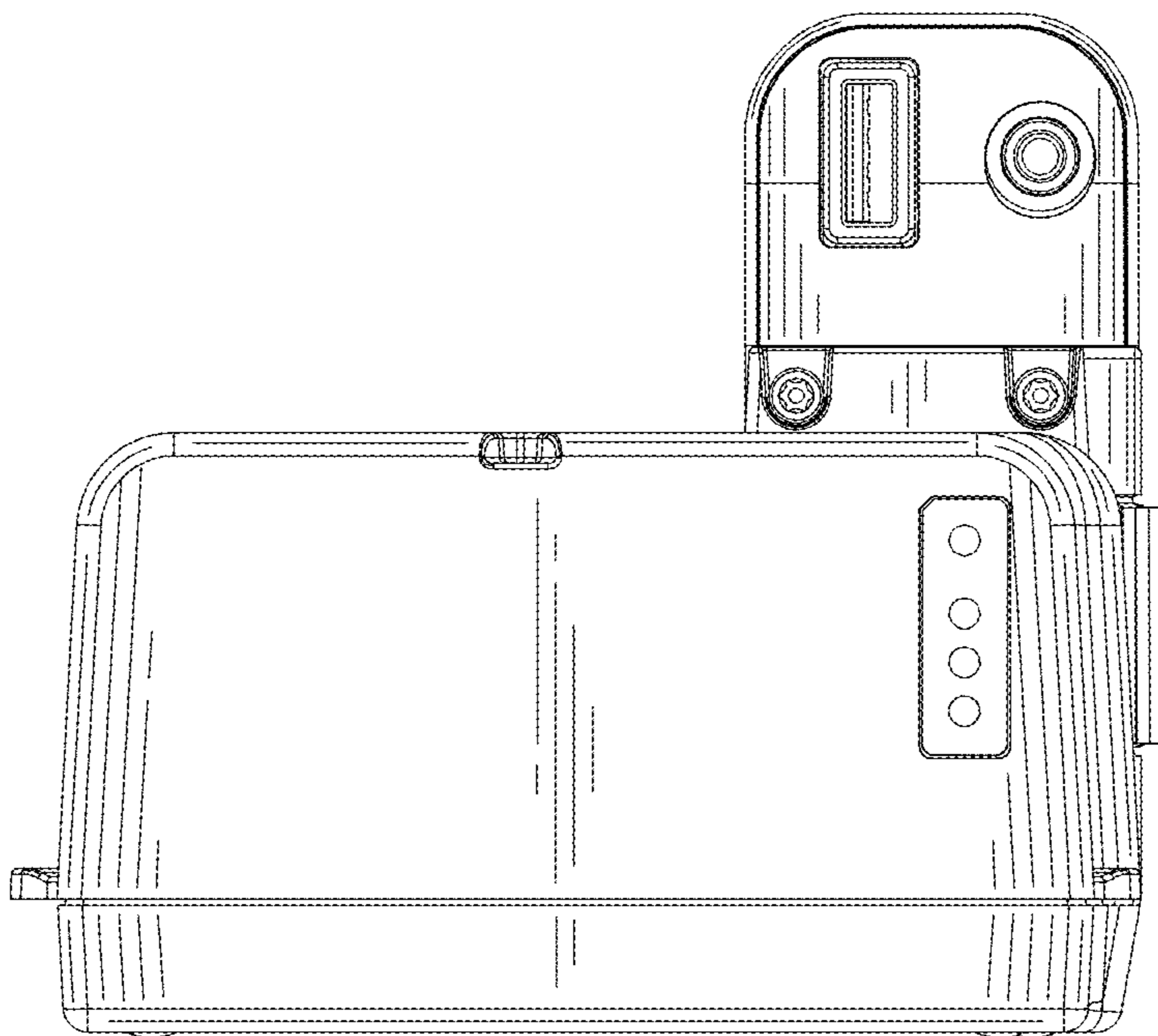


FIG. 4

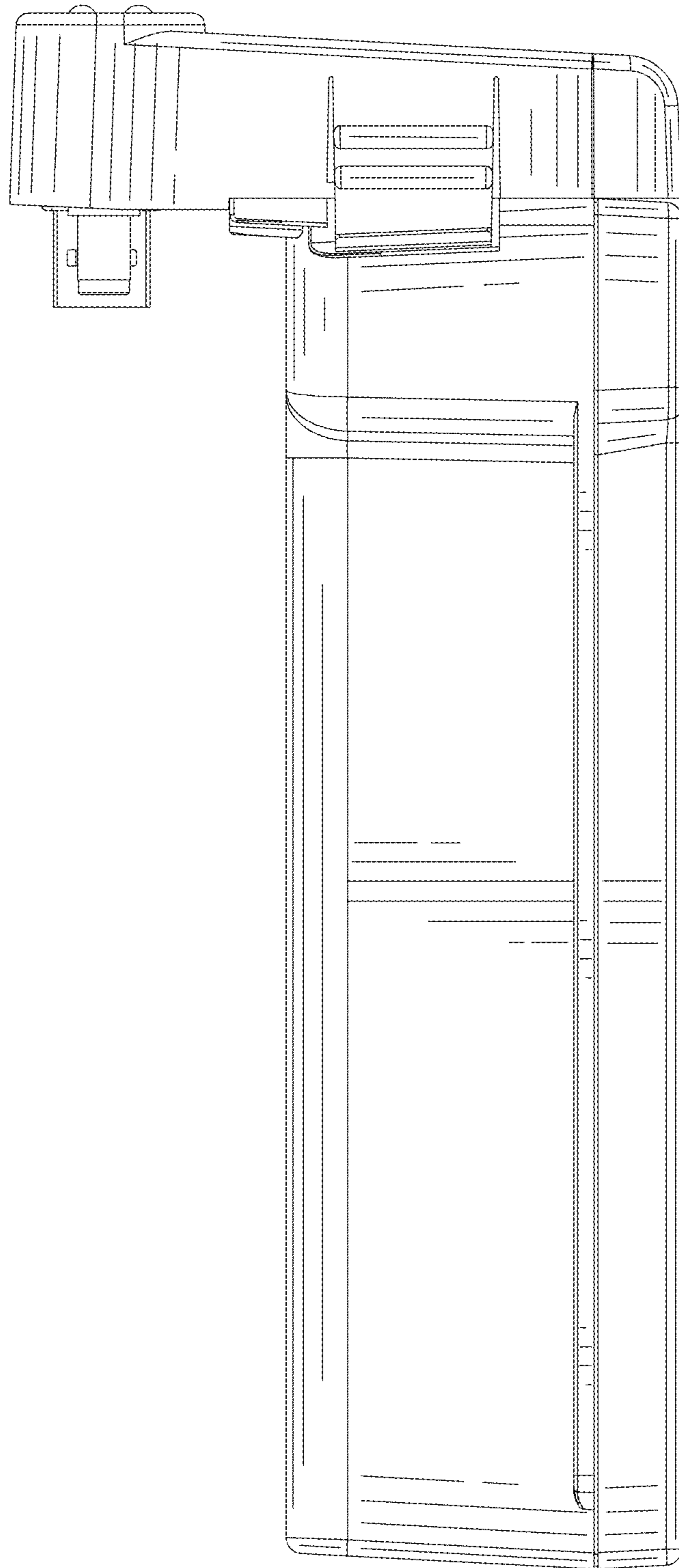


FIG. 5

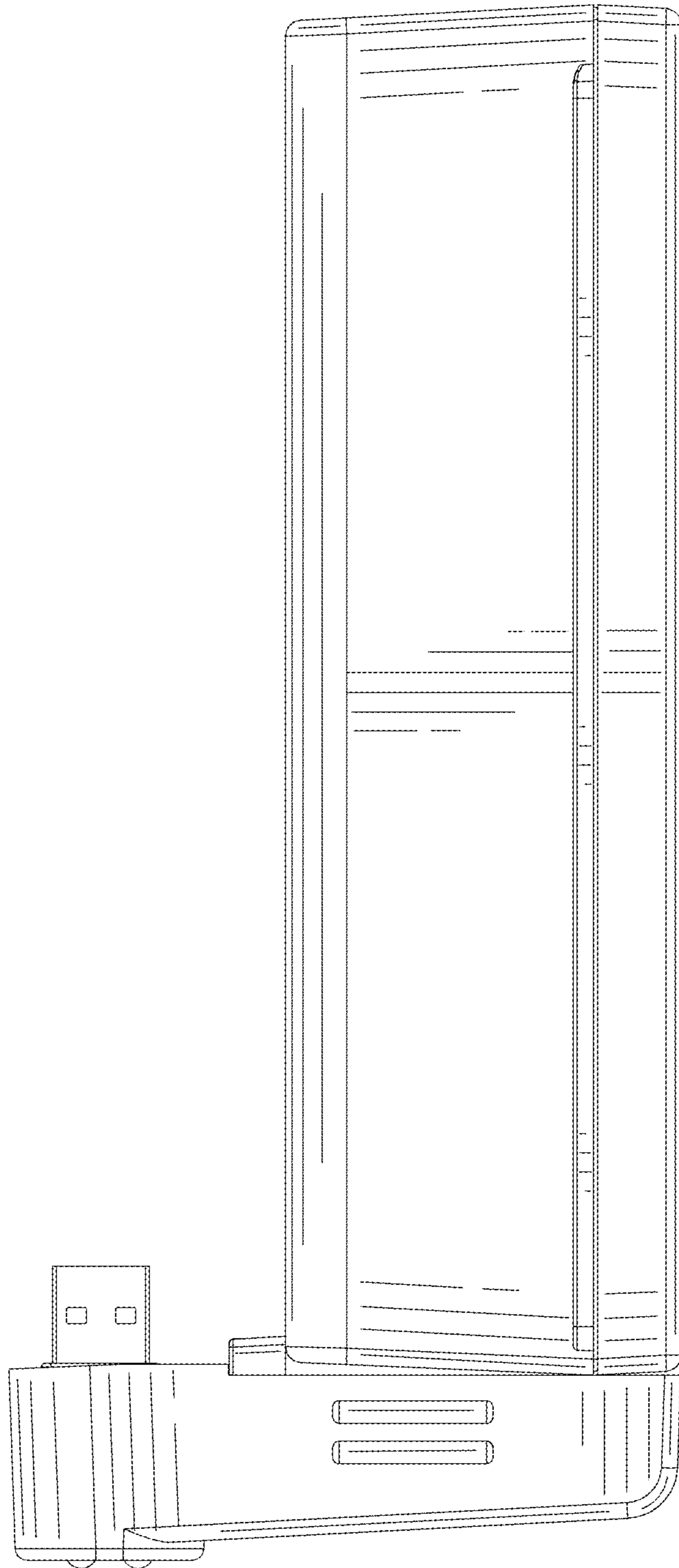


FIG. 6

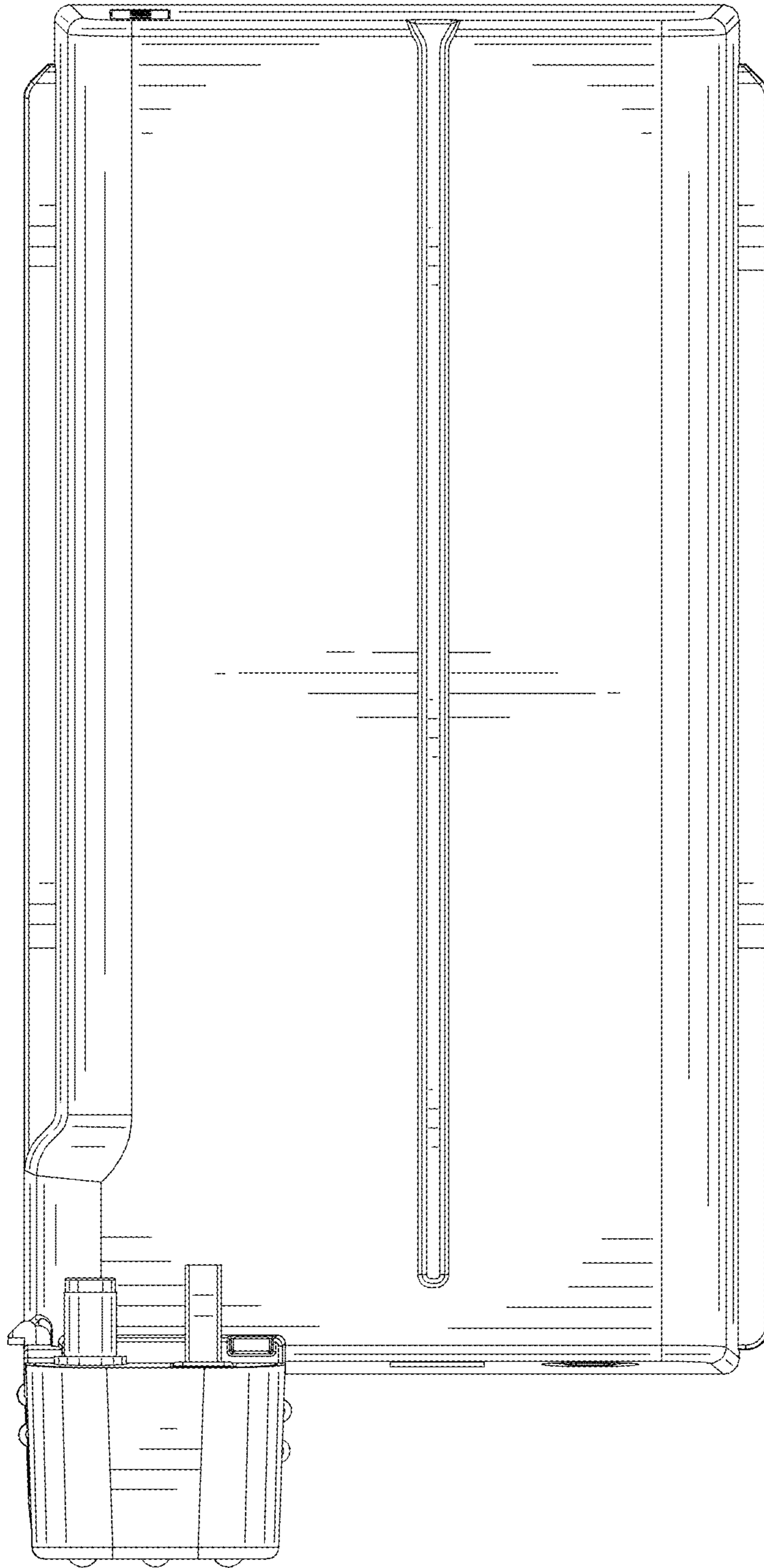


FIG. 7

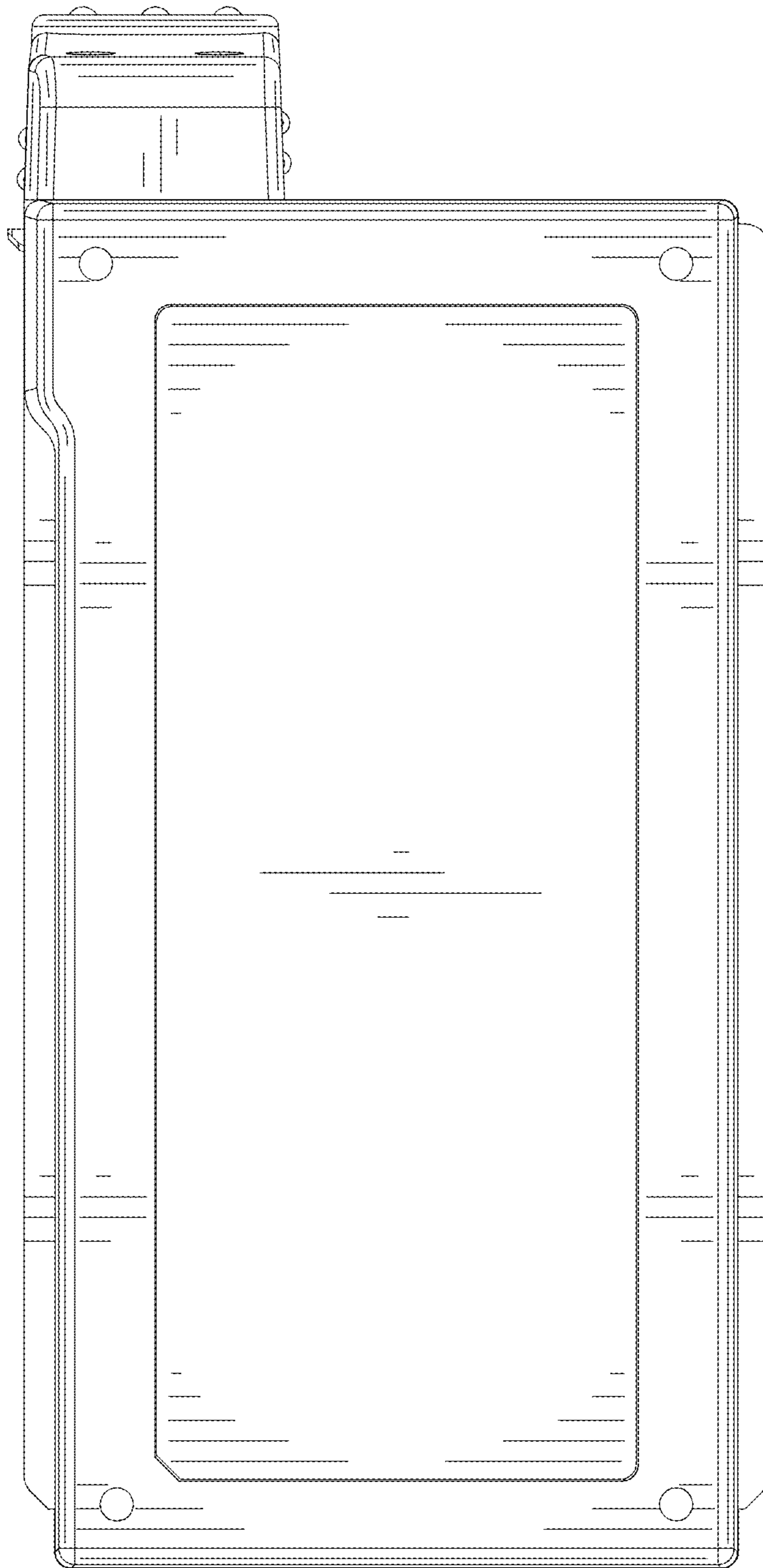


FIG. 8