



US00D893398S

(12) **United States Design Patent**
Wu

(10) **Patent No.:** **US D893,398 S**

(45) **Date of Patent:** **** Aug. 18, 2020**

(54) **VEHICLE WIRELESS CHARGER**

D873,214 S * 1/2020 Wu D13/108
D873,215 S * 1/2020 Wu D13/108

(71) Applicant: **Che-Min Wu**, Torrance, CA (US)

* cited by examiner

(72) Inventor: **Che-Min Wu**, Torrance, CA (US)

Primary Examiner — Abraham Bahta

(**) Term: **15 Years**

(74) *Attorney, Agent, or Firm* — Che-Yang Chen; Law Office of Michael Chen

(21) Appl. No.: **29/653,608**

(22) Filed: **Jun. 16, 2018**

(57) **CLAIM**

(51) **LOC (12) Cl.** **12-16**

The ornamental design for a vehicle wireless charger, as shown and described.

(52) **U.S. Cl.**

USPC **D12/415**

(58) **Field of Classification Search**

DESCRIPTION

USPC D12/415, 417, 420, 177, 182, 192, 220,
D12/223, 191, 195, 345, 400, 114, 106,
D12/96; D13/107–110, 118–119, 184;
D14/251, 253, 432, 434, 447; 296/70,
296/24.3, 37.18

FIG. 1 is a perspective view of the vehicle wireless charger showing my new design;
FIG. 2 is a front elevational view thereof;
FIG. 3 is a rear elevational view thereof;
FIG. 4 is a left side elevational view thereof;
FIG. 5 is a right side elevational view thereof;
FIG. 6 is a top plan view thereof; and,
FIG. 7 is a bottom plan view thereof.

CPC B60R 21/045; B60R 7/06; B60R 7/00;
B60R 2300/20; B60R 2300/205; B60R
2300/207; B60K 37/00; B60K 37/04

See application file for complete search history.

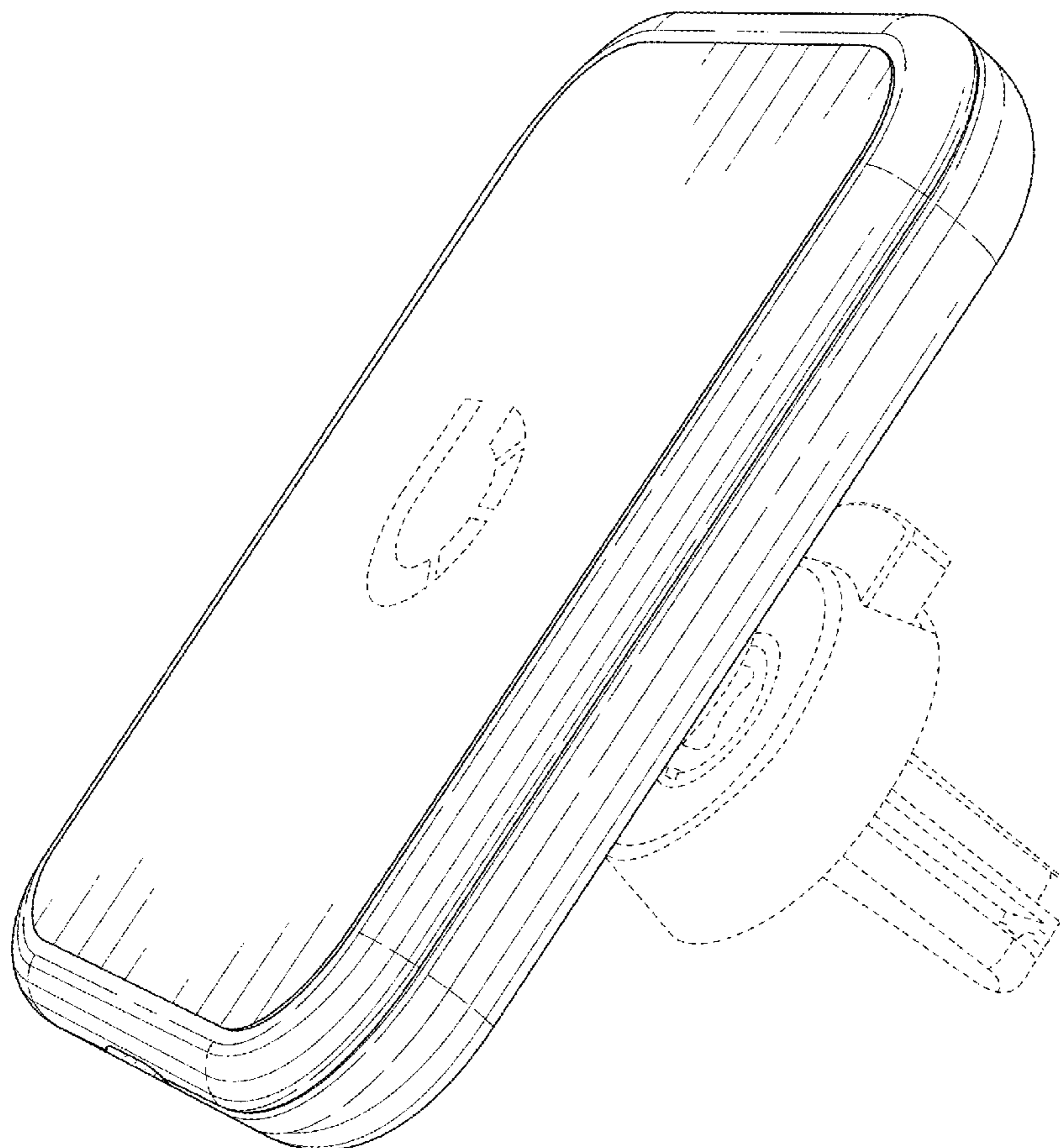
The broken line showing of portions of the vehicle wireless charger is included for the purpose of illustrating environmental structure and forms no part of the claimed design.

(56) **References Cited**

U.S. PATENT DOCUMENTS

D873,213 S * 1/2020 Wu D13/108

1 Claim, 7 Drawing Sheets



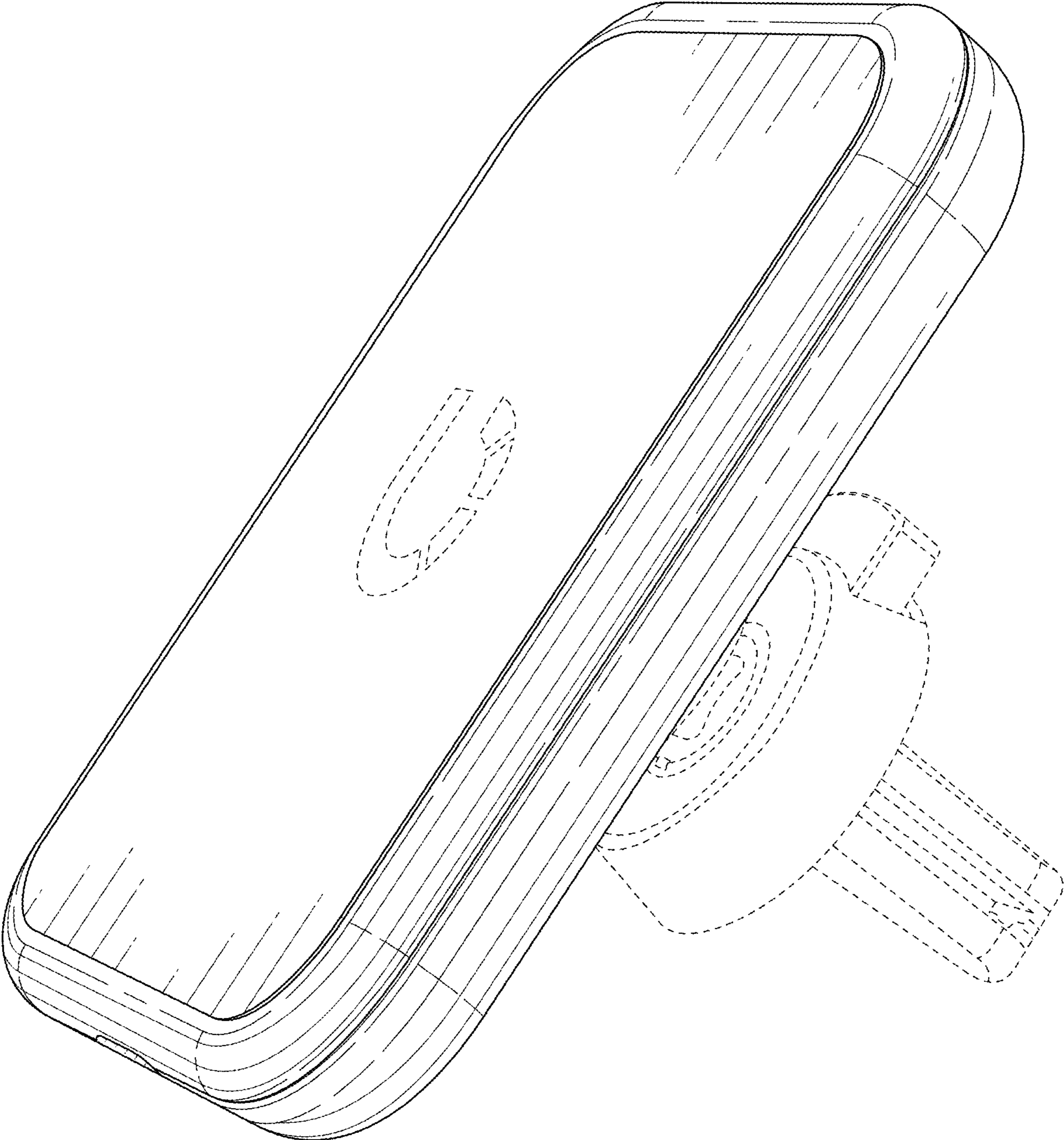


FIG. 1

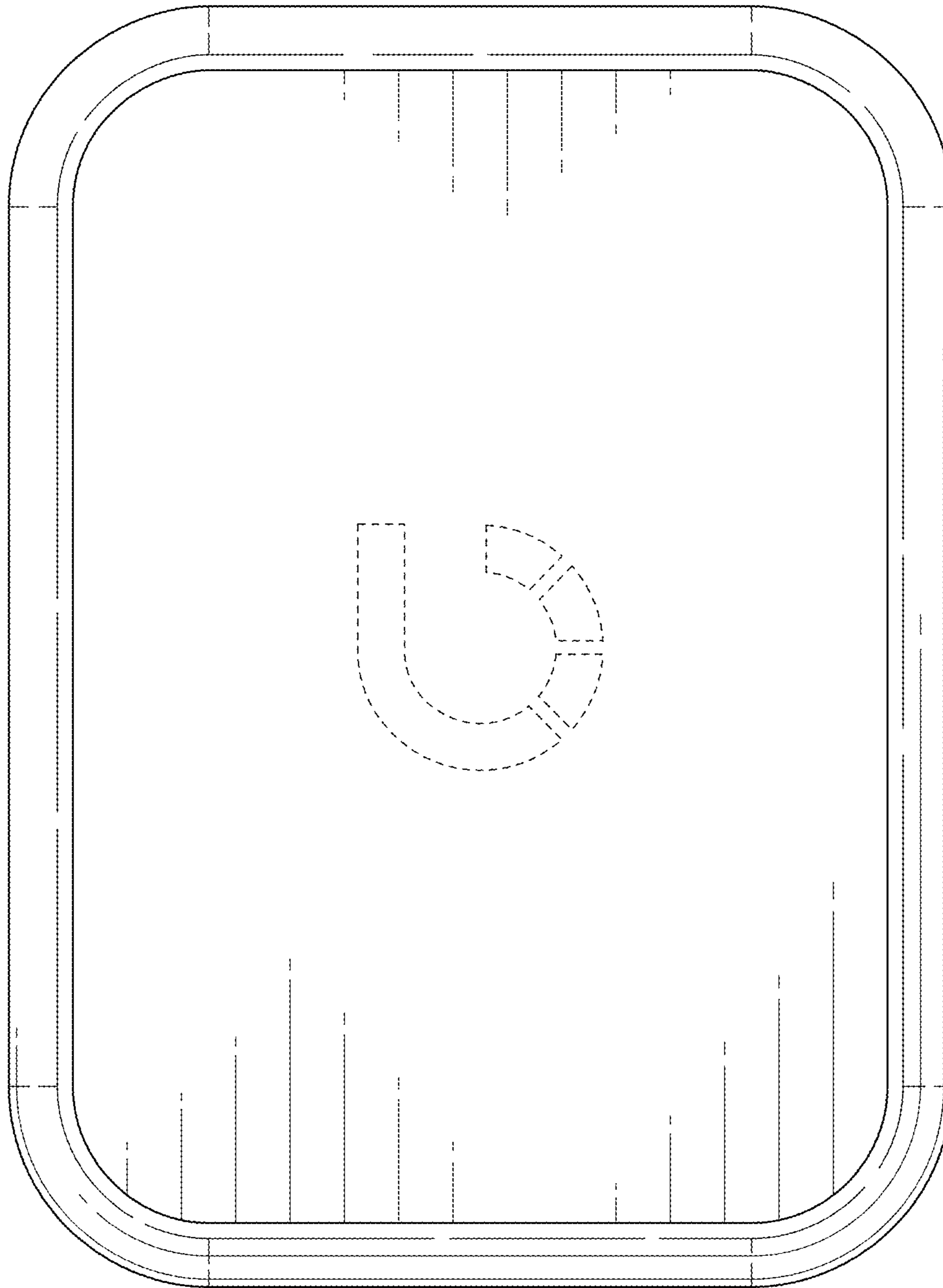


FIG. 2

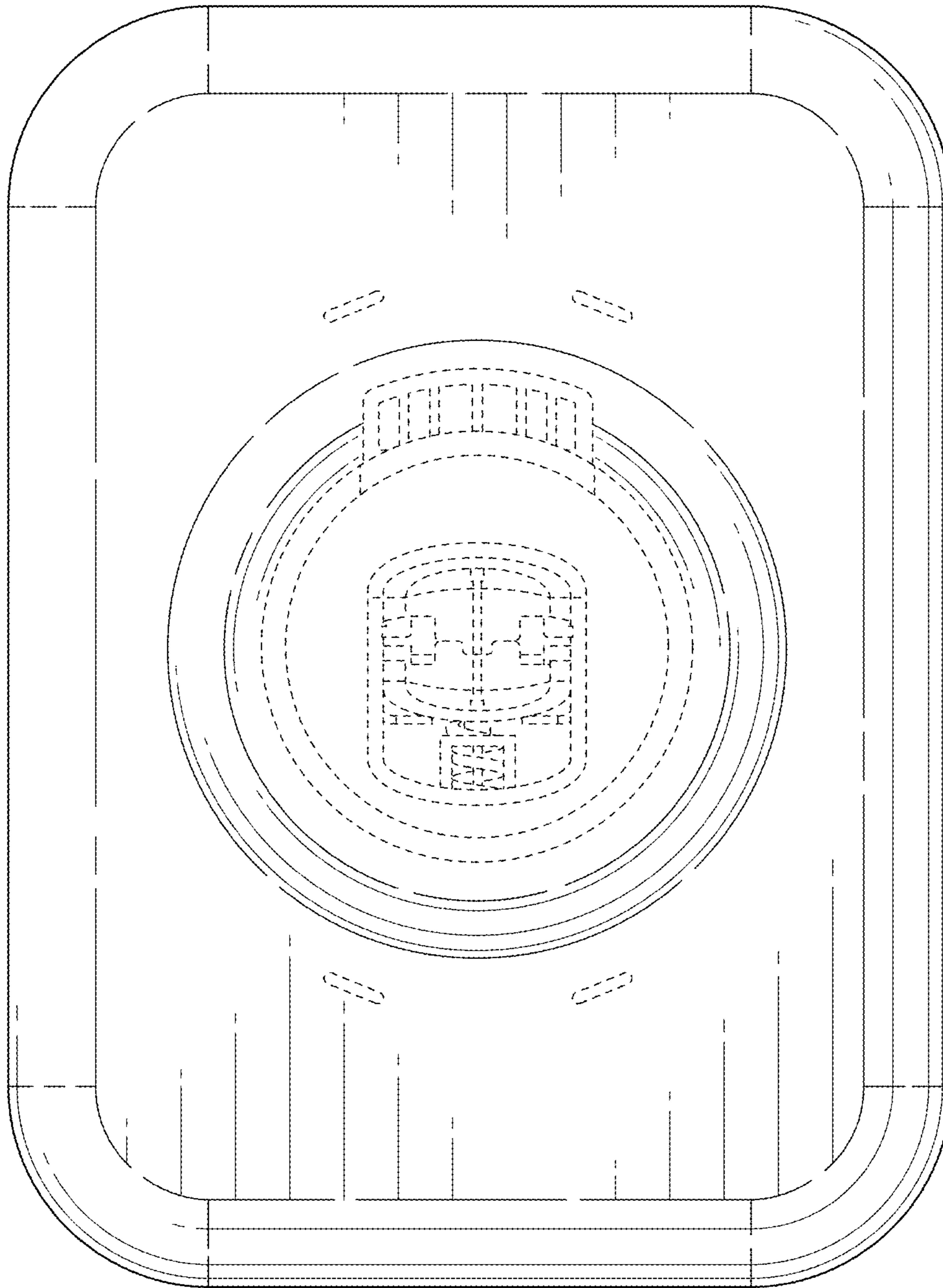


FIG. 3

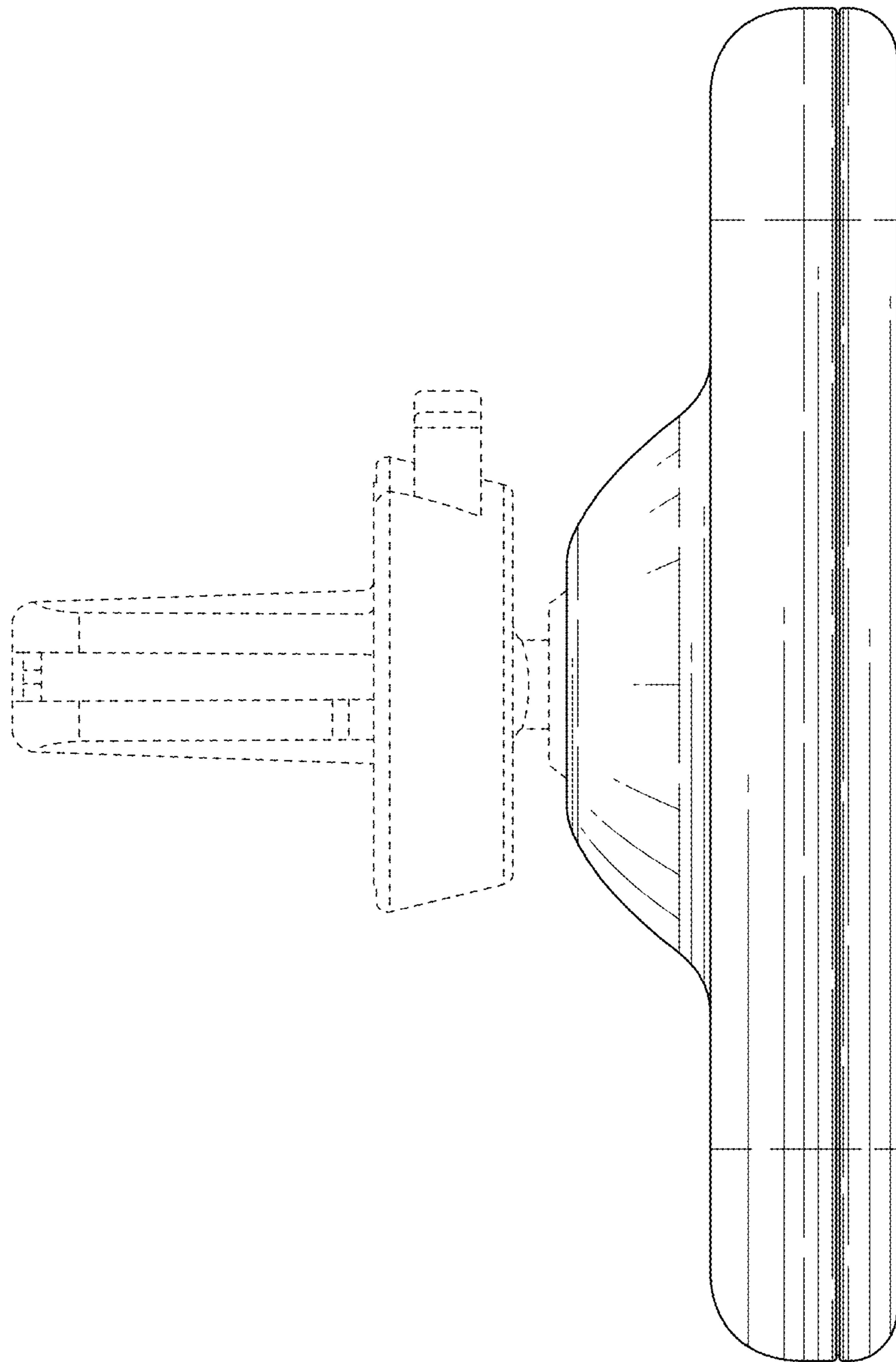


FIG. 4

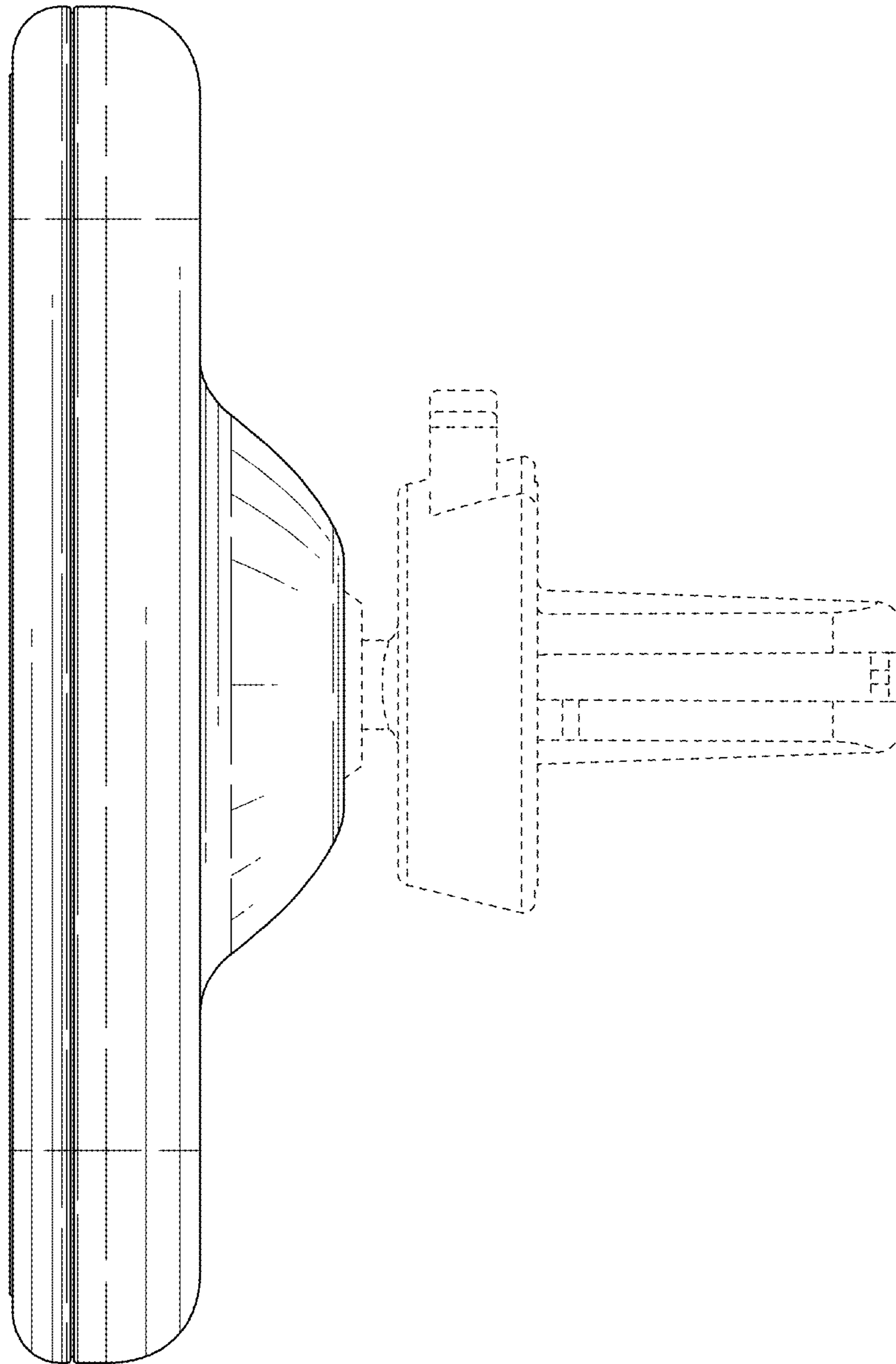


FIG. 5

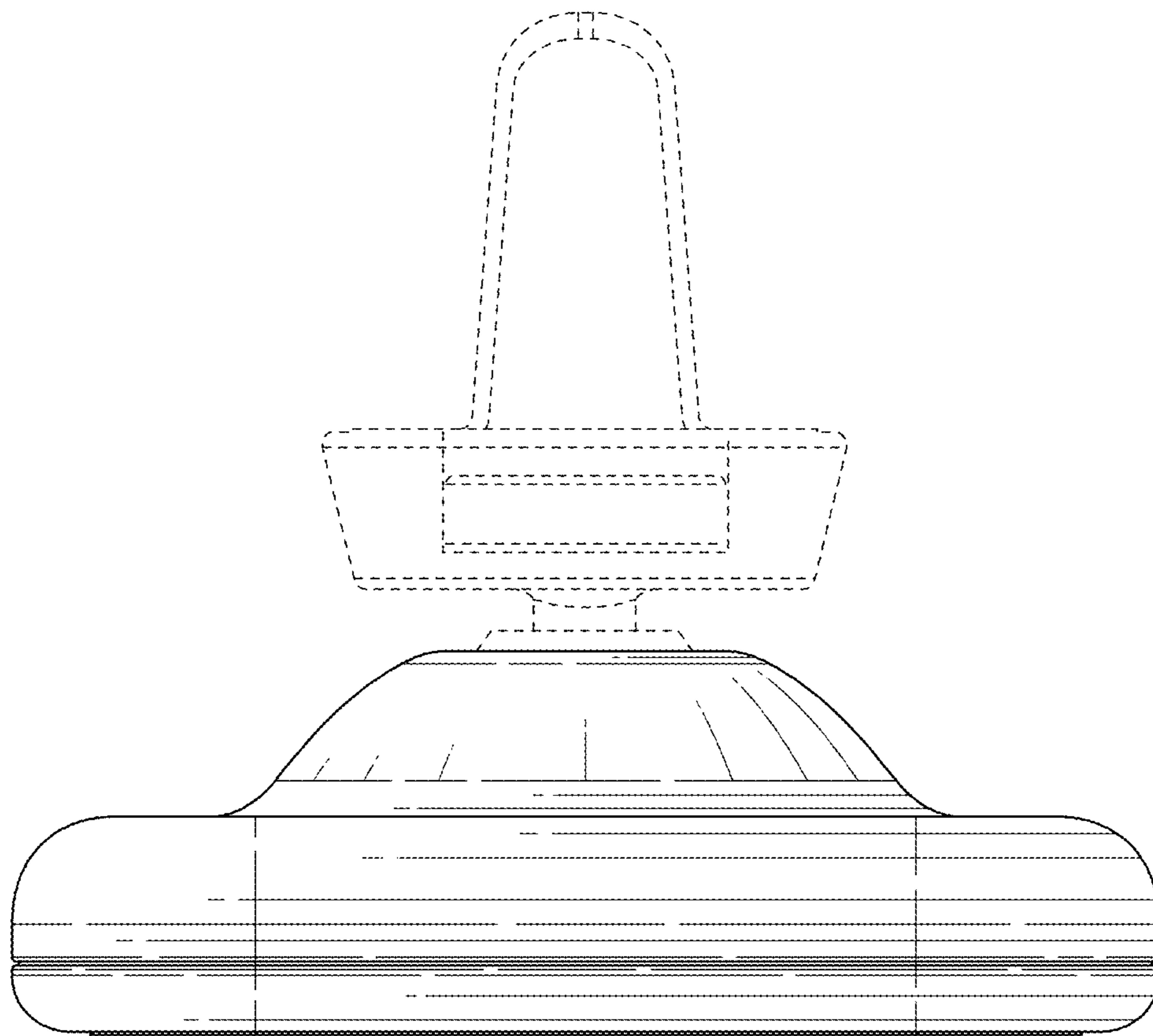


FIG. 6

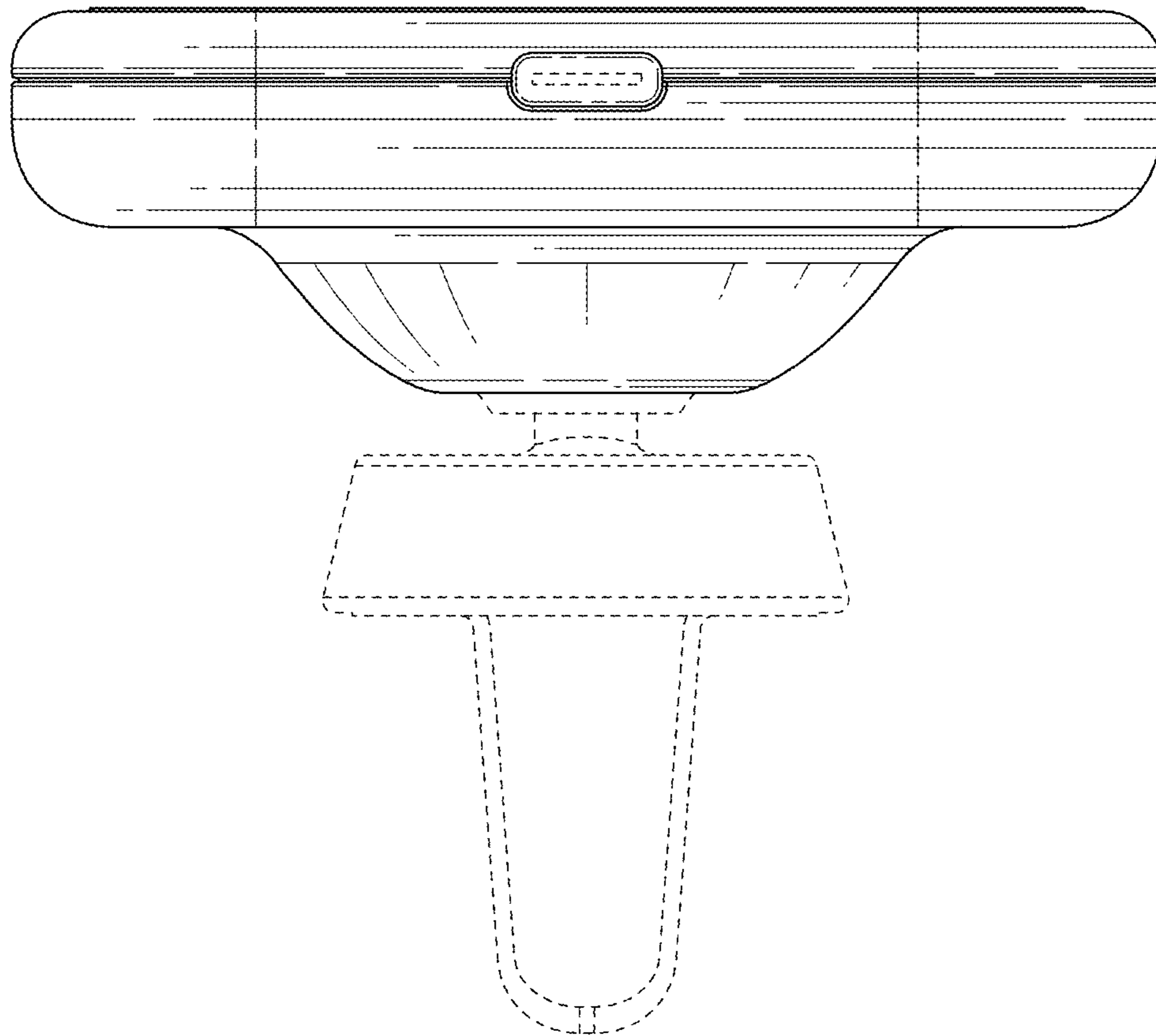


FIG. 7