



US00D893395S

(12) **United States Design Patent**
Spendlove

(10) **Patent No.:** **US D893,395 S**

(45) **Date of Patent:** **** Aug. 18, 2020**

(54) **WAKESURF DIVERTER**

(71) Applicant: **Jared Spendlove**, South Weber, UT
(US)

(72) Inventor: **Jared Spendlove**, South Weber, UT
(US)

(**) Term: **15 Years**

(21) Appl. No.: **29/691,371**

(22) Filed: **May 15, 2019**

Related U.S. Application Data

(63) Continuation of application No. 16/358,594, filed on
Mar. 19, 2019.

(51) **LOC (12) Cl.** **12-06**

(52) **U.S. Cl.**
USPC **D12/317**

(58) **Field of Classification Search**
USPC D12/300, 317, 318
CPC A63B 69/00; B63C 11/46; B63B 1/16;
B63B 1/20; B63B 1/22; B63B 1/32
See application file for complete search history.

(56) **References Cited**

U.S. PATENT DOCUMENTS

7,004,097	B2 *	2/2006	Zeromski	B63B 7/082
					114/285
8,539,897	B1 *	9/2013	Gaspar	B63B 34/75
					114/284
8,578,873	B2 *	11/2013	Gaspar	B63B 32/70
					114/284
8,833,286	B1 *	9/2014	Sheedy	B63B 34/75
					114/285
9,422,028	B2 *	8/2016	Wilhelm	B63B 1/32
9,802,684	B2 *	10/2017	Sheedy	B63B 32/70

9,834,280	B1 *	12/2017	Wilmoth	B63B 1/32
9,889,909	B2 *	2/2018	Morgan	B63B 1/242
9,891,620	B2 *	2/2018	Green	G05D 1/0033
9,914,503	B2 *	3/2018	Huyge	B63B 34/75
9,914,509	B1 *	3/2018	Tegeeder	B63B 32/70
9,988,126	B2 *	6/2018	Wood	B63B 1/22
10,059,404	B2 *	8/2018	Clover	B63B 32/70
10,179,268	B2 *	1/2019	Fossum	A63B 60/00
10,183,726	B1 *	1/2019	McNaughton	B63B 1/32
10,358,189	B2 *	7/2019	Sheedy	B63B 1/286
D860,108	S *	9/2019	McNaughton	D12/317
D864,838	S *	10/2019	Clover	D12/317
2004/0261684	A1 *	12/2004	Pigeon	B63B 39/061
					114/285
2014/0261135	A1 *	9/2014	Gaspar	B63H 25/38
					114/284
2016/0009342	A1 *	1/2016	Thomas	B63B 34/60
					114/271

* cited by examiner

Primary Examiner — Cynthia M. Chin

(74) *Attorney, Agent, or Firm* — David A. Jones; Alpine
IP PLLC

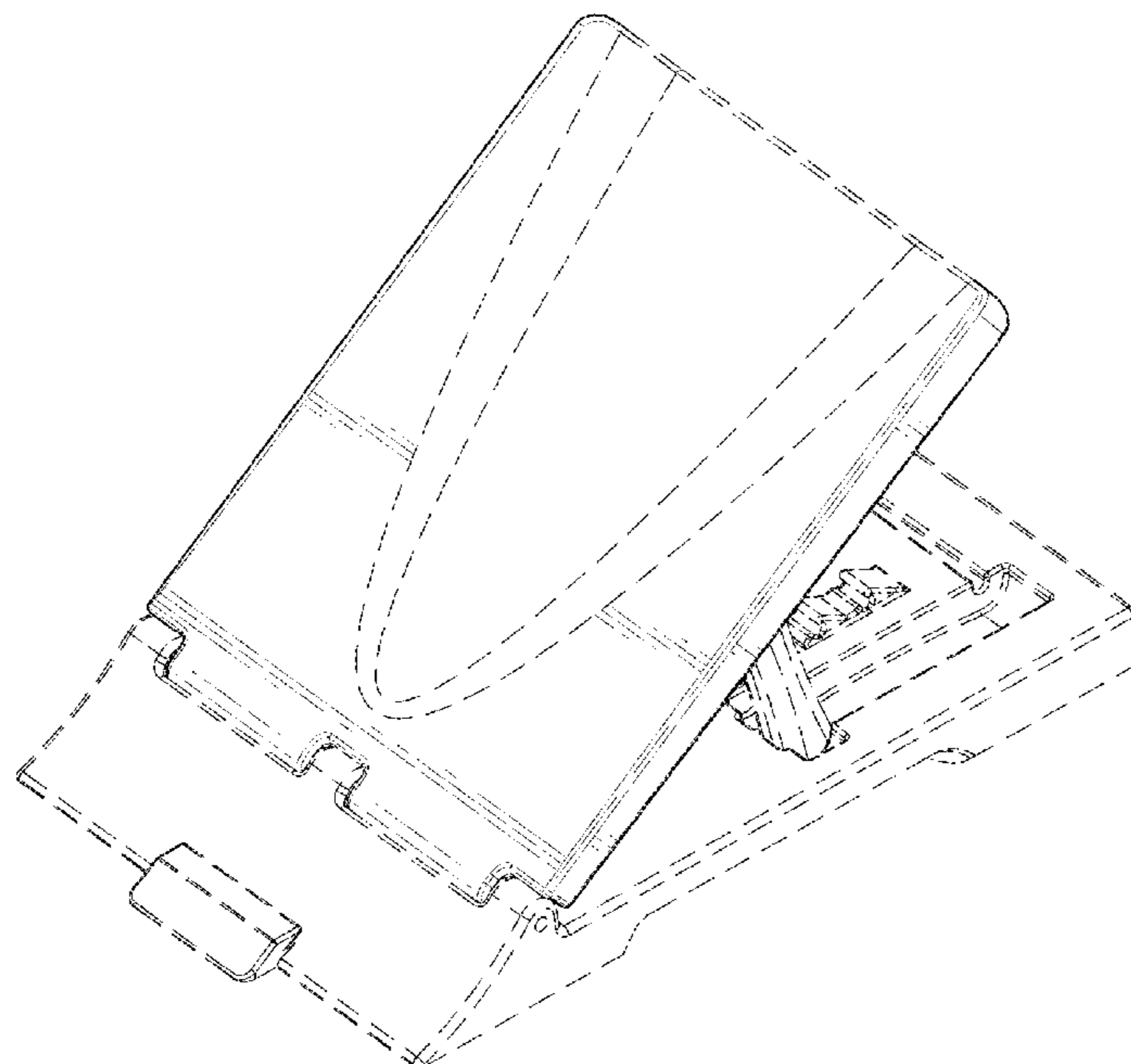
(57) **CLAIM**

The ornamental design for a wakesurf diverter, as shown and
described.

DESCRIPTION

FIG. 1 is a front perspective view of the wake diverter in
accordance with the present invention;
FIG. 2 is a right side view thereof, the left side being
identical to the right side;
FIG. 3 is a front view thereof;
FIG. 4 is a rear view thereof; and,
FIG. 5 is a rear perspective view thereof.
The broken lines are for the purpose of illustrating portions
of the article that form no part of the claimed design.

1 Claim, 5 Drawing Sheets



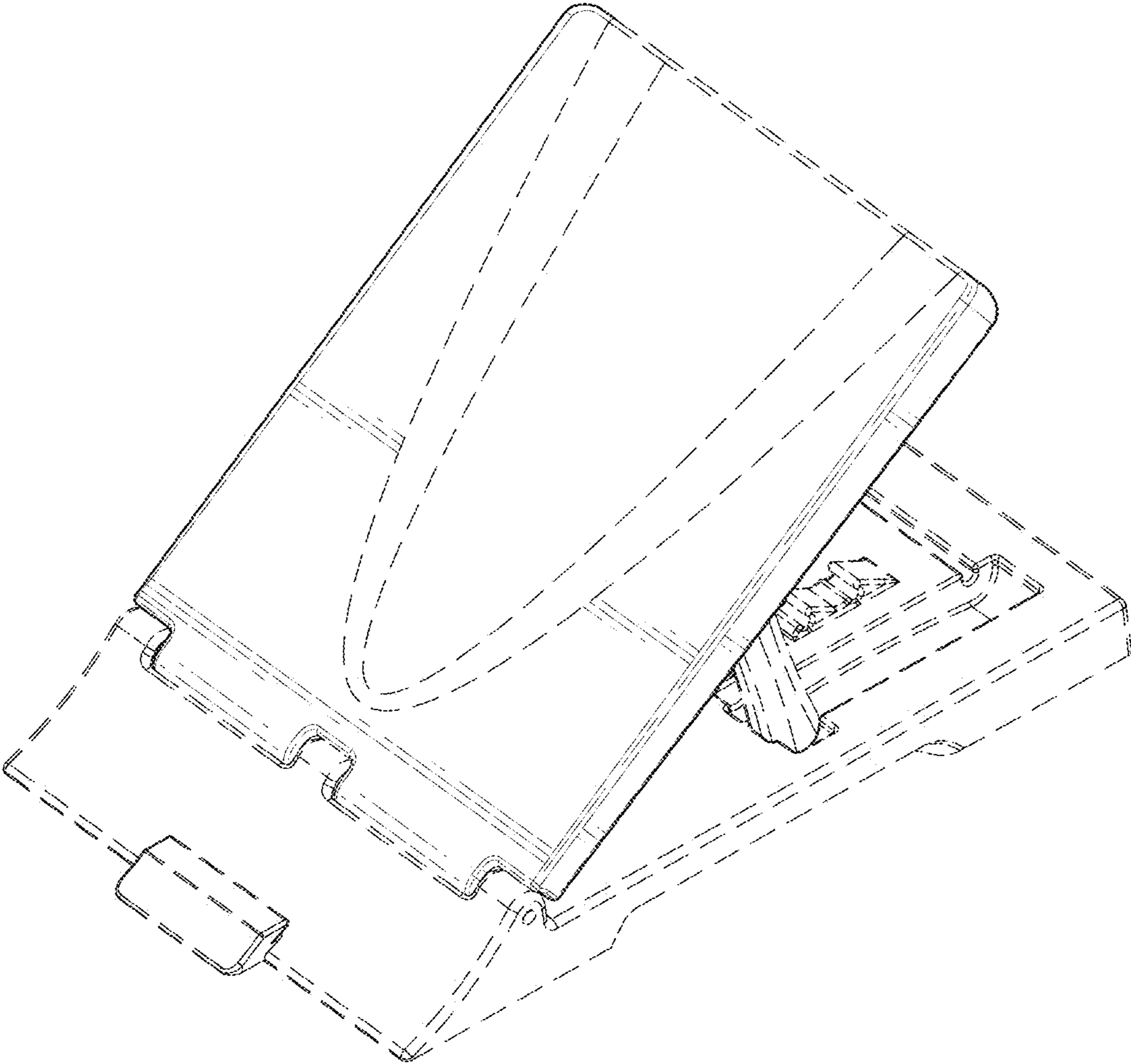


FIG. 1

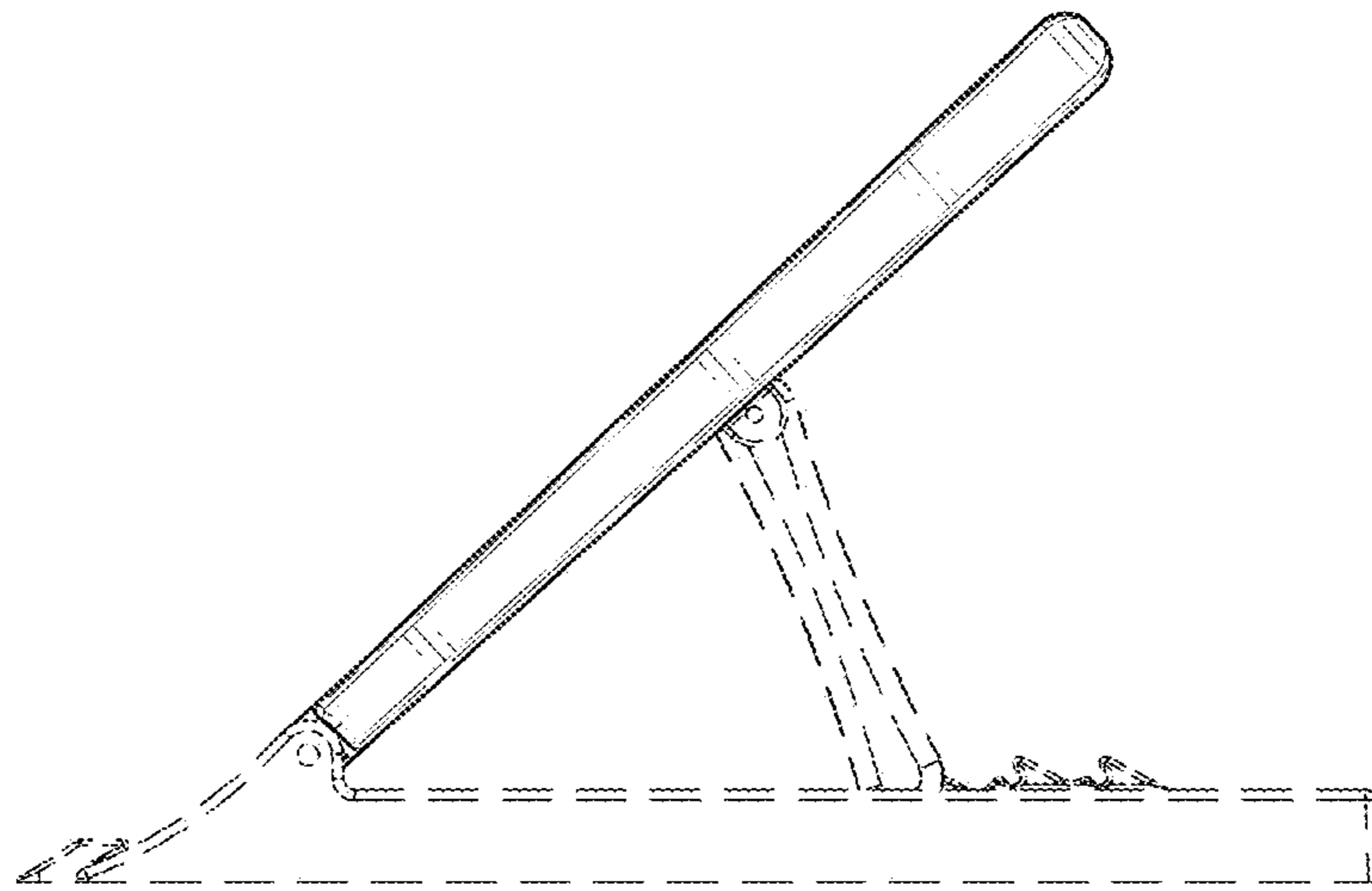


FIG. 2

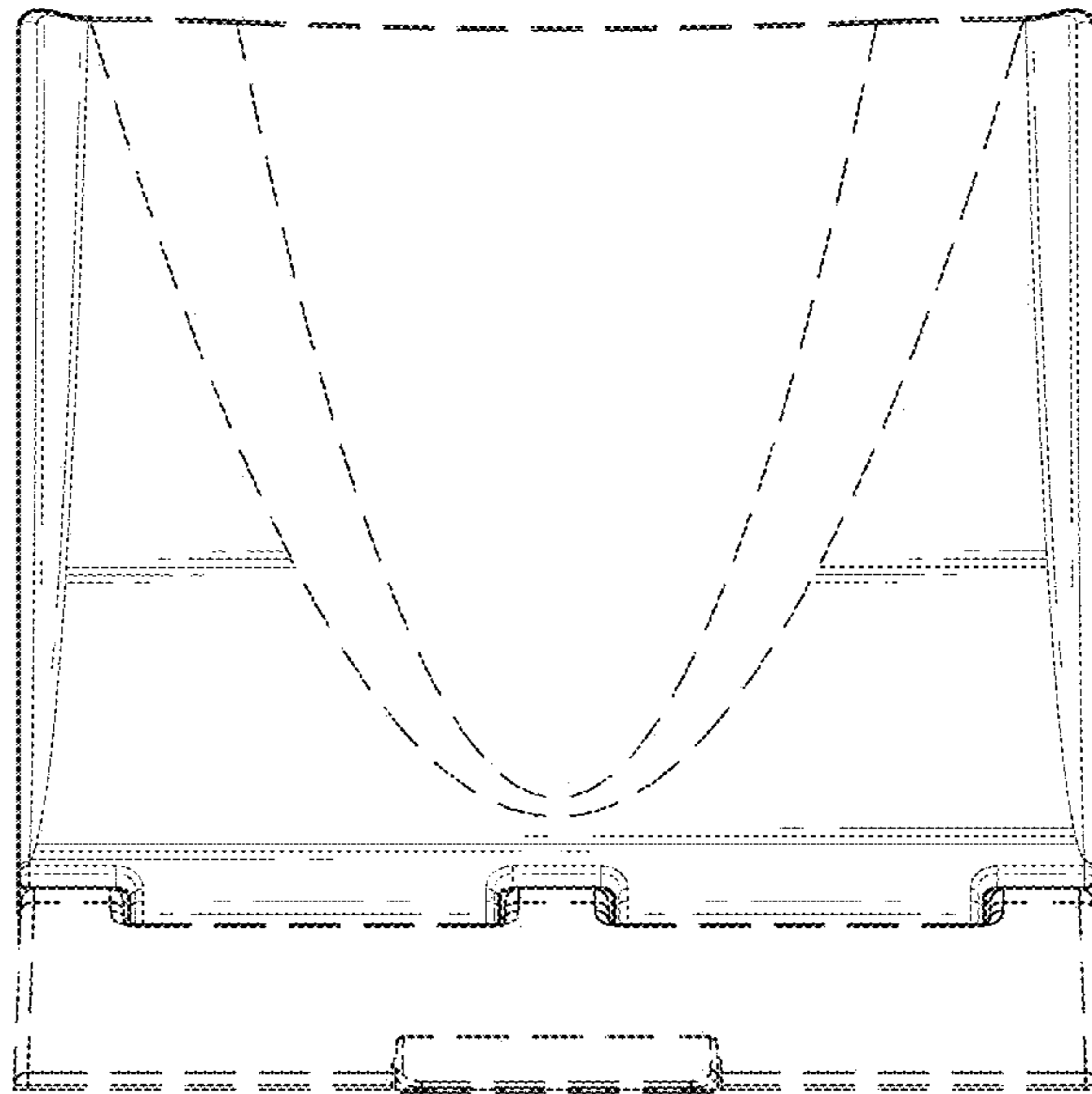


FIG. 3

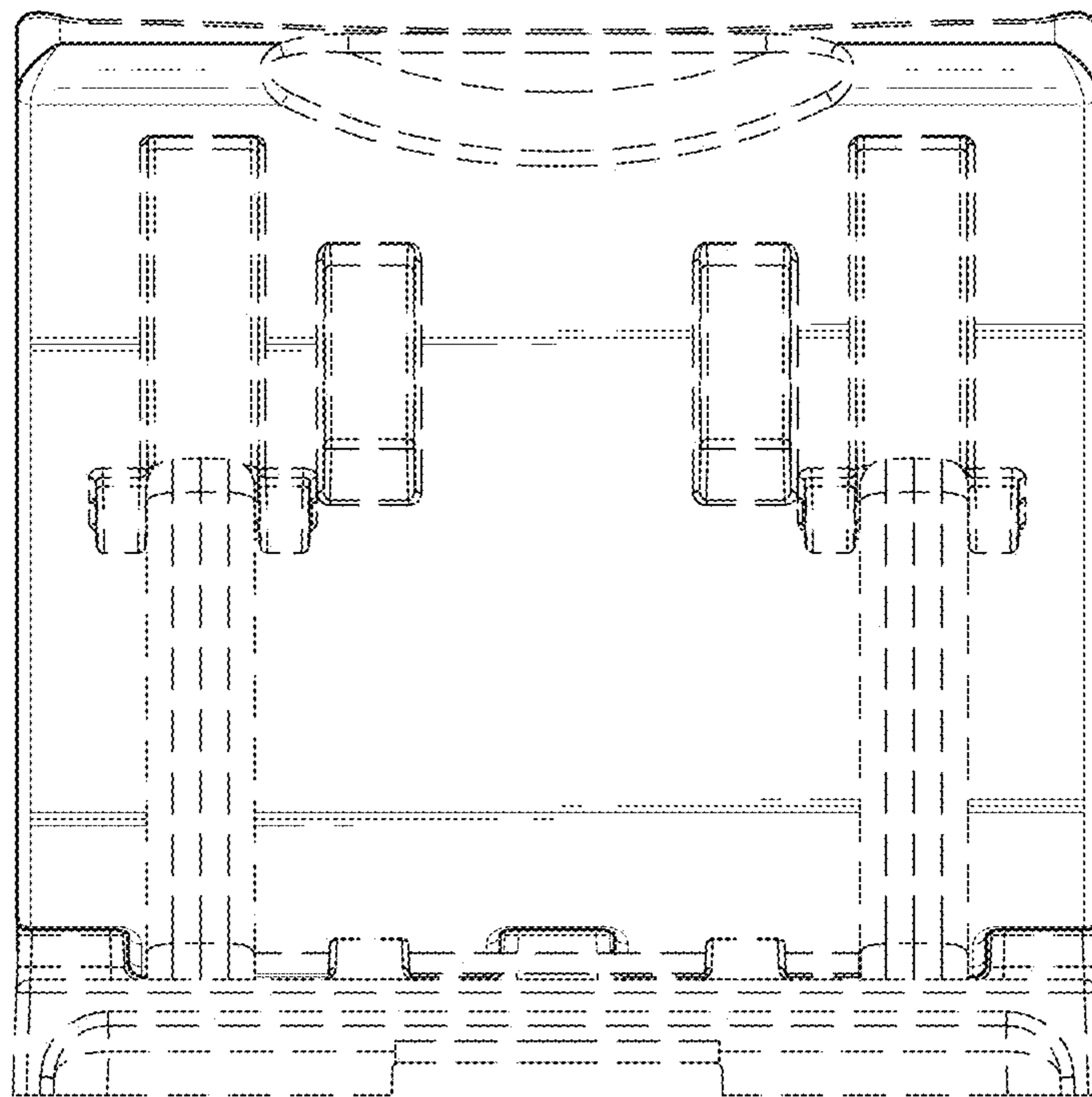


FIG. 4

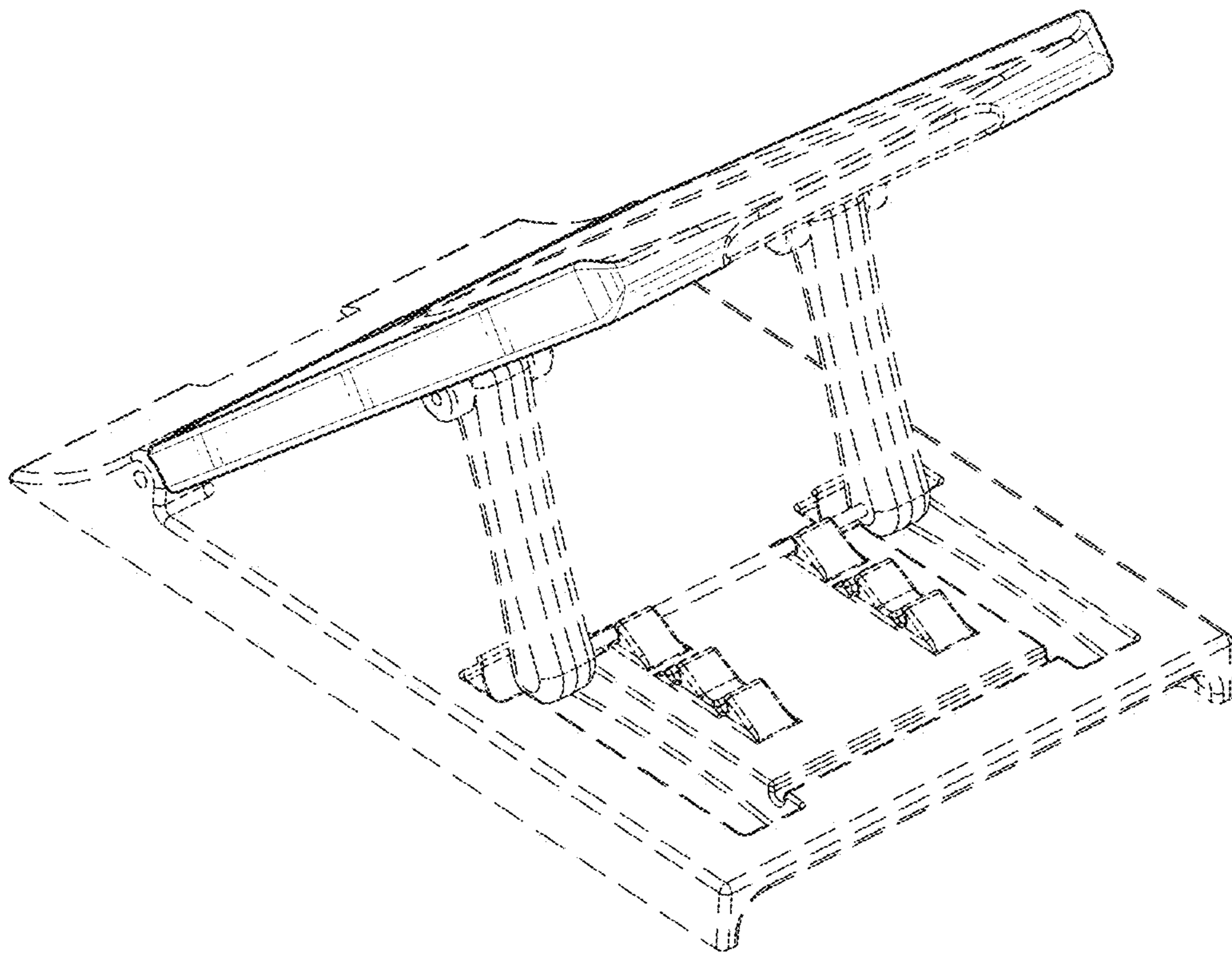


FIG. 5