



US00D893394S

(12) **United States Design Patent** (10) **Patent No.:** **US D893,394 S**  
**Roy** (45) **Date of Patent:** **\*\* Aug. 18, 2020**

(54) **ROLL CAGE FOR ALL TERRAIN VEHICLE**

(71) Applicant: **RufDiamond Ltd.**, Coniston (CA)

(72) Inventor: **Michael Roy**, Verner (CA)

(73) Assignee: **RUFDIAMOND LTD.**, Coniston (CA)

(\*\*) Term: **15 Years**

(21) Appl. No.: **29/694,678**

(22) Filed: **Jun. 12, 2019**

(30) **Foreign Application Priority Data**

Dec. 18, 2018 (CA) ..... 185300

(51) **LOC (12) Cl.** ..... **12-16**

(52) **U.S. Cl.**  
USPC ..... **D12/222**

(58) **Field of Classification Search**  
USPC ..... D12/22, 223, 86, 400, 401, 404, 406,  
D12/412, 414, 93, 101; D6/552  
CPC ..... B60R 27/00; B60J 1/06  
See application file for complete search history.

(56) **References Cited**

**U.S. PATENT DOCUMENTS**

D262,790 S *	1/1982	Bernier	.....	D12/222
D305,111 S *	12/1989	Zagner	.....	D12/412
D318,447 S *	7/1991	Haugen	.....	D12/412
D332,239 S *	1/1993	Hirata	.....	D12/1
6,189,962 B1 *	2/2001	Henderson	.....	B60J 7/11 280/756
D493,848 S *	8/2004	Dunst	.....	D21/562
D500,707 S *	1/2005	Lu	.....	D12/87
D503,658 S *	4/2005	Lu	.....	D12/87
D513,223 S *	12/2005	Saito	.....	D12/14
7,249,798 B2 *	7/2007	Saito	.....	B60N 2/3075 296/205
D605,555 S *	12/2009	Tanaka	.....	D12/14
D606,900 S *	12/2009	Flores	.....	D12/87

D621,328 S *	8/2010	Sistare	.....	D12/222
7,950,486 B2 *	5/2011	Van Bronkhorst	..	B60G 15/063 180/89.11
D655,236 S *	3/2012	Sanschagrin	.....	D12/222
D700,869 S *	3/2014	Sato	.....	D12/14
D703,102 S *	4/2014	Eck	.....	D12/87
D712,311 S *	9/2014	Morgan	.....	D12/87
D719,061 S *	12/2014	Tandrup	.....	D12/87
D737,724 S *	9/2015	Schroeder	.....	D12/14
D761,713 S *	7/2016	Hensley	.....	D12/222
D766,157 S *	9/2016	Reynolds	.....	D12/222

(Continued)

**OTHER PUBLICATIONS**

E-Maxx 3908 3903 Polished Stainless Steel Full Roll Cage by RC Raven, Amazon.com, Reviewed on Oct. 12, 2016, [online], [site visited Jun. 5, 2020]. <URL: <https://www.amazon.com/Maxx-Polished-Stainless-RC-Raven/dp/B007FSBP22>> (Year: 2016).\*

(Continued)

*Primary Examiner* — T Chase Nelson  
*Assistant Examiner* — Jonathan J. Han  
(74) *Attorney, Agent, or Firm* — Neal, Gerber & Eisenberg LLP

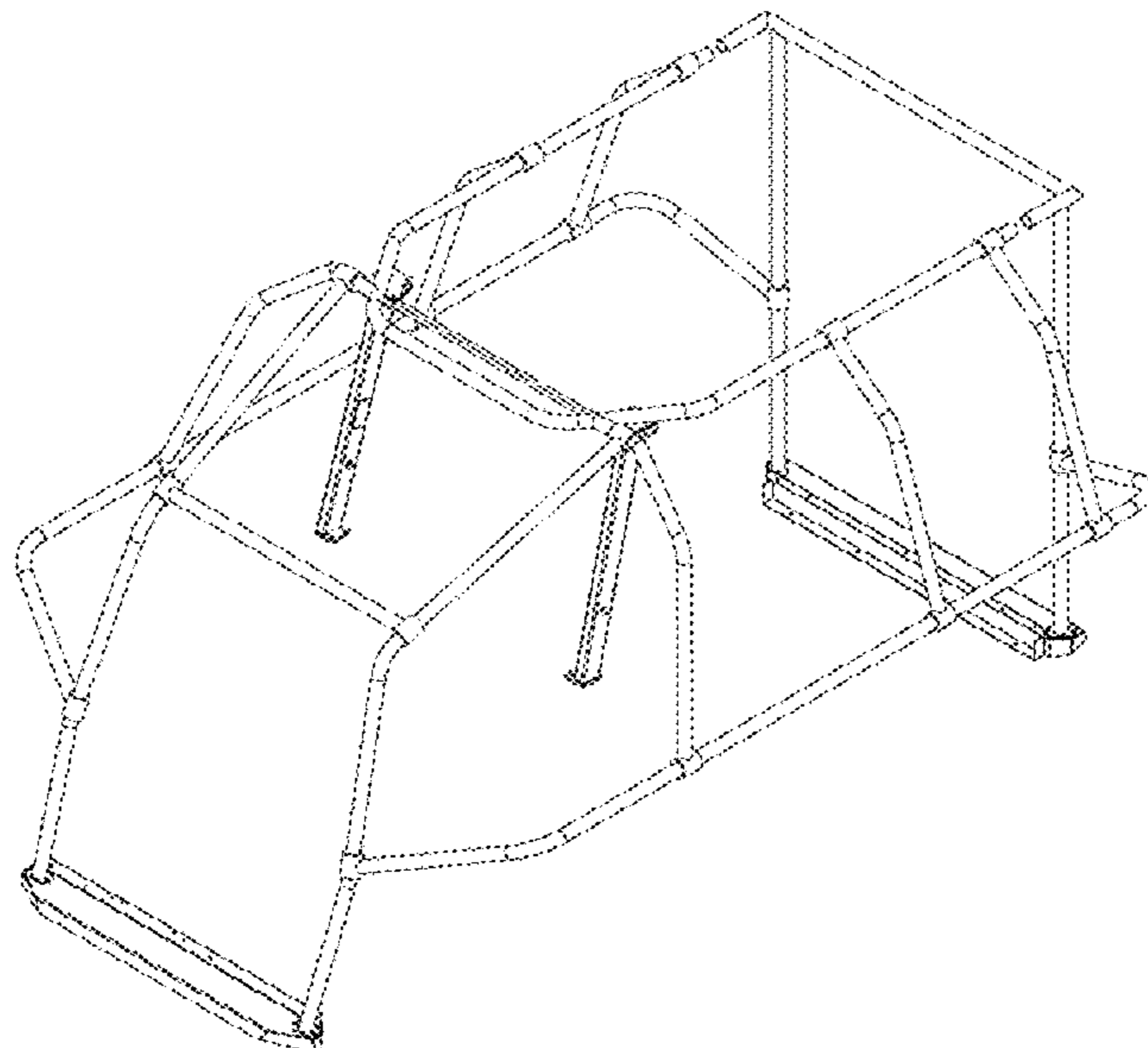
(57) **CLAIM**

The ornamental design for the roll cage for all terrain vehicle, as shown and described.

**DESCRIPTION**

FIG. 1 is a top view of a roll cage for all terrain vehicle showing the new design.  
FIG. 2 is a front perspective view thereof.  
FIG. 3 is a left view thereof.  
FIG. 4 is a front view thereof.  
FIG. 5 is a right view thereof.  
FIG. 6 is a rear view thereof; and,  
FIG. 7 is a bottom view thereof.

**1 Claim, 7 Drawing Sheets**



(56)

**References Cited**

U.S. PATENT DOCUMENTS

D781,207 S \* 3/2017 Johnson ..... D12/222  
D783,502 S \* 4/2017 Hensley ..... D12/222  
D783,503 S \* 4/2017 Hensley ..... D12/222  
D809,996 S \* 2/2018 Lee ..... D12/406  
D810,148 S \* 2/2018 Loew ..... D15/28  
D816,009 S \* 4/2018 Reynolds ..... D12/222  
D826,831 S \* 8/2018 Eck ..... D12/222  
D869,370 S \* 12/2019 Mikhailov ..... D12/222  
D869,993 S \* 12/2019 Sagen ..... D12/101  
D881,786 S \* 4/2020 Ajam ..... D12/222  
2010/0314191 A1 \* 12/2010 Deckard ..... B60R 21/13  
180/312  
2012/0193163 A1 \* 8/2012 Wimpfheimer ..... B62D 21/183  
180/233

OTHER PUBLICATIONS

Jeep TJ Laser Notched Full Roll Cage Kit, RjmotorSports.com, [online], [site visited Jun. 5, 2020]. <URL: <https://rjdmotorsports.com/roll-cages/jeep-tj-laser-notched-full-roll-cage-kit>> (Year: 2020).\*

Alston Racing 12-Point Roll Cages AL-101332, SummitRacing.com, [online], [site visited Jun. 5, 2020]. <URL: <https://www.summitracing.com/parts/arh-al-101332>> (Year: 2020).\*

\* cited by examiner

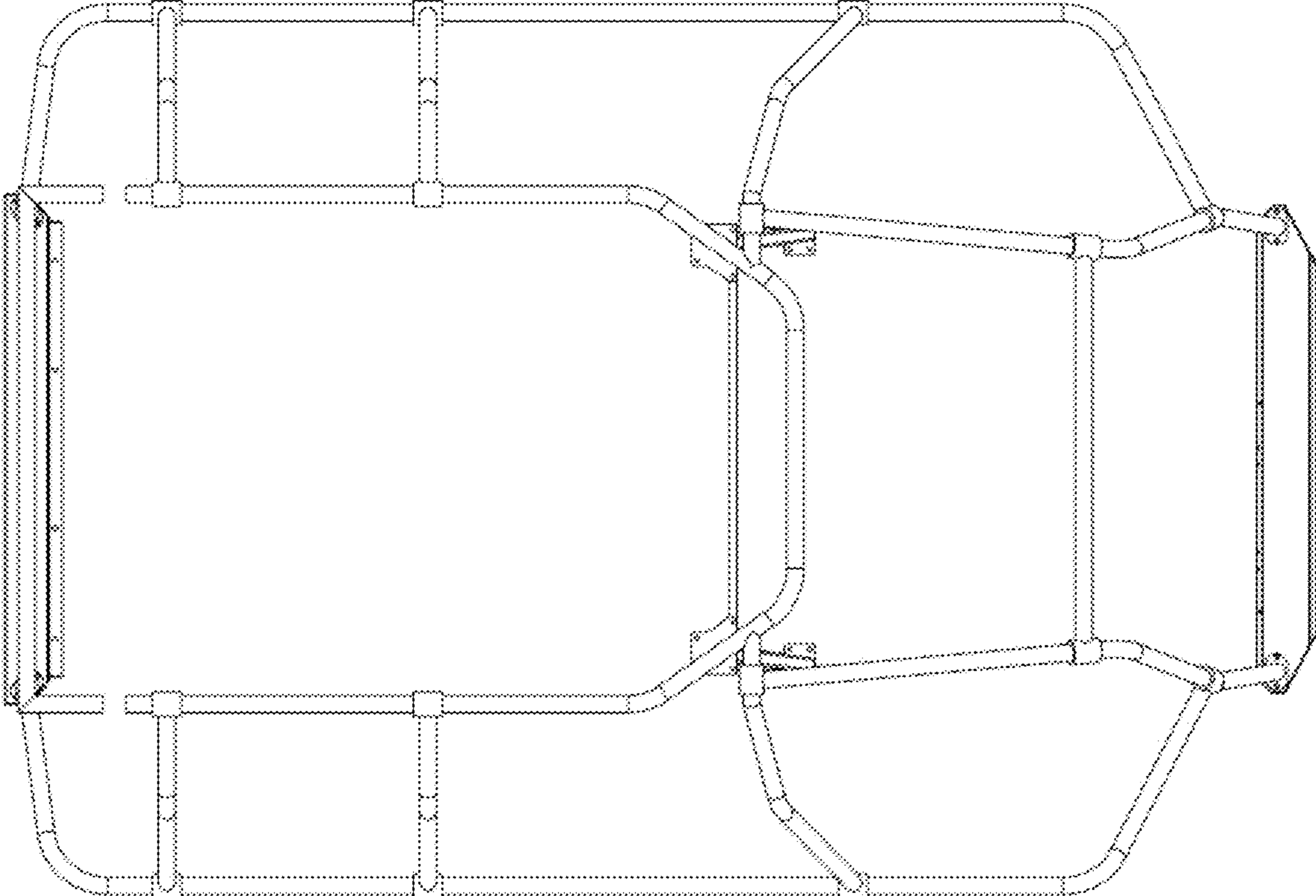


FIG. 1

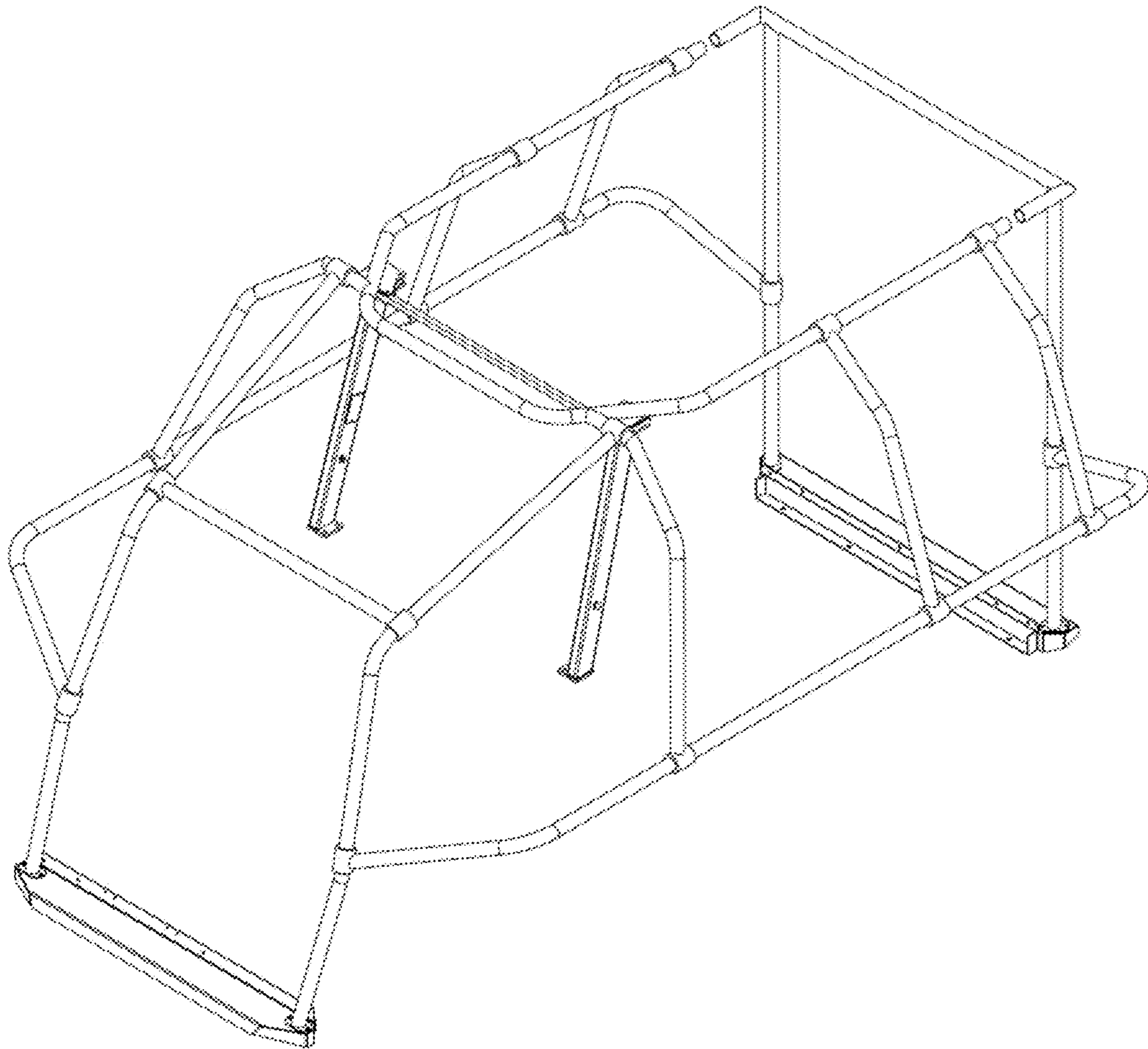


FIG. 2

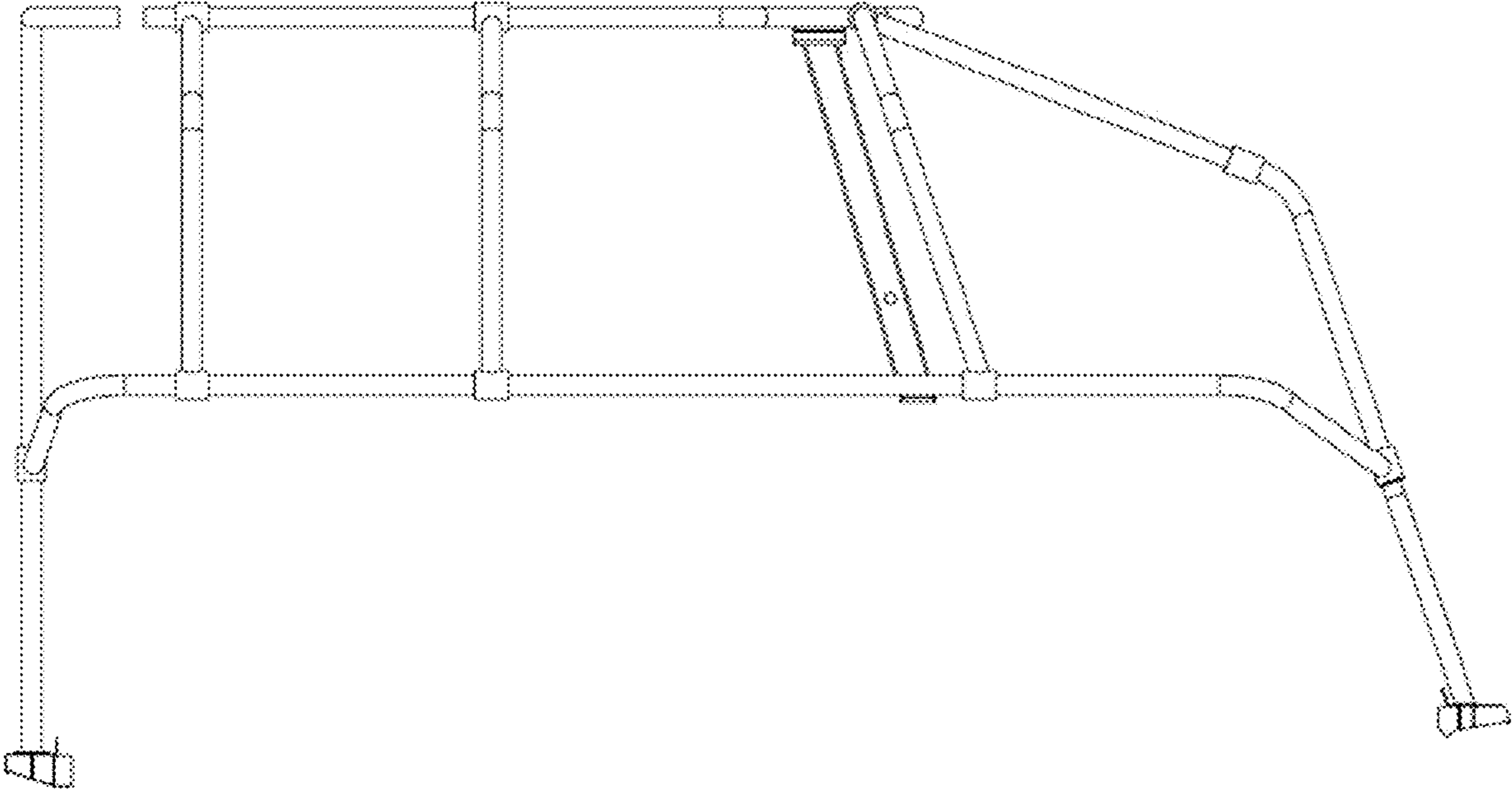


FIG. 3

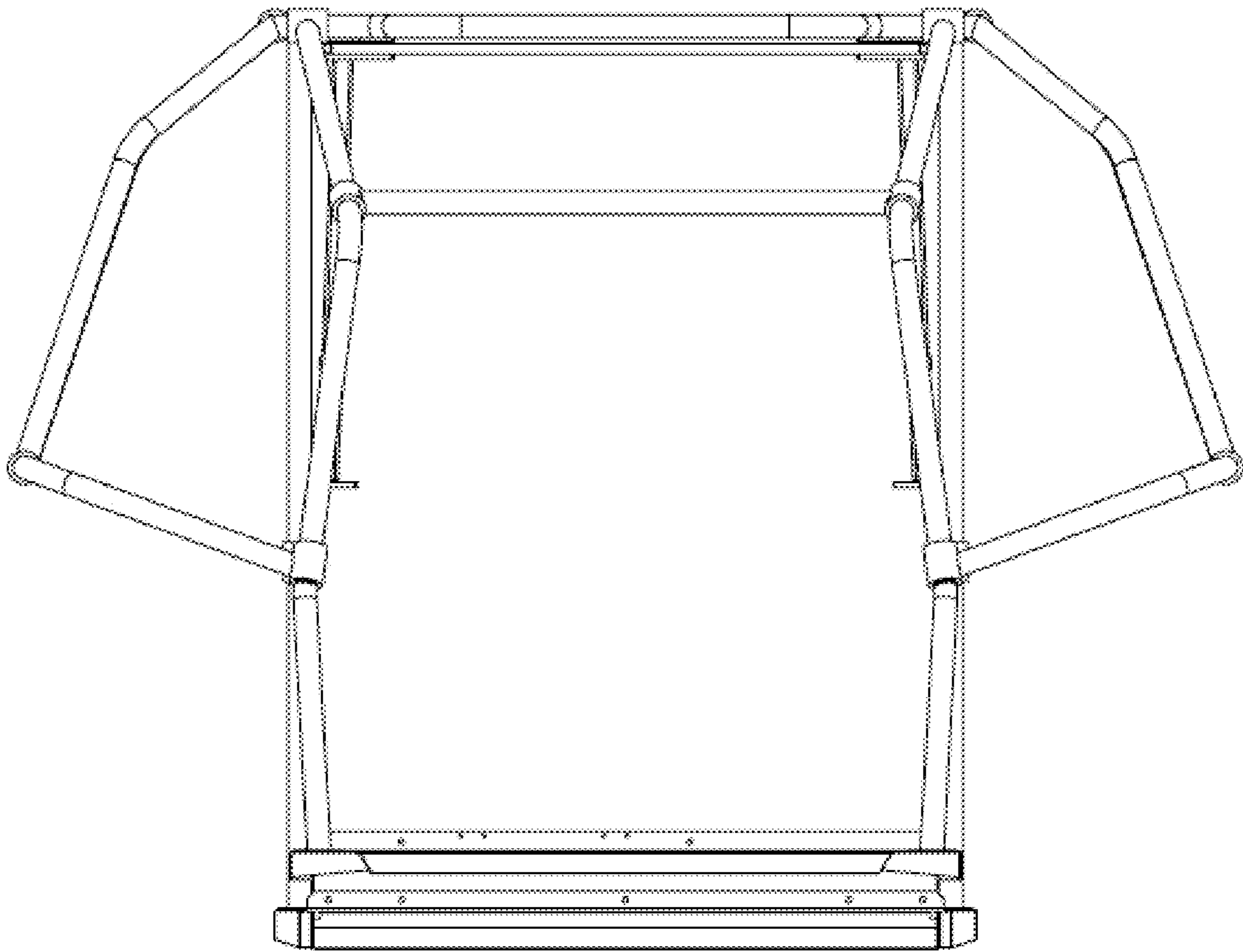


FIG. 4

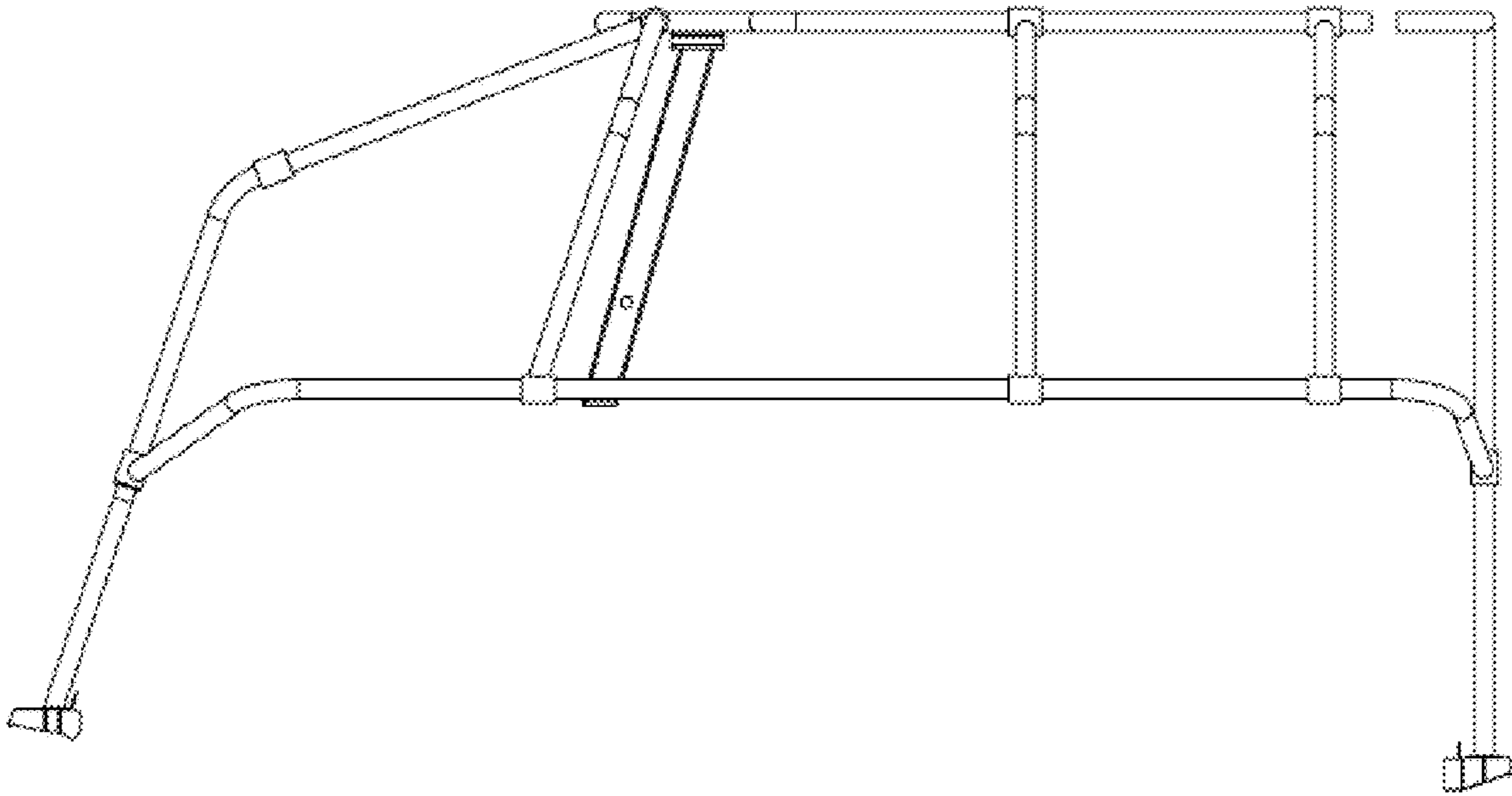


FIG. 5

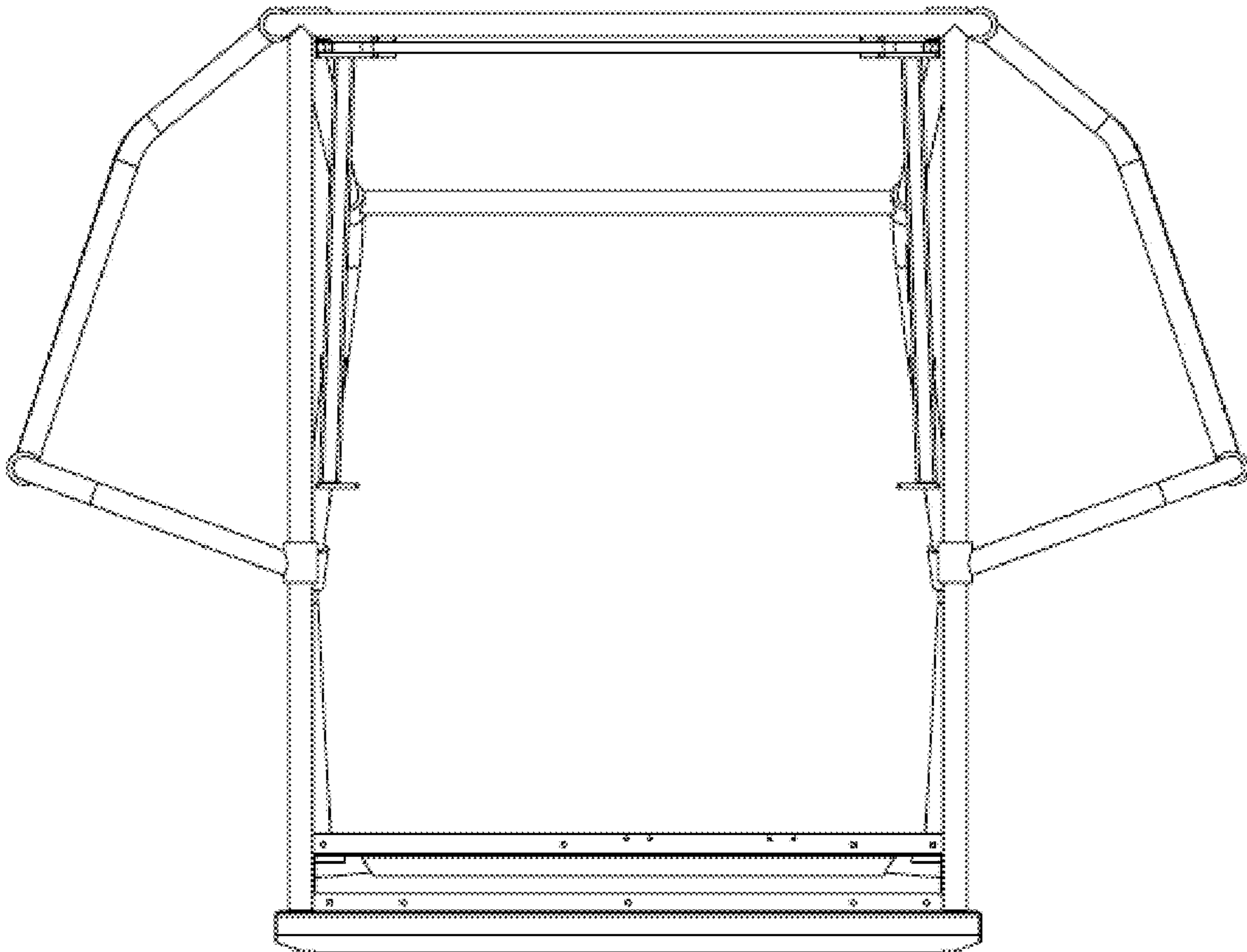


FIG. 6



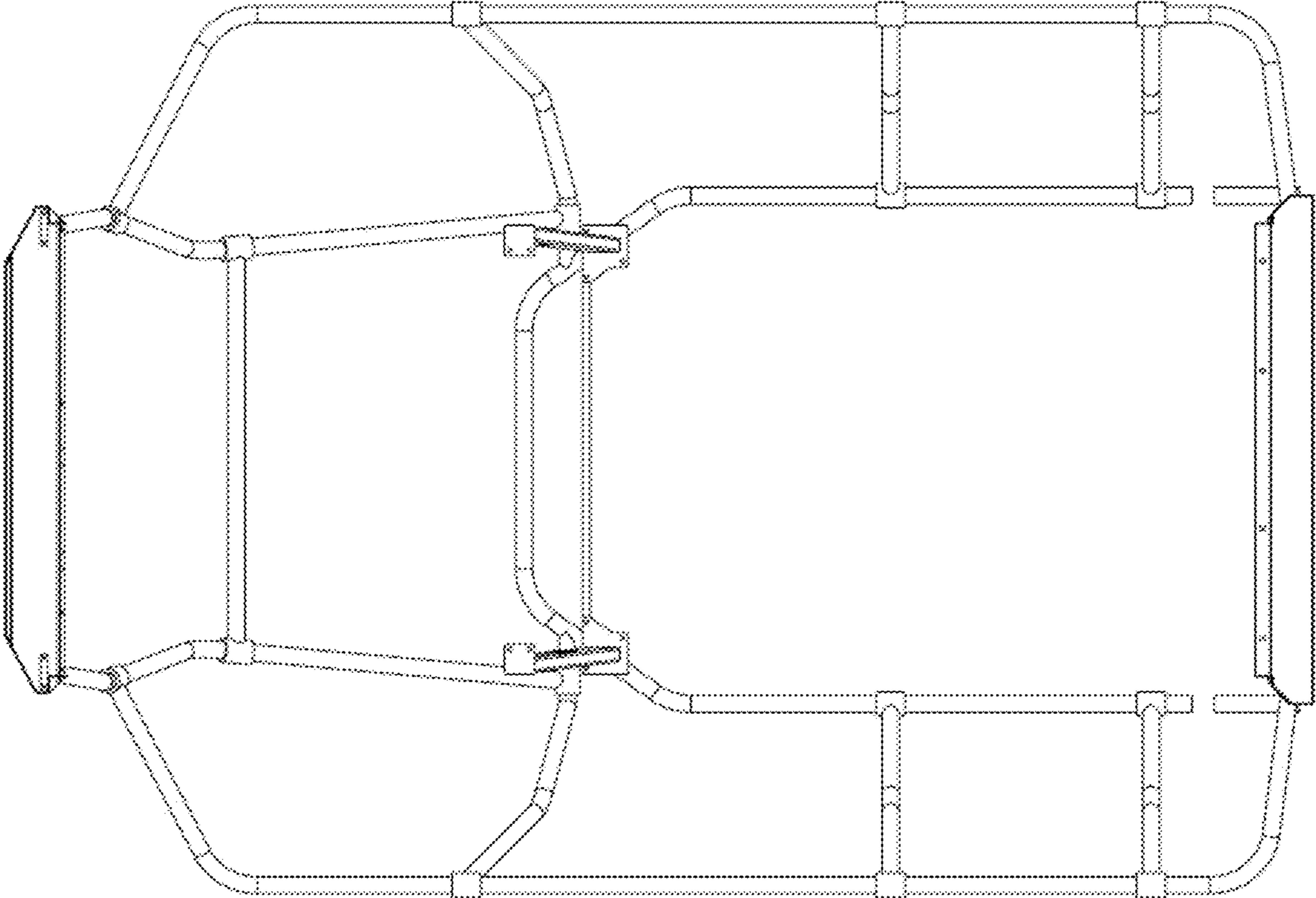


FIG. 7