



US00D893392S

(12) **United States Design Patent**
Liu

(10) **Patent No.:** **US D893,392 S**

(45) **Date of Patent:** **** Aug. 18, 2020**

(54) **VEHICLE WHEEL**

(71) Applicant: **CITIC Dicastal Co., Ltd.**,
Qinhuangdao (CN)

(72) Inventor: **Zhichong Liu**, Qinhuangdao (CN)

(73) Assignee: **CITIC Dicastal Co., Ltd.**,
Qinhuangdao (CN)

(**) Term: **15 Years**

(21) Appl. No.: **29/707,542**

(22) Filed: **Sep. 29, 2019**

(30) **Foreign Application Priority Data**

Jun. 17, 2019 (CN) 2019 3 0312194

(51) **LOC (12) Cl.** **12-16**

(52) **U.S. Cl.**
USPC **D12/211**

(58) **Field of Classification Search**
USPC D12/204-213; D21/563
CPC B60B 7/00; B60B 7/02; B60B 7/04; B60B
7/01; B60B 7/06; B60B 3/02; B60B 3/04;
B60B 3/06; B60B 3/10; B60B 1/00;
B60B 1/08; B60B 1/10; B60B 1/12
See application file for complete search history.

(56) **References Cited**

U.S. PATENT DOCUMENTS

D626,489 S * 11/2010 Laengerer D12/211
D635,905 S * 4/2011 Toth D12/211
D660,772 S * 5/2012 Gotschke D12/211

D682,181 S * 5/2013 Zhao D12/211
D691,080 S * 10/2013 Stucki D12/211
D707,609 S * 6/2014 Curtis D12/211
D720,275 S * 12/2014 Szavits D12/211
D725,572 S * 3/2015 Mahoney D12/211
D730,262 S * 5/2015 Wagener D12/211
D782,951 S * 4/2017 Bjerke D12/209
D788,678 S * 6/2017 Svensson D12/211
D791,671 S * 7/2017 Bucher D12/211
D808,325 S * 1/2018 Chung D12/211
D809,447 S * 2/2018 Wolff D12/211
D825,427 S * 8/2018 Myrberg D12/209
D842,793 S * 3/2019 Ash D12/209
D853,297 S * 7/2019 He D12/209
D858,407 S * 9/2019 Valencia Pollex D12/209
D858,415 S * 9/2019 Kim D12/211
D859,273 S * 9/2019 Anton D12/211
D860,096 S * 9/2019 Milani D12/209
D885,285 S * 5/2020 Bernoni D12/209

* cited by examiner

Primary Examiner — Stacia A Cadmus

(74) *Attorney, Agent, or Firm* — IPro, PLLC; Qian Gu

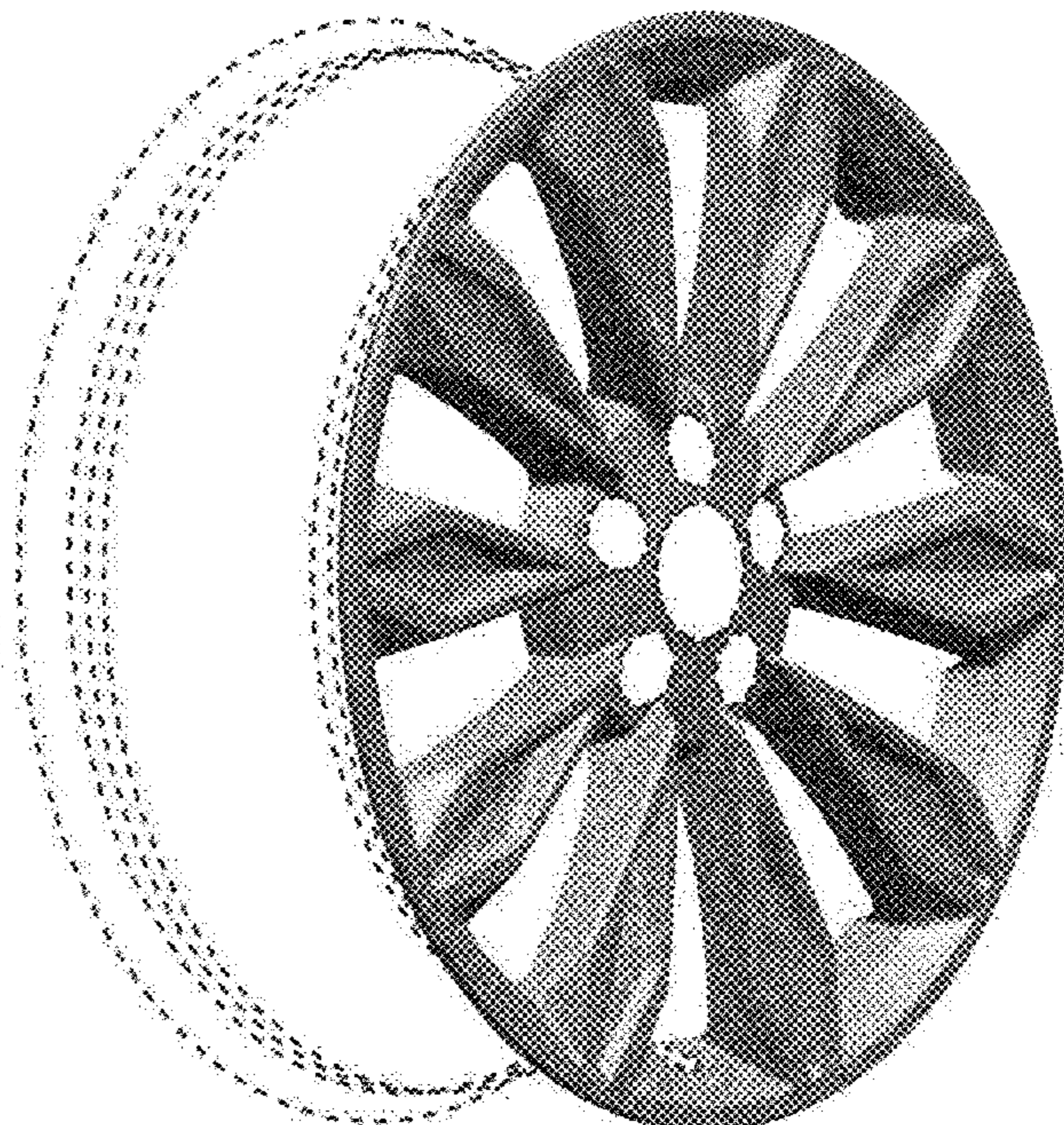
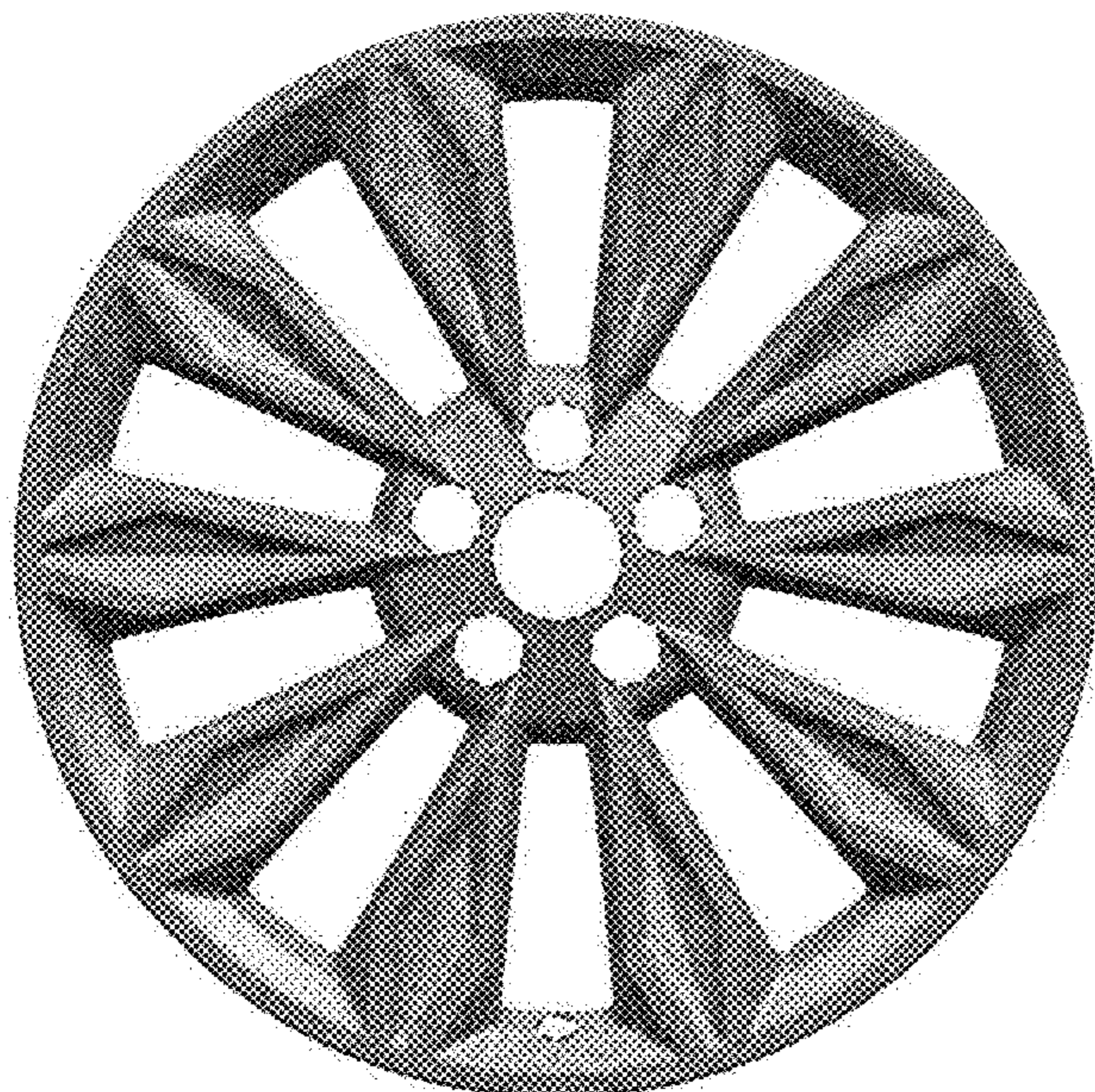
(57) **CLAIM**

The ornamental design for a vehicle wheel, as shown and described.

DESCRIPTION

FIG. 1 is a front view of a vehicle wheel.
FIG. 2 is a perspective view of the vehicle wheel; and,
FIG. 3 is a left side view of the vehicle wheel.
The broken line showing of the rear of the rim, the valve stem hole, the bolt holes and the center hole in the central hub area is included for the purpose of illustrating environment and forms no part of the claimed design.

1 Claim, 3 Drawing Sheets



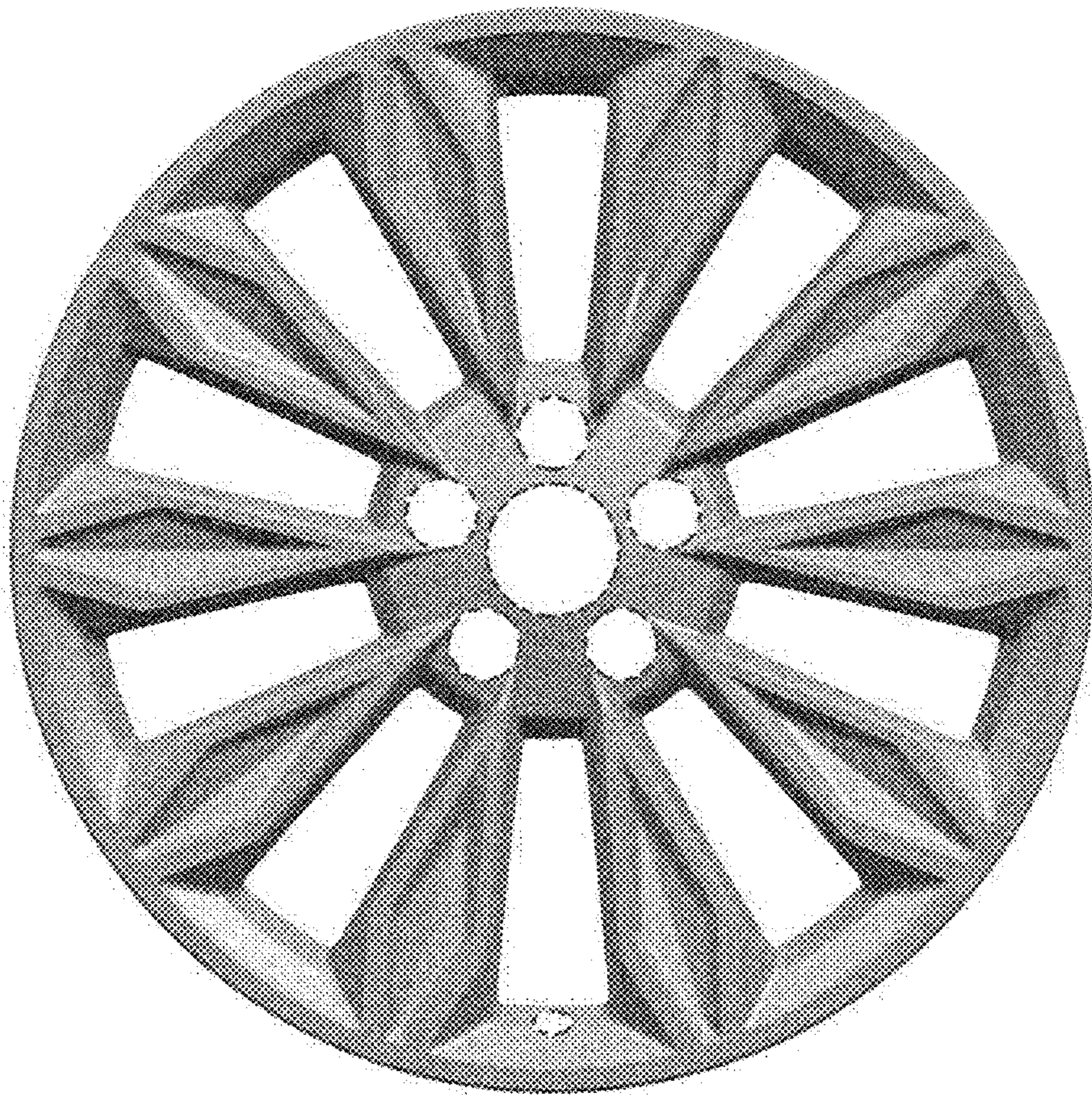


FIG. 1

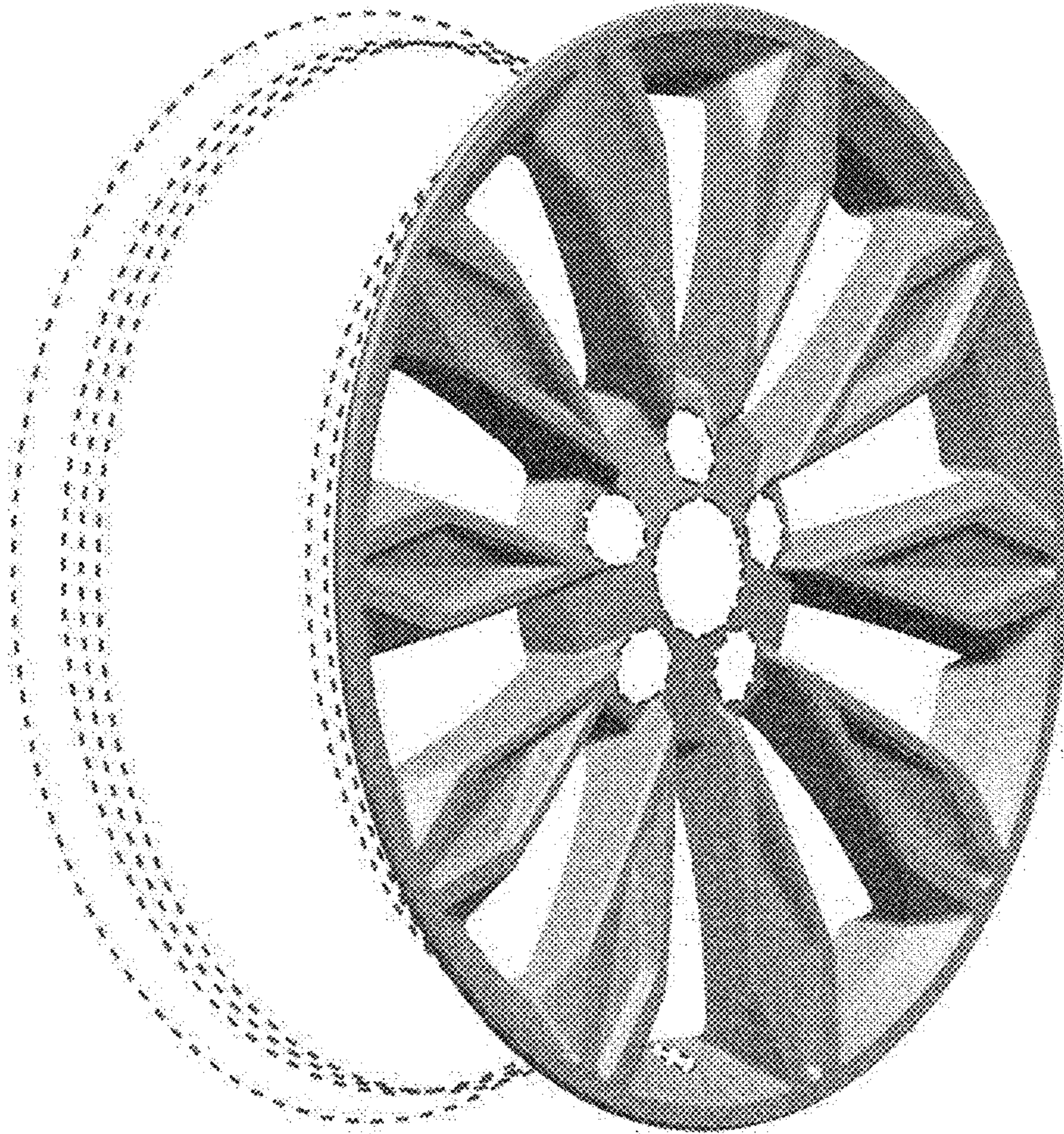


FIG. 2

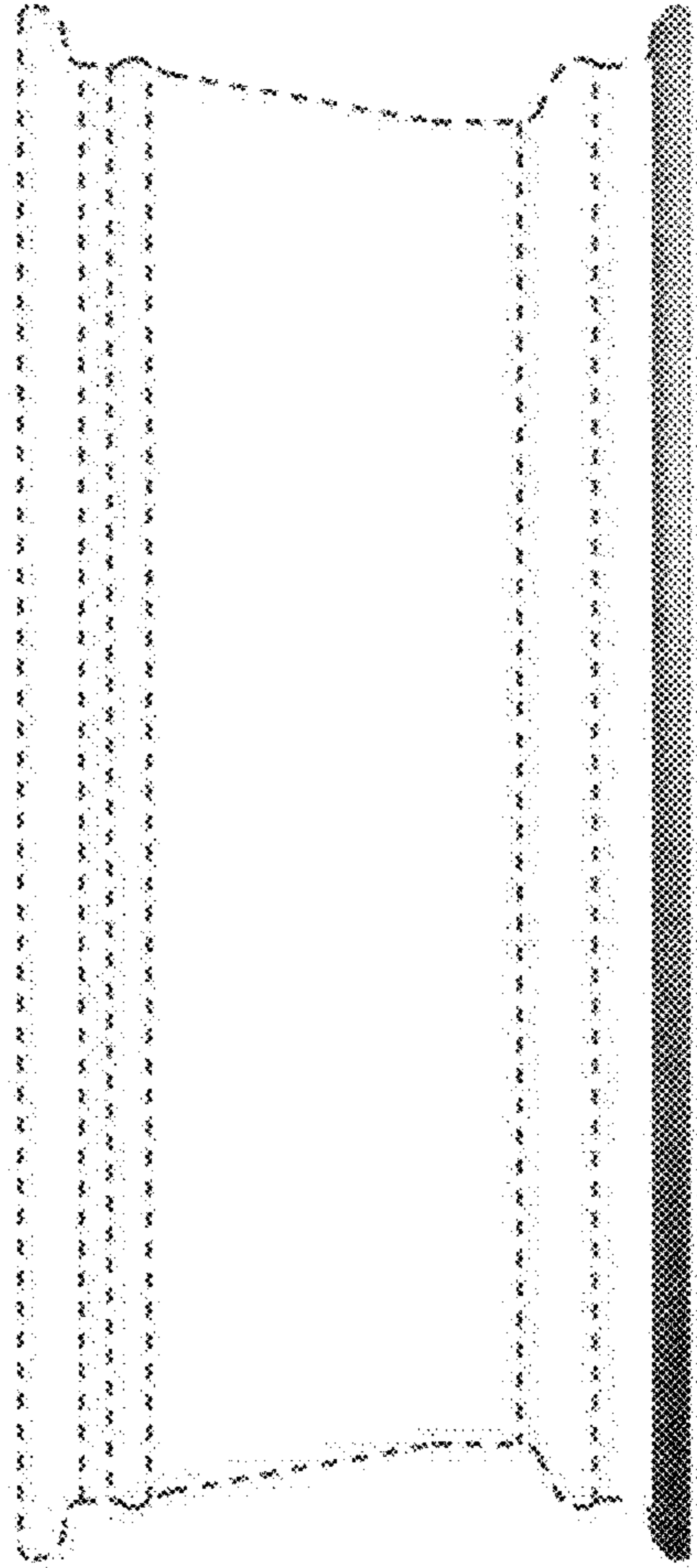


FIG. 3