



US00D893390S

(12) **United States Design Patent**
Liu

(10) **Patent No.:** **US D893,390 S**

(45) **Date of Patent:** **** Aug. 18, 2020**

(54) **VEHICLE WHEEL**

(71) Applicant: **CITIC Dicastal Co., Ltd.**,
Qinhuangdao (CN)

(72) Inventor: **Zhichong Liu**, Qinhuangdao (CN)

(73) Assignee: **CITIC Dicastal Co., Ltd.**,
Qinhuangdao (CN)

(**) Term: **15 Years**

(21) Appl. No.: **29/707,495**

(22) Filed: **Sep. 27, 2019**

(30) **Foreign Application Priority Data**

Jun. 17, 2019 (CN) 2019 3 03121957

(51) **LOC (12) Cl.** **12-16**

(52) **U.S. Cl.**
USPC **D12/209**

(58) **Field of Classification Search**

USPC D12/204-213; D21/563

CPC B60B 7/00; B60B 7/02; B60B 7/04; B60B
7/01; B60B 7/06; B60B 3/02; B60B 3/04;
B60B 3/06; B60B 3/10; B60B 1/00;
B60B 1/08; B60B 1/10; B60B 1/12

See application file for complete search history.

(56) **References Cited**

U.S. PATENT DOCUMENTS

D375,075 S * 10/1996 Kugler D12/209

D468,250 S * 1/2003 Donikoglu D12/209

D487,420 S *	3/2004	Kang	D12/211
D495,284 S *	8/2004	Sands	D12/209
D588,515 S *	3/2009	Lamm	D12/211
D620,419 S *	7/2010	Lamm	D12/209
D634,692 S *	3/2011	Stefanov	D12/211
D660,765 S *	5/2012	Gotschke	D12/209
D667,767 S *	9/2012	Gotschke	D12/209
D738,804 S *	9/2015	George	D12/209
D853,928 S *	7/2019	Hale	D12/209
D864,072 S *	10/2019	Groth	D12/209
D864,830 S *	10/2019	Khachatryan	D12/209
D883,170 S *	5/2020	Tian	D12/209

* cited by examiner

Primary Examiner — Stacia A Cadmus

(74) *Attorney, Agent, or Firm* — IPro, PLLC; Qian Gu

(57) **CLAIM**

The ornamental design for a vehicle wheel, as shown and described.

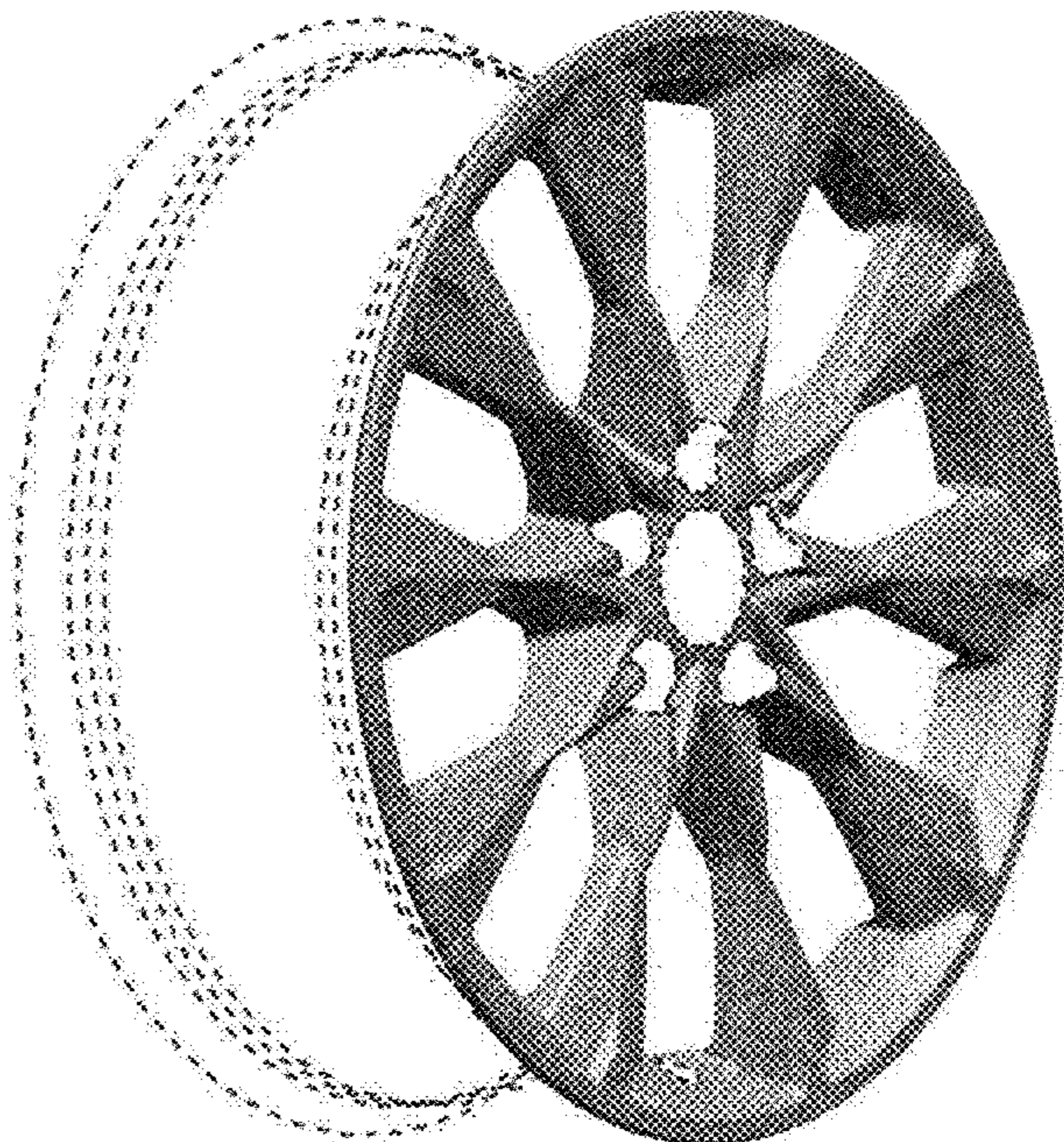
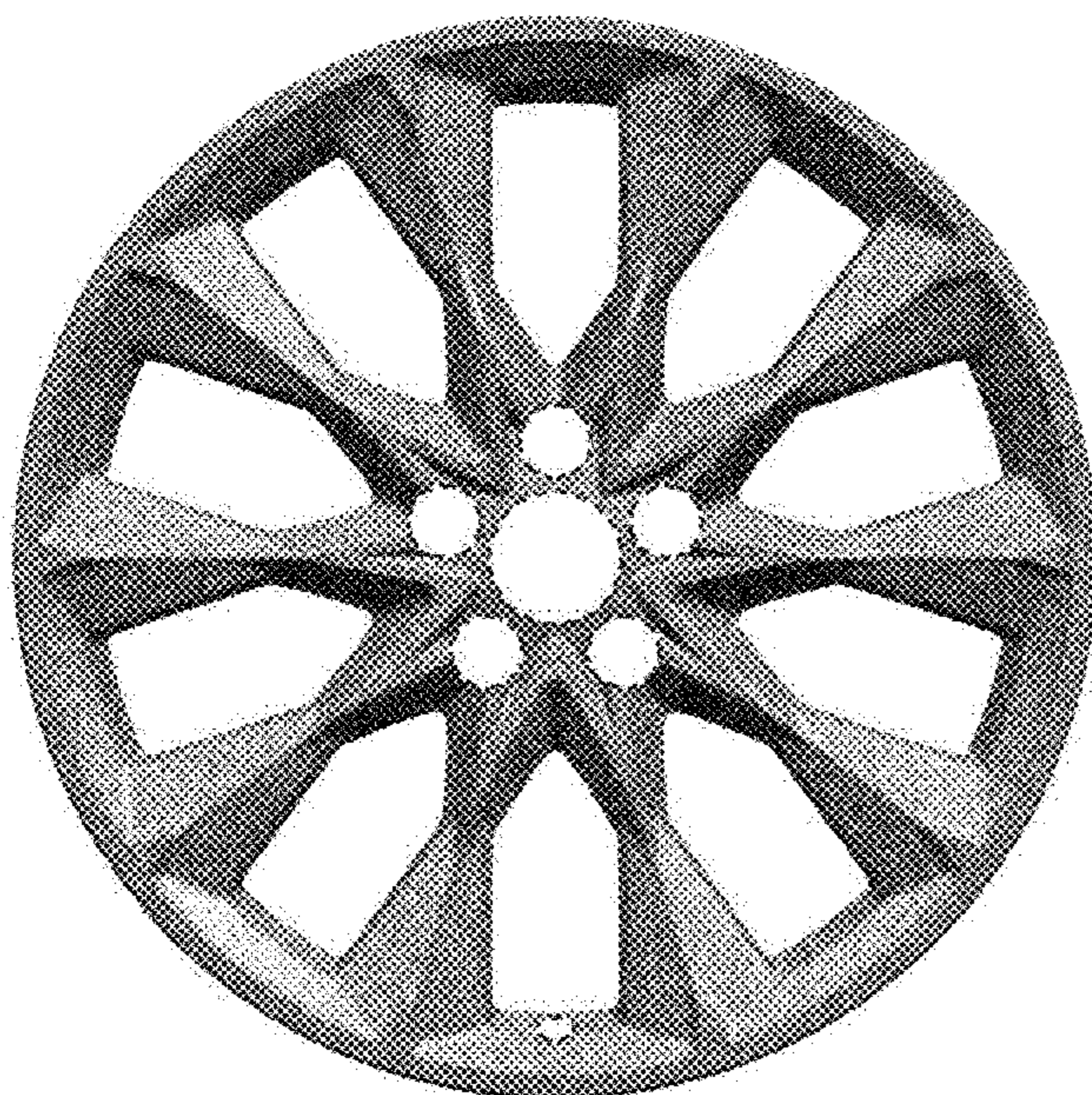
DESCRIPTION

FIG. 1 is a front view of a vehicle wheel.

FIG. 2 is a perspective view of the vehicle wheel; and, FIG. 3 is a left side view of the vehicle wheel.

The broken line showing of the rear of the rim, the valve stem hole, the bolt holes and the center hole in the central hub area is included for the purpose of illustrating environment and forms no part of the claimed design.

1 Claim, 3 Drawing Sheets



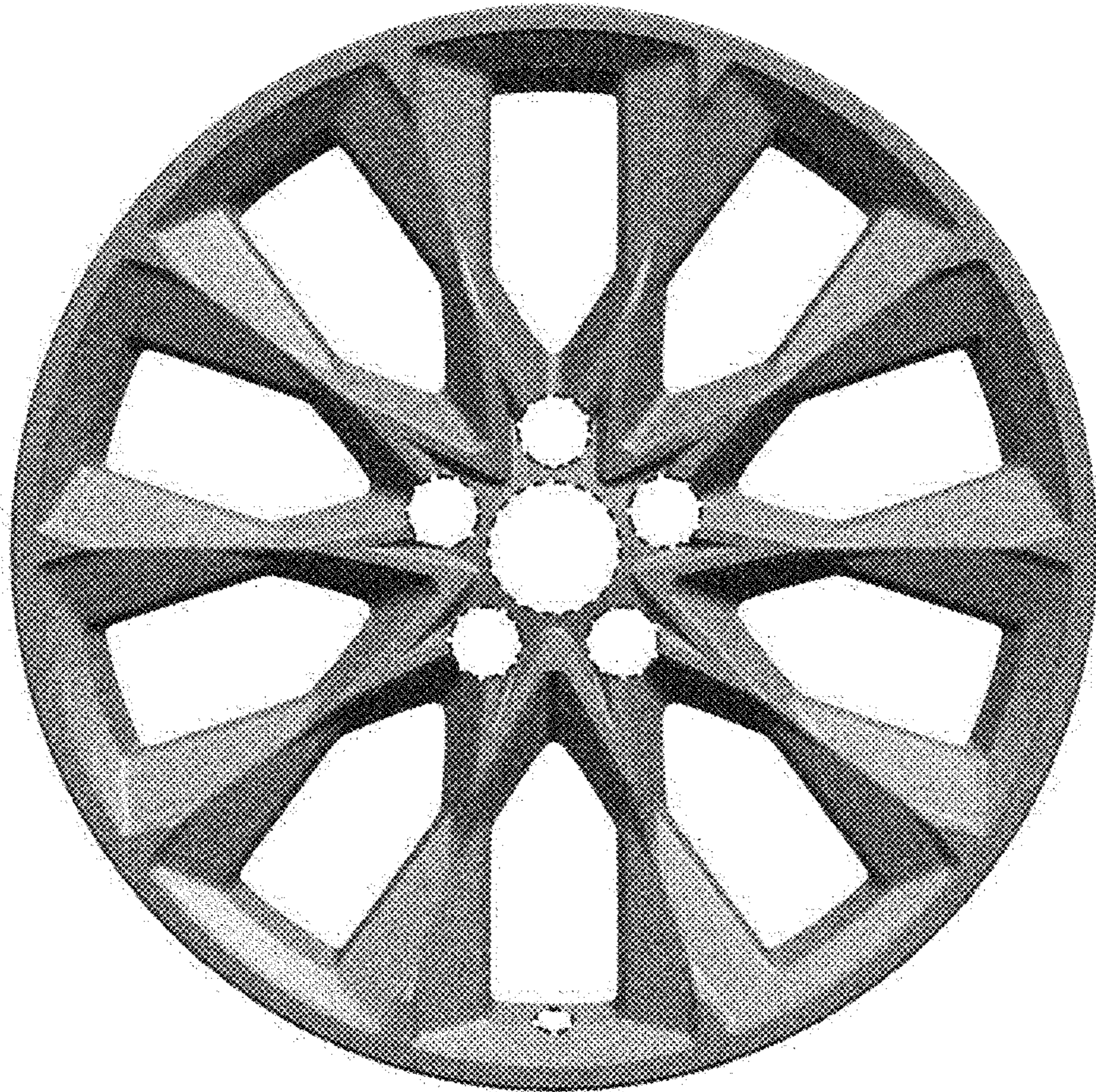


FIG. 1

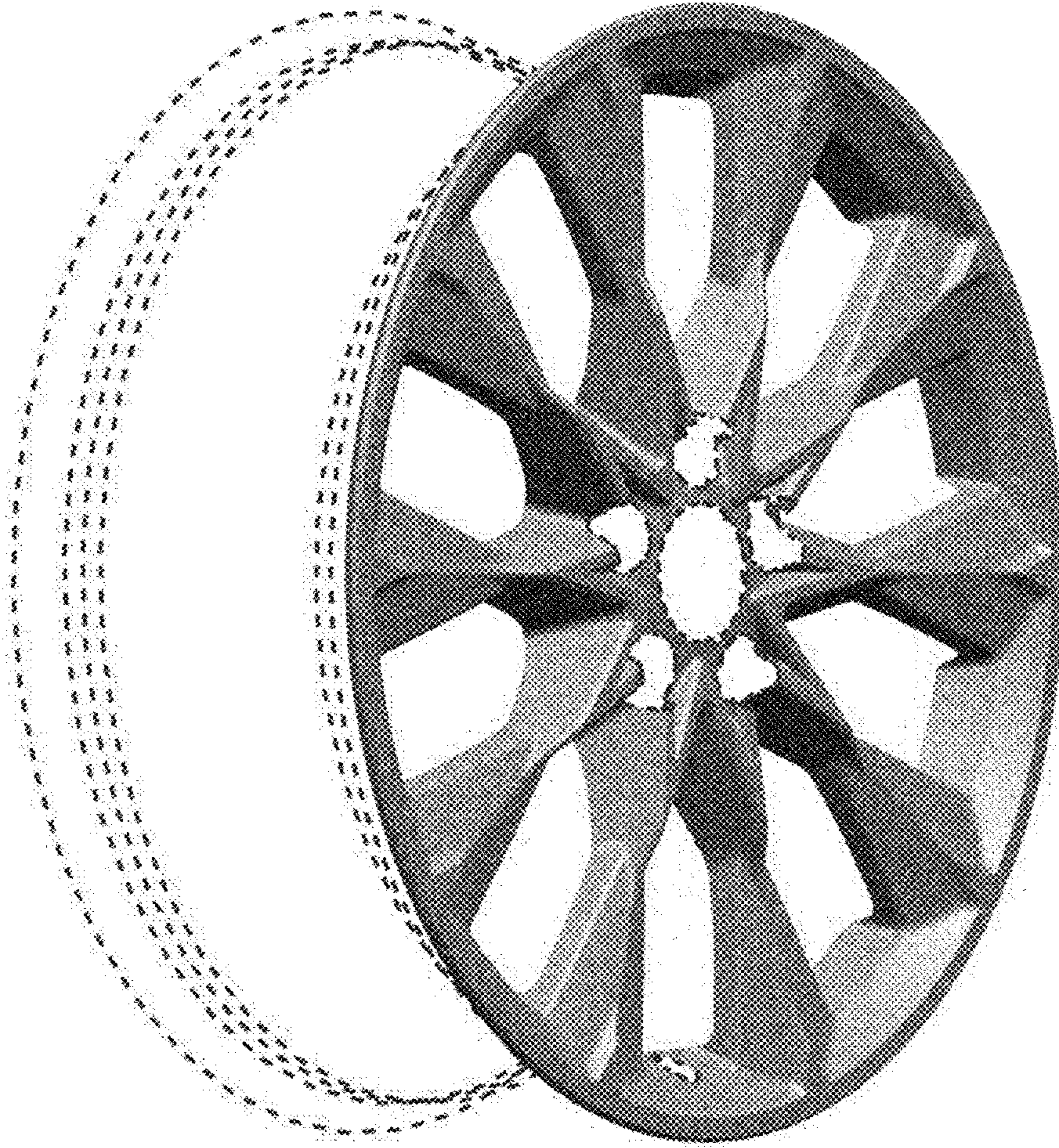


FIG. 2

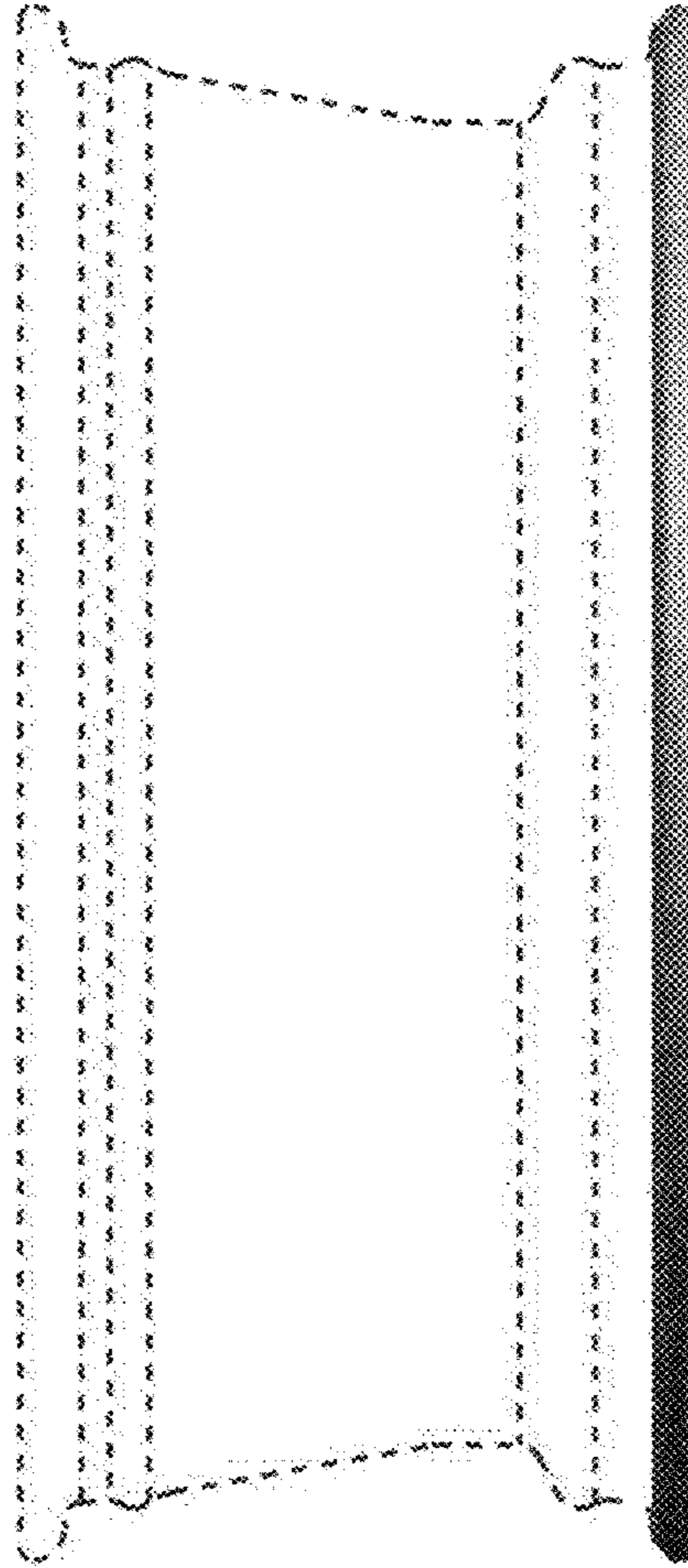


FIG. 3