



US00D893389S

(12) **United States Design Patent**
Liu

(10) **Patent No.:** **US D893,389 S**

(45) **Date of Patent:** **** Aug. 18, 2020**

(54) **VEHICLE WHEEL**

(71) Applicant: **CITIC Dicastal Co., Ltd.**,
Qinhuangdao (CN)

(72) Inventor: **Zhichong Liu**, Qinhuangdao (CN)

(73) Assignee: **CITIC Dicastal Co., Ltd.**,
Qinhuangdao (CN)

(**) Term: **15 Years**

(21) Appl. No.: **29/707,487**

(22) Filed: **Sep. 27, 2019**

(30) **Foreign Application Priority Data**

Jun. 17, 2019 (CN) 2019 3 0311949

(51) **LOC (12) Cl.** **12-16**

(52) **U.S. Cl.**
USPC **D12/209**

(58) **Field of Classification Search**
USPC D12/204-213; D21/563
CPC B60B 7/00; B60B 7/02; B60B 7/04; B60B
7/01; B60B 7/06; B60B 3/02; B60B 3/04;
B60B 3/06; B60B 3/10; B60B 1/00;
B60B 1/08; B60B 1/10; B60B 1/12
See application file for complete search history.

(56) **References Cited**

U.S. PATENT DOCUMENTS

D437,577 S * 2/2001 Iacovelli D12/209
D539,721 S * 4/2007 Ettensberger D12/209

D572,186 S * 7/2008 Viandante D12/211
D659,625 S * 5/2012 Chan D12/209
D695,199 S * 12/2013 Garbas D12/211
D751,481 S * 3/2016 Chung D12/209
D765,007 S * 8/2016 Chung D12/211
D791,055 S * 7/2017 Valencia Pollex D12/211
D833,945 S * 11/2018 Henderson D12/209
D839,811 S * 2/2019 Shen D12/209
D843,295 S * 3/2019 Ash D12/209
D857,596 S * 8/2019 Liu D12/211
D859,264 S * 9/2019 Guidry D12/209
D878,993 S * 3/2020 Liu D12/209
D881,100 S * 4/2020 Liu D12/209
D881,101 S * 4/2020 Liu D12/209

* cited by examiner

Primary Examiner — Stacia A Cadmus

(74) *Attorney, Agent, or Firm* — IPro, PLLC; Qian Gu

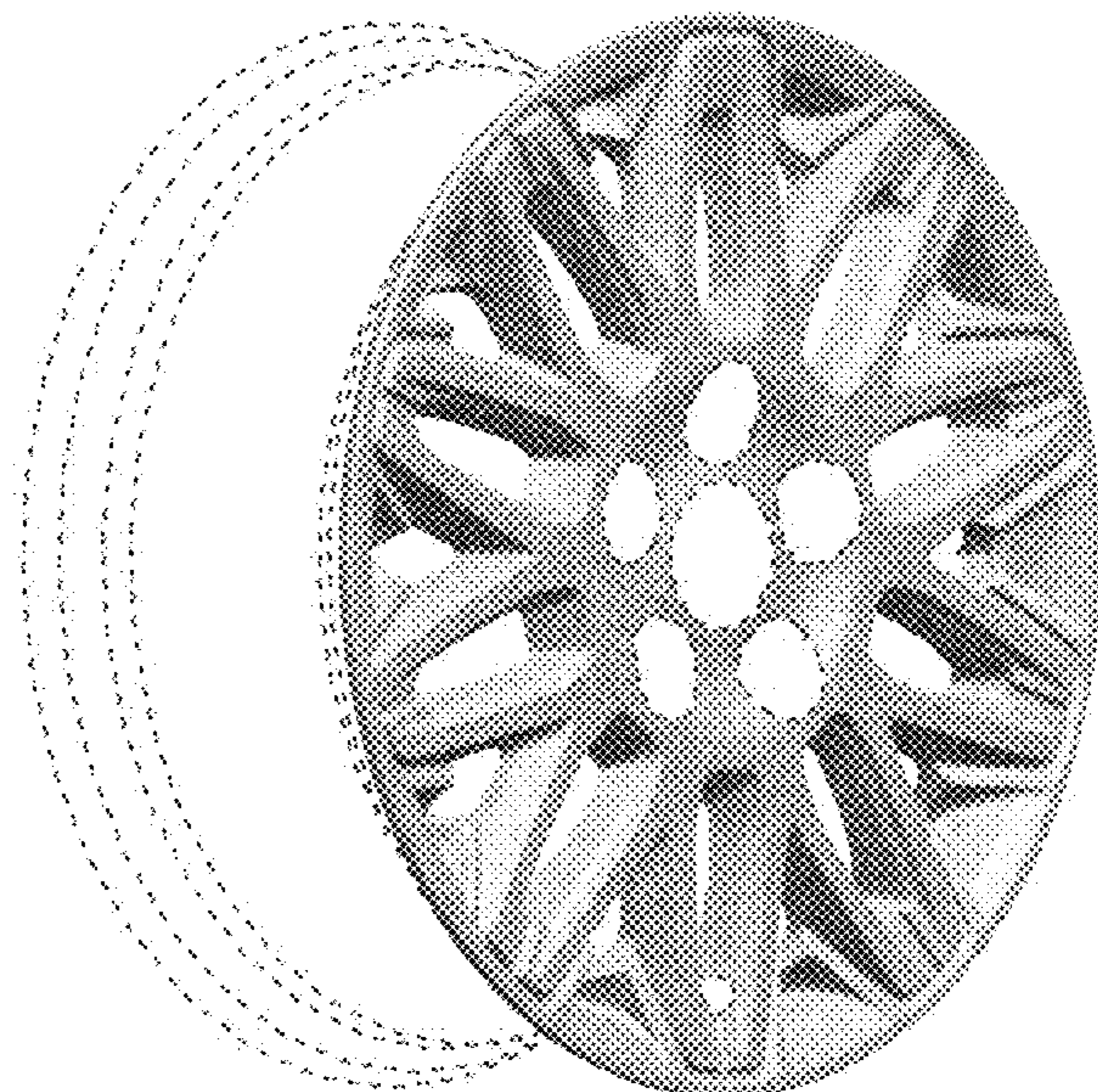
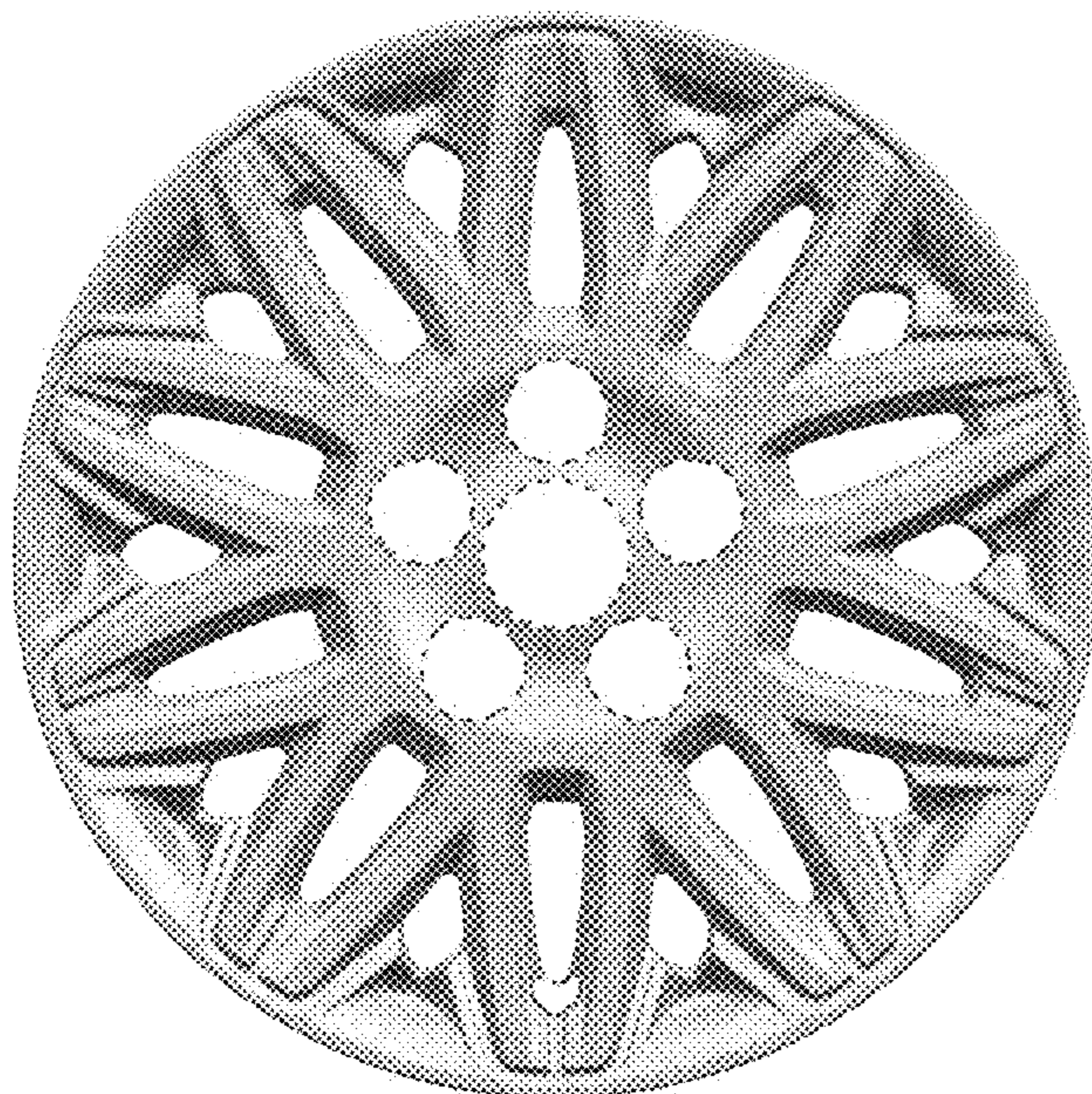
(57) **CLAIM**

The ornamental design for a vehicle wheel, as shown and described.

DESCRIPTION

FIG. 1 is a front view of a vehicle wheel.
FIG. 2 is a perspective view of the vehicle wheel; and,
FIG. 3 is a left side view of the vehicle wheel.
The broken line showing of the rear of the rim, the valve stem hole, the bolt holes and the center hole in the central hub area is included for the purpose of illustrating environment and forms no part of the claimed design.

1 Claim, 3 Drawing Sheets



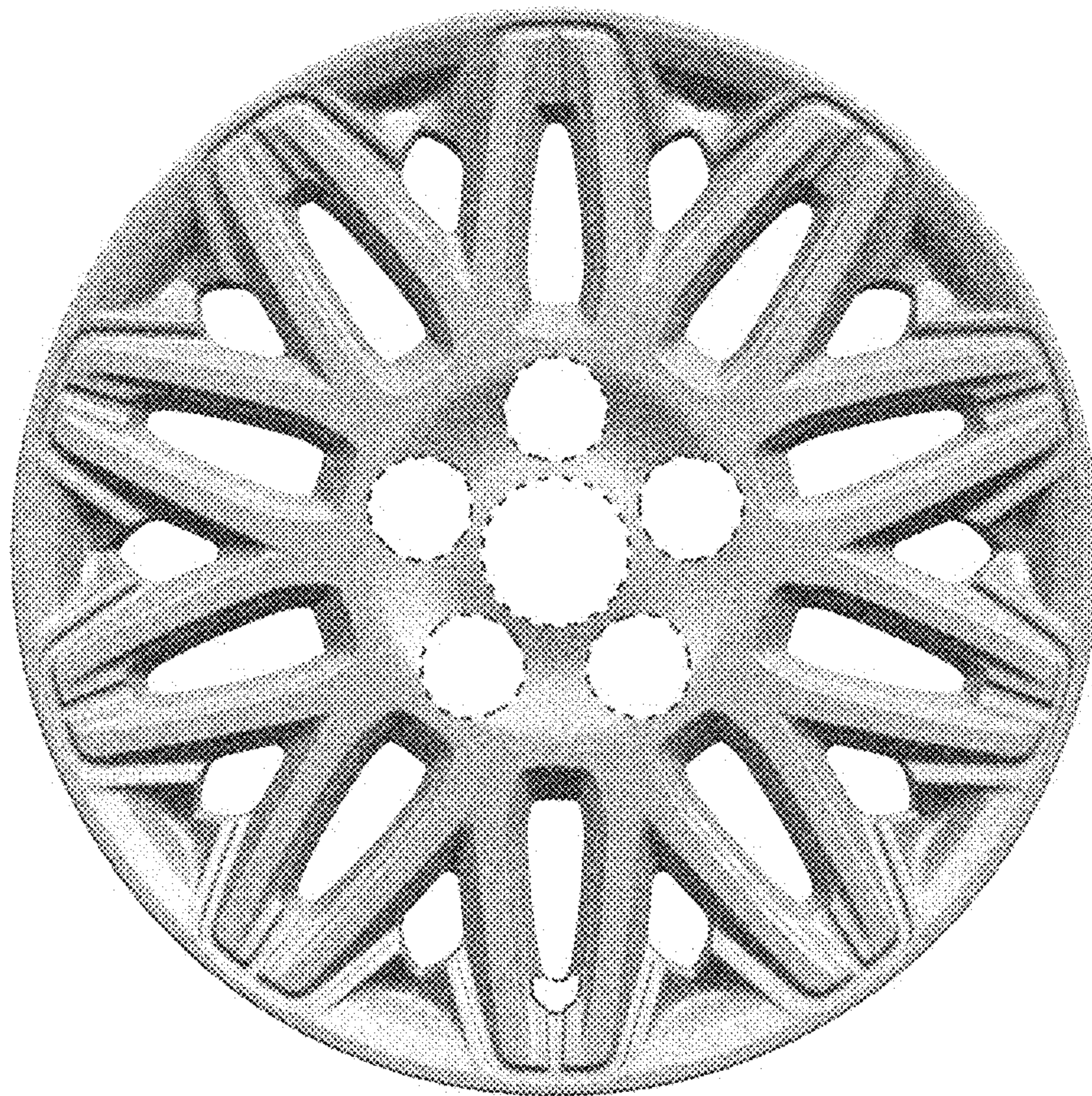


FIG. 1

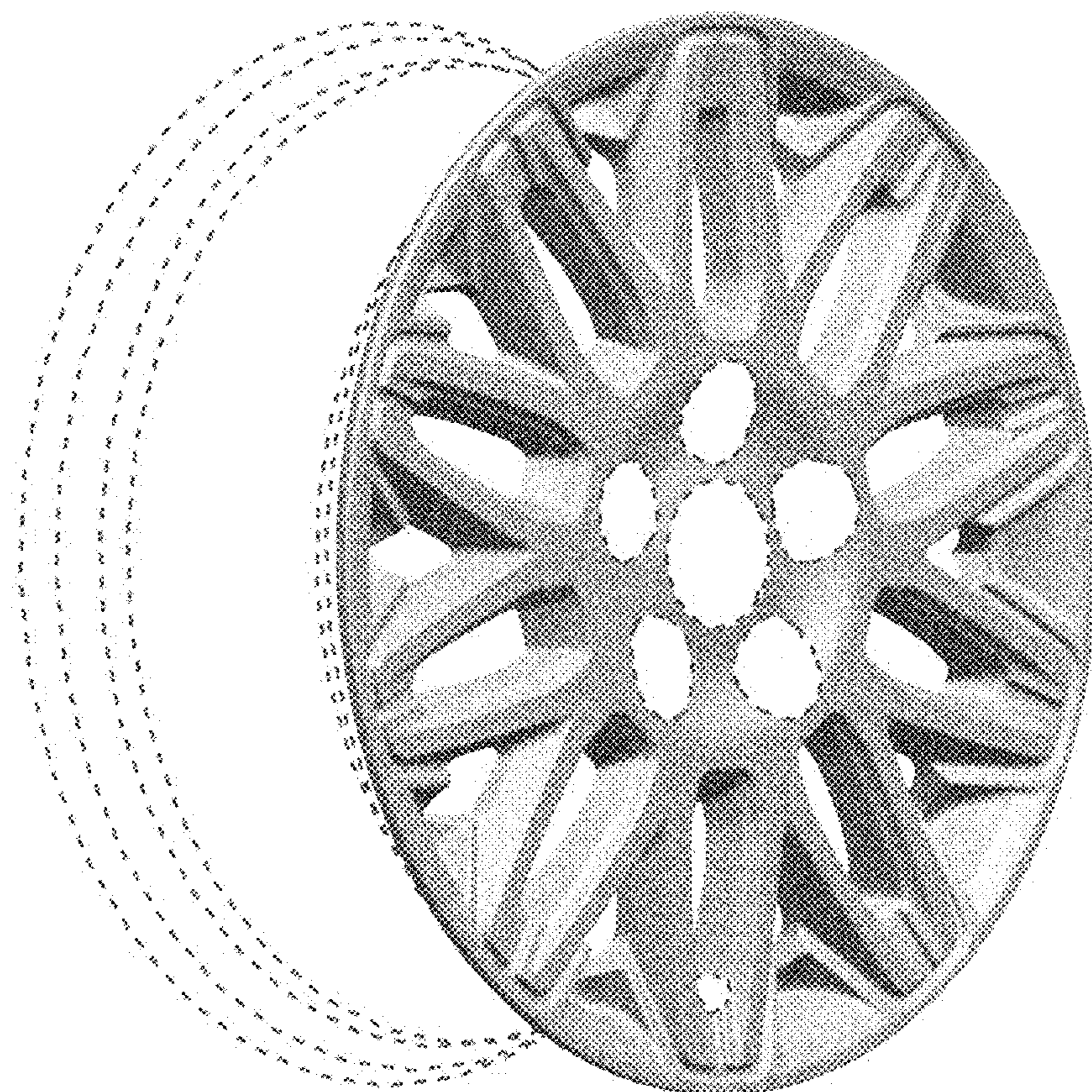


FIG. 2

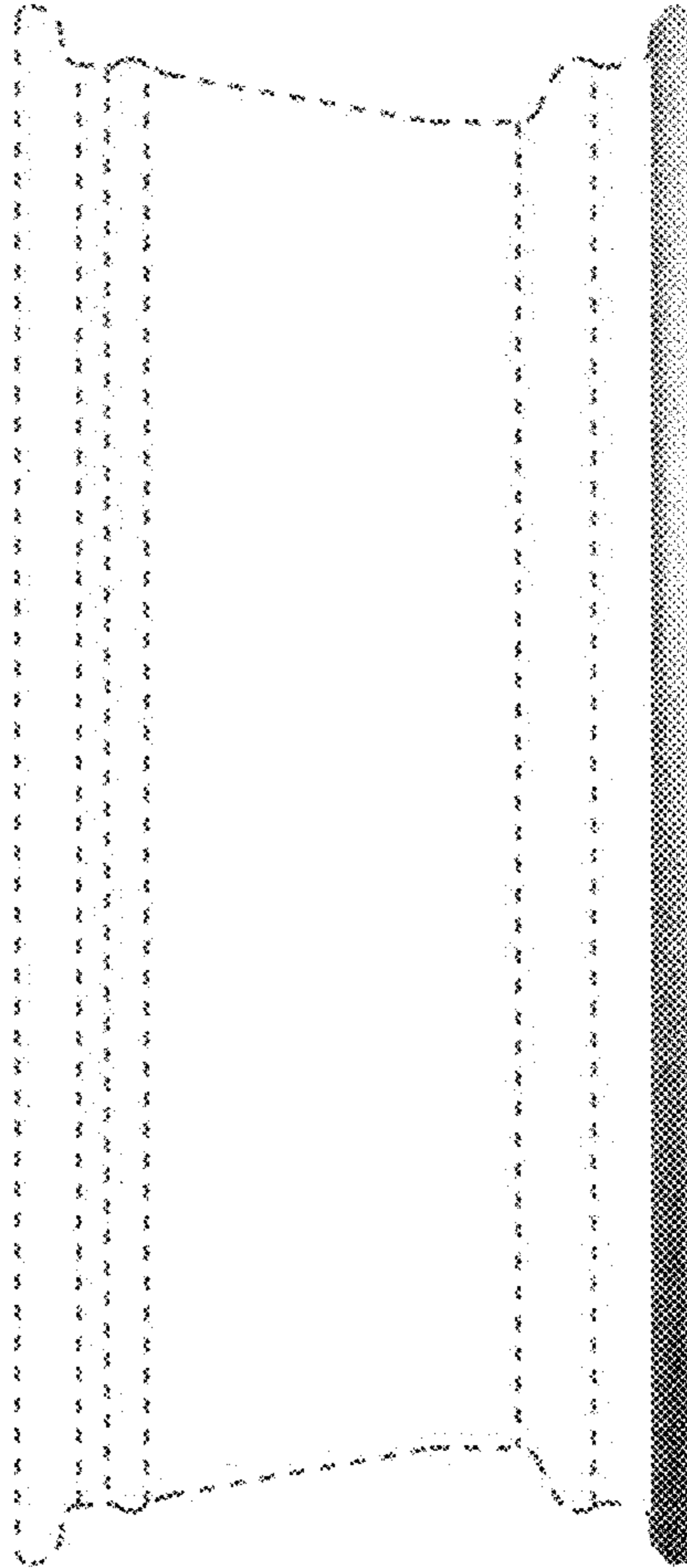


FIG. 3