

US00D893387S

(12) **United States Design Patent**
Liu

(10) **Patent No.:** **US D893,387 S**

(45) **Date of Patent:** **** Aug. 18, 2020**

(54) **VEHICLE WHEEL**

(71) Applicant: **CITIC Dicastal Co., Ltd.**,
Qinhuangdao (CN)

(72) Inventor: **Zhichong Liu**, Qinhuangdao (CN)

(73) Assignee: **CITIC Dicastal Co., Ltd.**,
Qinhuangdao (CN)

(**) Term: **15 Years**

(21) Appl. No.: **29/707,483**

(22) Filed: **Sep. 27, 2019**

(30) **Foreign Application Priority Data**

Jun. 17, 2019 (CN) 2019 3 0312210

(51) **LOC (12) Cl.** **12-16**

(52) **U.S. Cl.**
USPC **D12/209**

(58) **Field of Classification Search**
USPC D12/204-213; D21/563
CPC B60B 7/00; B60B 7/02; B60B 7/04; B60B
7/01; B60B 7/06; B60B 3/02; B60B 3/04;
B60B 3/06; B60B 3/10; B60B 1/00;
B60B 1/08; B60B 1/10; B60B 1/12
See application file for complete search history.

(56) **References Cited**

U.S. PATENT DOCUMENTS

D407,055 S	*	3/1999	Kelley	D12/209
D437,577 S	*	2/2001	Iacovelli	D12/209
D438,161 S	*	2/2001	Ong	D12/209
D442,531 S	*	5/2001	Brintouch	D12/204
D449,810 S	*	10/2001	Hussaini	D12/209

D455,697 S	*	4/2002	Chung	D12/209
D478,305 S	*	8/2003	Kern	D12/209
D504,379 S	*	4/2005	Kern	D12/209
D536,292 S	*	2/2007	Sulahian	D12/209
D550,138 S	*	9/2007	Walbey, Jr.	D12/209
D617,252 S	*	6/2010	Zhao	D12/211
D618,154 S	*	6/2010	Zhao	D12/209
D622,651 S	*	8/2010	Zhao	D12/209
D659,625 S	*	5/2012	Chan	D12/209
D661,238 S	*	6/2012	Chan	D12/209
D689,003 S	*	9/2013	Jallad	D12/211
D689,005 S	*	9/2013	Jallad	D12/211
D718,205 S	*	11/2014	Boswell-Horstmeyer	D12/209
D720,678 S	*	1/2015	Hodges	D12/209
D751,484 S	*	3/2016	Zhao	D12/209
D766,154 S	*	9/2016	Perini	D12/209
D783,486 S	*	4/2017	Simpson	D12/209
D830,272 S	*	10/2018	Aslam	D12/213
D877,016 S	*	3/2020	Jackson	D12/209

* cited by examiner

Primary Examiner — Stacia A Cadmus

(74) *Attorney, Agent, or Firm* — IPro, PLLC; Qian Gu

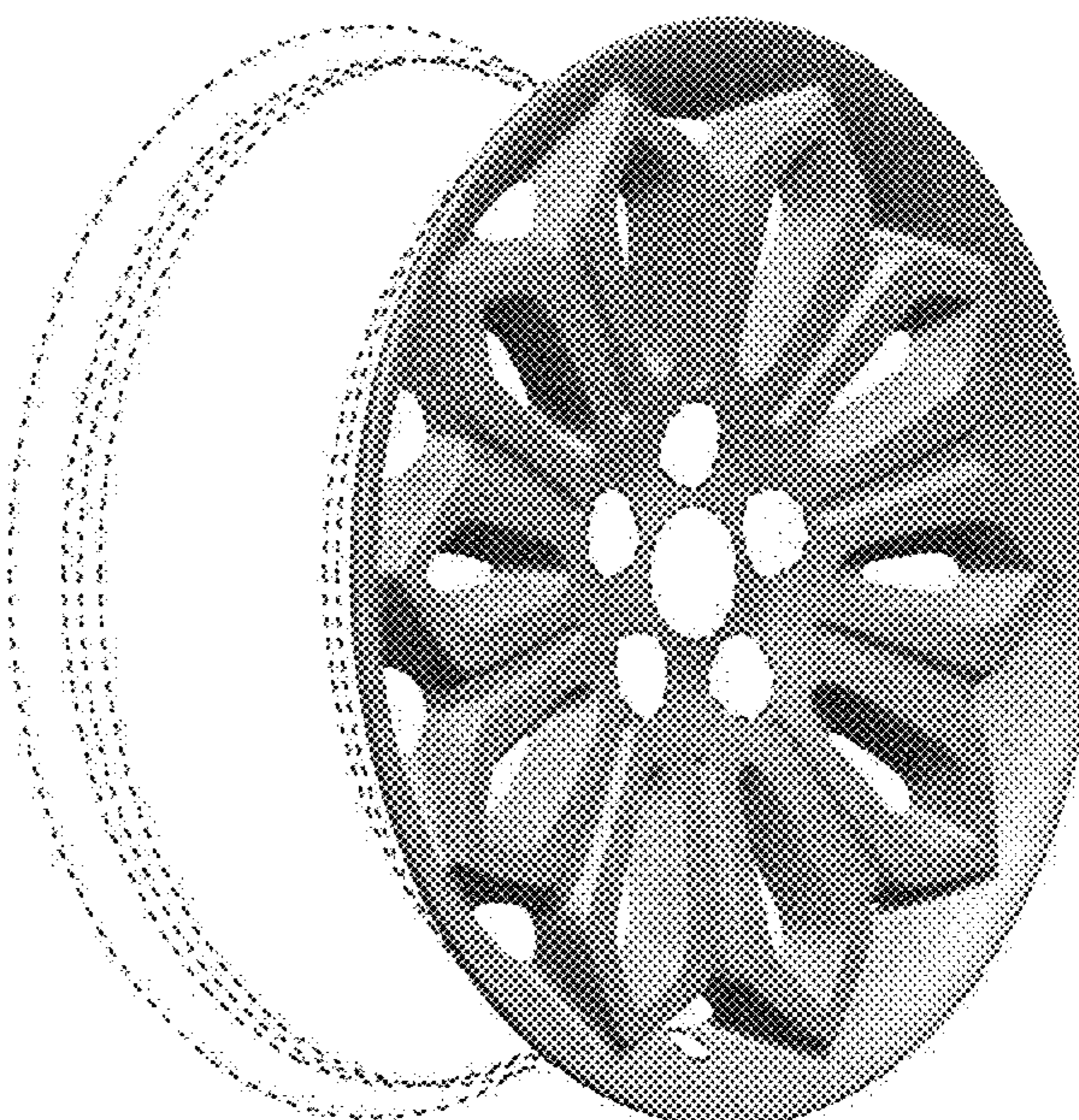
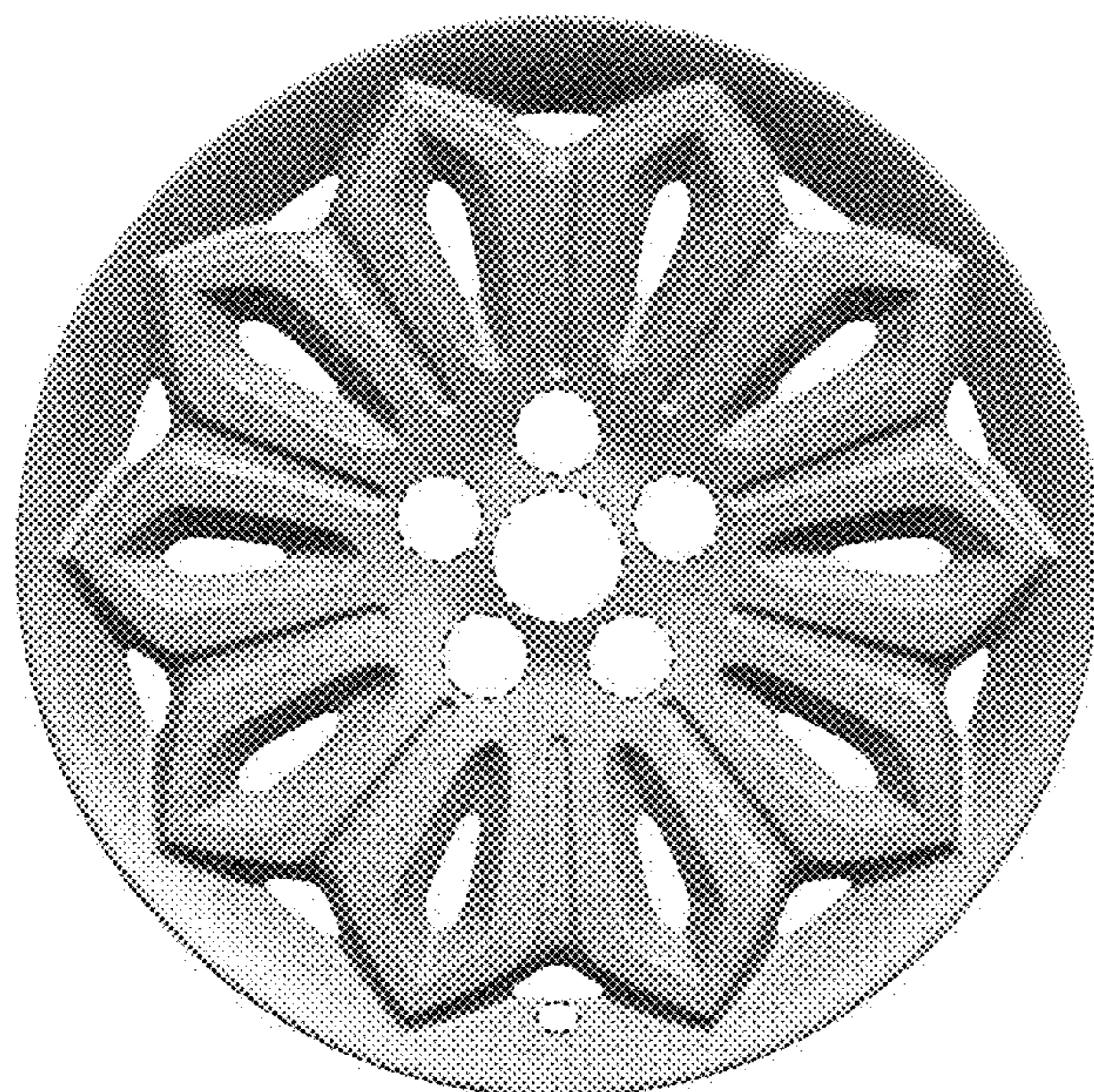
(57) **CLAIM**

The ornamental design for a vehicle wheel, as shown and described.

DESCRIPTION

FIG. 1 is a front view of a vehicle wheel.
FIG. 2 is a perspective view of the vehicle wheel; and,
FIG. 3 is a left side view of the vehicle wheel.
The broken line showing of the rear of the rim, the valve stem hole, the bolt holes and the center hole in the central hub area is included for the purpose of illustrating environment and forms no part of the claimed design.

1 Claim, 3 Drawing Sheets



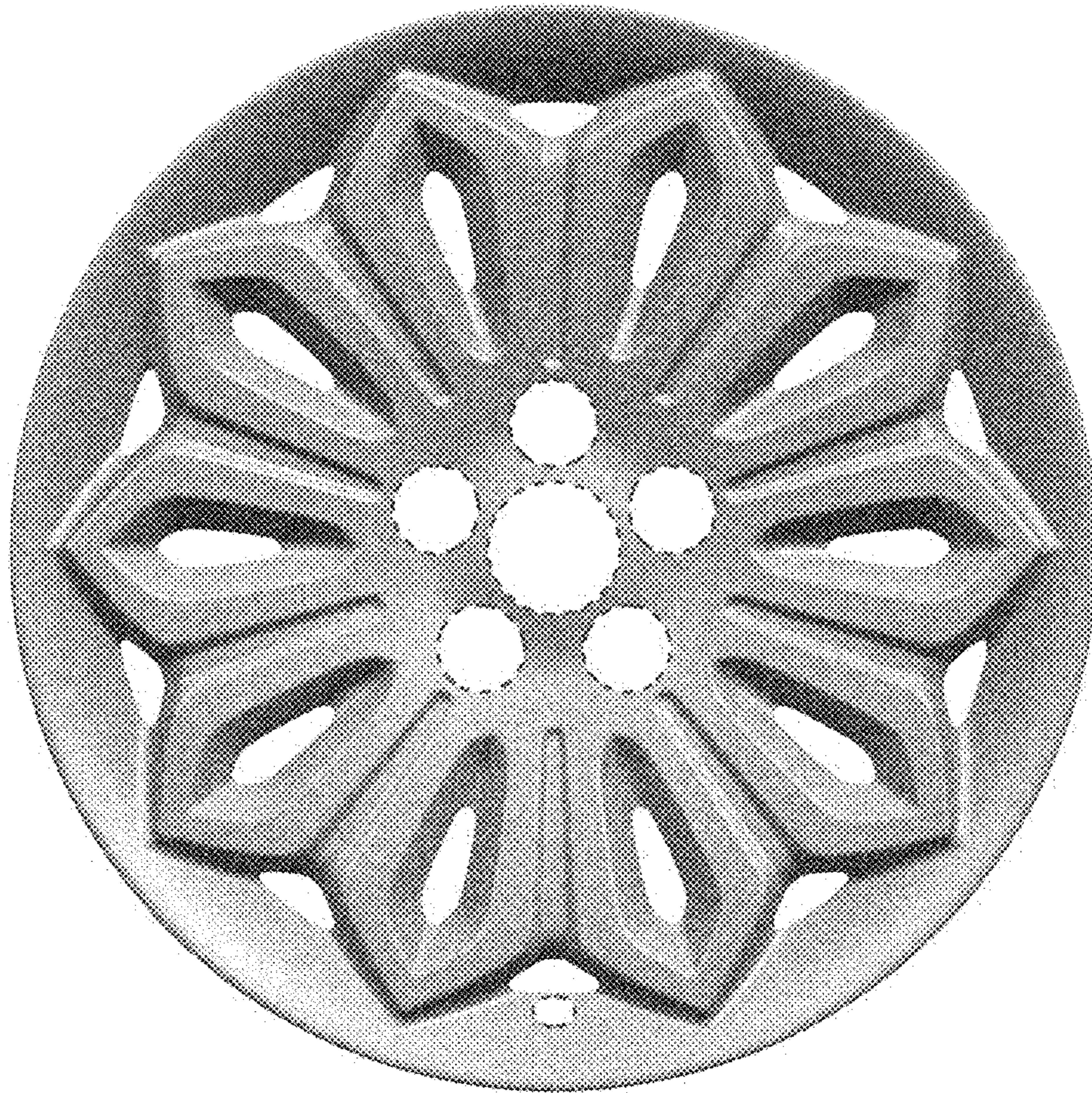


FIG. 1

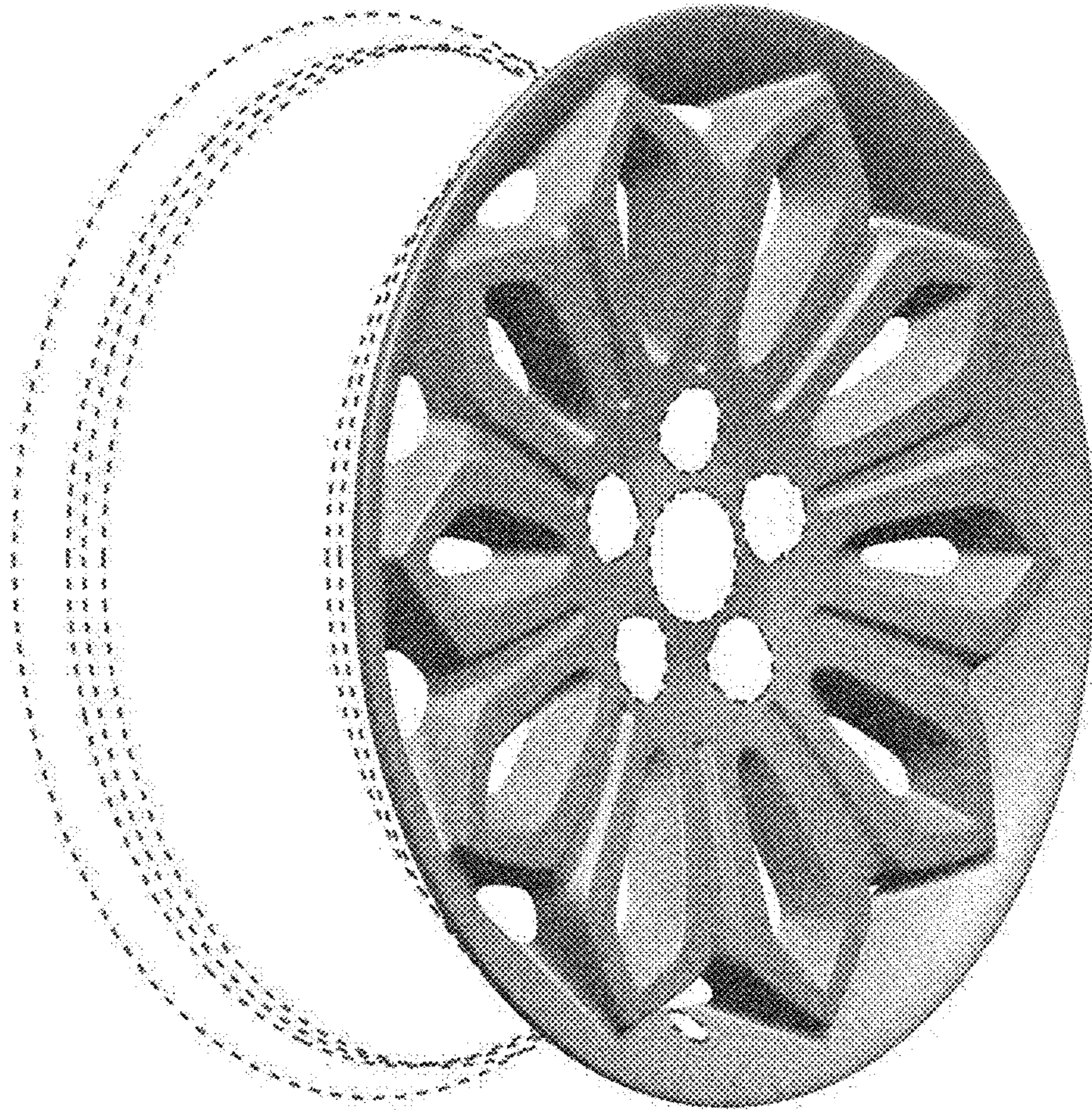


FIG. 2

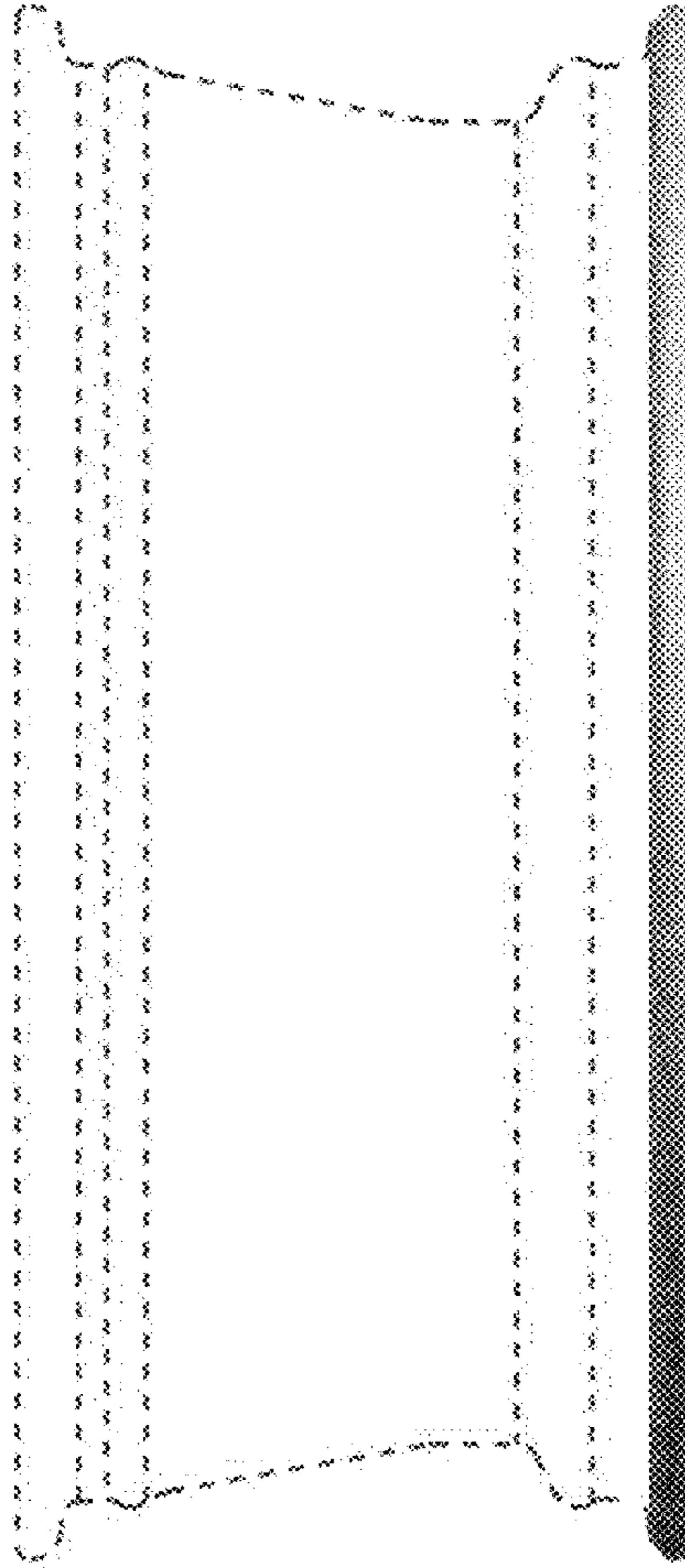


FIG. 3