



US00D893380S

(12) **United States Design Patent**
Vincent et al.

(10) **Patent No.:** **US D893,380 S**

(45) **Date of Patent:** **** Aug. 18, 2020**

(54) **AUTOMOBILE WHEEL**

(71) Applicants: **Anthony Vincent**, Lake Orion, MI (US); **Michael Gillam**, Oxford, MI (US)

(72) Inventors: **Anthony Vincent**, Lake Orion, MI (US); **Michael Gillam**, Oxford, MI (US)

(73) Assignee: **FCA US LLC**, Auburn Hills, MI (US)

(**) Term: **15 Years**

(21) Appl. No.: **29/694,916**

(22) Filed: **Jun. 14, 2019**

(51) **LOC (12) Cl.** **12-16**

(52) **U.S. Cl.**
USPC **D12/209**

(58) **Field of Classification Search**
USPC D12/204–213; D21/563
CPC B60B 7/00; B60B 7/02; B60B 7/04; B60B 7/01; B60B 7/06; B60B 3/02; B60B 3/04; B60B 3/06; B60B 3/10; B60B 1/00; B60B 1/08; B60B 1/10; B60B 1/12
See application file for complete search history.

(56) **References Cited**

U.S. PATENT DOCUMENTS

D465,186 S * 11/2002 Chung D12/211
D526,265 S * 8/2006 Muzzarelli D12/209

D586,715 S * 2/2009 Cortes D12/211
D625,238 S * 10/2010 Zhao D12/209
D670,227 S * 11/2012 Chung D12/211
D712,330 S * 9/2014 Chung D12/209
D732,449 S * 6/2015 Grake D12/209
D733,025 S * 6/2015 Chung D12/204
D781,197 S * 3/2017 Ninov D12/209
D817,846 S * 5/2018 Stone D12/209
D835,024 S * 12/2018 Han D12/209
D857,583 S * 8/2019 Harriton D12/209
D876,309 S * 2/2020 Echazabal D12/209

* cited by examiner

Primary Examiner — Stacia A Cadmus

(74) *Attorney, Agent, or Firm* — Ralph E. Smith

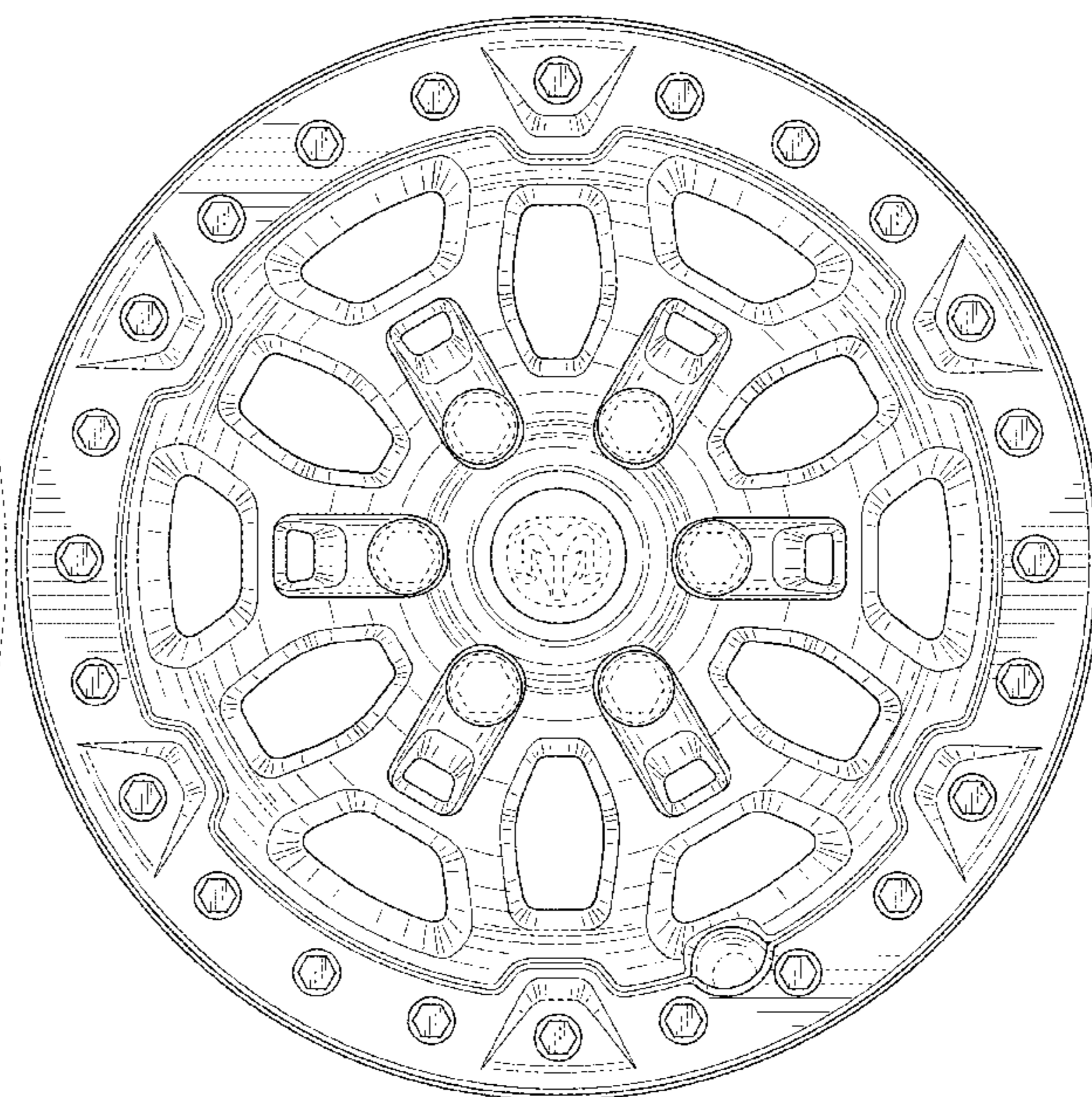
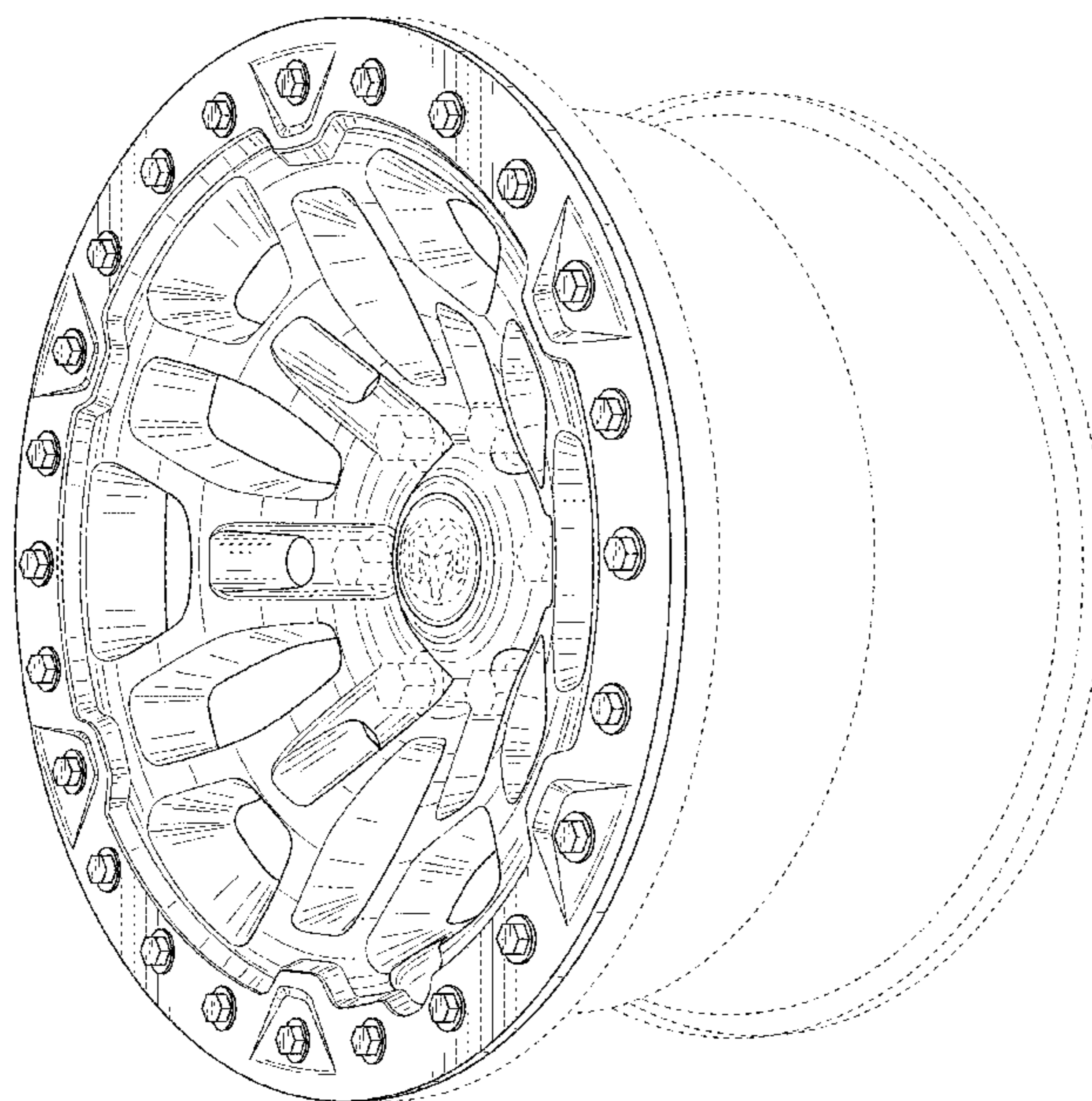
(57) **CLAIM**

The ornamental design for an automobile wheel, as shown and described.

DESCRIPTION

FIG. 1 is a left perspective of an automobile wheel showing our new design;
FIG. 2 is a right perspective view thereof; and,
FIG. 3 is a front view thereof.
It will be understood that the broken lines shown in the drawings illustrate portions of the automobile wheel that form no part of the claimed design.

1 Claim, 3 Drawing Sheets



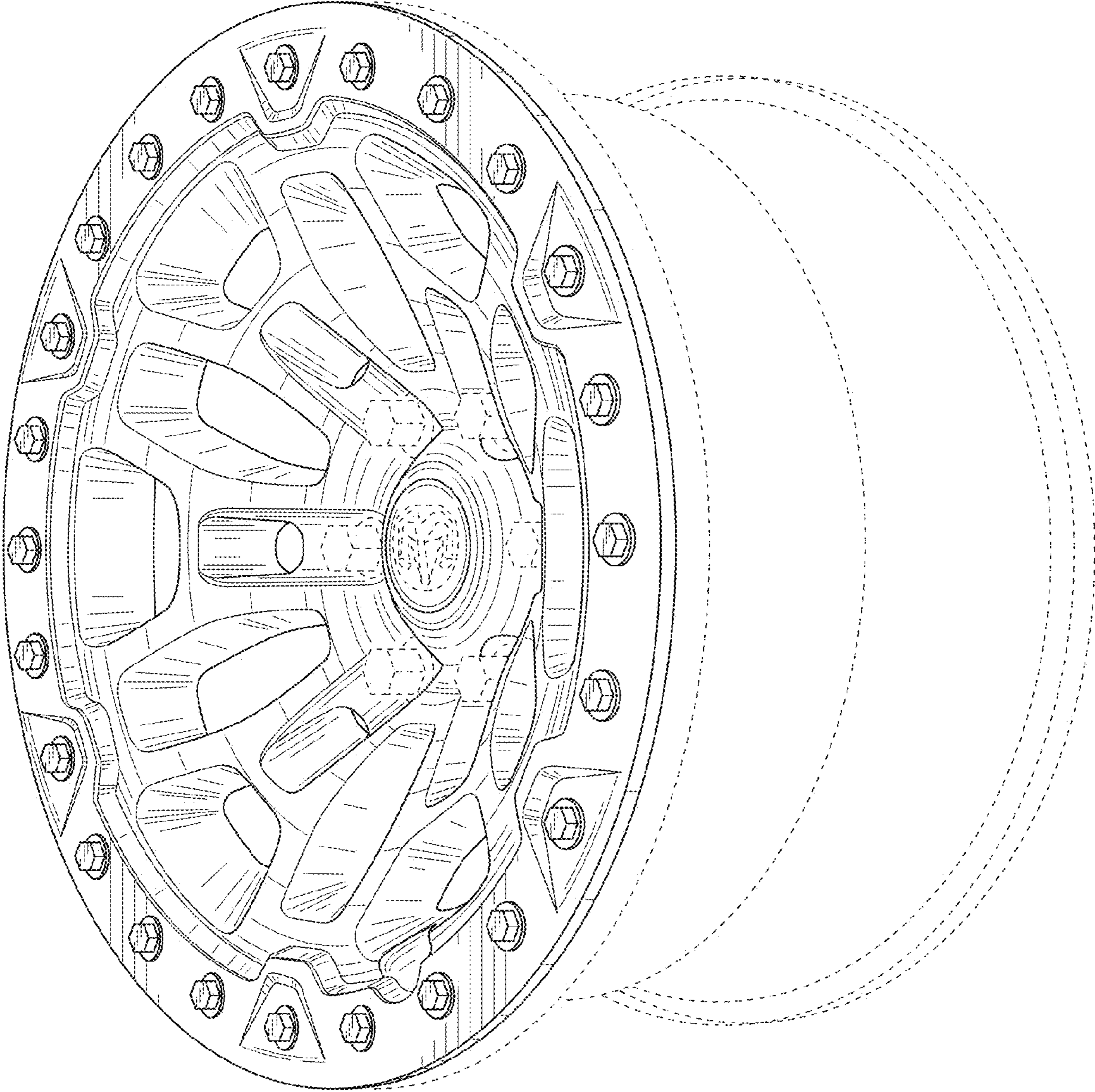


FIG. 1

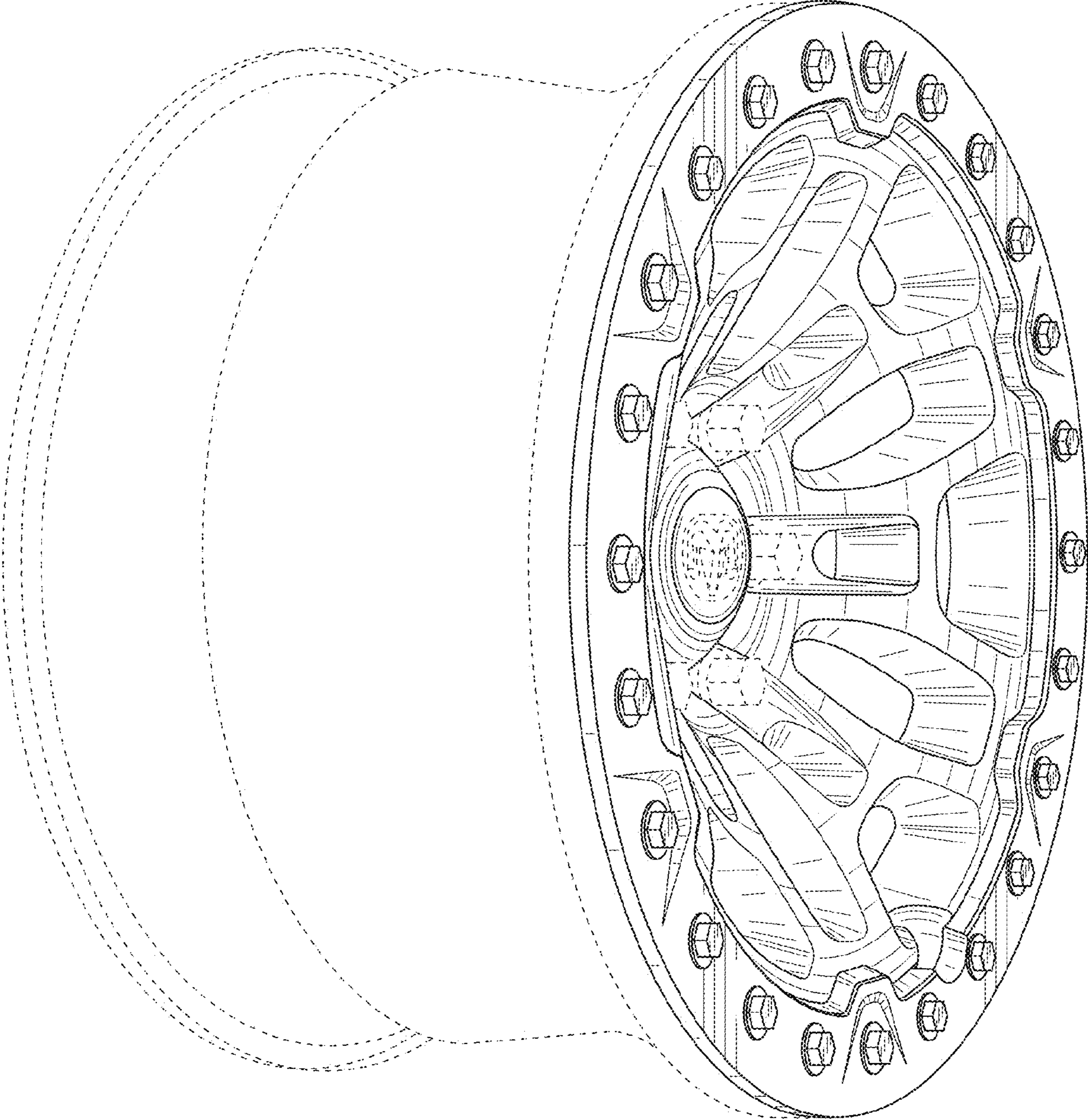


FIG. 2

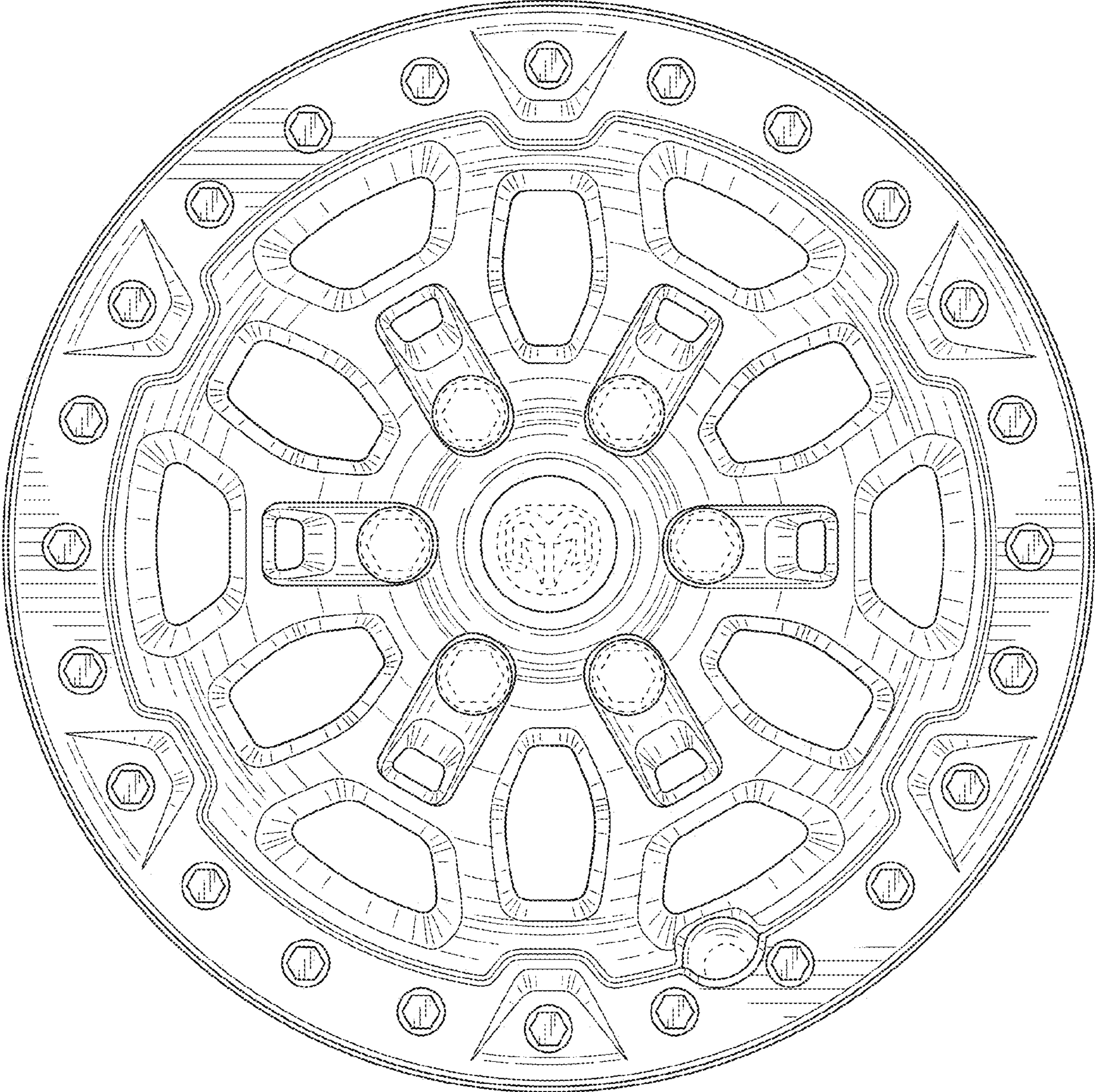


FIG. 3