



US00D893378S

(12) **United States Design Patent**  
**DiGuglielmo et al.**

(10) **Patent No.:** **US D893,378 S**

(45) **Date of Patent:** **\*\* Aug. 18, 2020**

(54) **WHEEL FOR VEHICLES**

(71) Applicant: **ICON VEHICLE DYNAMICS LLC**,  
Riverside, CA (US)

(72) Inventors: **Antonio DiGuglielmo**, Riverside, CA  
(US); **Zachary Kingsland**, Laguna  
Hills, CA (US)

(73) Assignee: **ION VEHICLE DYNAMICS LLC**,  
Riverside, CA (US)

(\*\*) Term: **15 Years**

(21) Appl. No.: **29/634,945**

(22) Filed: **Jan. 25, 2018**

(51) **LOC (12) Cl.** ..... **12-16**

(52) **U.S. Cl.**  
USPC ..... **D12/209**

(58) **Field of Classification Search**  
USPC ..... D12/204–213; D21/533, 561, 563  
CPC .... B60B 7/00; B60B 7/02; B60B 7/04; B60B  
7/06; B60B 3/02; B60B 3/04; B60B 3/06;  
B60B 3/10; B60B 1/00; B60B 1/08;  
B60B 1/10; B60B 1/12  
See application file for complete search history.

(56) **References Cited**

**U.S. PATENT DOCUMENTS**

D451,066	S	*	11/2001	Pfeiffer	.....	D12/211
D660,220	S	*	5/2012	Chan	.....	D12/211
D680,940	S	*	4/2013	Hale, Jr.	.....	D12/211
D704,122	S	*	5/2014	Chung	.....	D12/211
D714,708	S	*	10/2014	Chung	.....	D12/211
D721,318	S	*	1/2015	Kim	.....	D12/211
D726,630	S	*	4/2015	Kong	.....	D12/211
D727,829	S	*	4/2015	Chung	.....	D12/211
D769,785	S	*	10/2016	Wells	.....	D12/211
D800,628	S	*	10/2017	Tran	.....	D12/209
D817,844	S	*	5/2018	Hale, Jr.	.....	D12/209
D818,412	S	*	5/2018	Oldham	.....	D12/211

D821,284	S	*	6/2018	Tran	.....	D12/209
D823,214	S	*	7/2018	Chung	.....	D12/209
D826,827	S	*	8/2018	Tran	.....	D12/209
D830,268	S	*	10/2018	Hale, Jr.	.....	D12/209
D832,765	S	*	11/2018	Han	.....	D12/211
D833,942	S	*	11/2018	Chung	.....	D12/209
D835,021	S	*	12/2018	Sempek	.....	D12/209
D845,863	S	*	4/2019	Chung	.....	D12/211

(Continued)

*Primary Examiner* — Sheryl Lane

*Assistant Examiner* — Calvin E Vansant

(74) *Attorney, Agent, or Firm* — Knobbe, Martens, Olson  
& Bear, LLP

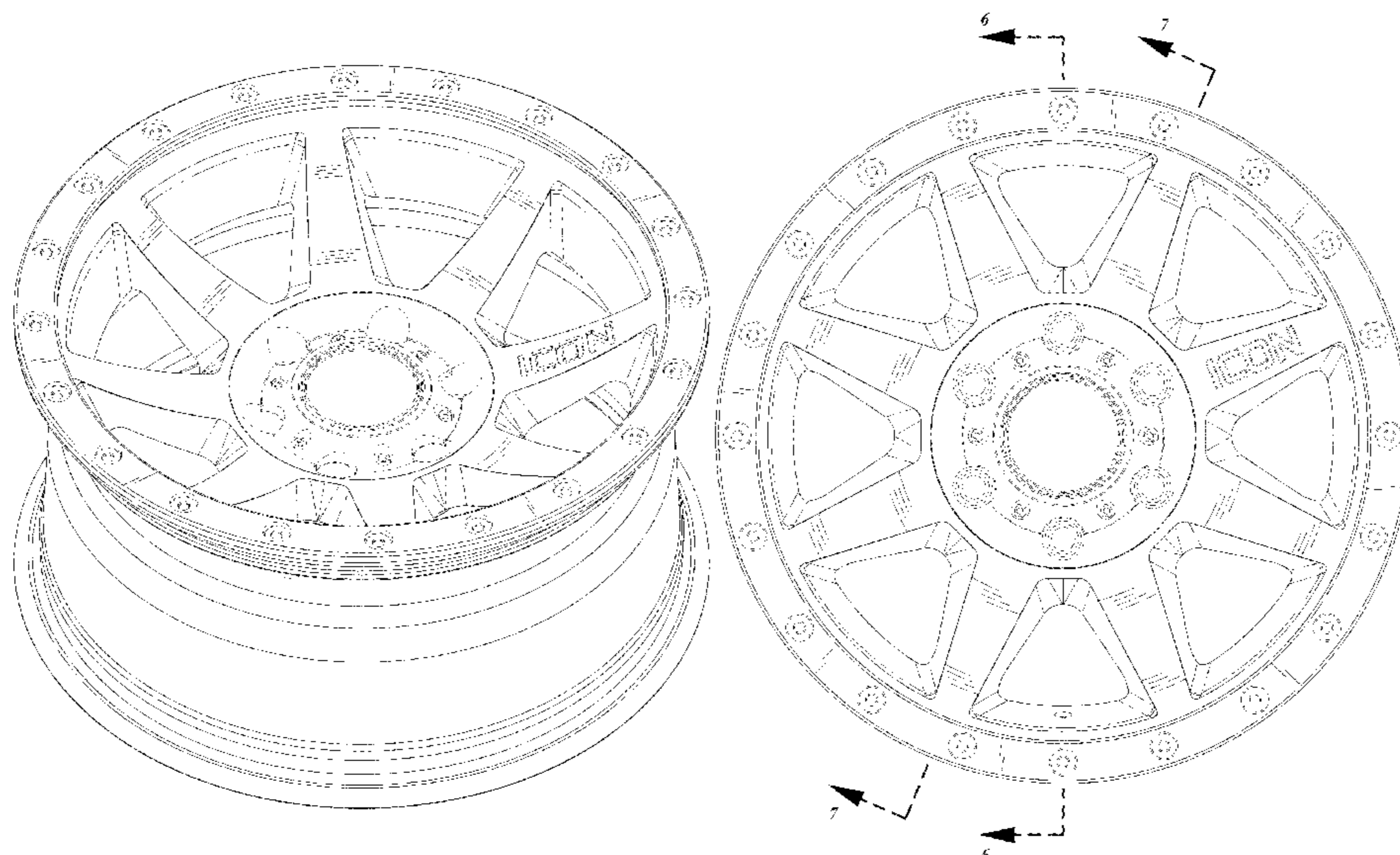
(57) **CLAIM**

The ornamental design for a wheel for vehicles, as shown  
and described.

**DESCRIPTION**

FIG. 1 is a top-side isometric view of a first embodiment of the design for a wheel for vehicles;  
 FIG. 2 is first, second, and third side views thereof;  
 FIG. 3 is a fourth side view thereof;  
 FIG. 4 is a top view thereof;  
 FIG. 5 is a bottom view thereof;  
 FIG. 6 is a first cross-sectional side view thereof; and  
 FIG. 7 is a second cross-sectional side view thereof.  
 FIG. 8 is a top-side isometric view of a second embodiment of the design for a wheel for vehicles;  
 FIG. 9 is first, second, and third side views thereof;  
 FIG. 10 is a fourth side view thereof;  
 FIG. 11 is a top view thereof;  
 FIG. 12 is a bottom view thereof;  
 FIG. 13 is a first cross-sectional side view thereof; and,  
 FIG. 14 is a second cross-sectional side view thereof.  
 In the drawings, the dashed broken lines show portions of the wheel for vehicles that form no part of the claimed design. The dot-dash lines represent boundaries of the claim and form no part of the claim.

**1 Claim, 14 Drawing Sheets**



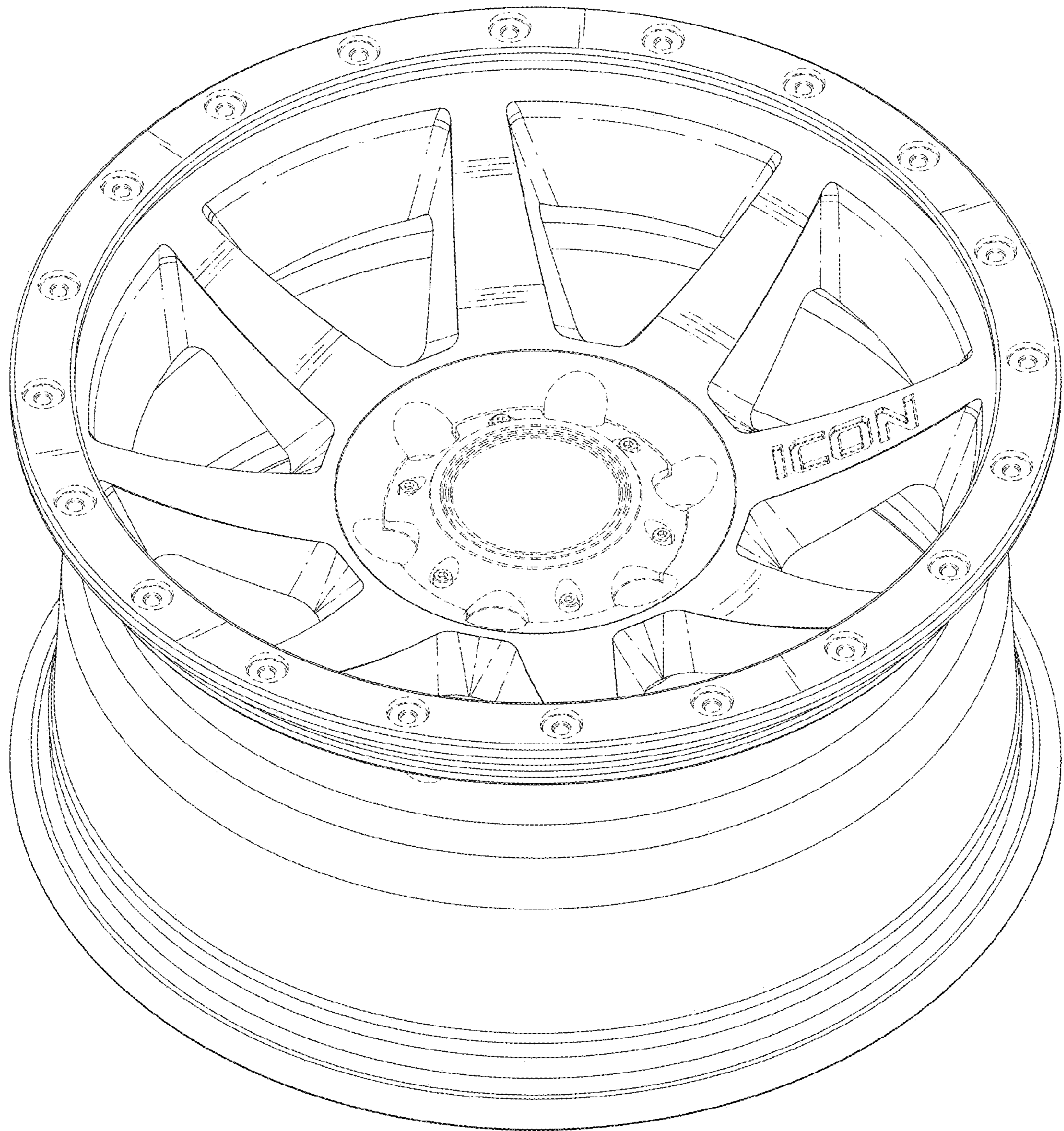
(56)

**References Cited**

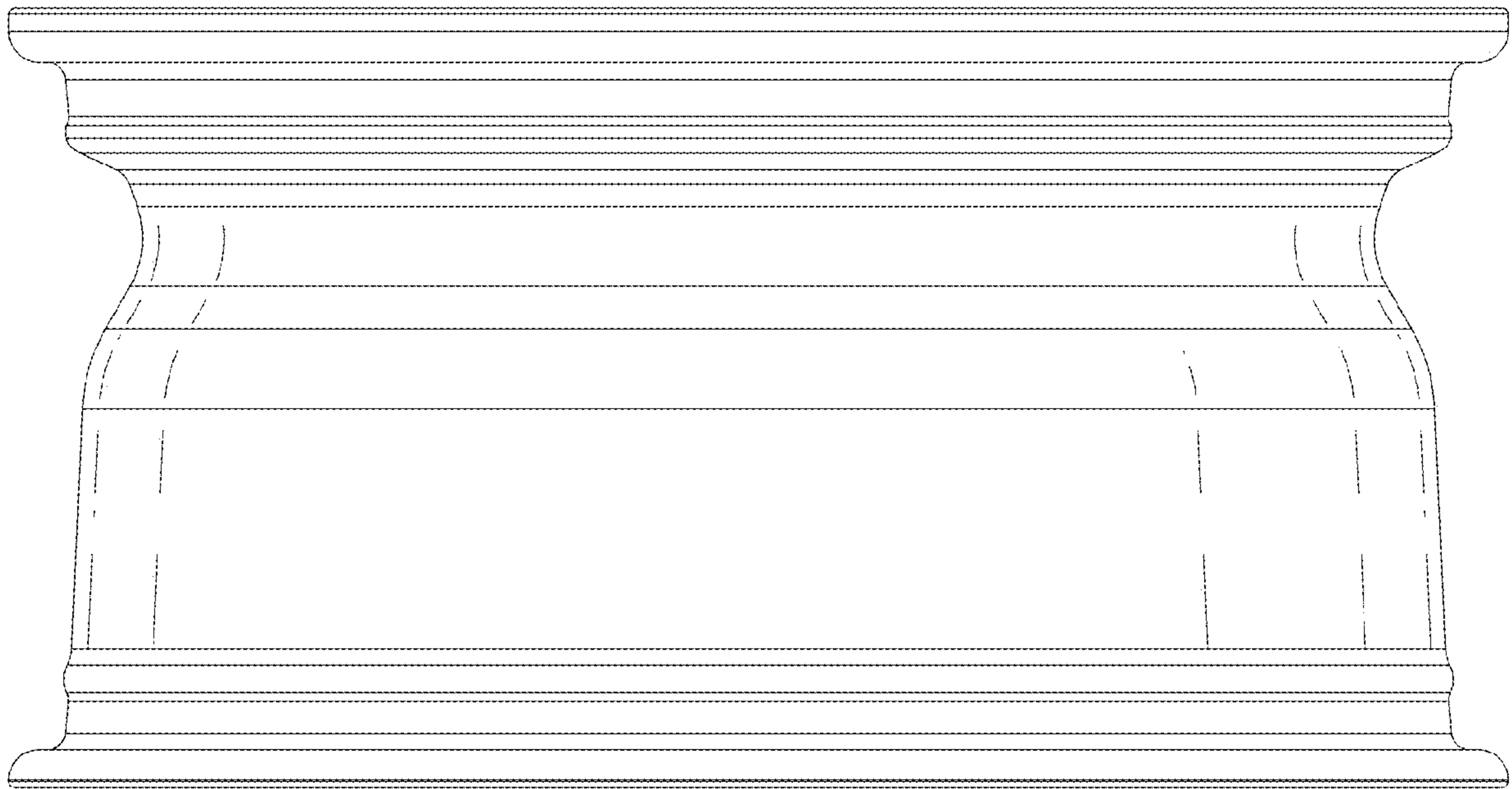
U.S. PATENT DOCUMENTS

D847,718 S *	5/2019	Han .....	D12/209
D848,927 S *	5/2019	Kleinschuster .....	D12/211
D849,653 S *	5/2019	Chung .....	D12/209
D852,111 S *	6/2019	Kong .....	D12/211
D856,245 S *	8/2019	Hale, Jr. ....	D12/209
D859,277 S *	9/2019	Hale, Jr. ....	D12/213
D860,099 S *	9/2019	Milani .....	D12/209
D878,992 S *	3/2020	Yeh .....	D12/209

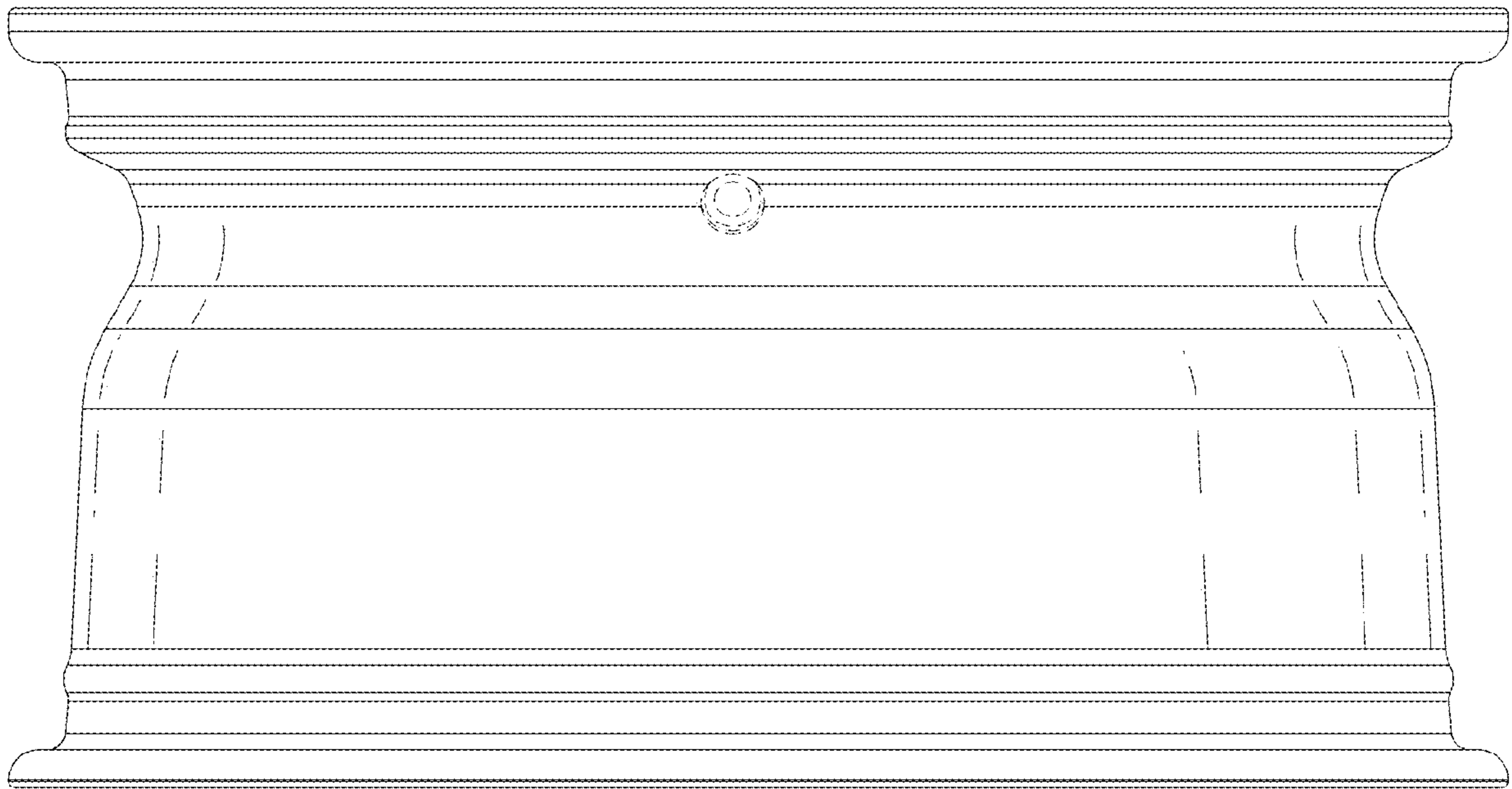
\* cited by examiner



*FIG. 1*



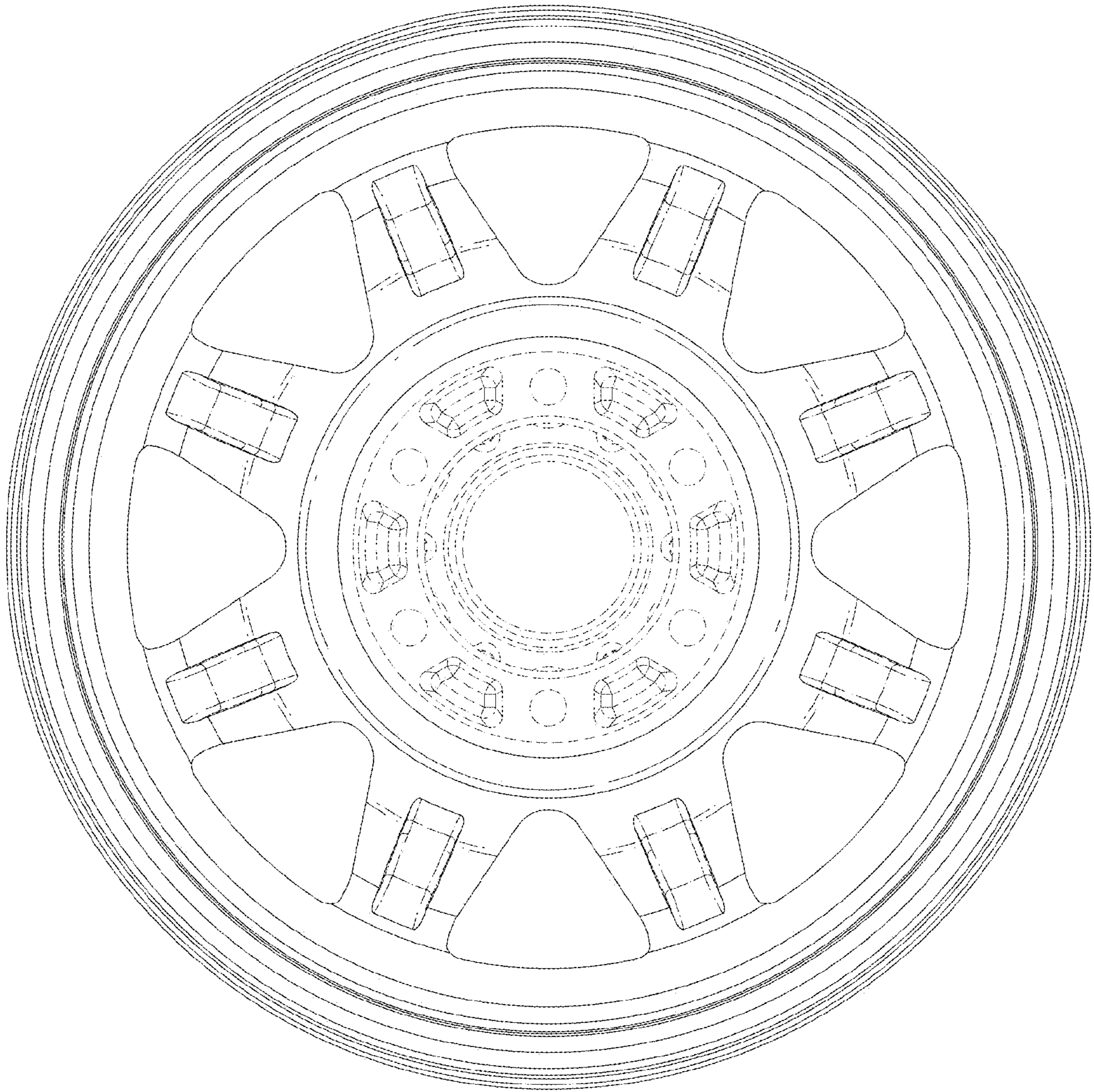
*FIG. 2*



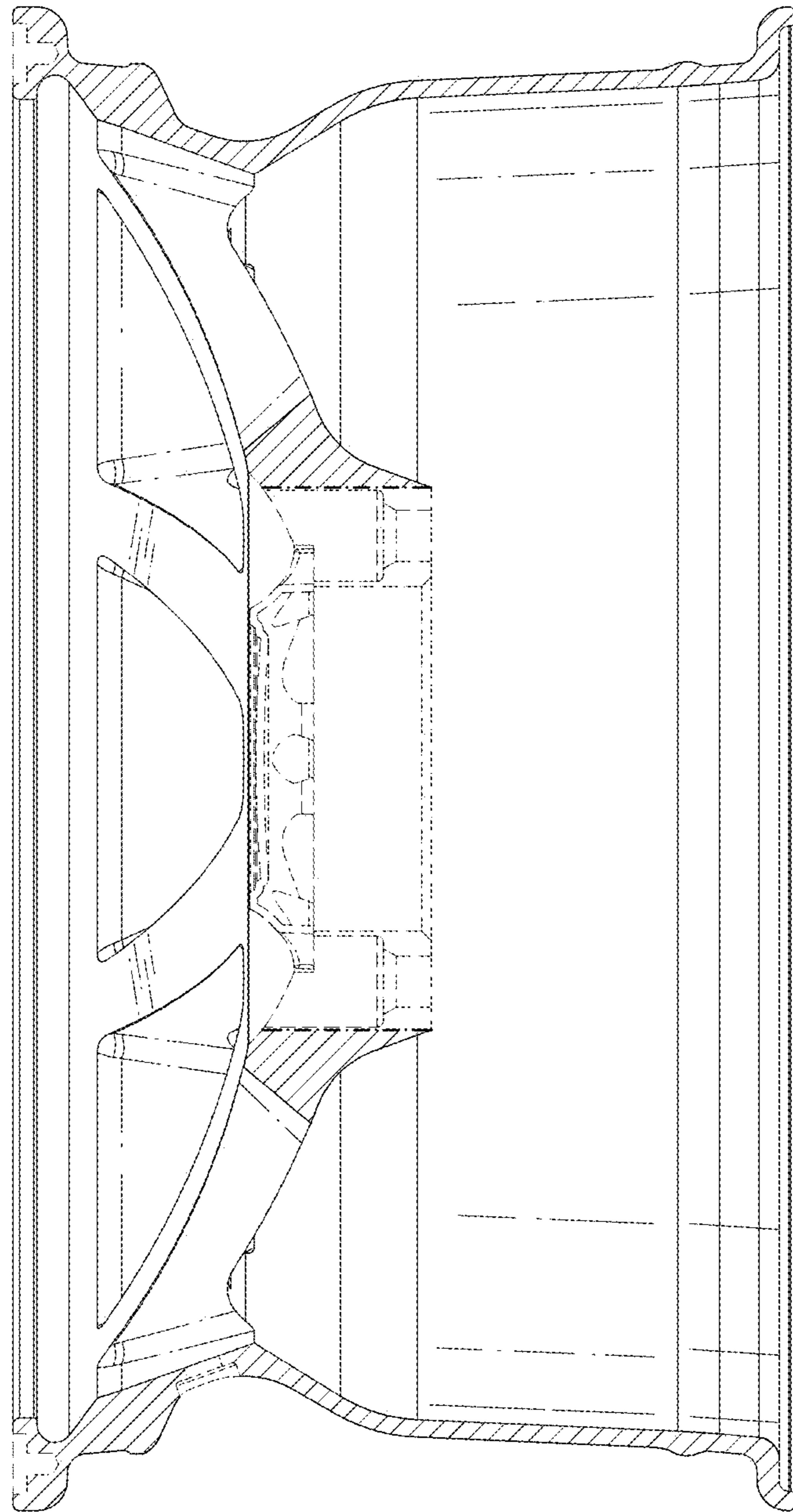
*FIG. 3*



FIG. 4

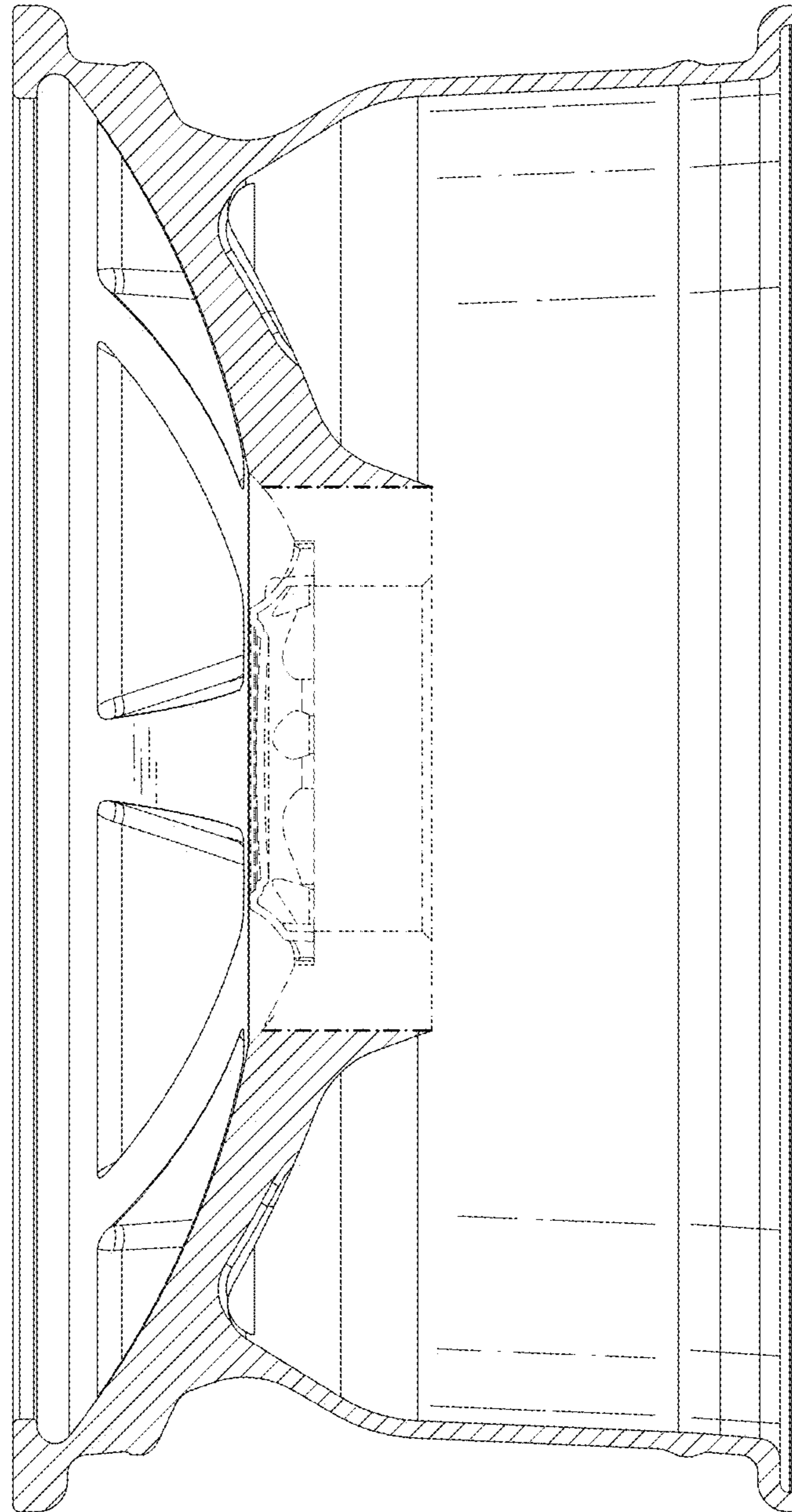


*FIG. 5*

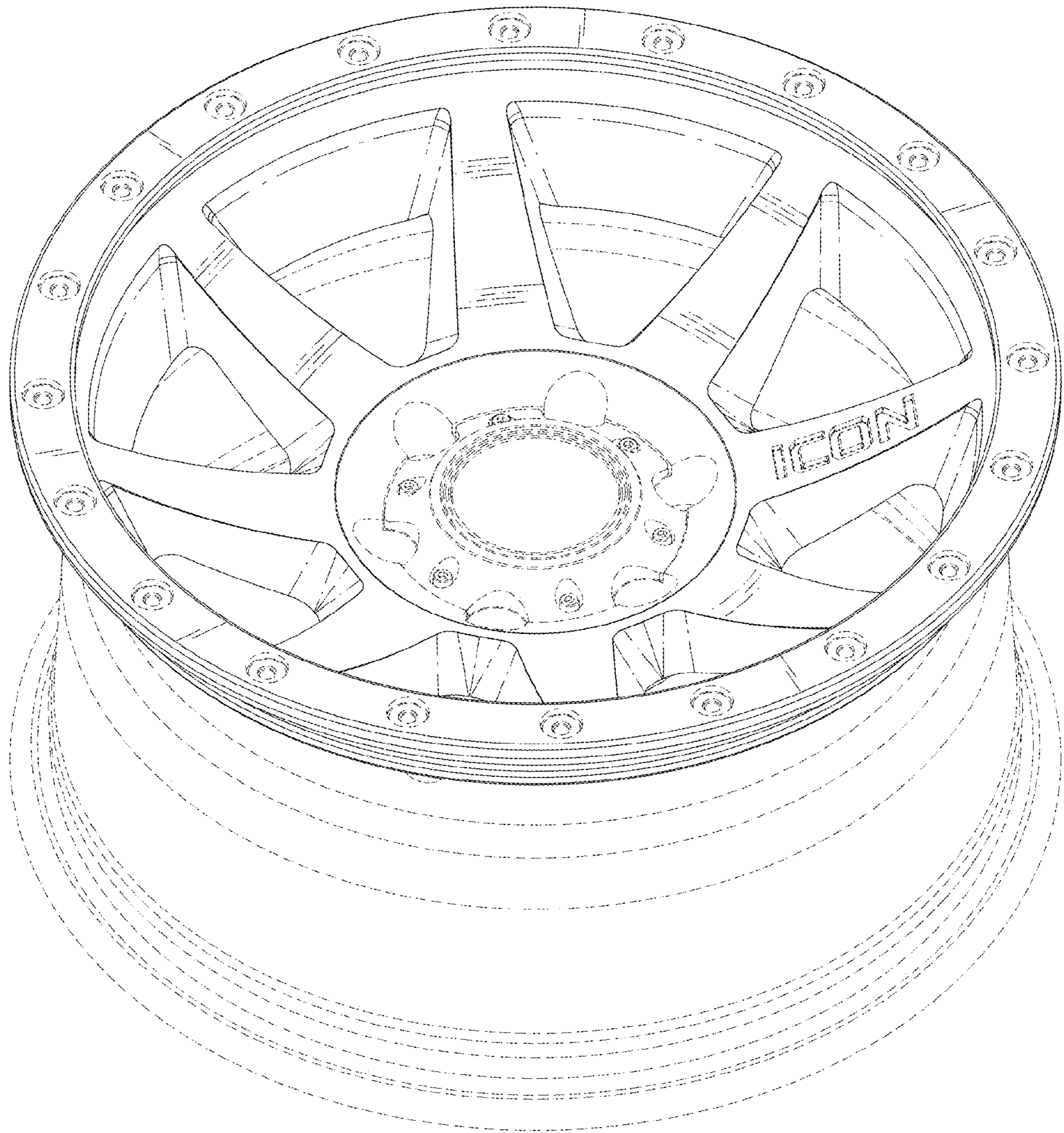


*FIG. 6*

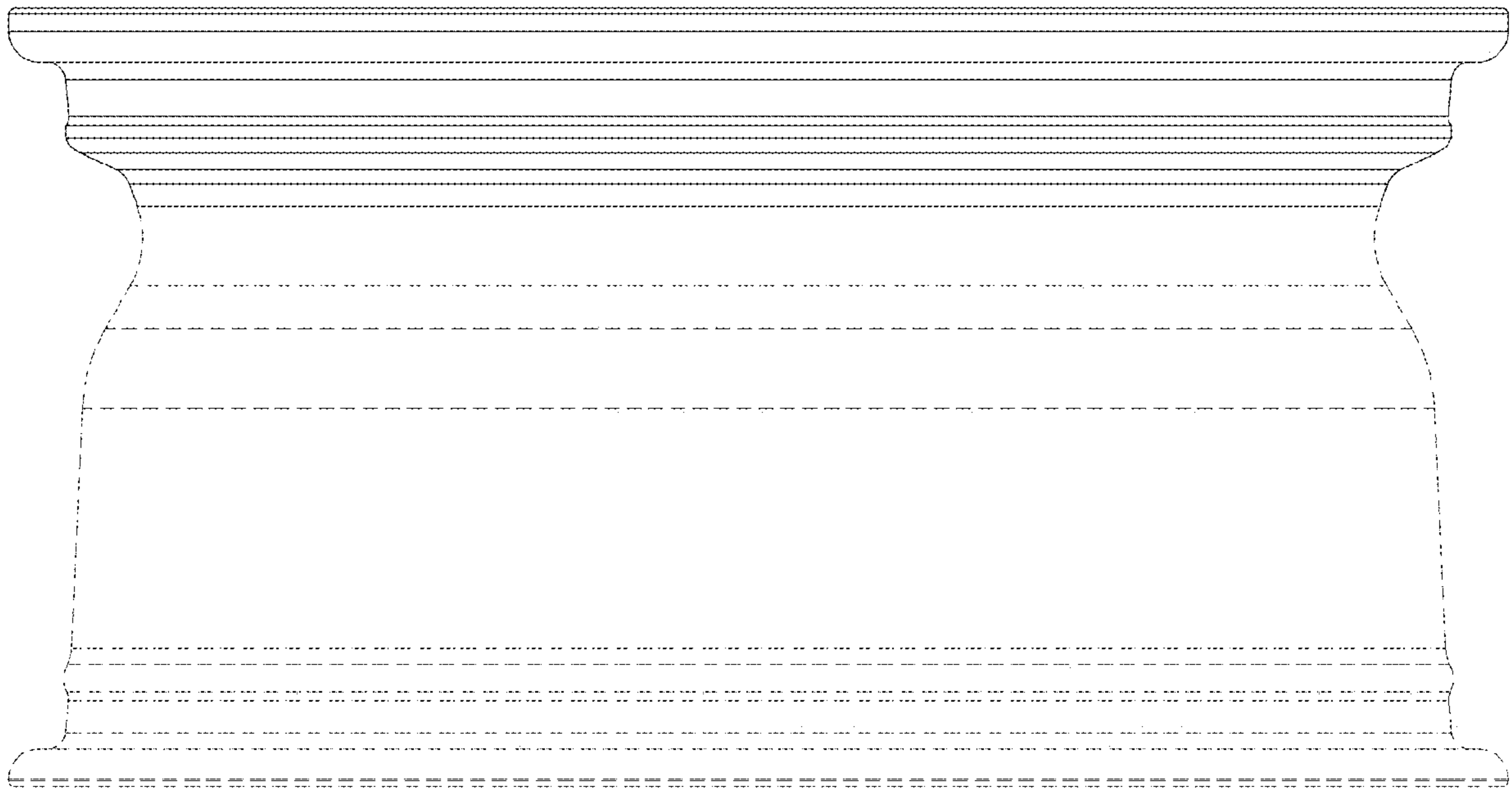




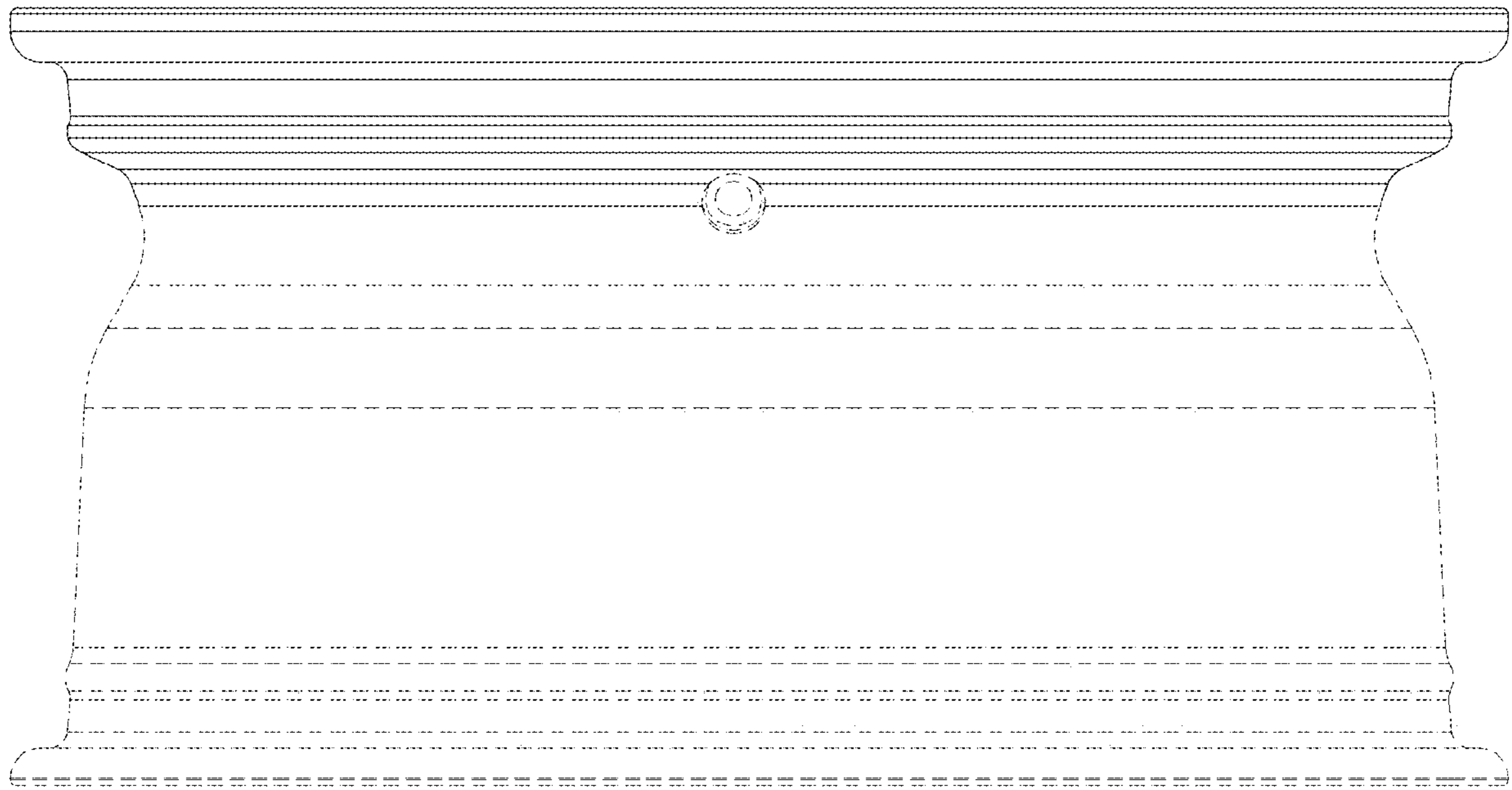
*FIG. 7*



*FIG. 8*



*FIG. 9*



*FIG. 10*

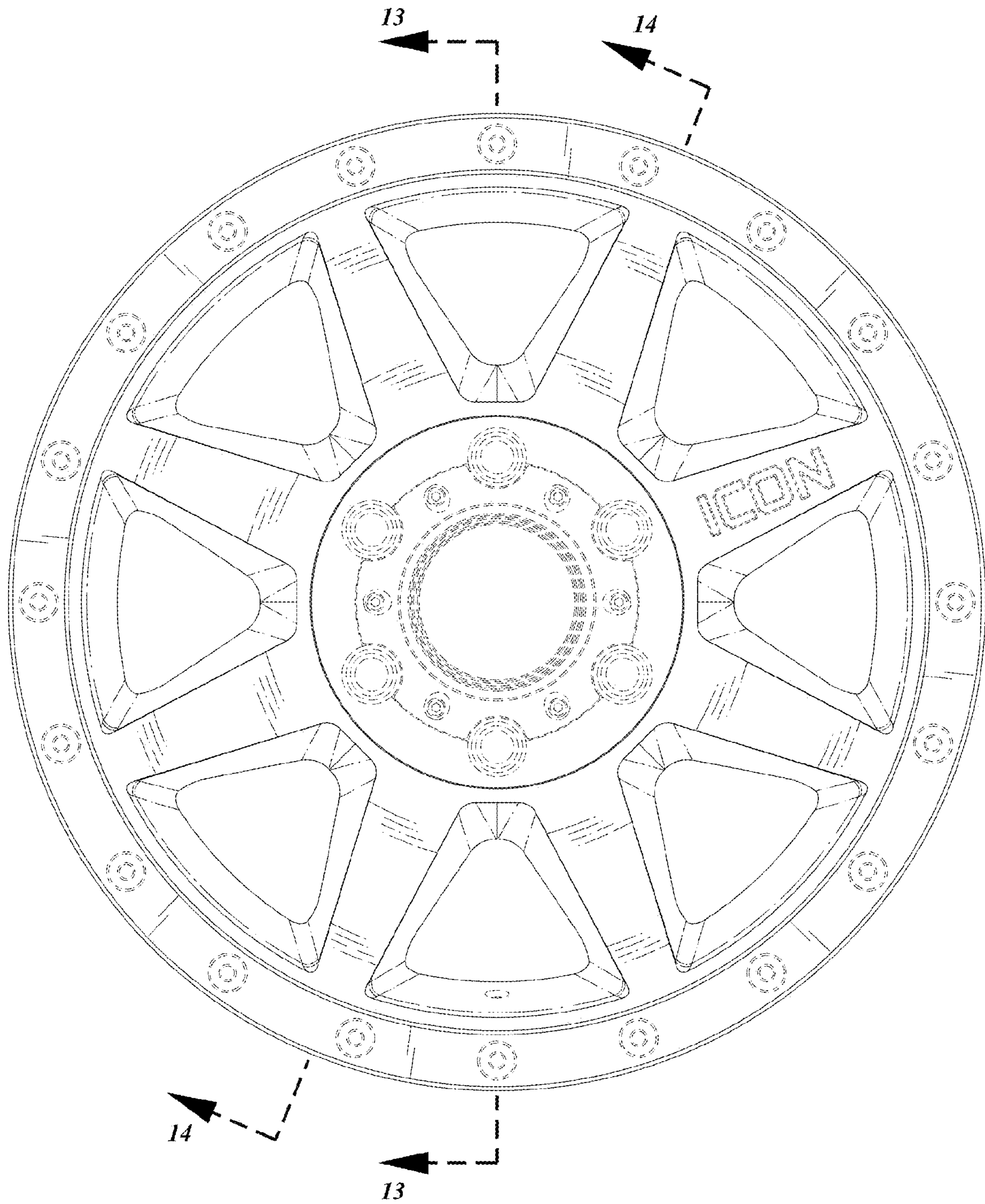
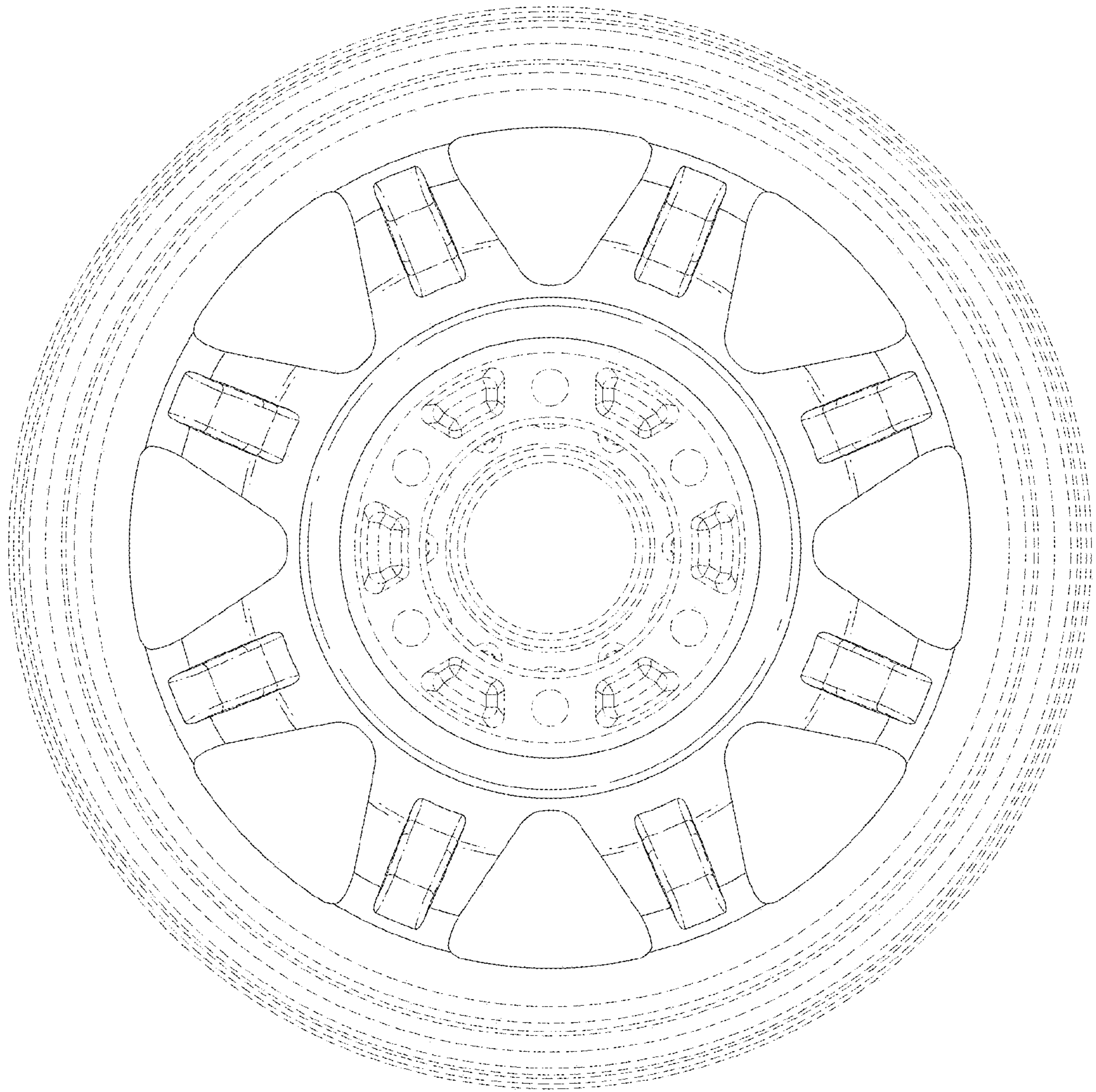
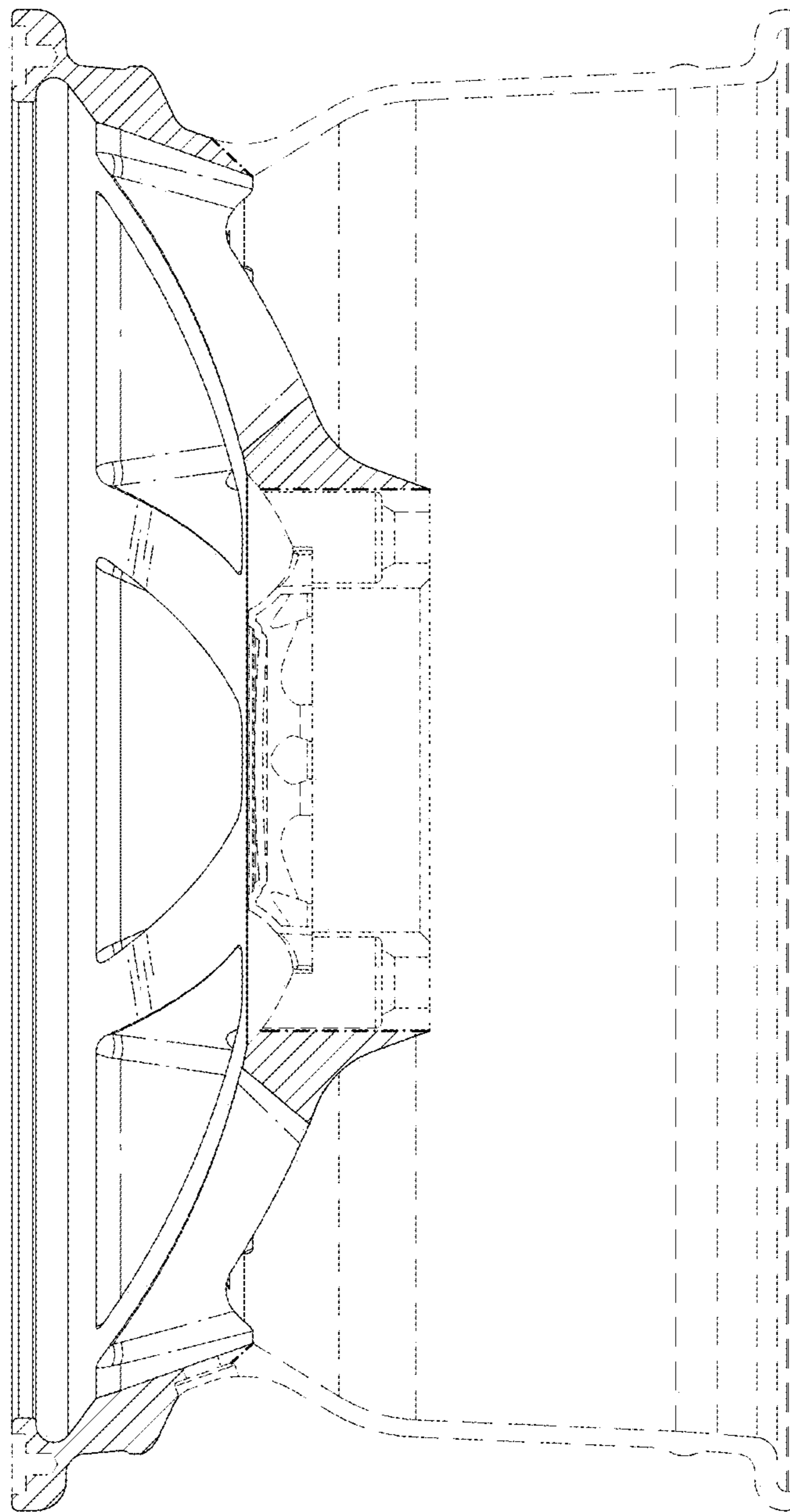


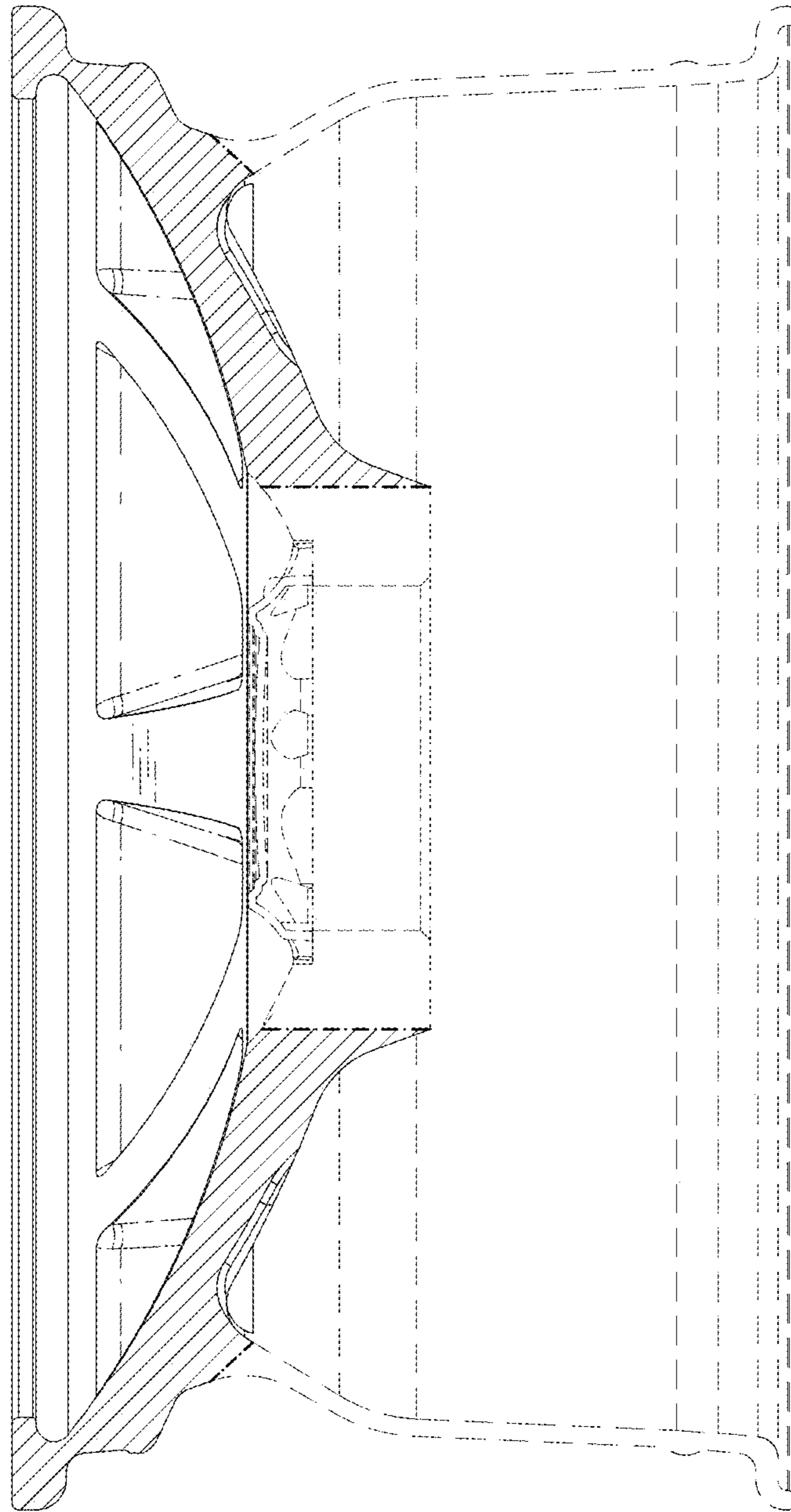
FIG. 11



*FIG. 12*



*FIG. 13*



*FIG. 14*



UNITED STATES PATENT AND TRADEMARK OFFICE  
**CERTIFICATE OF CORRECTION**

PATENT NO. : D893,378 S  
APPLICATION NO. : 29/634945  
DATED : August 18, 2020  
INVENTOR(S) : Antonio DiGuglielmo

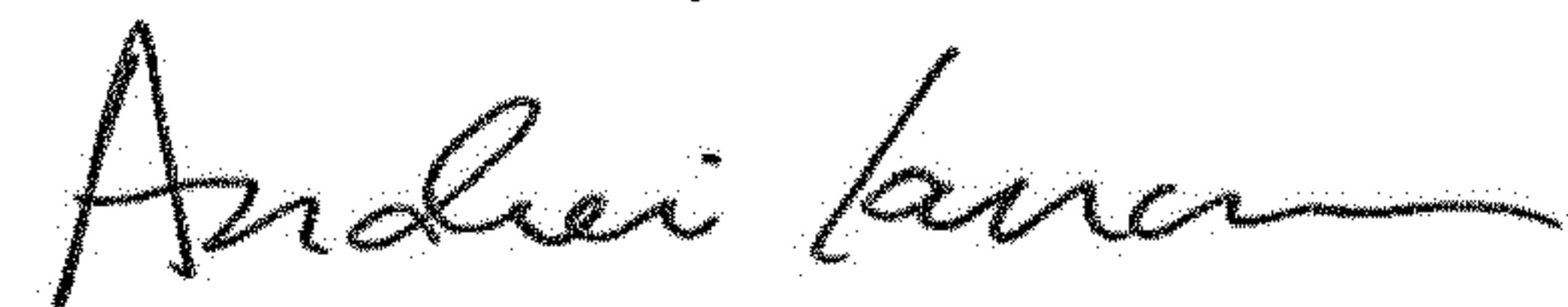
Page 1 of 1

It is certified that error appears in the above-identified patent and that said Letters Patent is hereby corrected as shown below:

On the Title Page

Column 1, Item (73), Line 1, under Assignee, delete "ION" and insert --ICON--.

Signed and Sealed this  
Twentieth Day of October, 2020



Andrei Iancu  
*Director of the United States Patent and Trademark Office*