



US00D893377S

(12) **United States Design Patent**
Kim et al.

(10) **Patent No.:** **US D893,377 S**

(45) **Date of Patent:** **** Aug. 18, 2020**

(54) **TAILGATE PANEL FOR AUTOMOBILE**

CPC B62D 25/02; B62D 25/18; B62D 25/08;
B62D 35/00; B62D 35/005; B60J 5/04;
B60R 19/02; B60R 19/04

(71) Applicants: **Kia Motors Corporation**, Seoul (KR);
Hyundai Motor Company, Seoul (KR)

See application file for complete search history.

(72) Inventors: **Jun Ho Kim**, Uiwang-si (KR); **Byung Moo Chung**, Seongnam-si (KR)

(56) **References Cited**

(73) Assignees: **Hyundai Motor Company**, Seoul (KR); **Kia Motors Corporation**, Seoul (KR)

U.S. PATENT DOCUMENTS

D647,835 S * 11/2011 Sowa D12/196
D663,665 S * 7/2012 Hakamata D12/196
D736,124 S * 8/2015 Glover D12/164
D749,480 S * 2/2016 Yu D12/196
D761,177 S * 7/2016 Behmer D12/196
D821,949 S * 7/2018 Bucher D12/196

(**) Term: **15 Years**

* cited by examiner

(21) Appl. No.: **35/507,267**

Primary Examiner — George D. Kirschbaum

(22) Filed: **Feb. 15, 2019**

Assistant Examiner — Calvin E Vansant

(80) **Hague Agreement Data**

Int. Filing Date: **Feb. 15, 2019**

Int. Reg. No.: **DM/201174**

Int. Reg. Date: **Feb. 15, 2019**

Int. Reg. Pub. Date: **Aug. 16, 2019**

(74) *Attorney, Agent, or Firm* — Mintz Levin Cohn Ferris Glovsky and Popeo, P.C.; Peter F. Corless; Carolina E. Säve

(57) **CLAIM**

The ornamental design for a tailgate panel for automobile, as shown and described.

DESCRIPTION

(30) **Foreign Application Priority Data**

Oct. 15, 2018 (KR) 30-2018-0047282

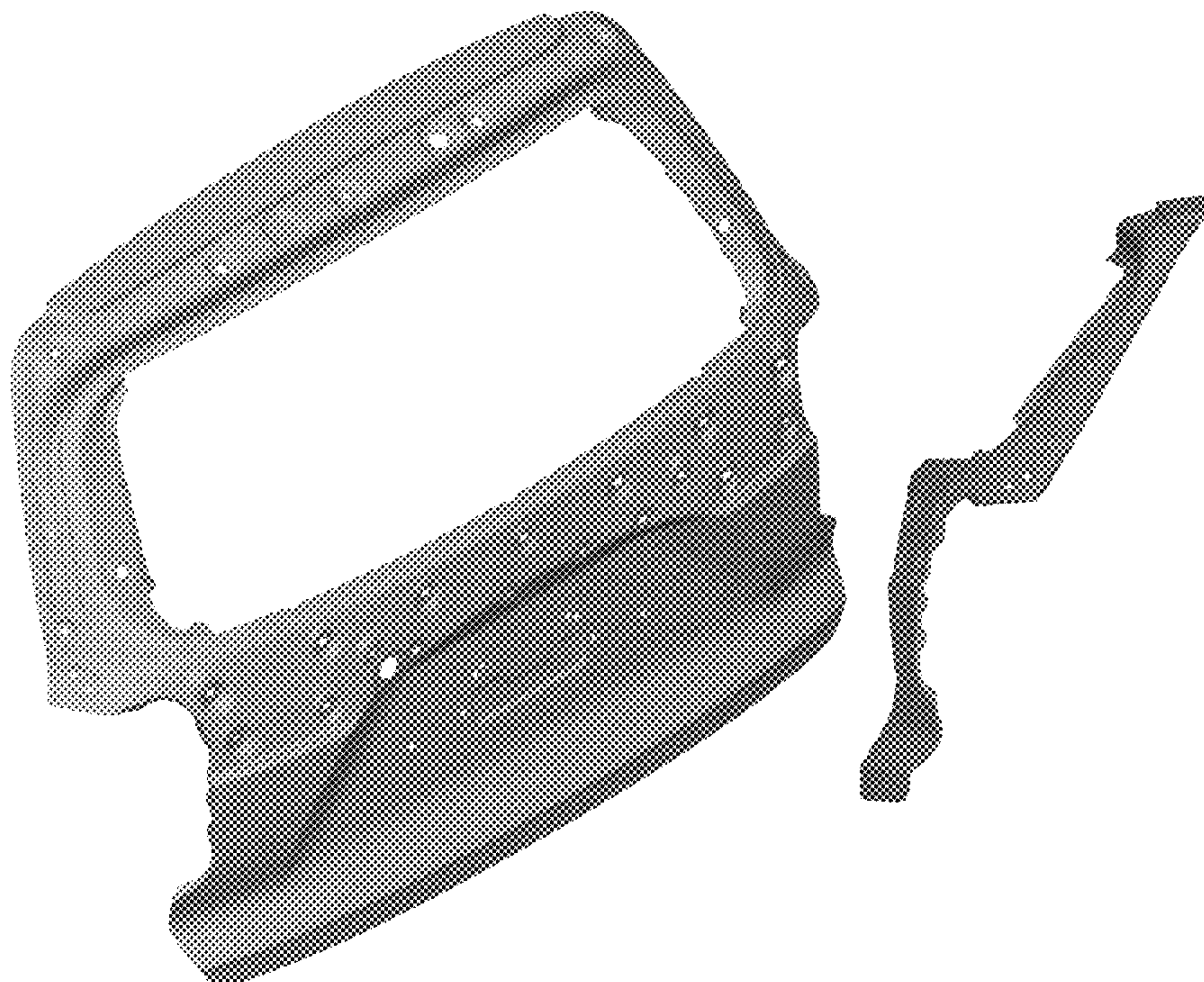
(51) **LOC (12) Cl.** **12-16**

(52) **U.S. Cl.**
USPC **D12/196**

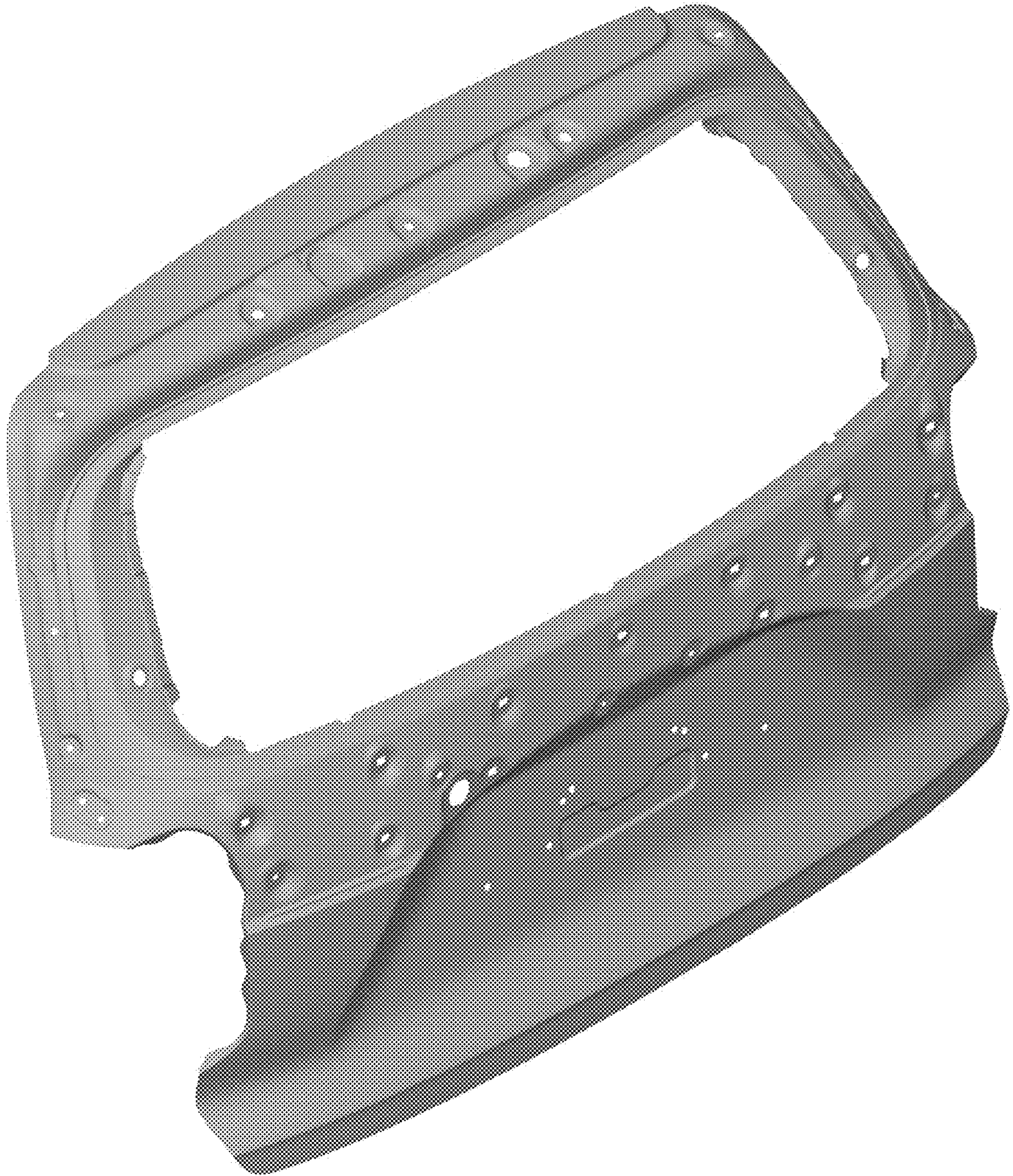
(58) **Field of Classification Search**
USPC D12/90, 91, 92, 184, 196; D24/533, 548,
D24/549

1. Tailgate panel for automobile
- 1.1 : Perspective
- 1.2 : Front
- 1.3 : Back
- 1.4 : Left
- 1.5 : Right
- 1.6 : Top
- 1.7 : Bottom

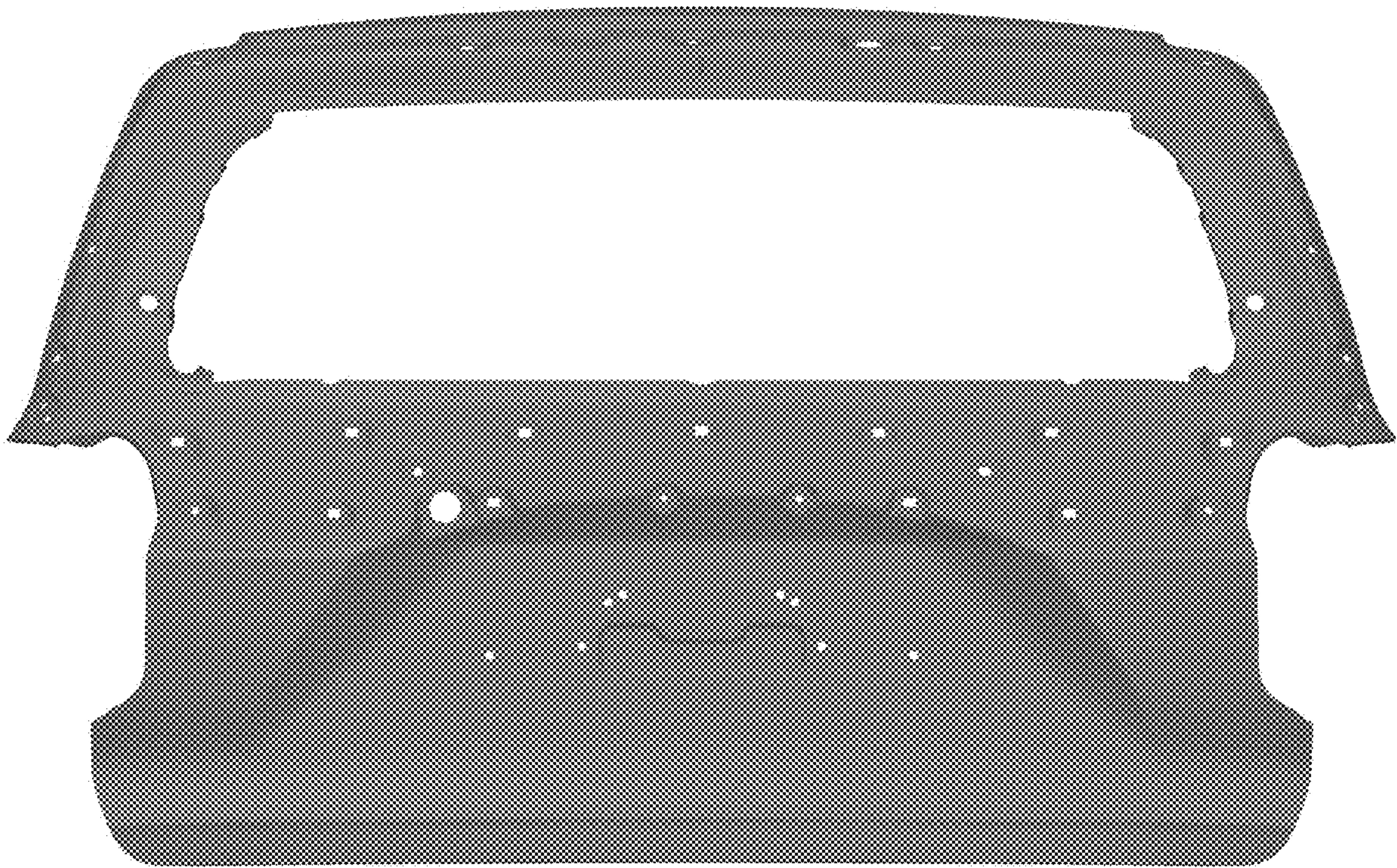
1 Claim, 7 Drawing Sheets



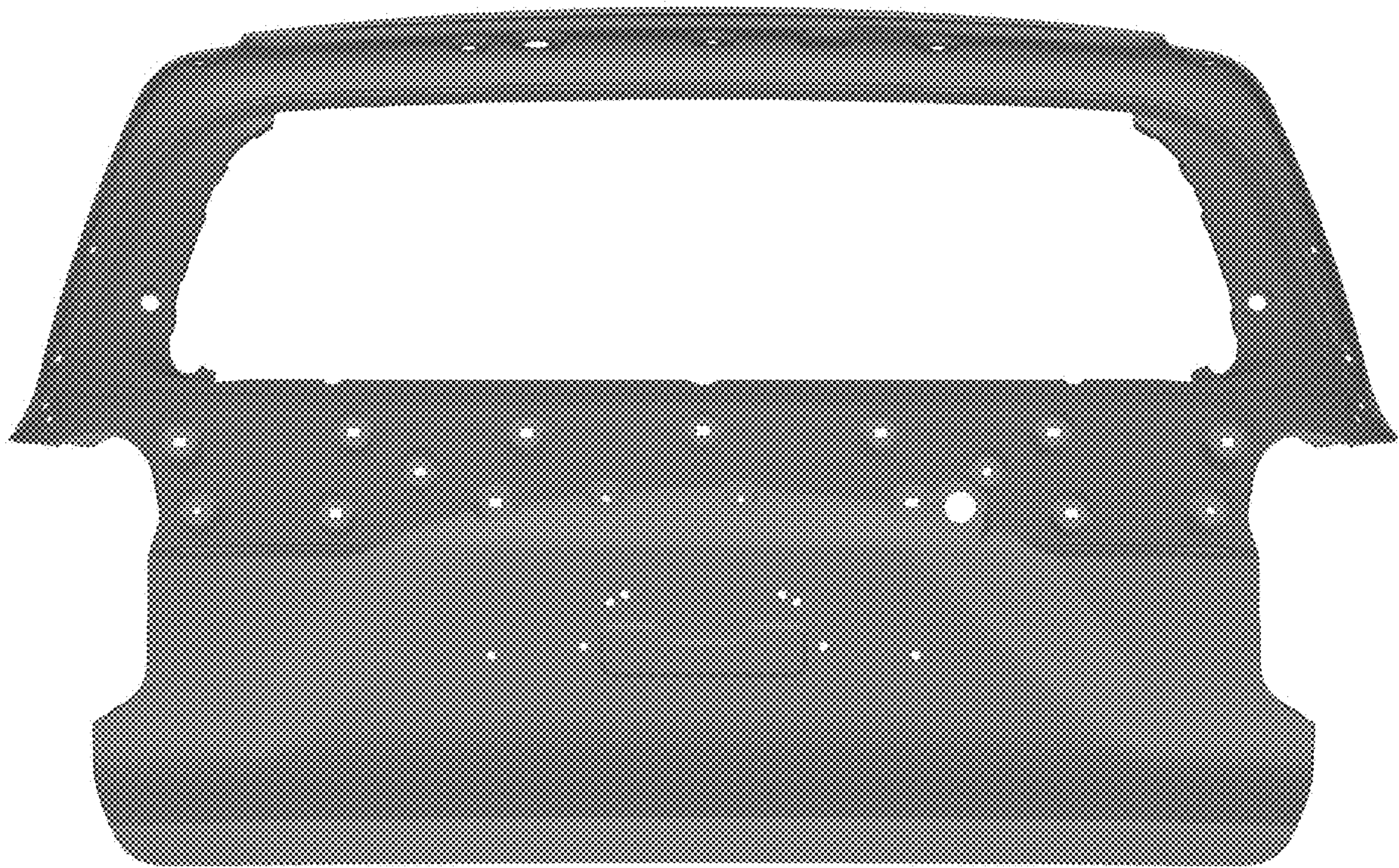
1.1



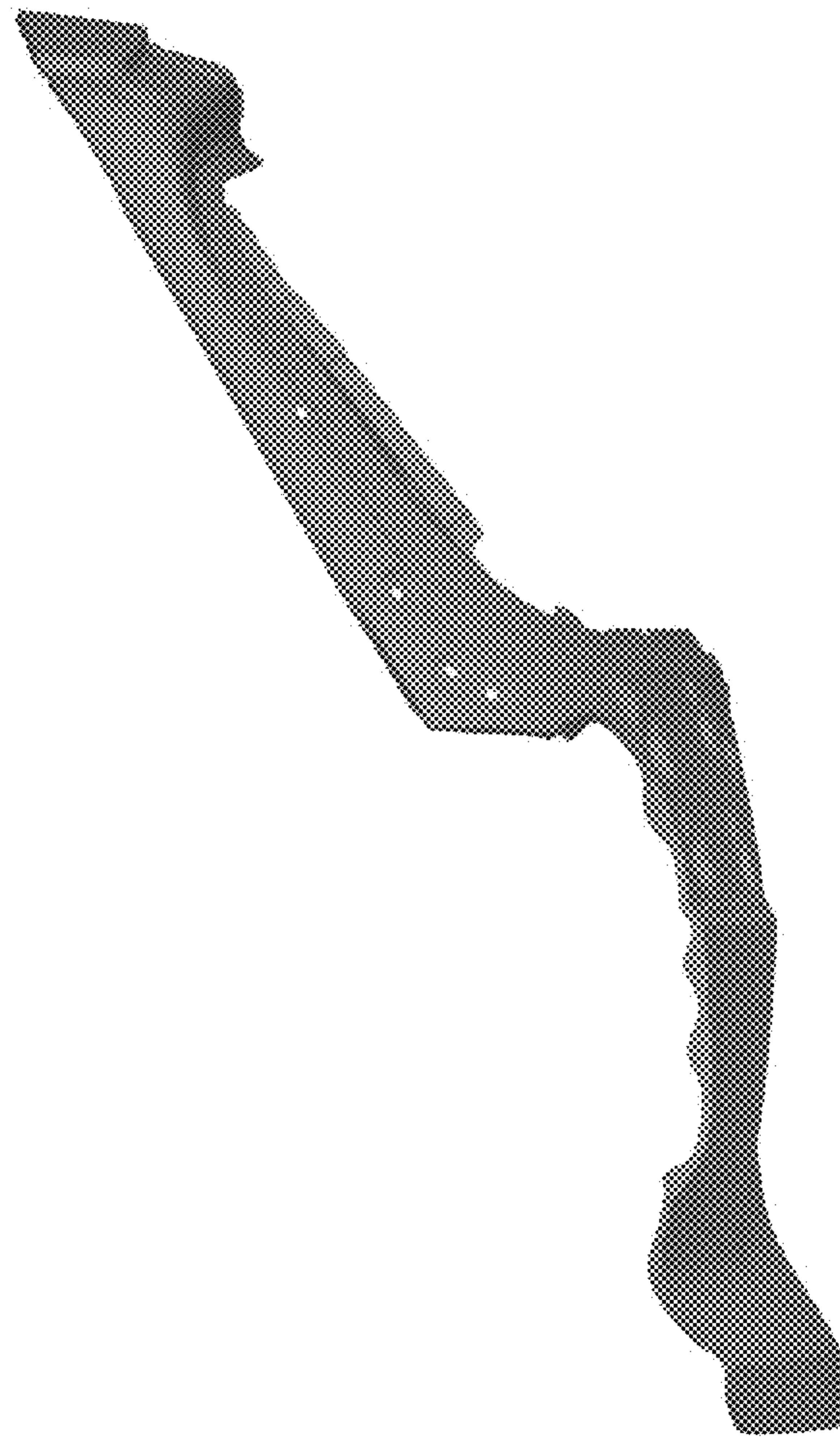
1.2



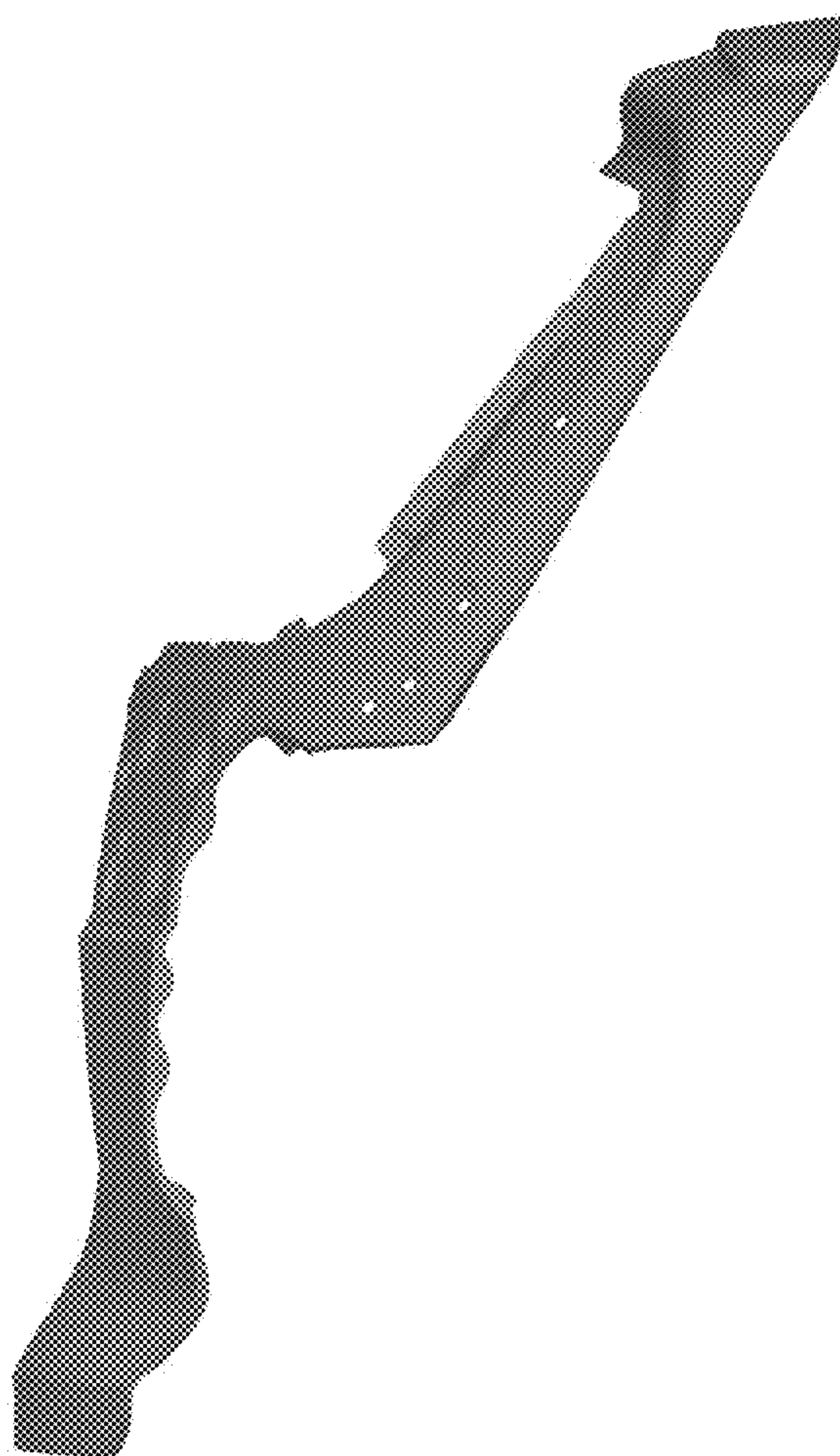
13



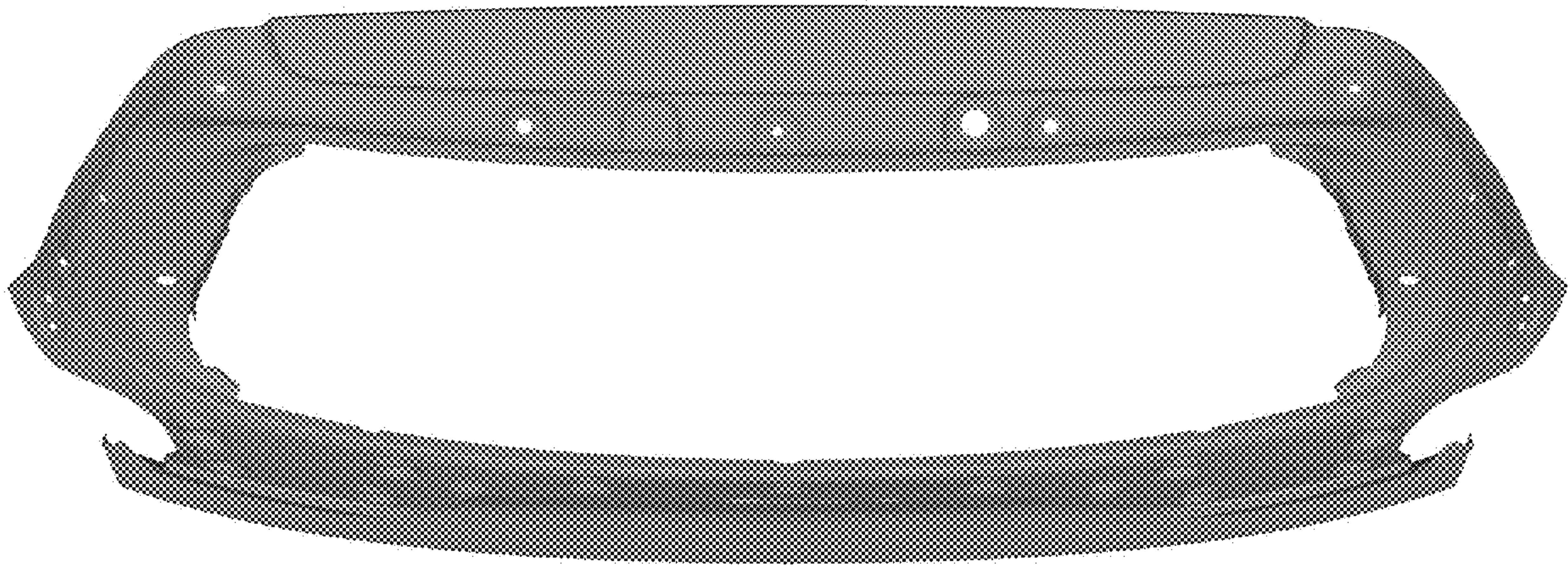
1.4



1.5



1.6



1.7

