



US00D893376S

(12) **United States Design Patent** (10) **Patent No.:** **US D893,376 S**
Oh et al. (45) **Date of Patent:** **** Aug. 18, 2020**

(54) **TAILGATE PANEL FOR AN AUTOMOBILE**

(56) **References Cited**

(71) Applicants: **Hyundai Motor Company**, Seoul (KR); **Kia Motors Corporation**, Seoul (KR)

U.S. PATENT DOCUMENTS

(72) Inventors: **Yun Seok Oh**, Ansan-si (KR); **Je Yeon Kim**, Seoul (KR)

D758,940 S *	6/2016	Cho	D12/196
D779,406 S *	2/2017	Park	D12/196
D781,195 S *	3/2017	Yu	D12/196
D816,003 S *	4/2018	Perkins	D12/184
D823,764 S *	7/2018	Ryu	D12/196
D829,147 S *	9/2018	Hwang	D12/196
D833,939 S *	11/2018	Kim	D12/196
D835,019 S *	12/2018	Kim	D12/196
D839,163 S *	1/2019	Pinazzo	D12/196
D857,578 S *	8/2019	Yu	D12/196
D873,193 S *	1/2020	Thogersen	D12/196
D873,753 S *	1/2020	Ahn	D12/196
D874,373 S *	2/2020	Kim	D12/196

(73) Assignees: **Hyundai Motor Company**, Seoul (KR); **Kia Motors Corporation**, Seoul (KR)

(**) Term: **15 Years**

* cited by examiner

(21) Appl. No.: **35/507,170**

Primary Examiner — George D. Kirschbaum

(22) Filed: **Jan. 22, 2019**

Assistant Examiner — Calvin E Vansant

(80) **Hague Agreement Data**

Int. Filing Date: **Jan. 22, 2019**

(74) *Attorney, Agent, or Firm* — Mintz Levin Cohn Ferris Glovsky and Popeo, P.C.; Peter F. Corless; Carolina E. Säve

Int. Reg. No.: **DM/201060**

Int. Reg. Date: **Jan. 22, 2019**

Int. Reg. Pub. Date: **Aug. 2, 2019**

(57) **CLAIM**

The ornamental design for a tailgate panel for an automobile, as shown and described.

(30) **Foreign Application Priority Data**

Aug. 31, 2018 (KR) 30-2018-0040608

DESCRIPTION

(51) **LOC (12) Cl.** **12-16**

(52) **U.S. Cl.**
USPC **D12/196**

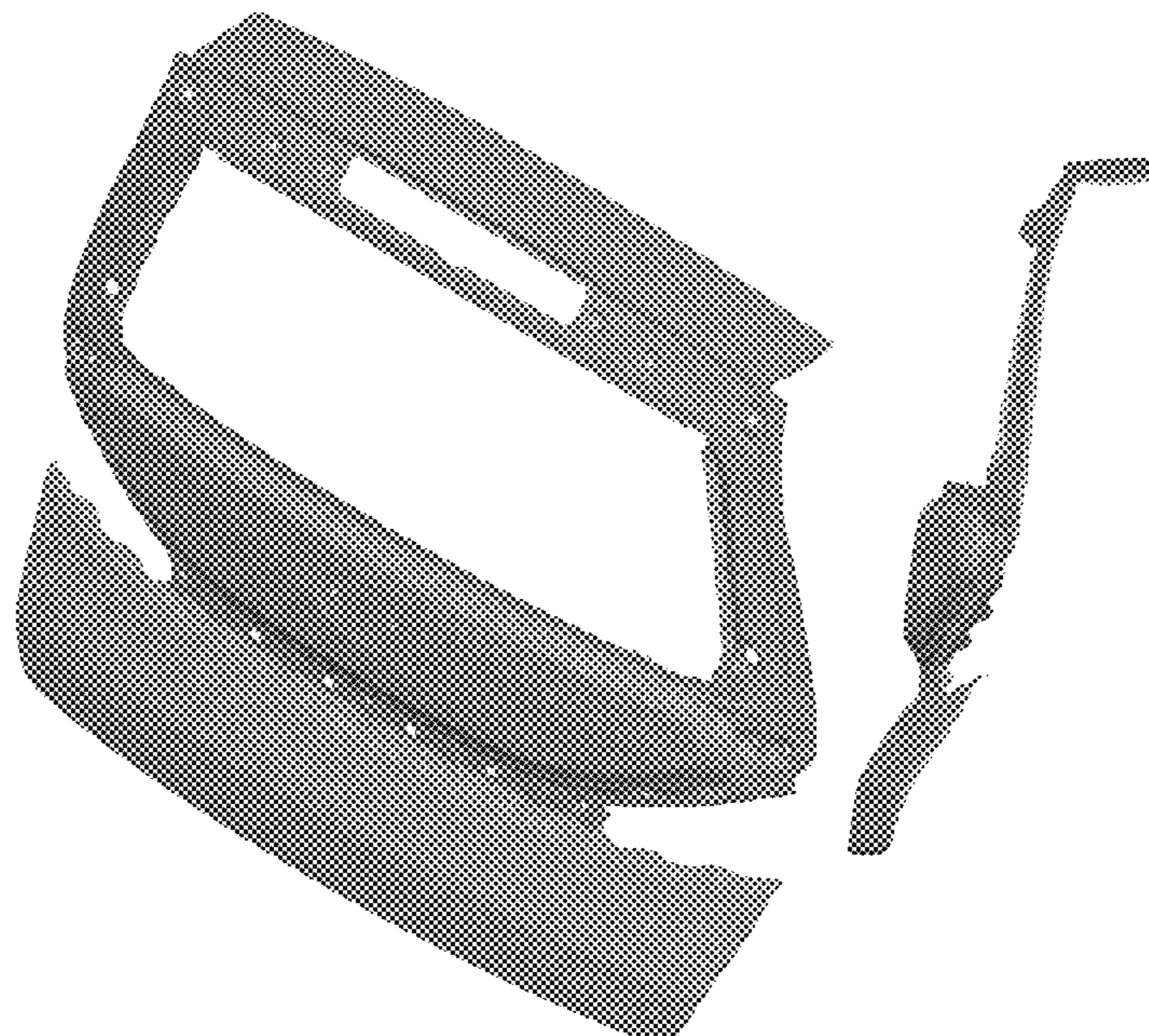
(58) **Field of Classification Search**
USPC D12/90, 91, 92, 184, 196; D24/533, 548, D24/549

1. Tailgate panel for an automobile
- 1.1 : Perspective
- 1.2 : Front
- 1.3 : Back
- 1.4 : Left
- 1.5 : Right
- 1.6 : Top
- 1.7 : Bottom

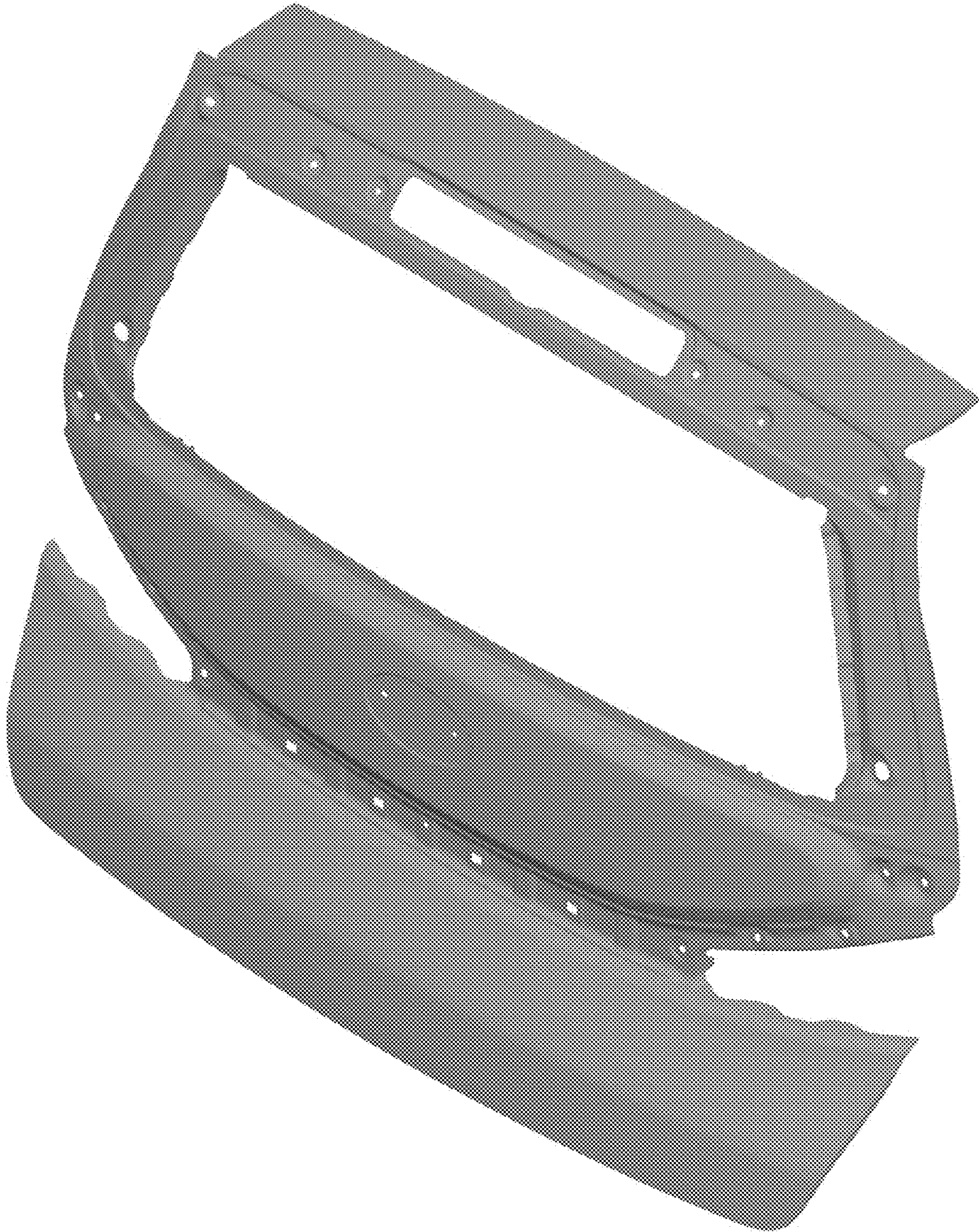
CPC B62D 25/02; B62D 25/18; B62D 25/08; B62D 35/00; B62D 35/005; B60J 5/04; B60R 19/02; B60R 19/04

See application file for complete search history.

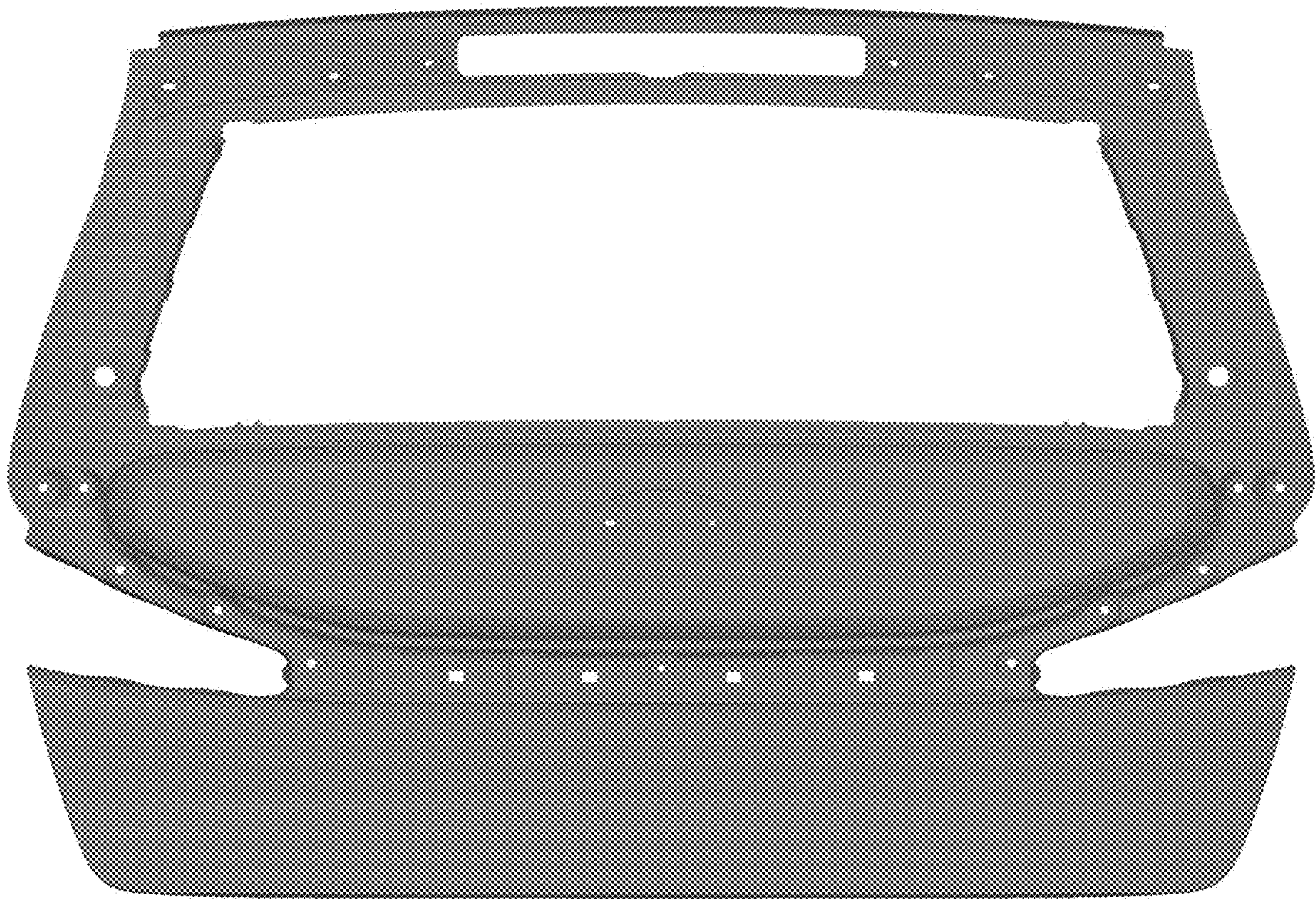
1 Claim, 7 Drawing Sheets



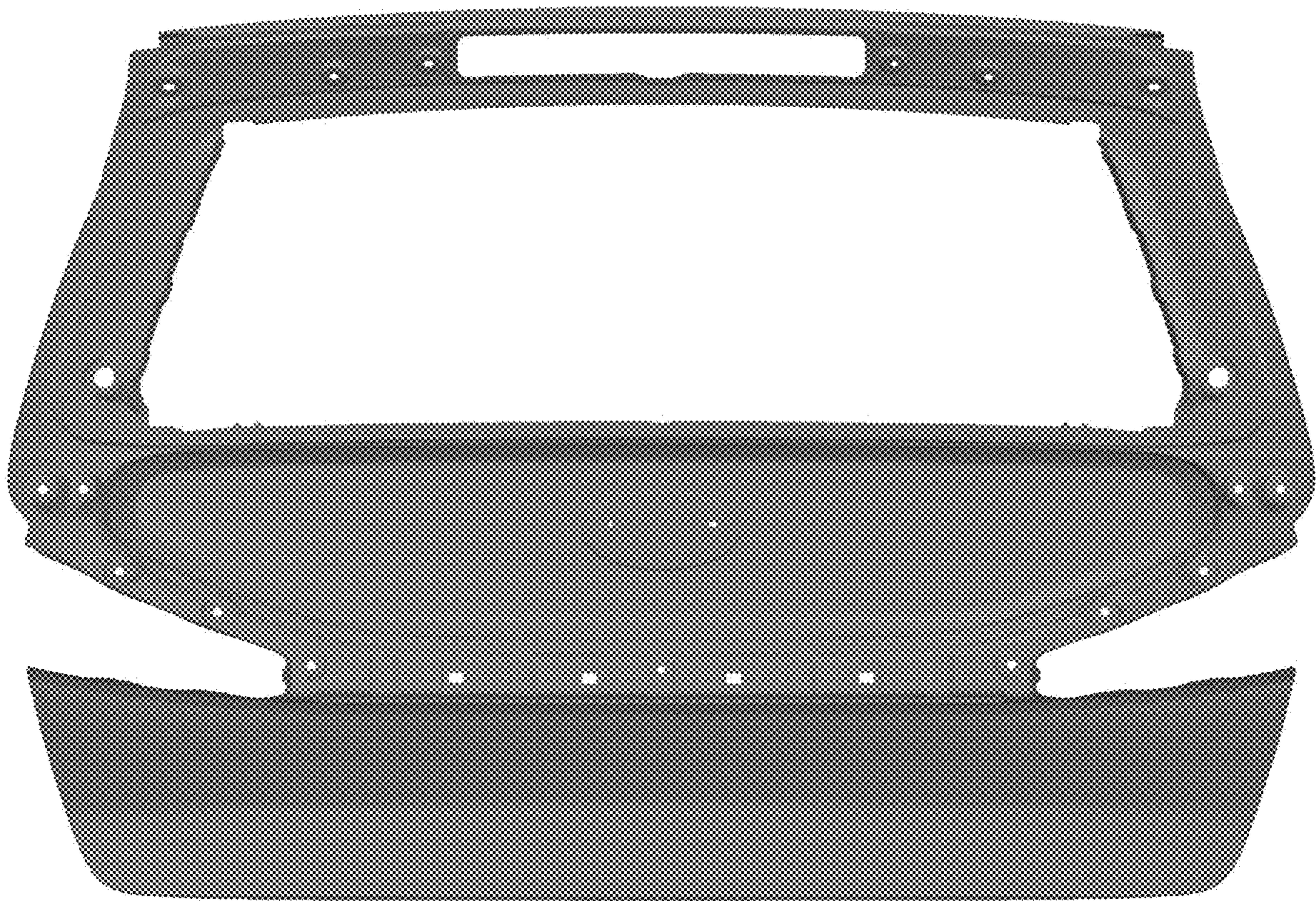
1.1



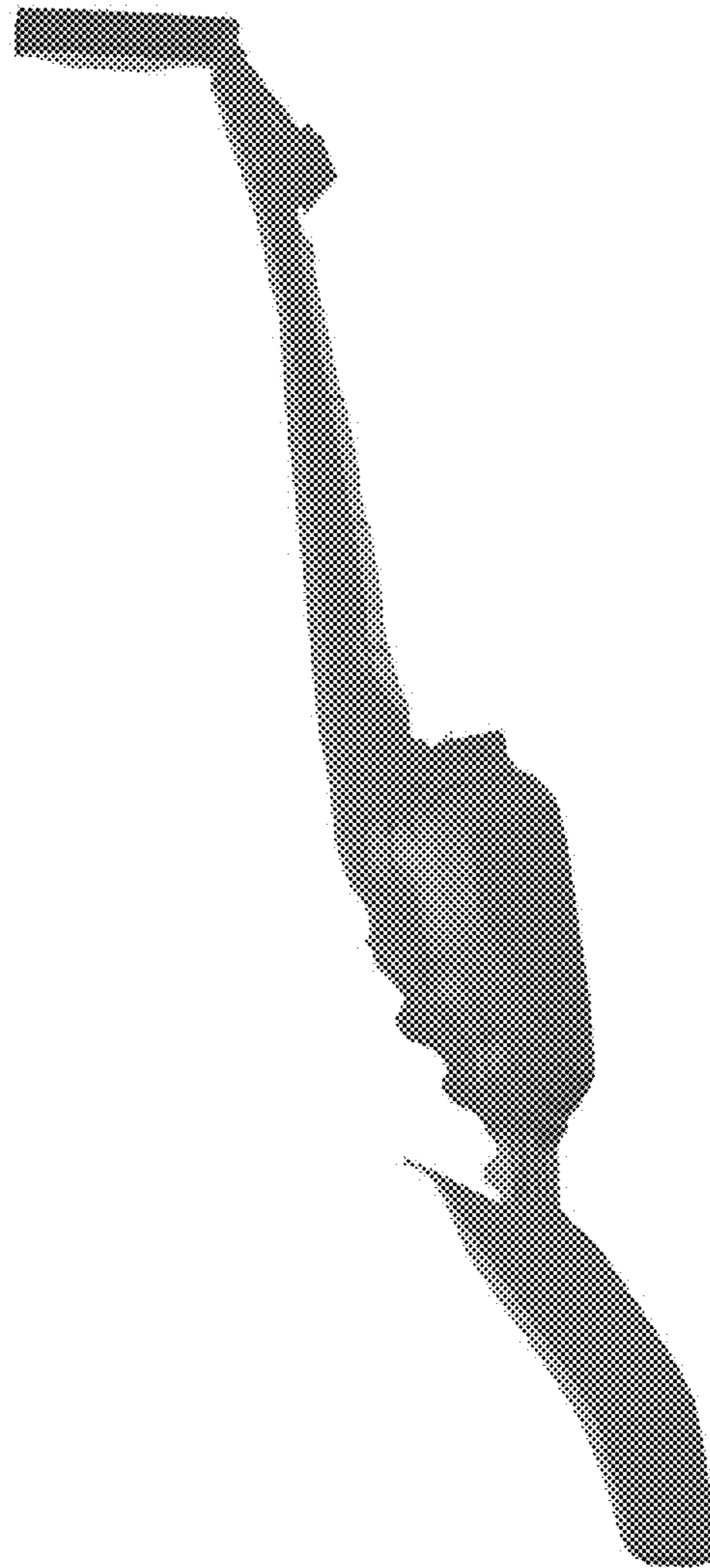
1.2



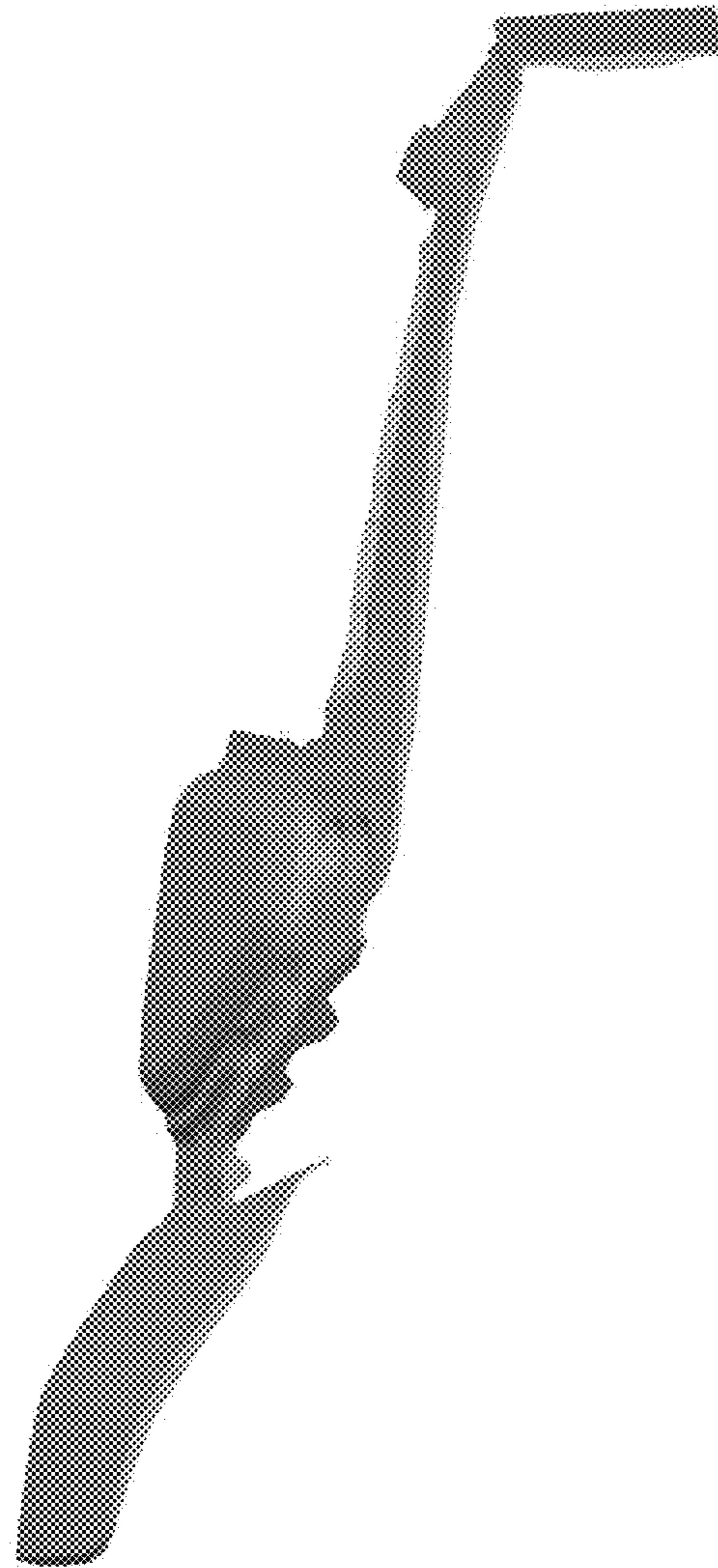
1.3



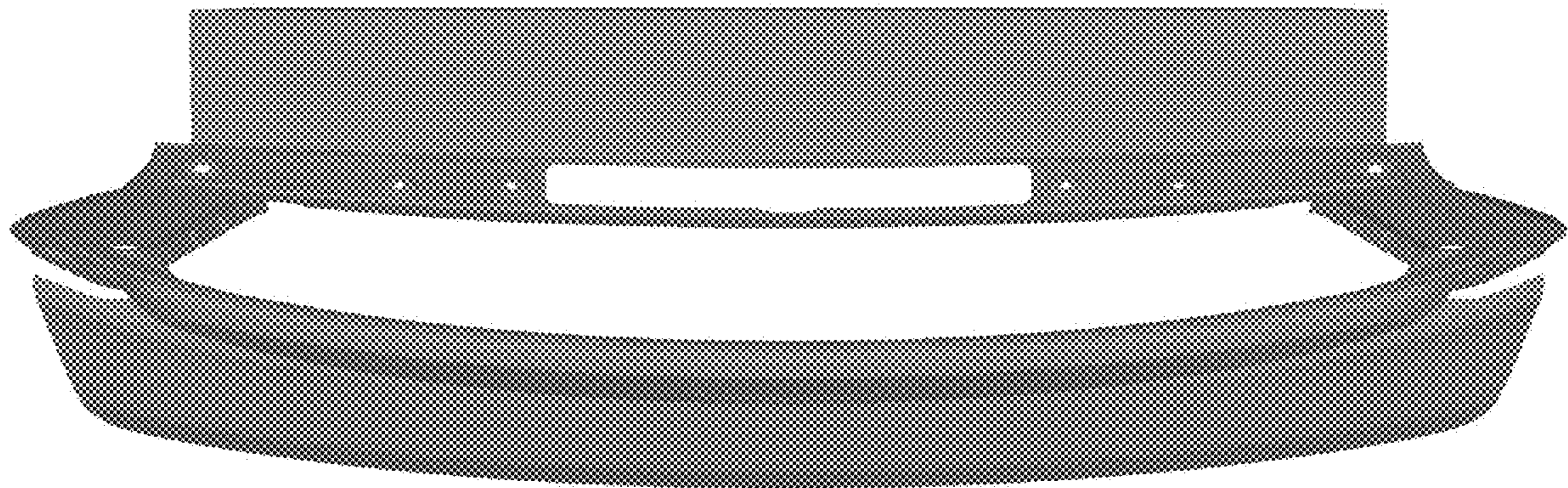
1.4



1.5



1.6



1.7

