



US00D893373S

(12) **United States Design Patent** (10) **Patent No.:** **US D893,373 S**
Selipanov (45) **Date of Patent:** **** Aug. 18, 2020**

(54) **DASHBOARD WITH STEERING WHEEL AND CONTROL CONSOLE FOR VEHICLES**

(71) Applicants: **KIA MOTORS CORPORATION**, Seoul (KR); **HYUNDAI MOTOR COMPANY**, Seoul (KR)

(72) Inventor: **Alexander Selipanov**, Ruesselsheim (DE)

(73) Assignees: **Hyundai Motor Company**, Seoul (KR); **Kia Motors Corporation**, Seoul (KR)

(**) Term: **15 Years**

(21) Appl. No.: **35/506,993**

(22) Filed: **Oct. 31, 2018**

(80) **Hague Agreement Data**

Int. Filing Date: **Oct. 31, 2018**

Int. Reg. No.: **DM/201545**

Int. Reg. Date: **Oct. 31, 2018**

Int. Reg. Pub. Date: **Jun. 28, 2019**

(51) **LOC (12) Cl.** **12-16**

(52) **U.S. Cl.**
USPC **D12/192**

(58) **Field of Classification Search**

USPC D12/110, 114, 192, 415; D10/46, 98, D10/102-103, 122-127; D15/17, 28

CPC B60K 35/00; B60K 37/04; B60K 37/06; B60R 11/0235; B60R 11/0252

See application file for complete search history.

(56) **References Cited**

U.S. PATENT DOCUMENTS

D697,461 S * 1/2014 Norman D12/192
D697,462 S * 1/2014 Yamazaki D12/192

D704,609 S * 5/2014 Nakauchi D12/192
D726,611 S * 4/2015 Higashimori D12/192
D727,817 S * 4/2015 Schroeder D12/192
D730,805 S * 6/2015 Tran D12/192
D756,279 S * 5/2016 Shouno D12/192
D761,709 S * 7/2016 Shimizu D12/192
D770,348 S * 11/2016 Shimizu D12/192
D817,832 S * 5/2018 Maezono D12/192
D828,260 S * 9/2018 Takagi D12/192
D837,117 S * 1/2019 Manzoni D12/192
D844,516 S * 4/2019 Yu D12/192
D847,055 S * 4/2019 De Vienne D12/192
D853,919 S * 7/2019 Hazumi D12/192
2016/0129871 A1 * 5/2016 Knauf B60K 35/00
280/730.1
2018/0032138 A1 * 2/2018 Yasuoka B60K 35/00
2018/0079284 A1 * 3/2018 Choi B60J 1/17

* cited by examiner

Primary Examiner — Darlington Ly

(74) *Attorney, Agent, or Firm* — Mintz Levin Cohn Ferris Glovsky and Popeo, P.C.; Peter F. Corless; Carolina E. Säve

(57) **CLAIM**

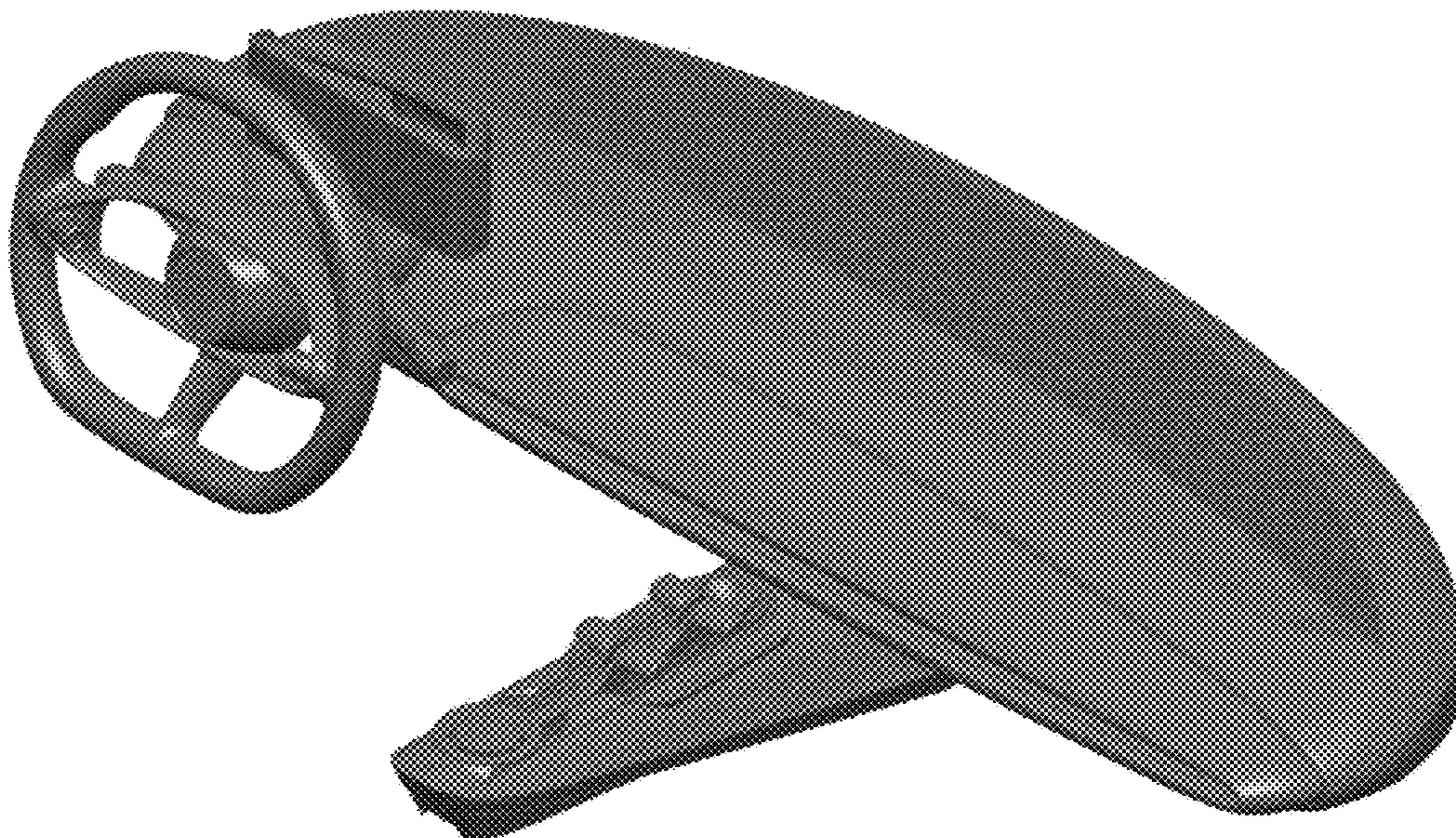
The ornamental design for a dashboard with steering wheel and control console for vehicles, as shown and described.

DESCRIPTION

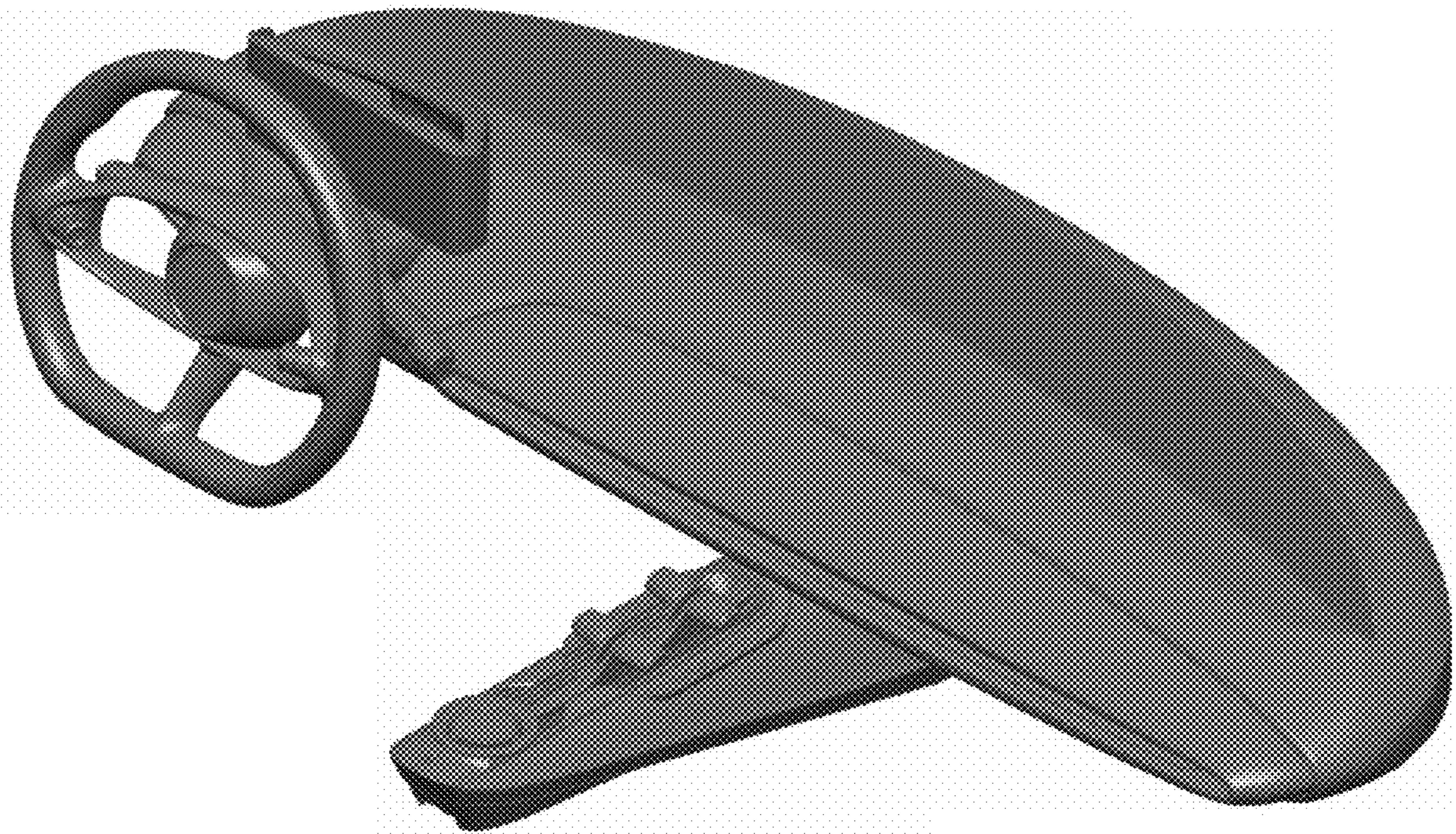
1. Dashboard with steering wheel and control console for vehicles

1.1 is a perspective view of a dashboard with steering wheel and control console for vehicles showing my new design; 1.2 is a front elevation view thereof; 1.3 is a rear elevation view thereof; 1.4 is a left-side elevation view thereof; 1.5 is a right-side elevation view thereof; 1.6 is a top plan view thereof; and 1.7 is a bottom plan view thereof.

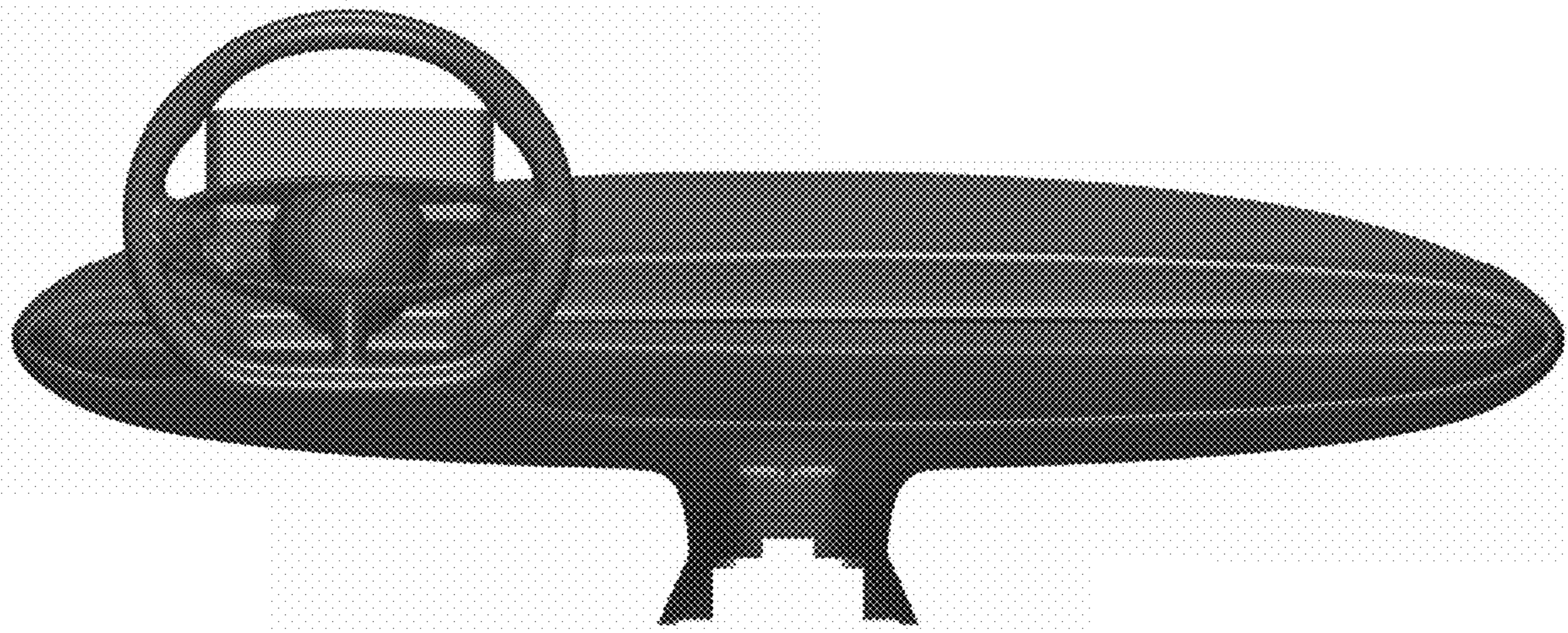
1 Claim, 7 Drawing Sheets



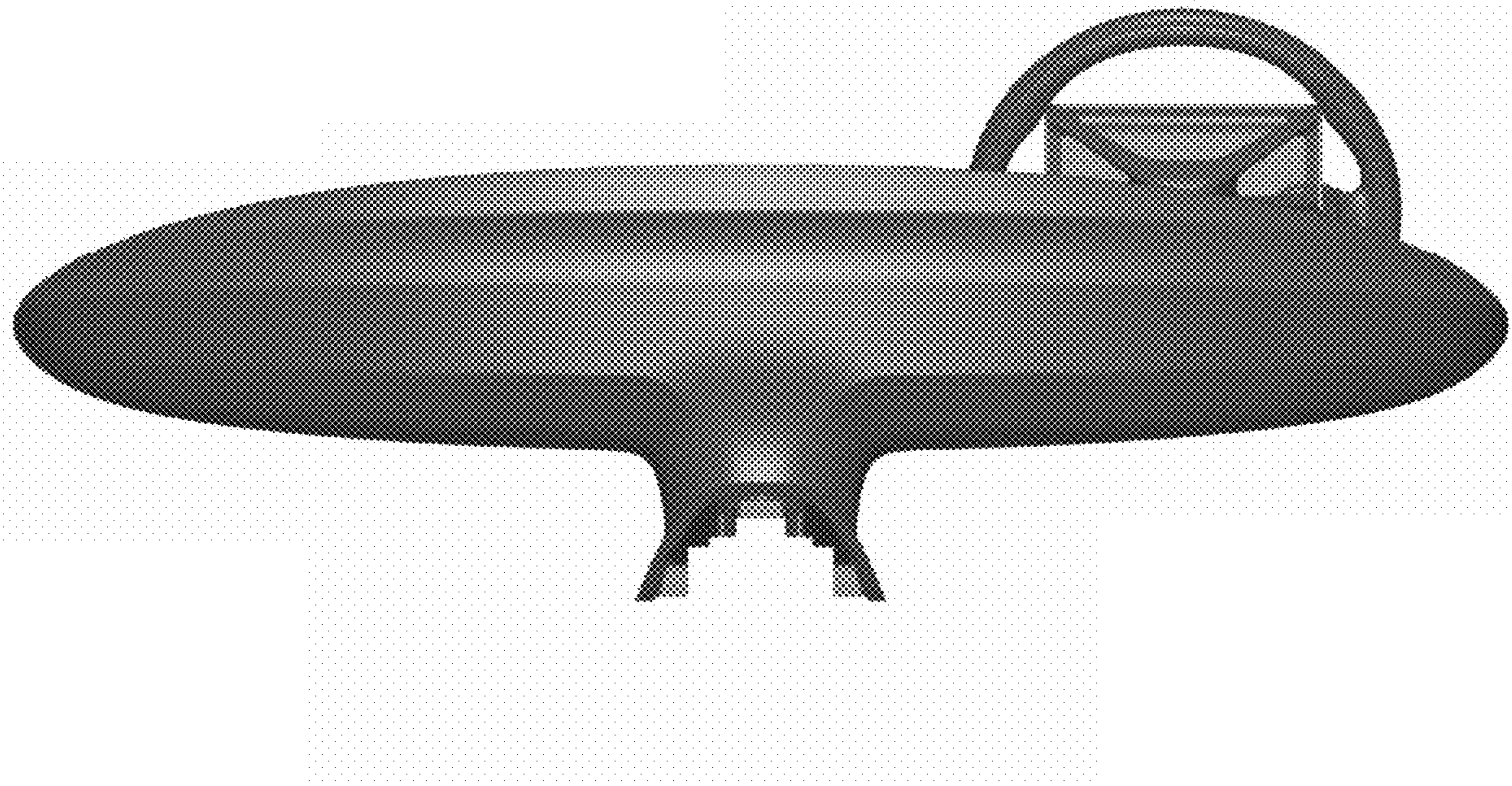
1.1



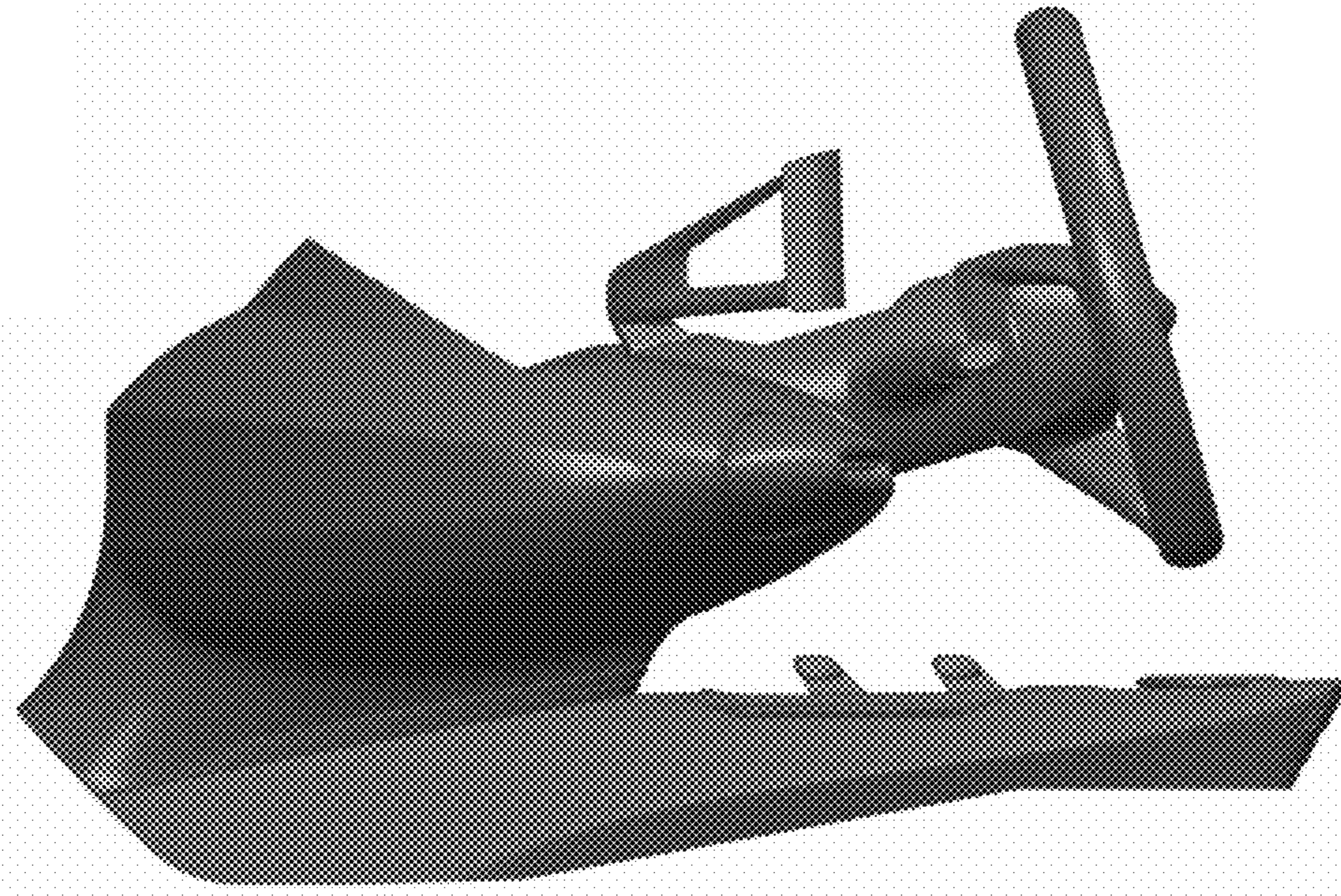
1.2



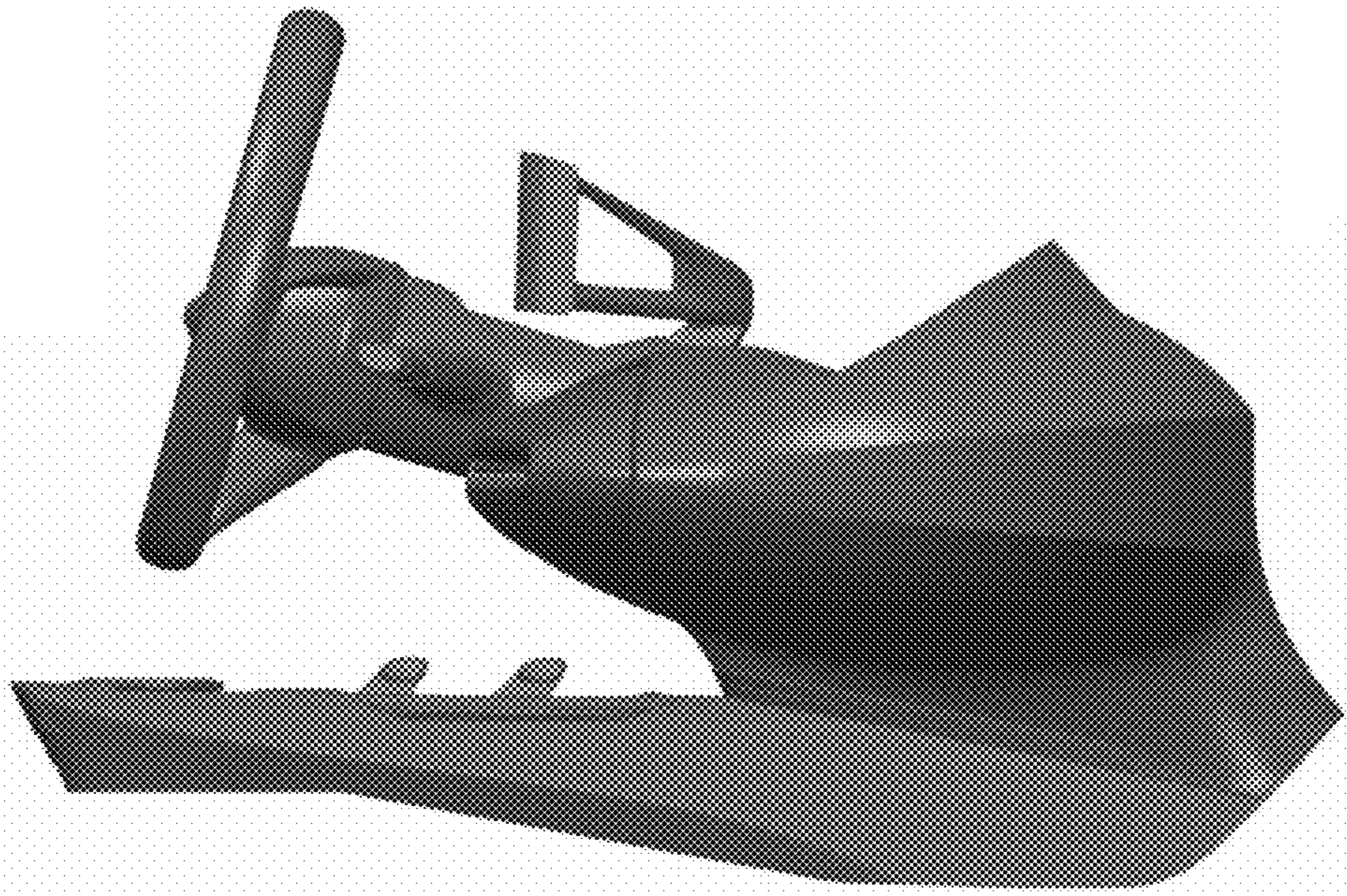
1.3



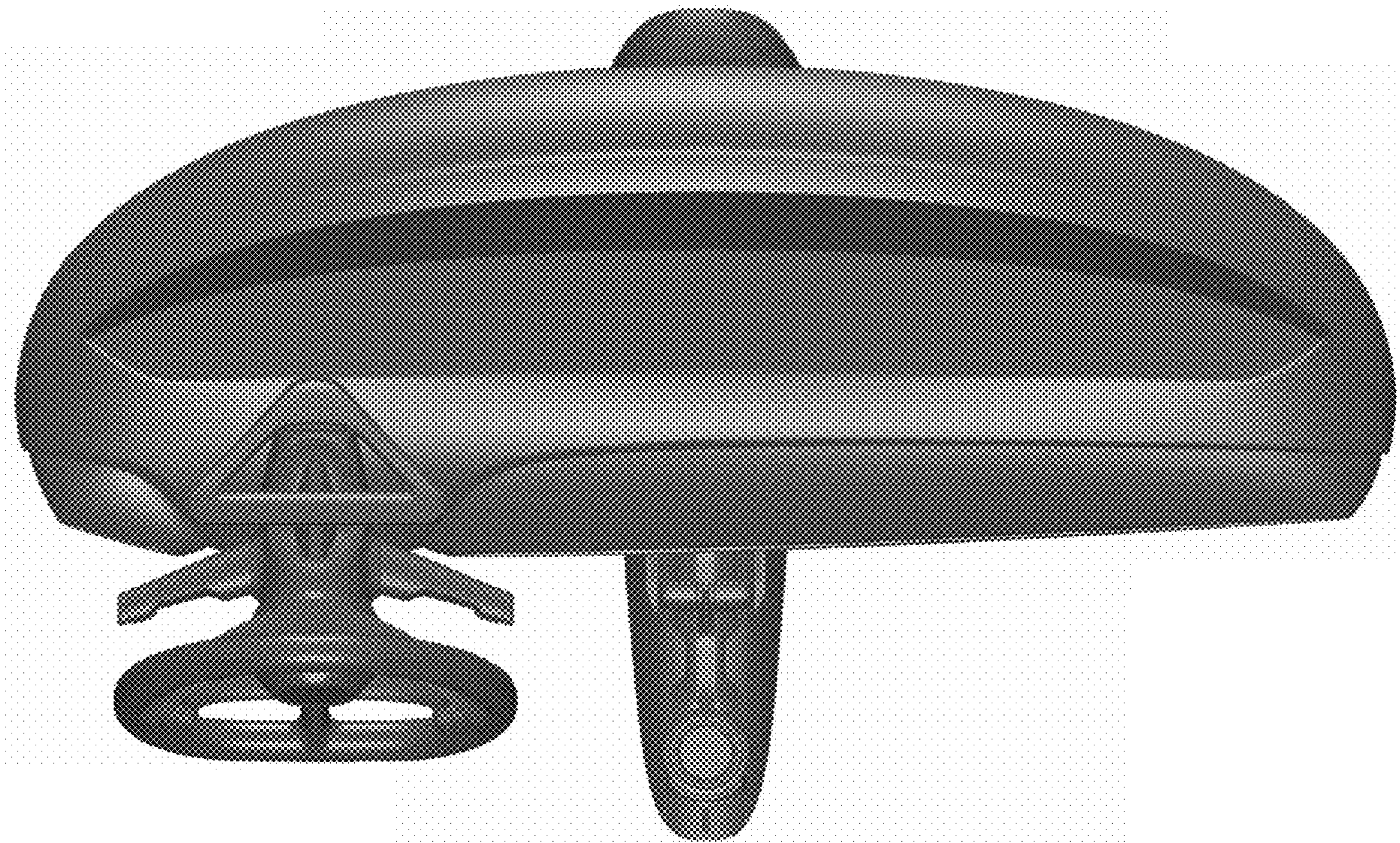
1.4



1.5



1.6



1.7

