



US00D893372S

(12) **United States Design Patent** (10) **Patent No.:** **US D893,372 S**
Smock (45) **Date of Patent:** **** Aug. 18, 2020**

(54) **MIRROR**

(71) Applicant: **HONDA MOTOR CO., LTD.**, Tokyo (JP)

(72) Inventor: **Randall Smock**, Redondo Beach, CA (US)

(73) Assignee: **HONDA MOTOR CO., LTD.**, Tokyo (JP)

(**) Term: **15 Years**

(21) Appl. No.: **29/632,648**

(22) Filed: **Jan. 9, 2018**

(51) **LOC (12) Cl.** **12-16**

(52) **U.S. Cl.**
USPC **D12/187**

(58) **Field of Classification Search**
USPC D12/87, 188, 189, 191, 195, 179, 192;
D6/300, 309; D8/87
CPC B60R 1/06; B60R 1/074; B60R 1/076; B60R 1/082; B60R 1/081; B60R 1/08; B60R 1/078; B60R 1/007
See application file for complete search history.

(56) **References Cited**

U.S. PATENT DOCUMENTS

D506,424 S *	6/2005	Kuo	D12/187
D543,918 S *	6/2007	Pfeiffer	D12/187
D633,422 S *	3/2011	Futschik	D12/187
D702,167 S *	4/2014	Hakamata	D12/187
D718,689 S *	12/2014	Blanski	D12/187
D793,311 S *	8/2017	Whitla	D12/187

D800,039 S *	10/2017	Bucher	D12/187
D804,378 S *	12/2017	Perkins	D12/187
D840,885 S *	2/2019	Park Cheng	D12/187
2017/0001568 A1 *	1/2017	Sawada	B60R 1/076
2017/0253184 A1 *	9/2017	Nishimoto	B60R 1/06
2018/0178727 A1 *	6/2018	Phan	B60R 1/06

* cited by examiner

Primary Examiner — Susan E Krakower

Assistant Examiner — Jerry Shiuan-Hua Hsu

(74) *Attorney, Agent, or Firm* — Arent Fox LLP

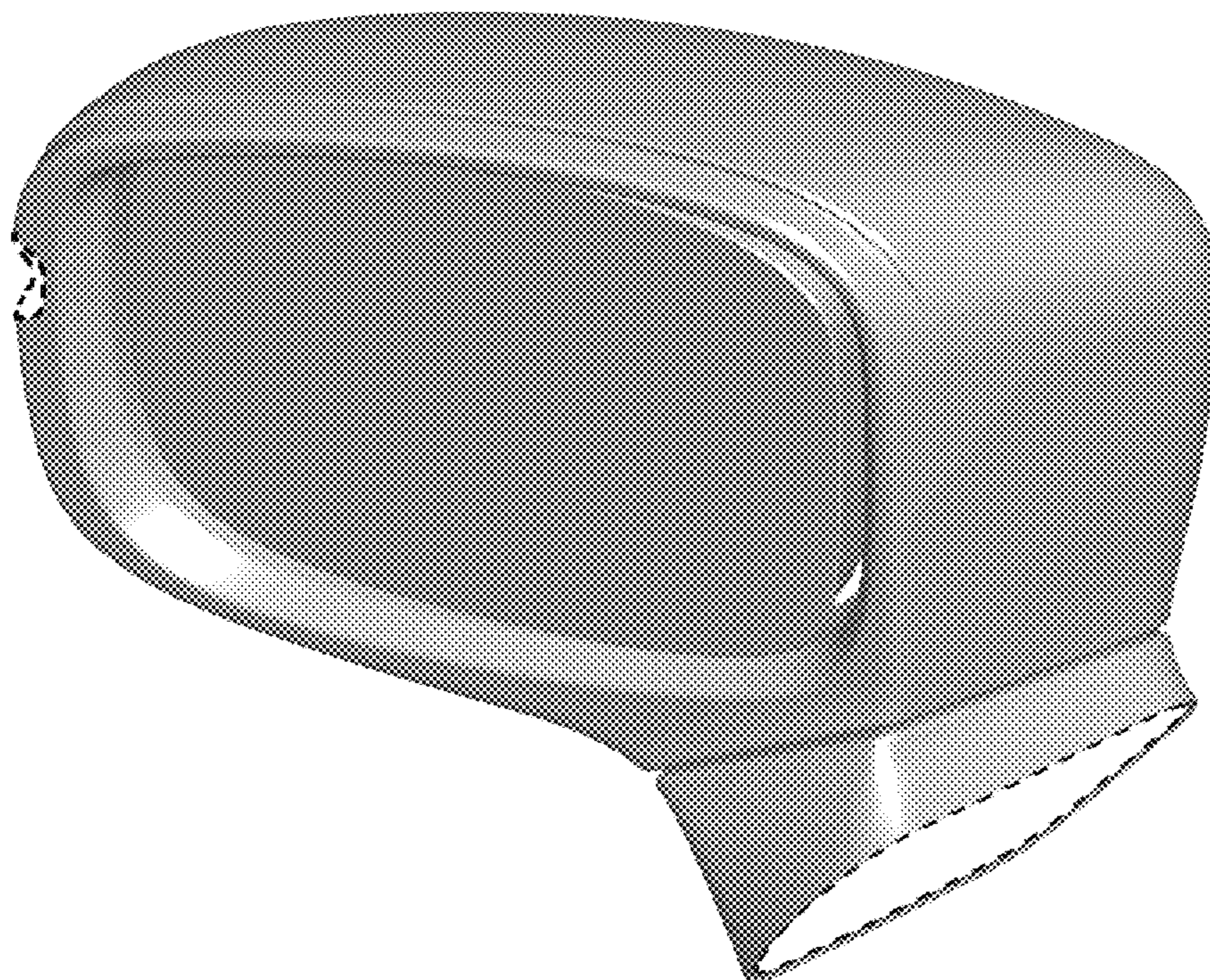
(57) **CLAIM**

The ornamental design for a mirror, as shown and described.

DESCRIPTION

FIG. 1 is a front right perspective view of a mirror showing my new design;
FIG. 2 is a top front left perspective view of the design shown in FIG. 1;
FIG. 3 is a top rear left perspective view of the design shown in FIG. 1;
FIG. 4 is a top rear right perspective view of the design shown in FIG. 1;
FIG. 5 is a front view of the design shown in FIG. 1;
FIG. 6 is a rear view of the design shown in FIG. 1;
FIG. 7 is a left side view of the design shown in FIG. 1;
FIG. 8 is a right side view of the design shown in FIG. 1;
FIG. 9 is a top view of the design shown in FIG. 1; and,
FIG. 10 is a bottom view of the design shown in FIG. 1.
The broken lines shown in the figures are included for the purpose of illustrating portions of the mirror and form no part of the claimed design.

1 Claim, 10 Drawing Sheets



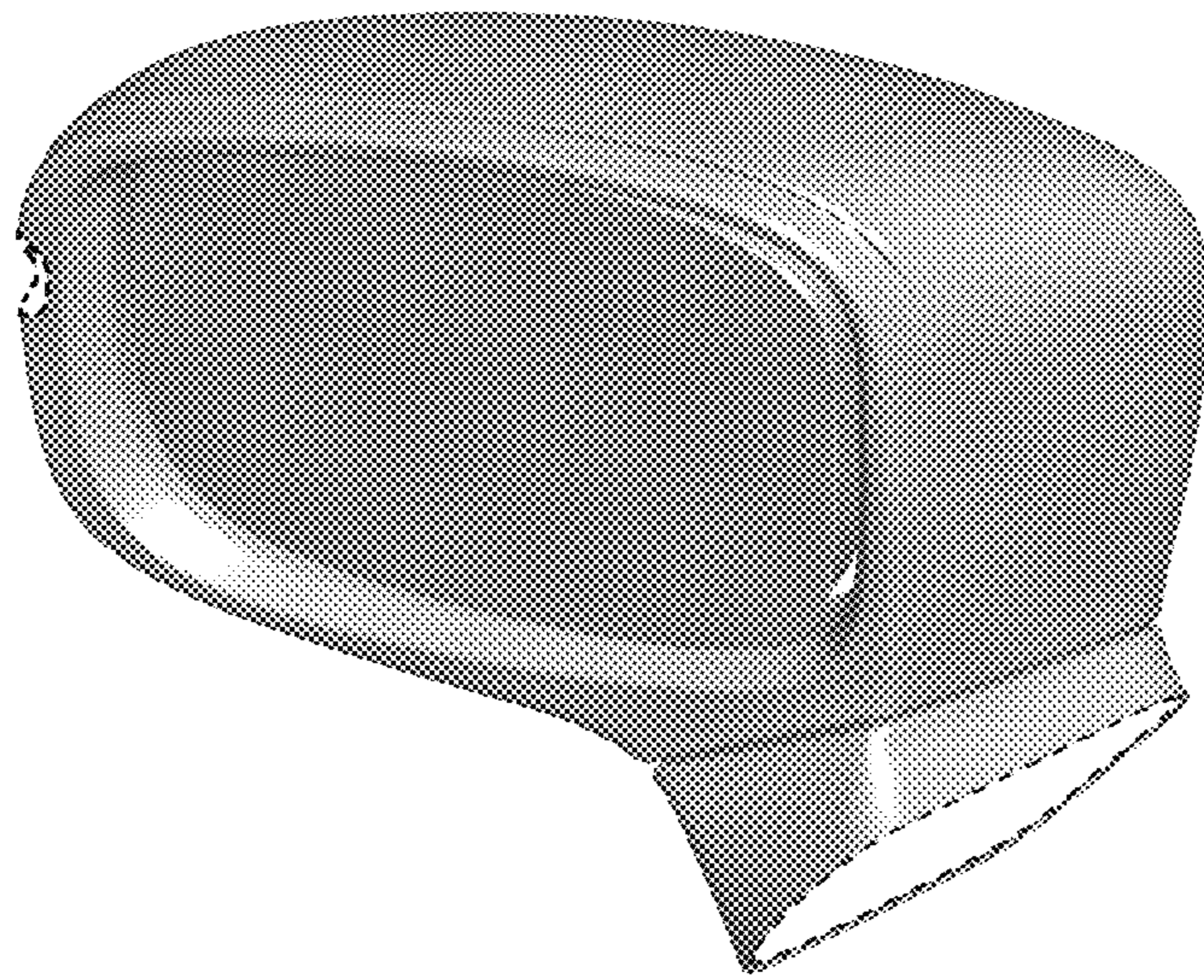


FIG. 1

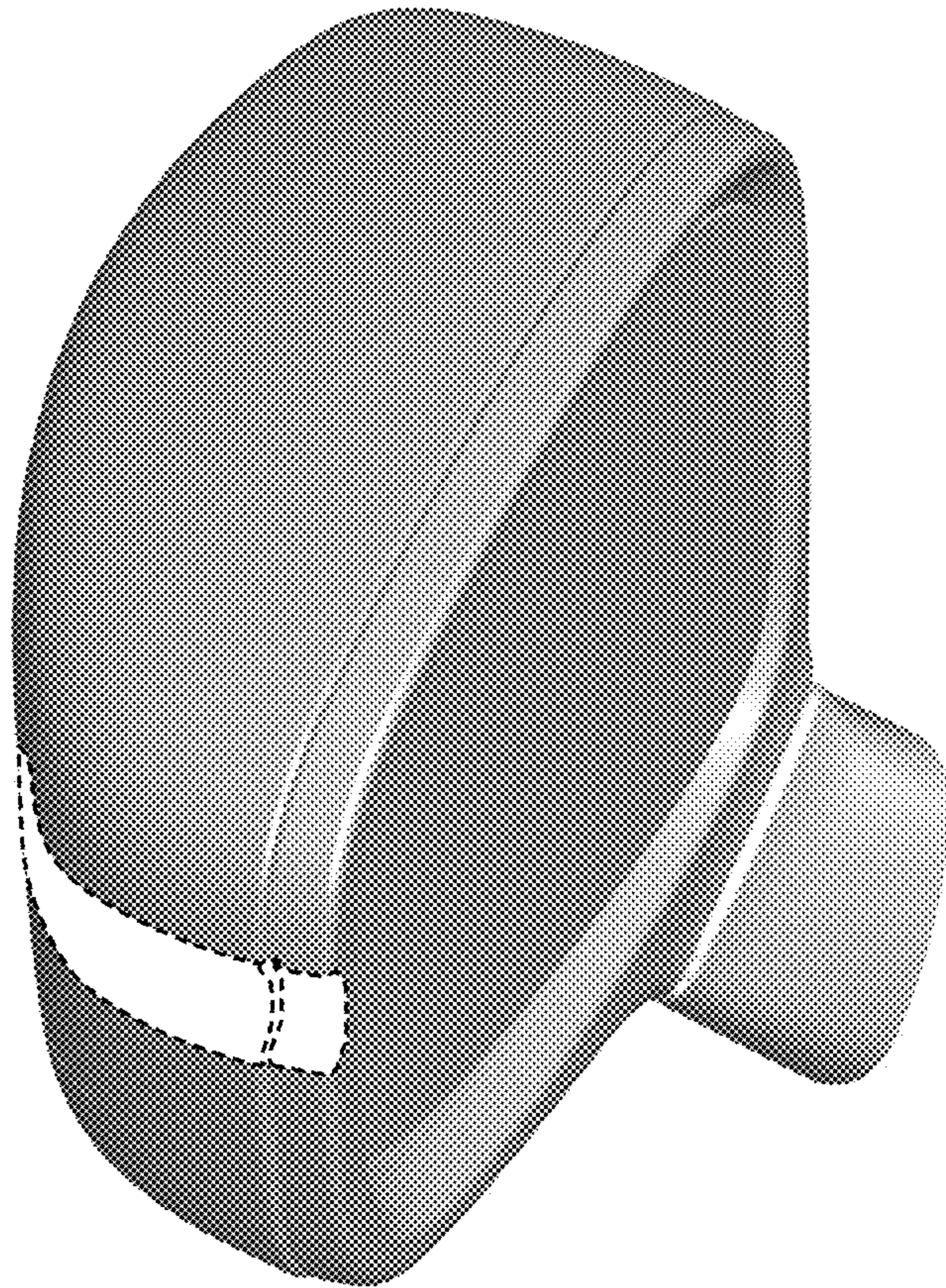


FIG. 2

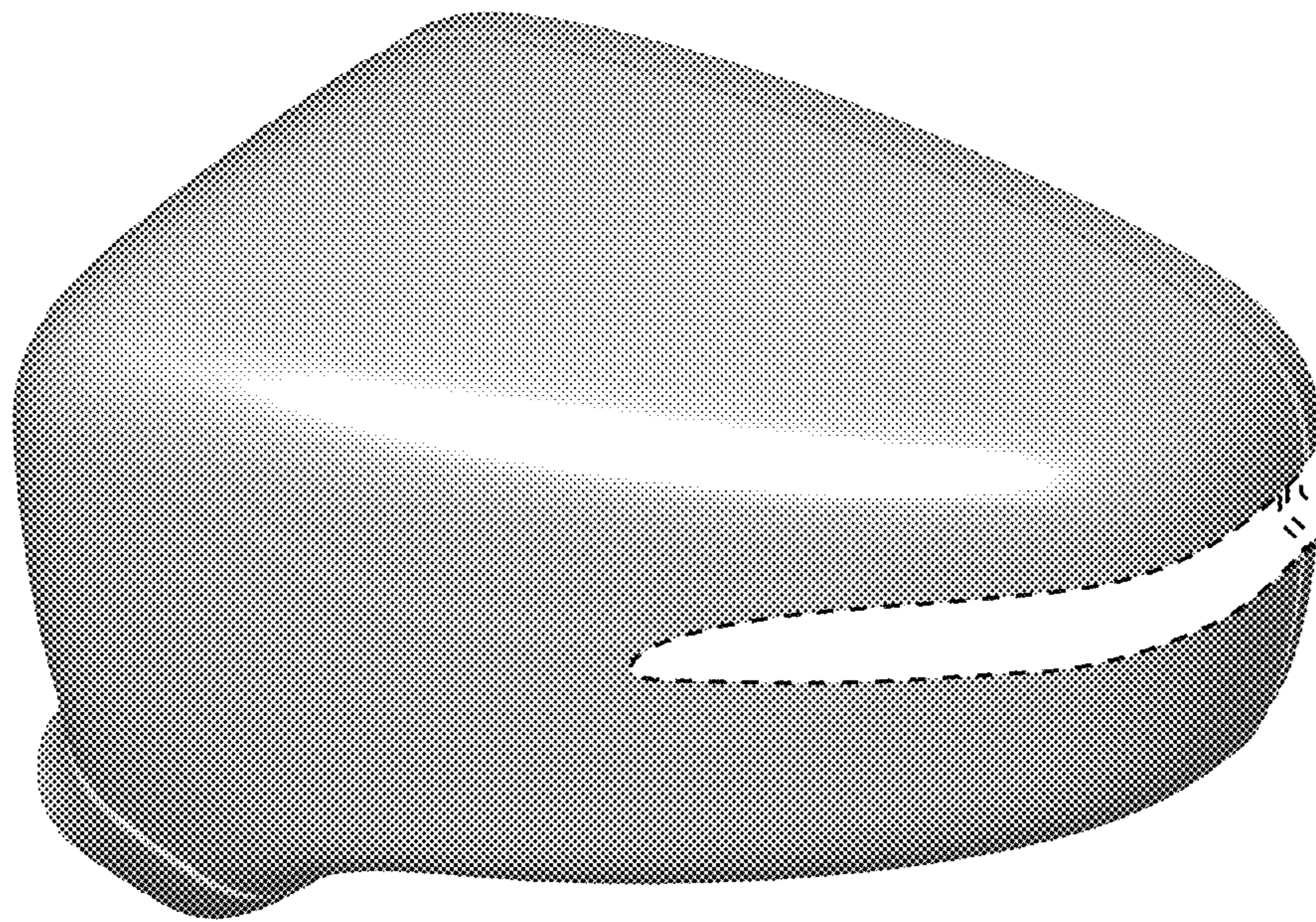


FIG. 3

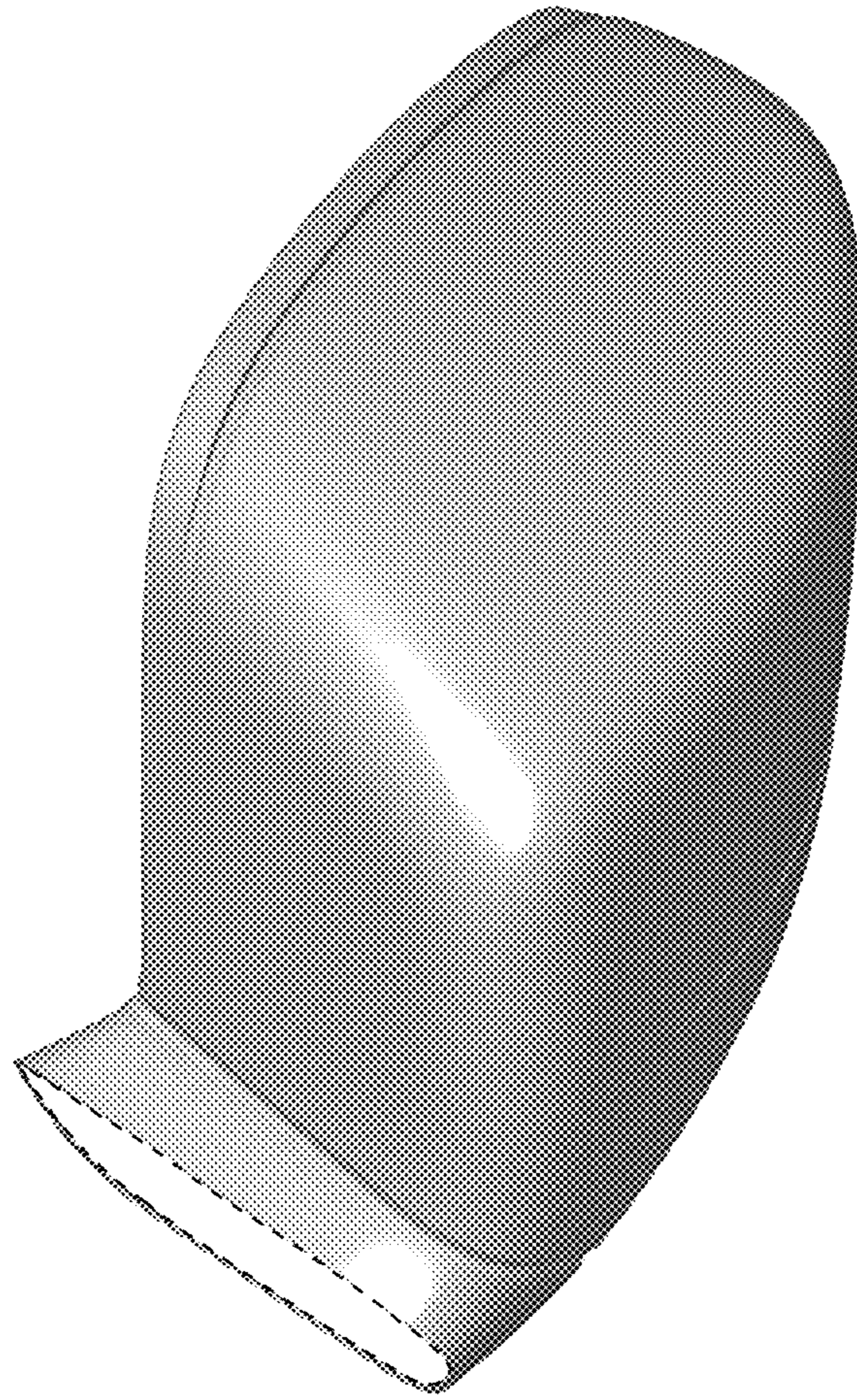


FIG. 4

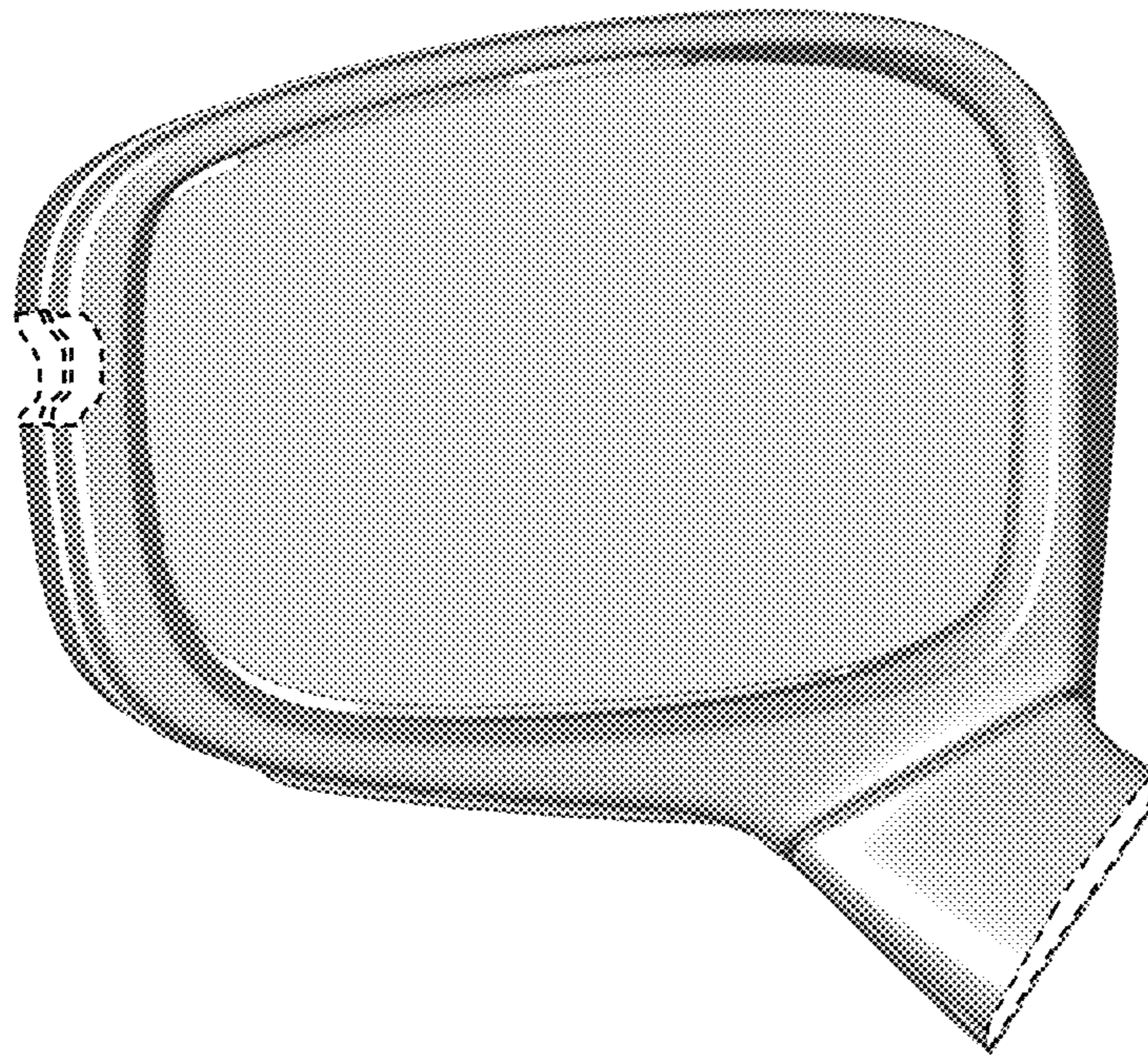


FIG. 5

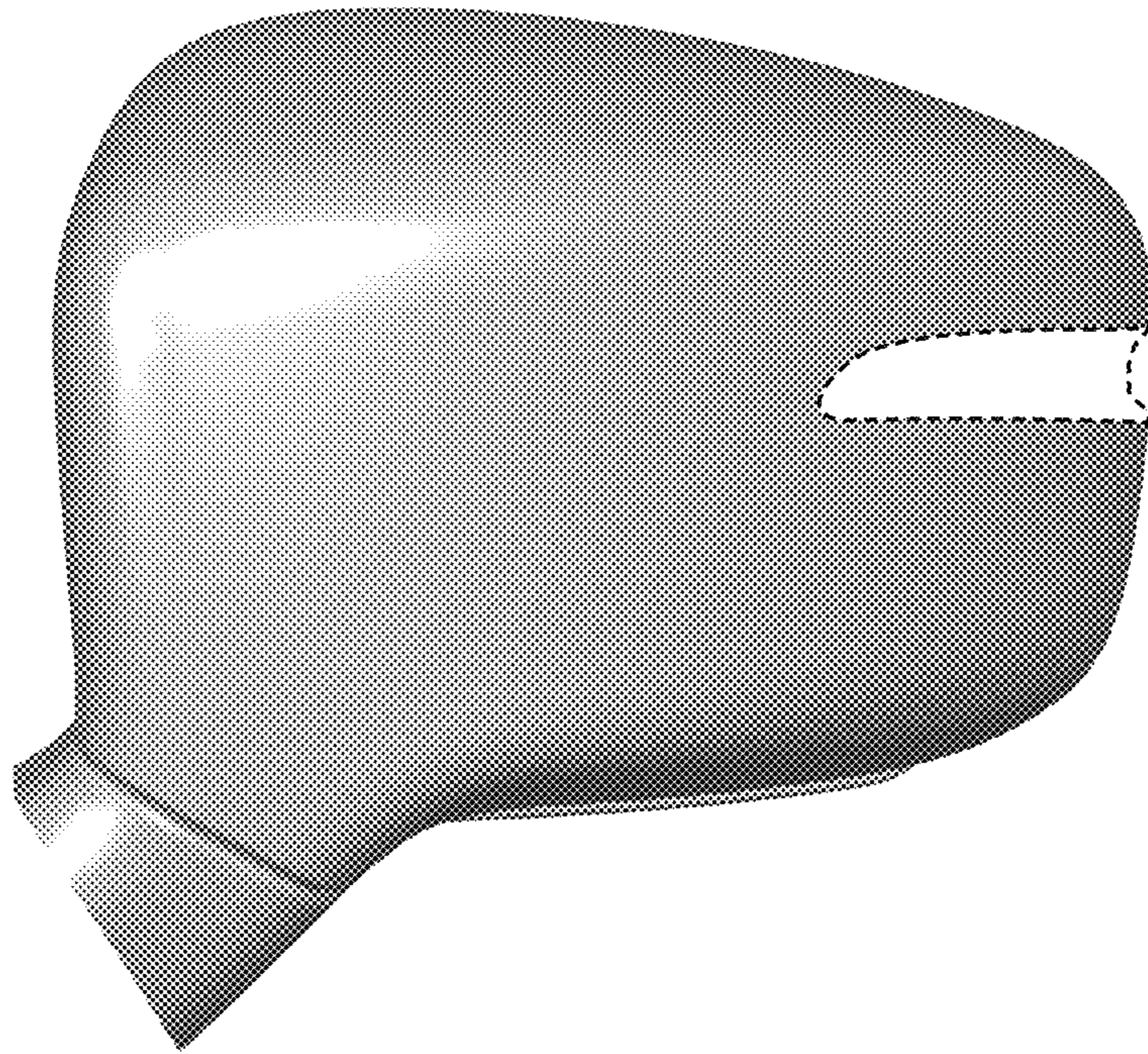


FIG. 6

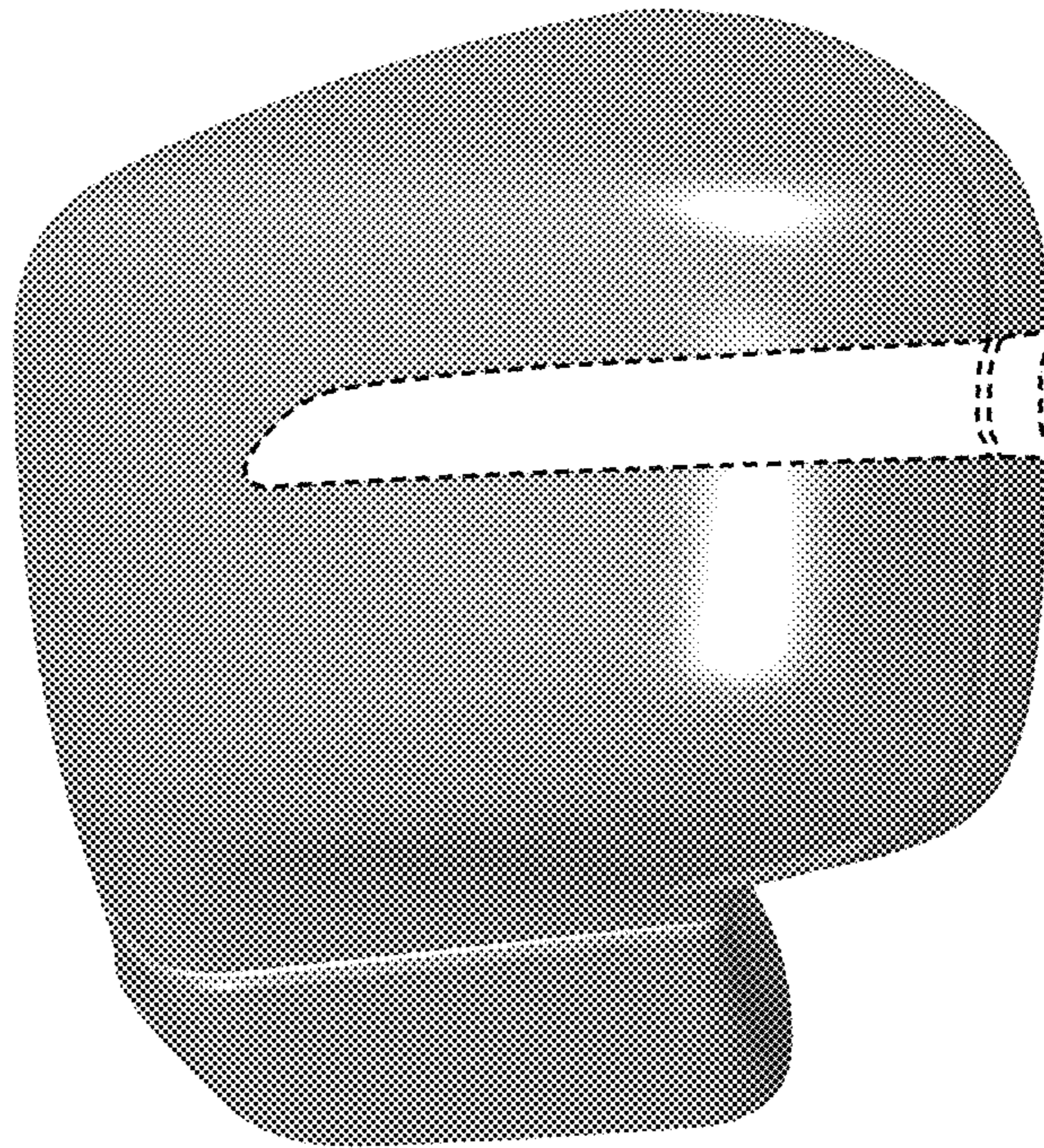


FIG. 7

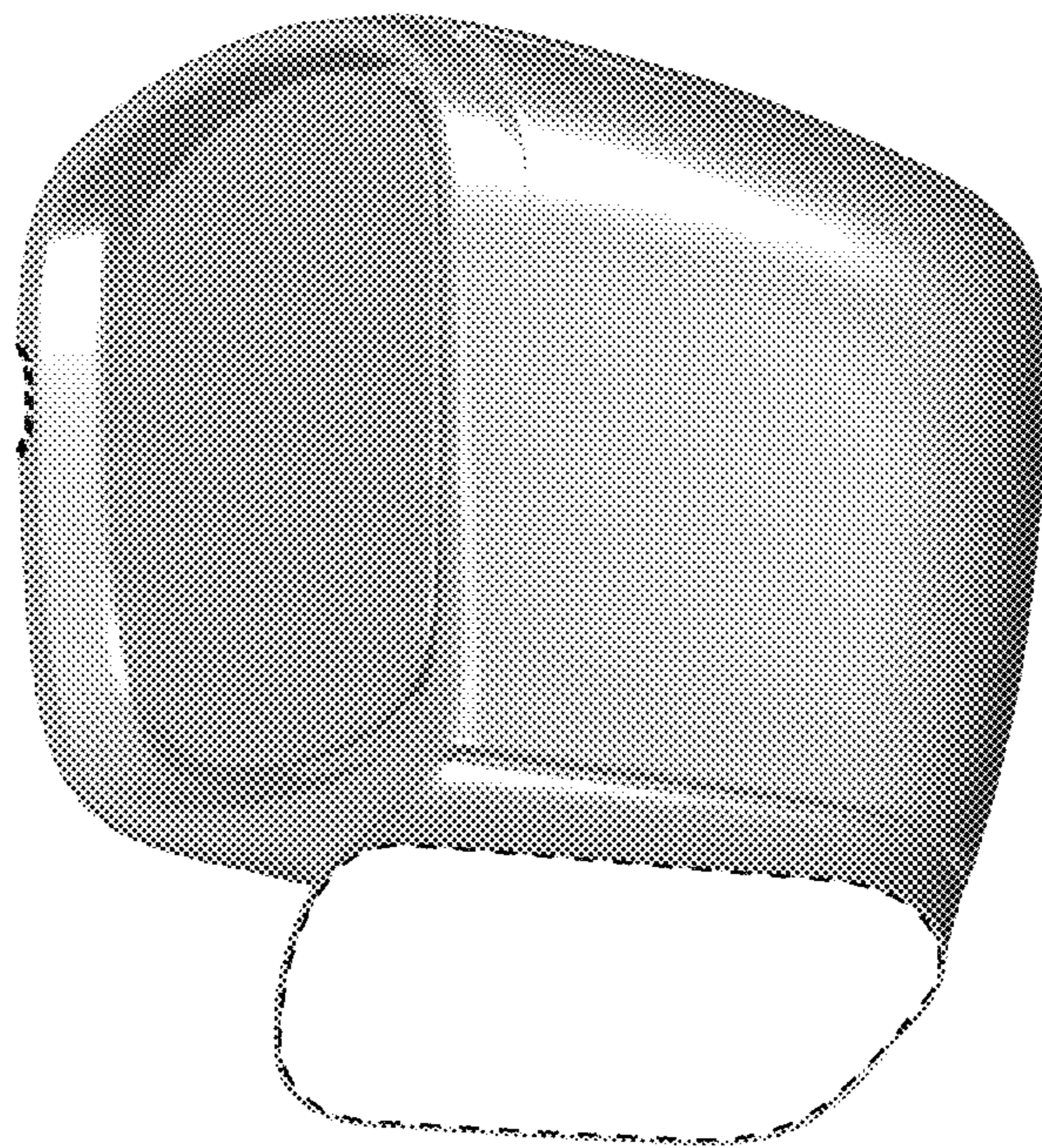


FIG. 8

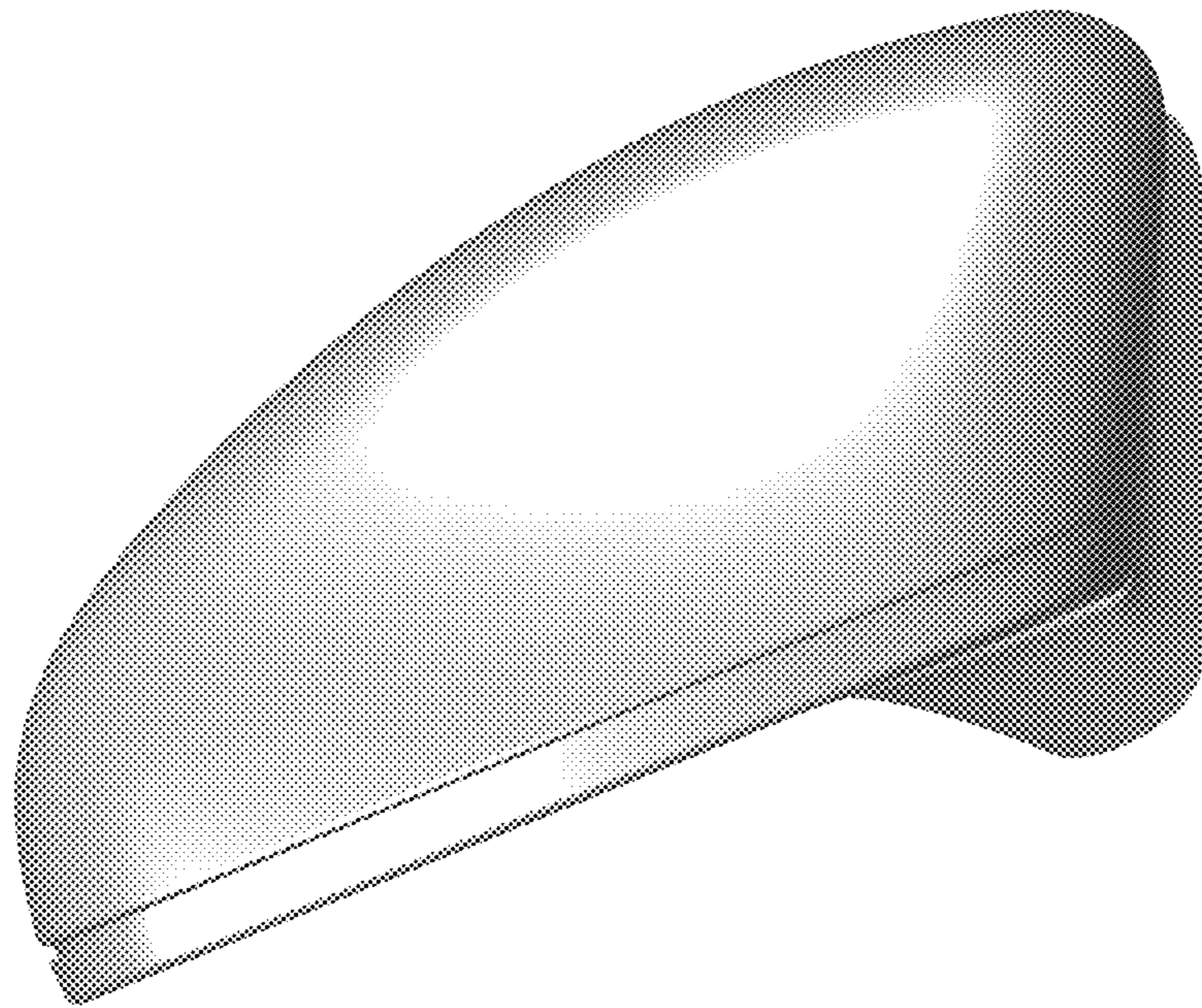


FIG. 9

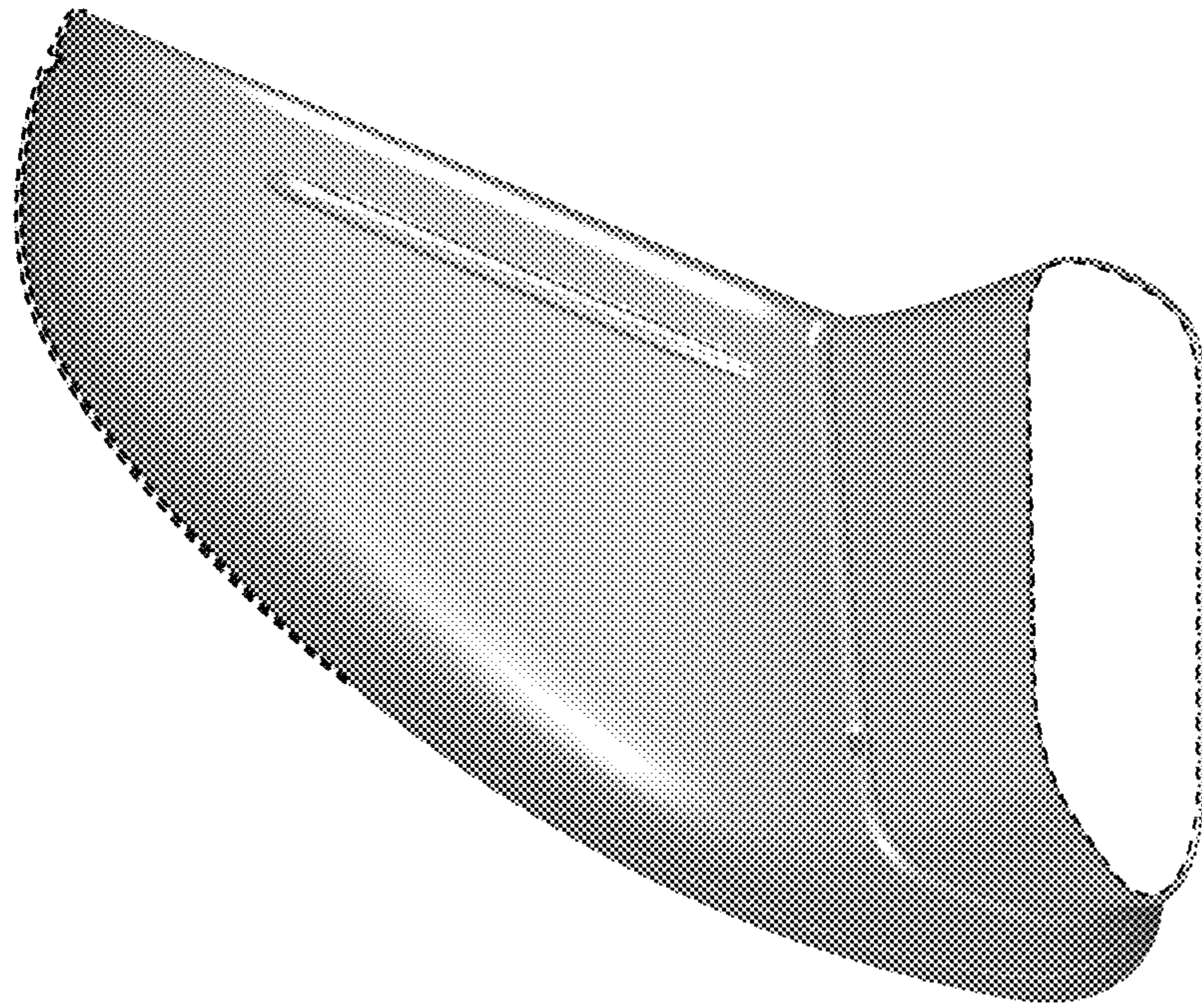


FIG. 10