



US00D893370S

(12) **United States Design Patent** (10) **Patent No.:** **US D893,370 S**  
**Lee** (45) **Date of Patent:** **\*\* Aug. 18, 2020**

(54) **ADJUSTABLE HANDLEBARS**  
(71) Applicant: **Dillon Glenn Lee**, La Habra Heights, CA (US)  
(72) Inventor: **Dillon Glenn Lee**, La Habra Heights, CA (US)  
(\*\*) Term: **15 Years**  
(21) Appl. No.: **29/687,512**  
(22) Filed: **Apr. 12, 2019**  
(51) **LOC (12) Cl.** ..... **12-16**  
(52) **U.S. Cl.**  
USPC ..... **D12/178**  
(58) **Field of Classification Search**  
USPC ..... D12/114, 111, 110, 107, 117, 178;  
D8/303  
CPC ..... B62K 19/16; B62K 21/12; B62K 21/18;  
B62K 21/125; B62K 23/06  
See application file for complete search history.

D664,079 S \* 7/2012 Lujan ..... D12/178  
8,230,758 B1 \* 7/2012 Eddy ..... B62K 21/16  
74/551.1  
D687,753 S \* 8/2013 Carlini ..... D12/178  
D689,418 S \* 9/2013 Menefee ..... D12/178  
D726,607 S \* 4/2015 Rickard ..... D12/178  
D727,711 S \* 4/2015 Deily ..... D8/303  
D727,808 S \* 4/2015 Heinz ..... D12/178  
D749,024 S \* 2/2016 Heinz ..... D12/178  
D785,516 S \* 5/2017 Stockton ..... D12/178  
D807,259 S \* 1/2018 Smith ..... D12/178  
D832,163 S \* 10/2018 Smith ..... D12/178  
2016/0075396 A1 \* 3/2016 Gardiner ..... B62K 11/14  
74/551.2

\* cited by examiner

*Primary Examiner* — Michelle E. Wilson  
*Assistant Examiner* — Clese Moore, Jr.

(57) **CLAIM**

The ornamental design for adjustable handlebars, as shown and described.

**DESCRIPTION**

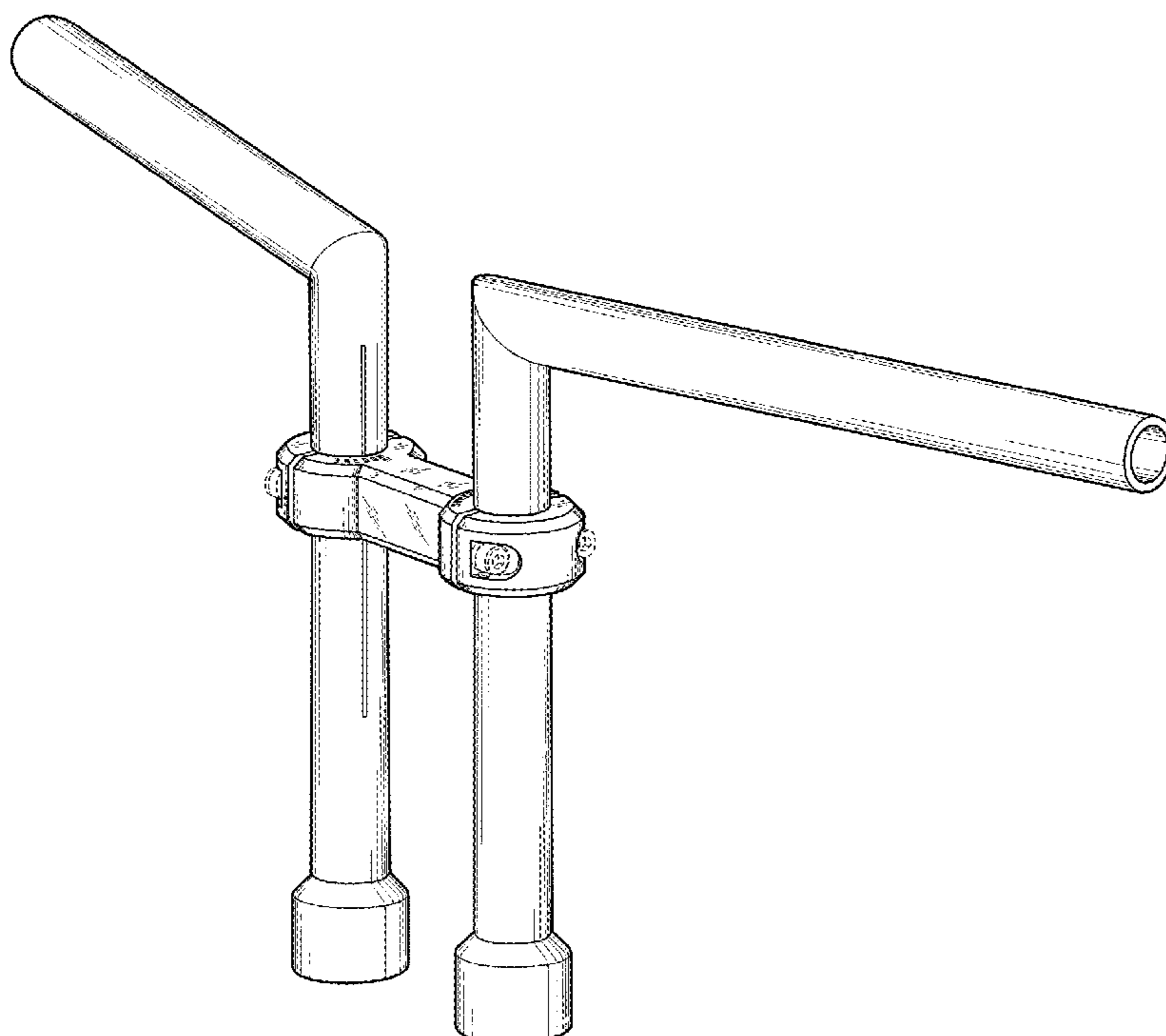
FIG. 1 is front perspective view of adjustable handlebars.  
FIG. 2 is rear perspective view thereof.  
FIG. 3 is a front view thereof.  
FIG. 4 is a rear view thereof.  
FIG. 5 is a left view thereof.  
FIG. 6 is a right view thereof.  
FIG. 7 is a top plan view thereof; and,  
FIG. 8 is a bottom plan view thereof.  
The broken lines showing the securing mechanism are for the purpose of illustrating unclaimed subject matter and form no part of the claimed design.

**1 Claim, 8 Drawing Sheets**

(56) **References Cited**

U.S. PATENT DOCUMENTS

D316,071 S \* 4/1991 McMurtrey ..... D12/178  
D342,475 S \* 12/1993 Haro ..... D12/178  
D393,438 S \* 4/1998 Cartwright ..... D12/178  
D429,197 S \* 8/2000 Sueiro ..... D12/178  
D429,198 S \* 8/2000 Sueiro ..... D12/178  
D456,325 S \* 4/2002 Sargentelli ..... D12/178  
D458,566 S \* 6/2002 Carlini ..... D12/178  
D477,798 S \* 7/2003 Bean ..... D12/178  
D621,755 S \* 8/2010 Carlini ..... D12/178  
D629,343 S \* 12/2010 Carlini ..... D12/178  
D658,098 S \* 4/2012 Plainfield ..... D12/178



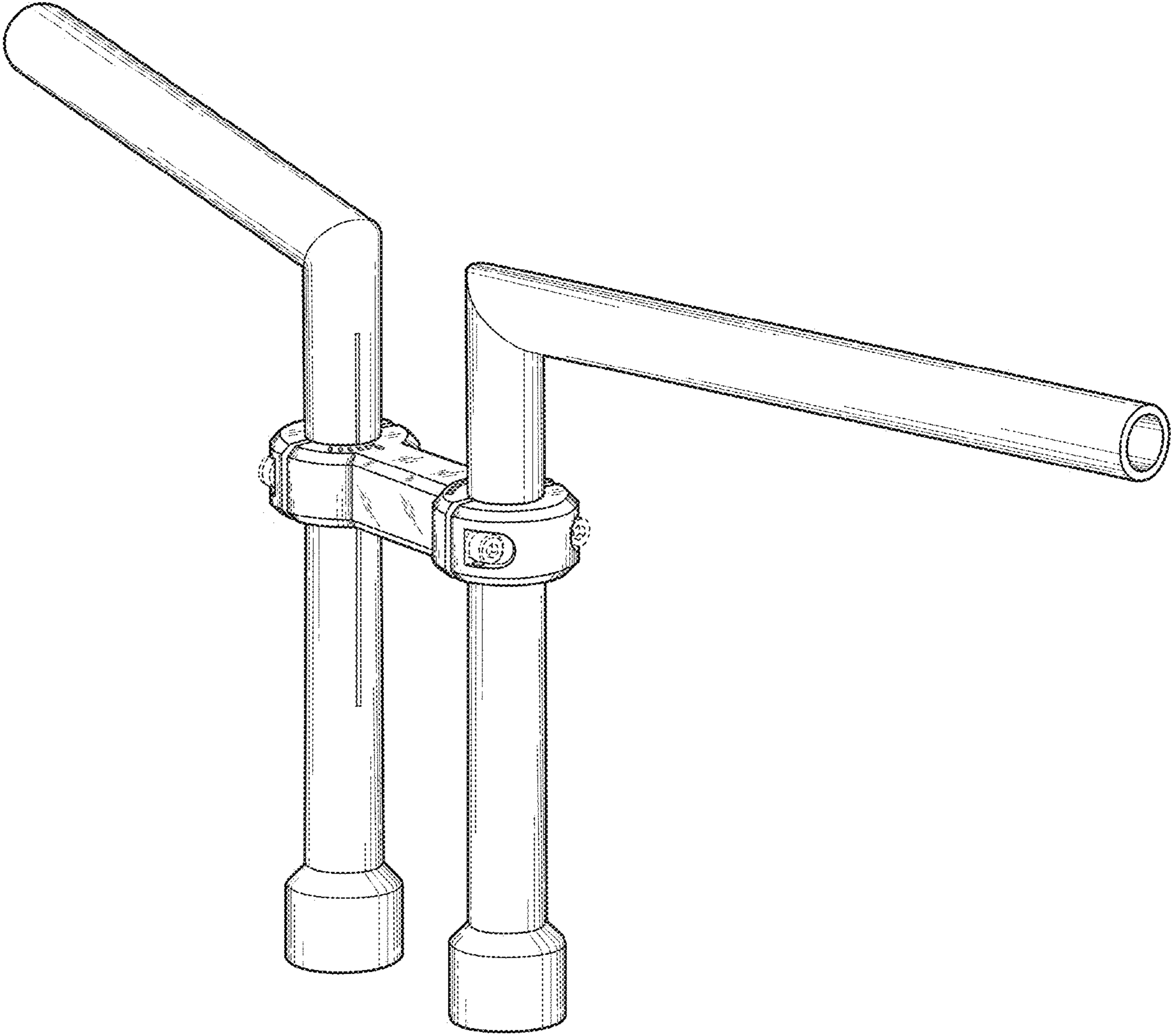


Fig. 1

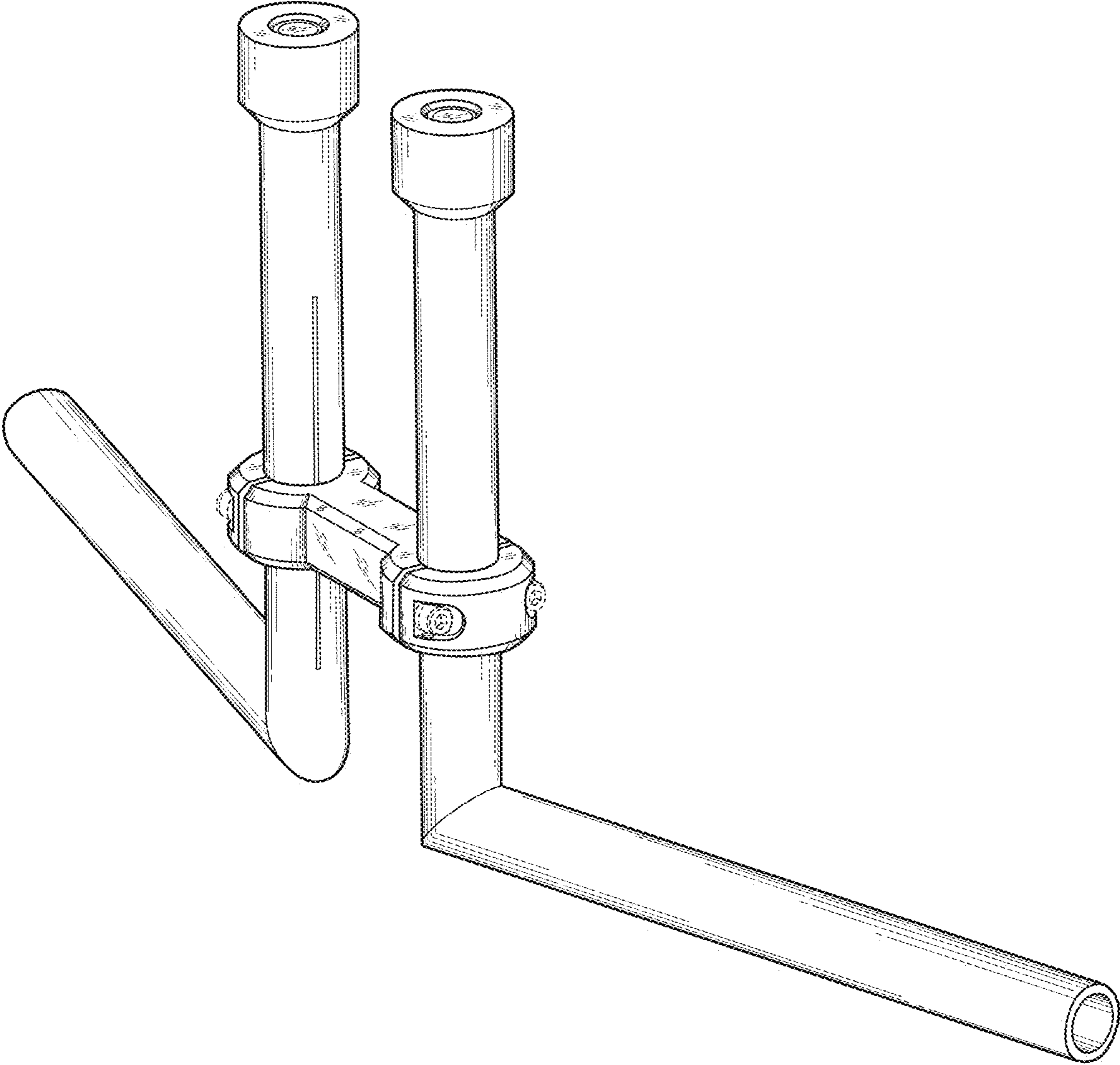


Fig.2

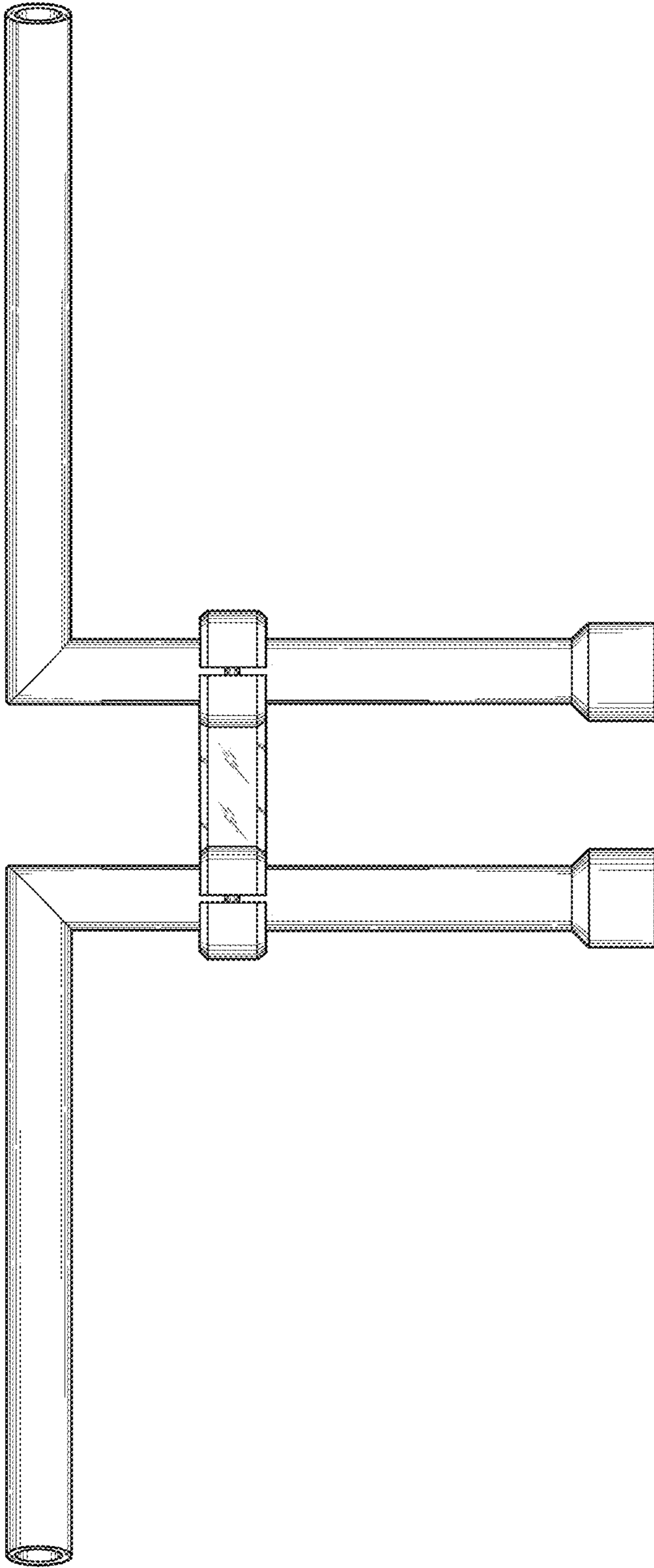


Fig. 3

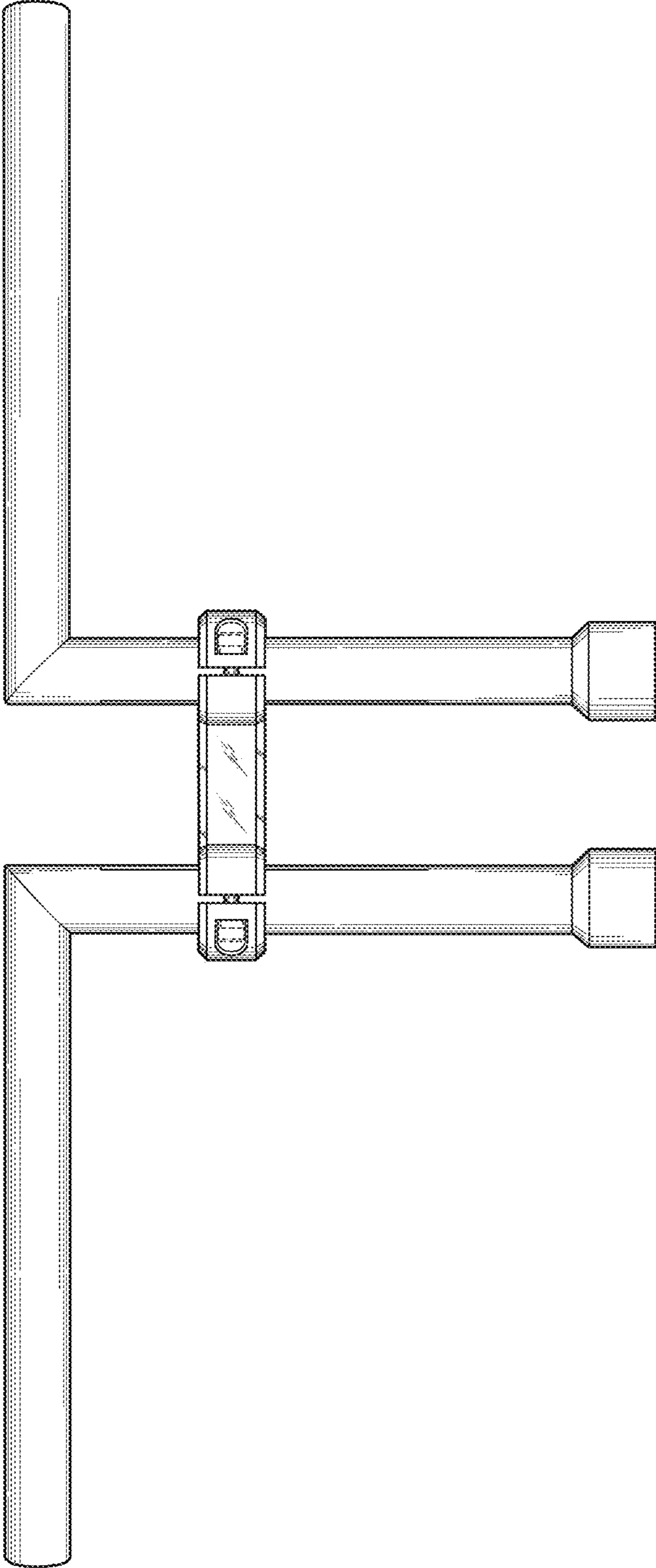


Fig.4

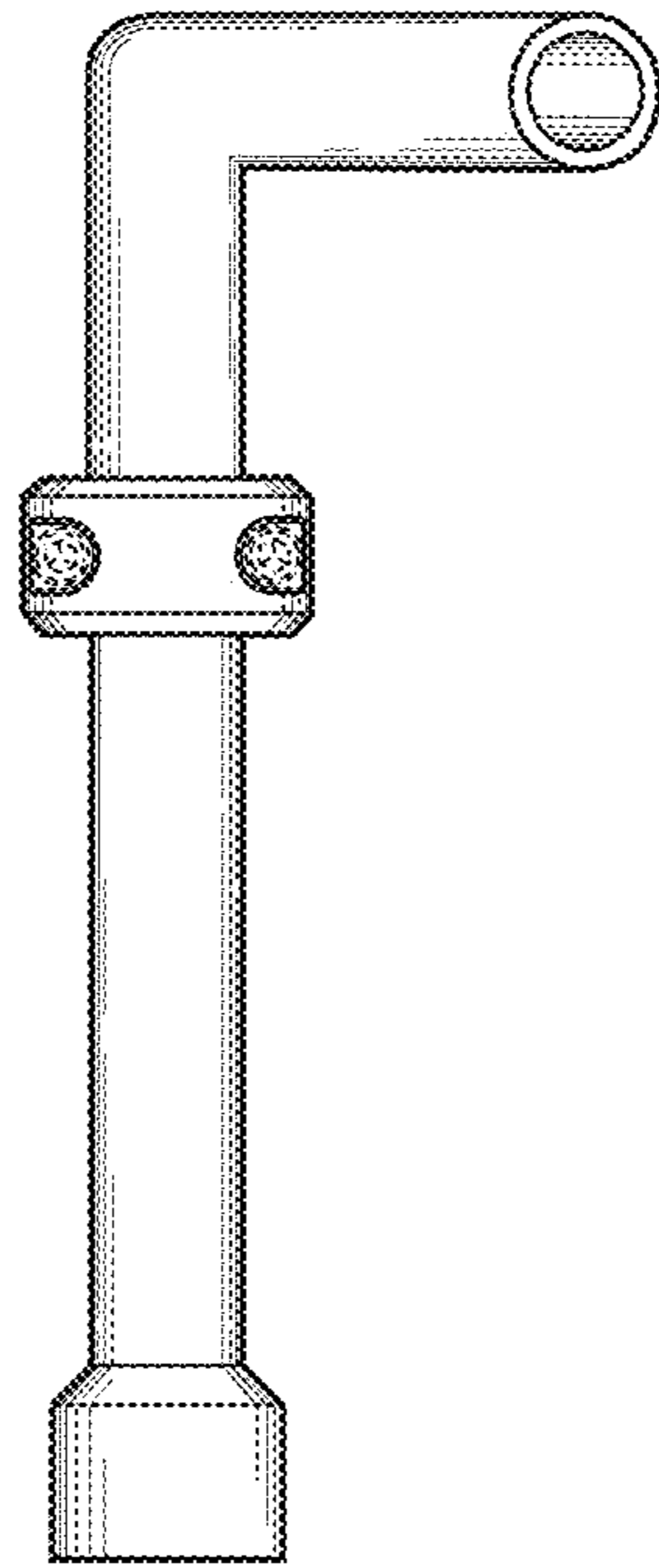


Fig. 5

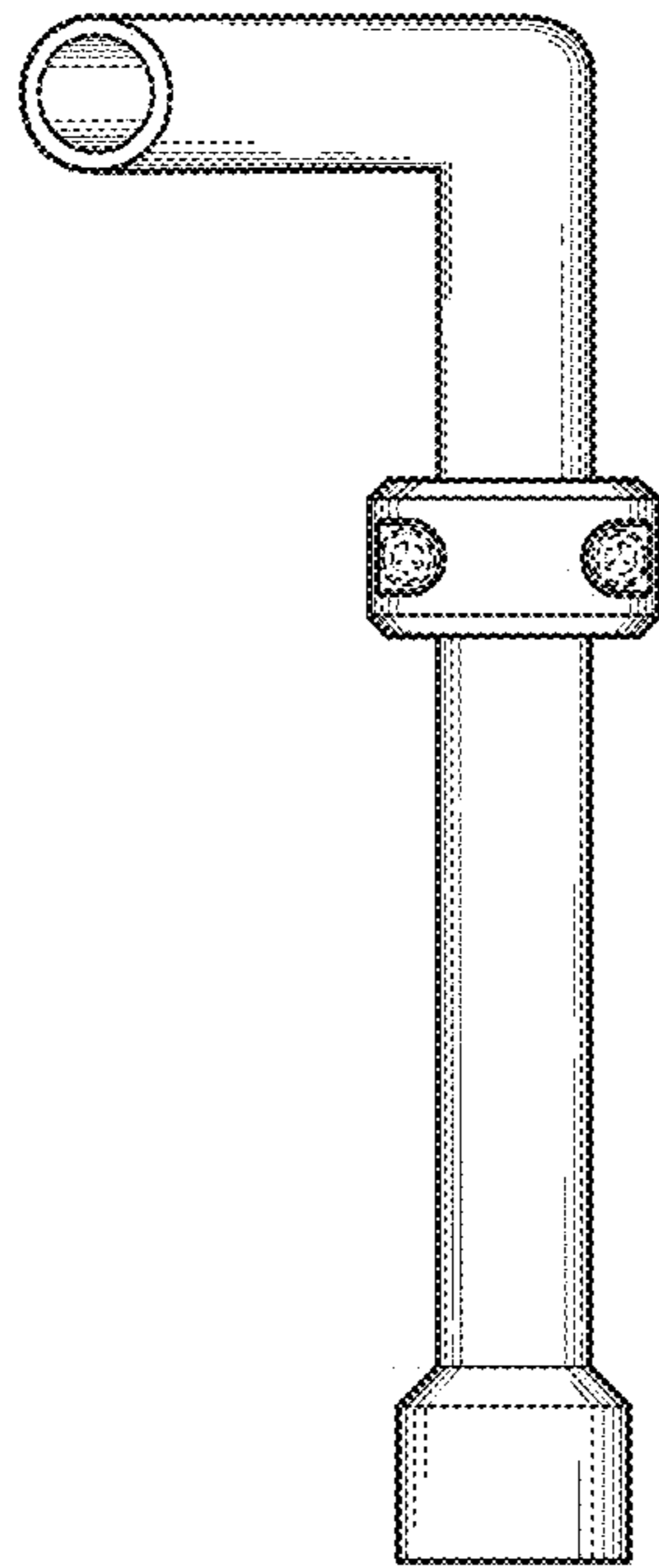


Fig.6

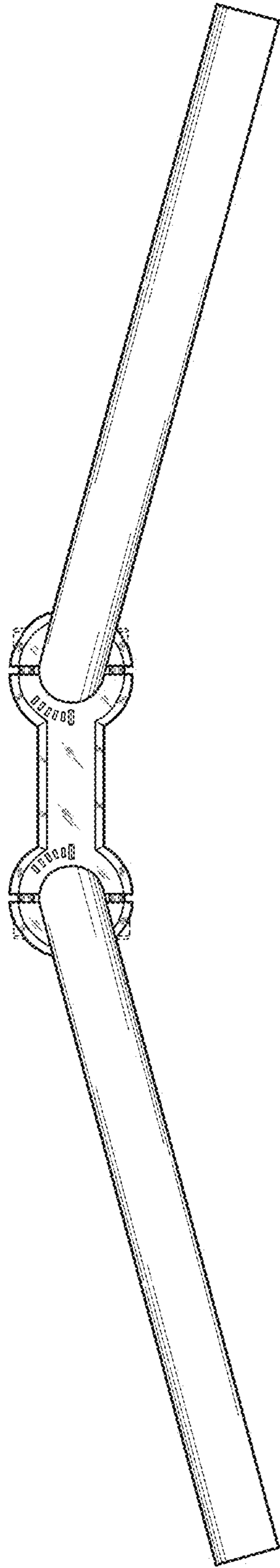


Fig. 7



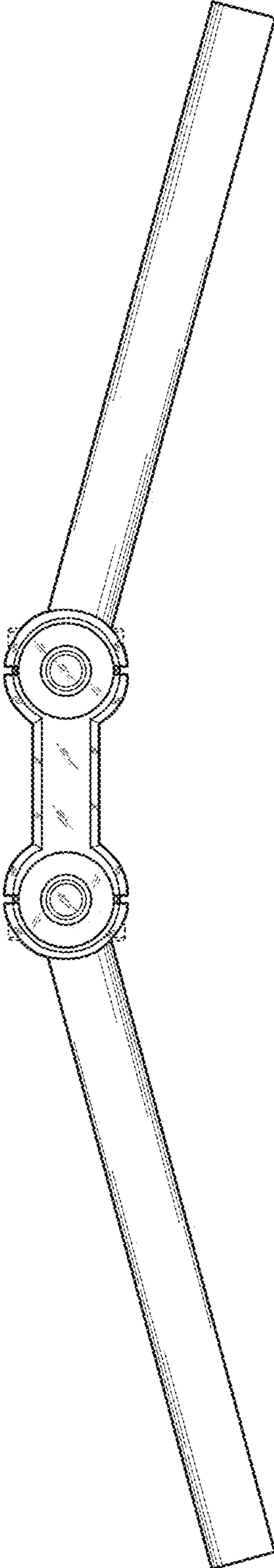


Fig. 8