



US00D893358S

(12) **United States Design Patent** (10) **Patent No.:** **US D893,358 S**  
**Buell** (45) **Date of Patent:** **\*\* Aug. 18, 2020**

(54) **MOTORCYCLE**  
(71) Applicant: **FUELL Inc.**, New York, NY (US)  
(72) Inventor: **Erik Buell**, Mukwonago, WI (US)  
(73) Assignee: **FUELL Inc.**, New York, NY (US)  
(\*\*) Term: **15 Years**  
(21) Appl. No.: **29/681,969**  
(22) Filed: **Feb. 28, 2019**  
(51) **LOC (12) Cl.** ..... **12-11**  
(52) **U.S. Cl.**  
USPC ..... **D12/114**  
(58) **Field of Classification Search**  
USPC ..... D12/114, 110, 107, 117, 119, 126, 222,  
D12/223  
CPC ..... B62K 11/04; B62K 11/02; B62K 11/00;  
B62K 19/12; B62K 25/04; B62J 7/04;  
B62J 1/12; B62J 1/28  
See application file for complete search history.

D541,706 S \* 5/2007 Goldstein ..... D12/117  
D542,191 S \* 5/2007 Alsop ..... D12/117  
D544,409 S \* 6/2007 Hutchison ..... D12/114  
D583,717 S \* 12/2008 Brown ..... D12/117  
D737,729 S \* 9/2015 Seo ..... D12/114  
D786,739 S \* 5/2017 Fujimoto ..... D12/110

\* cited by examiner

*Primary Examiner* — Michelle E. Wilson

*Assistant Examiner* — Clese Moore, Jr.

(74) *Attorney, Agent, or Firm* — Banner & Witcoff, Ltd.

(57) **CLAIM**

The ornamental design for a motorcycle, as shown and described.

**DESCRIPTION**

FIG. 1 is a top, front, right perspective view of a motorcycle showing my new design;  
FIG. 2 is a right side view thereof;  
FIG. 3 is a left side view thereof;  
FIG. 4 is a top view thereof;  
FIG. 5 is a rear, right side view thereof;  
FIG. 6 is a rear, left side view thereof; and,  
FIG. 7 is an enlarged view of FIG. 5 with environment removed to enhance clarity.

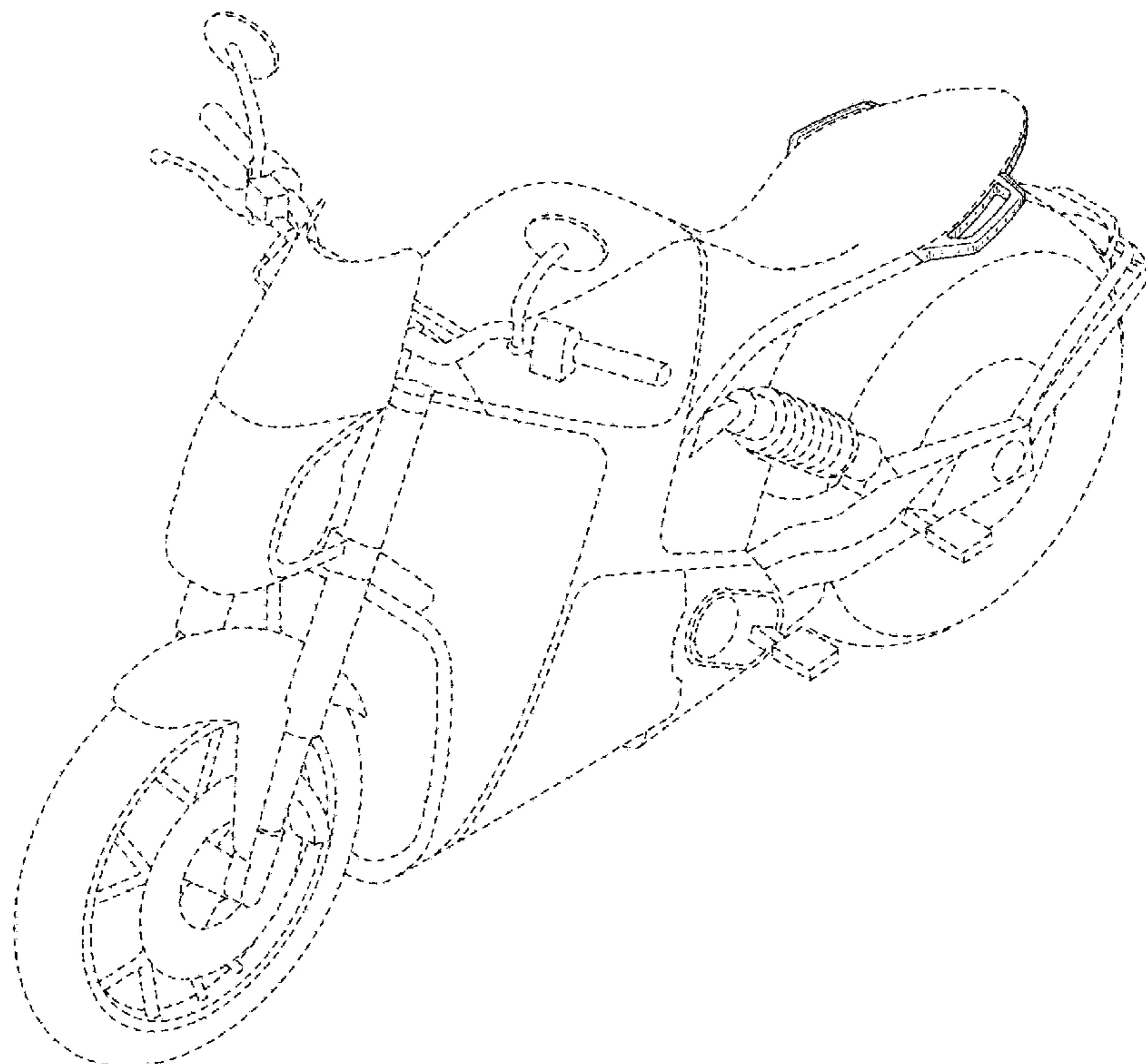
The broken lines immediately adjacent to the shaded area define the bounds of the claimed design and form no part thereof. The broken lines depicting the remainder of the motorcycle show features that form no part of the claimed design.

**1 Claim, 7 Drawing Sheets**

(56) **References Cited**

**U.S. PATENT DOCUMENTS**

D497,332 S \* 10/2004 Sugimoto ..... D12/114  
D503,363 S \* 3/2005 Alsop ..... D12/117  
D509,462 S \* 9/2005 Ford ..... D12/117  
D516,470 S \* 3/2006 Clements ..... D12/114  
D520,414 S \* 5/2006 Tanaka ..... D12/119  
D521,418 S \* 5/2006 Lee ..... D12/114  
D521,419 S \* 5/2006 Mezzasalma ..... D12/117  
D527,314 S \* 8/2006 Czysz ..... D12/117



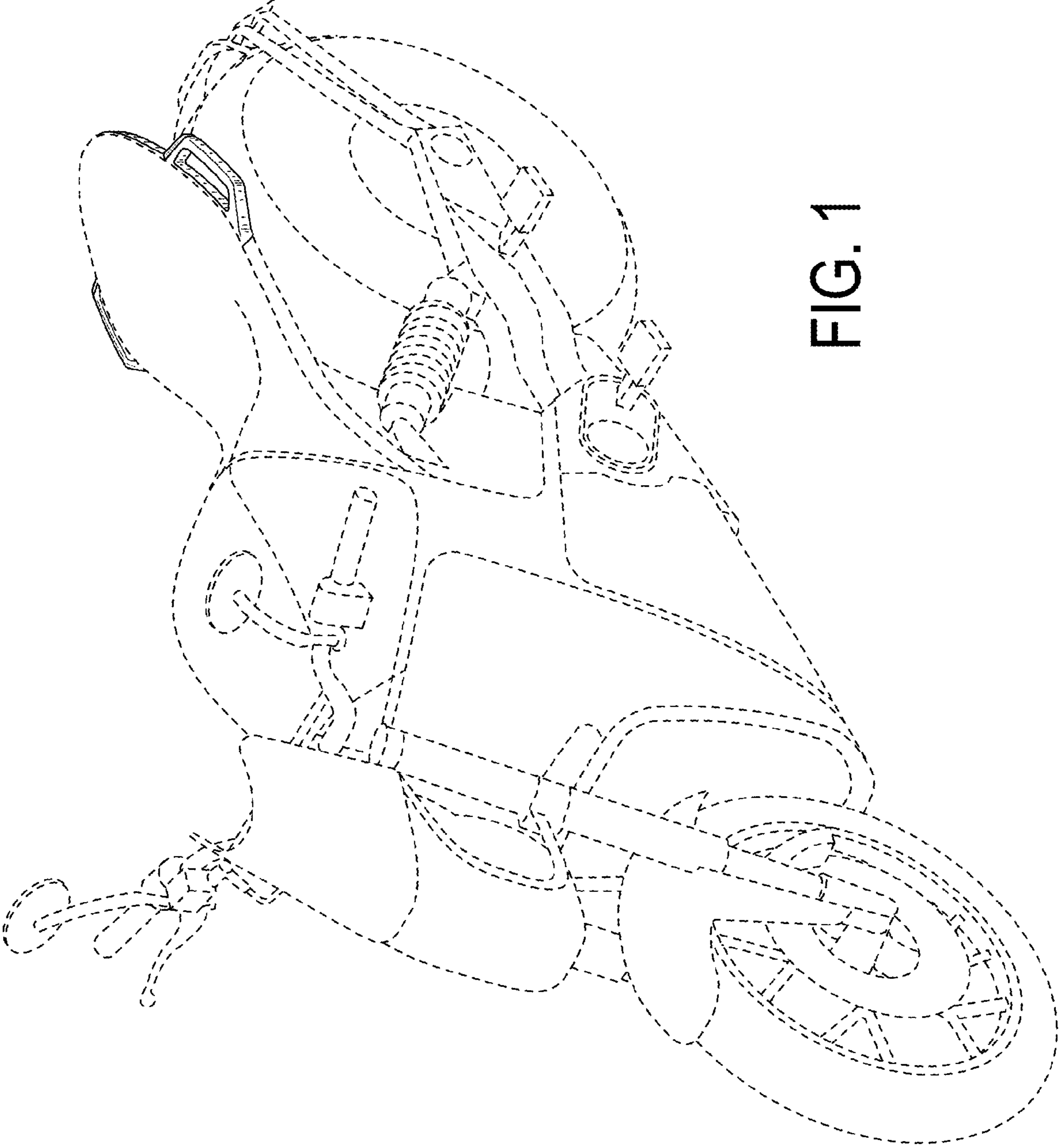


FIG. 1

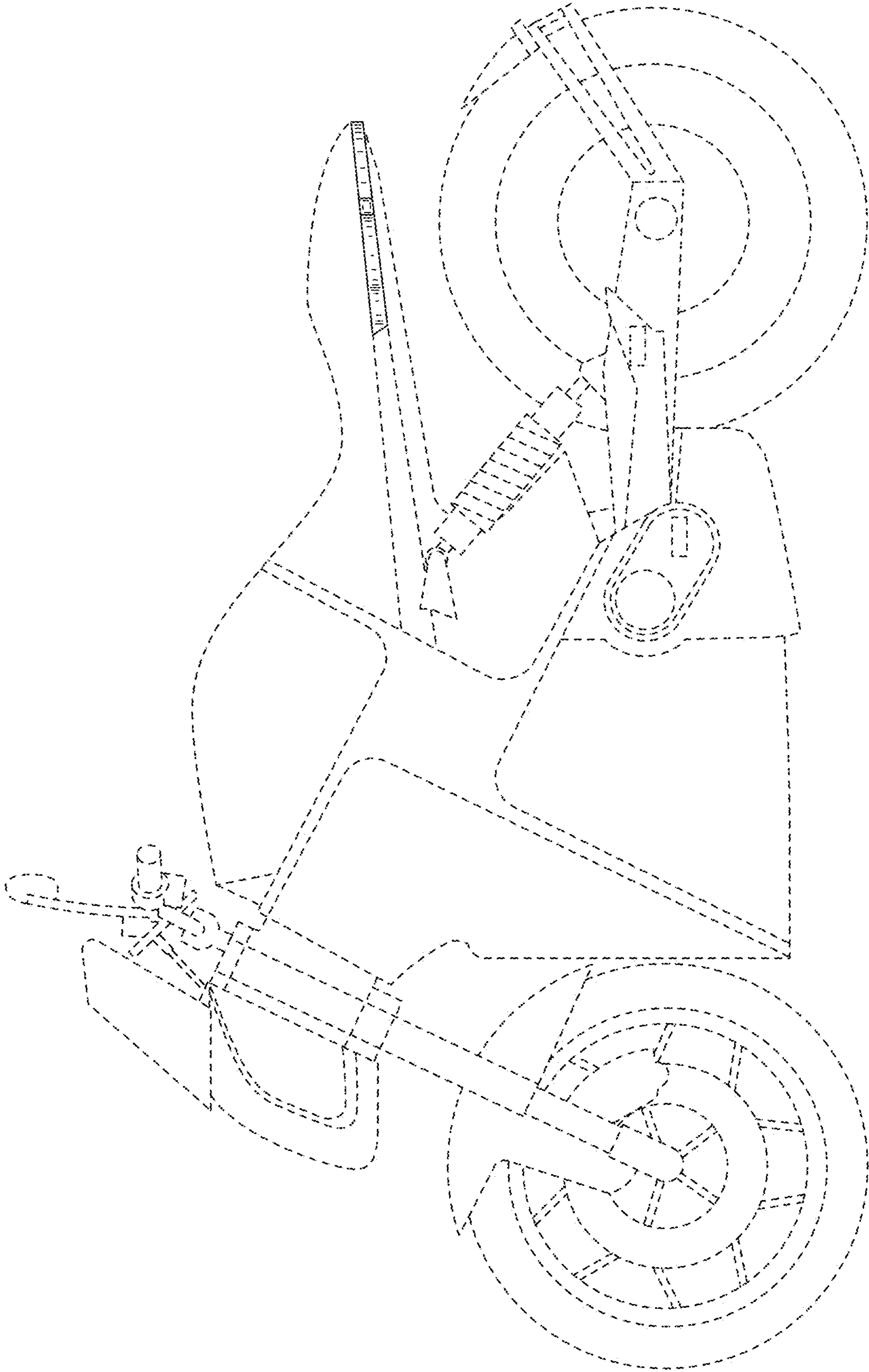


FIG. 2

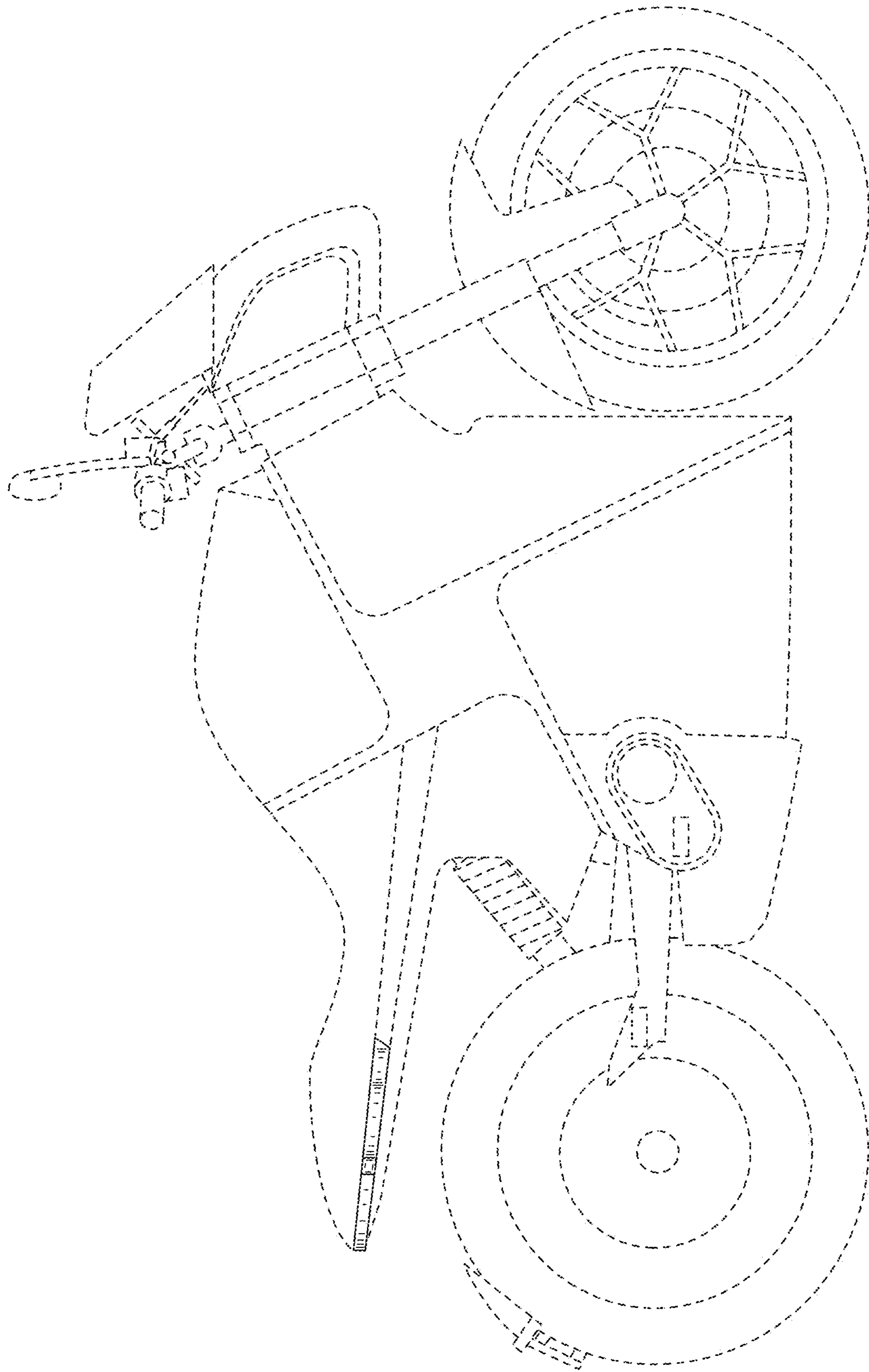


FIG. 3



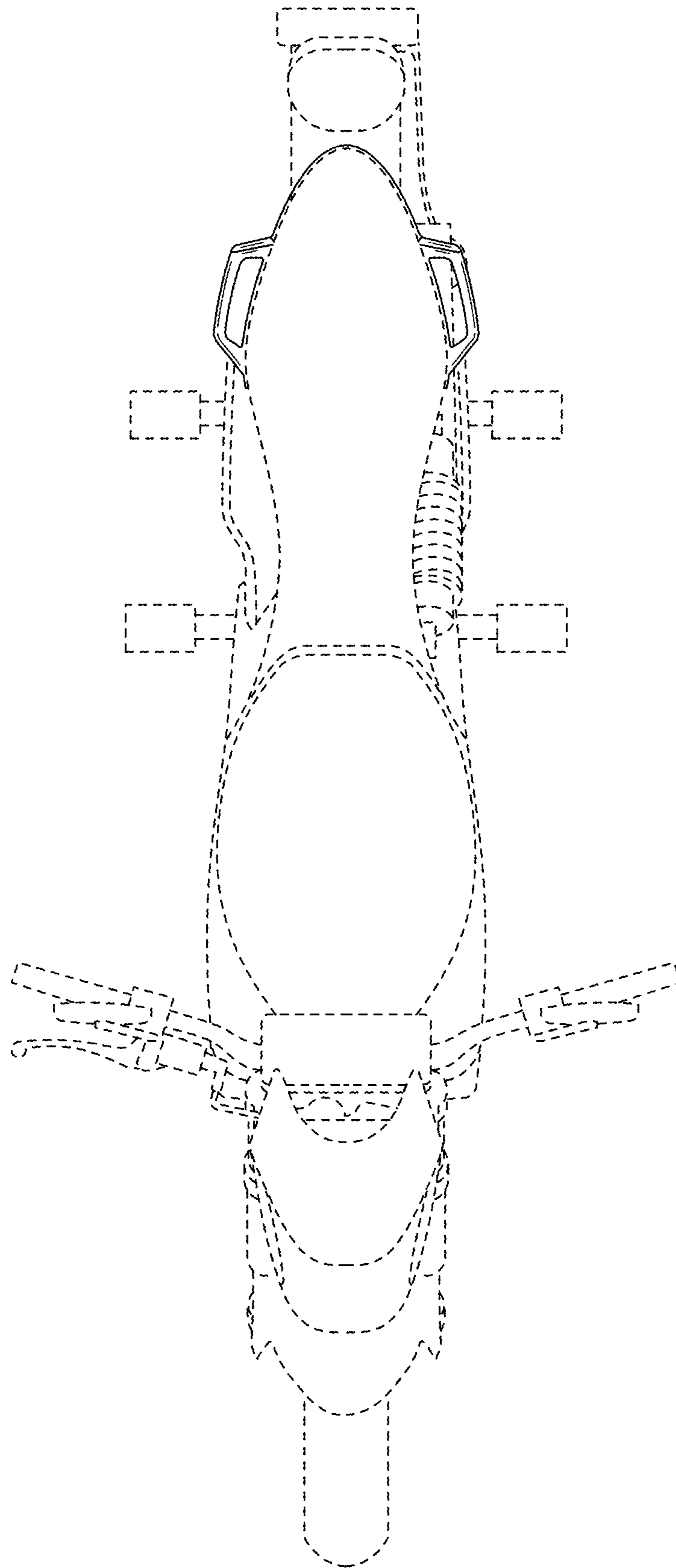
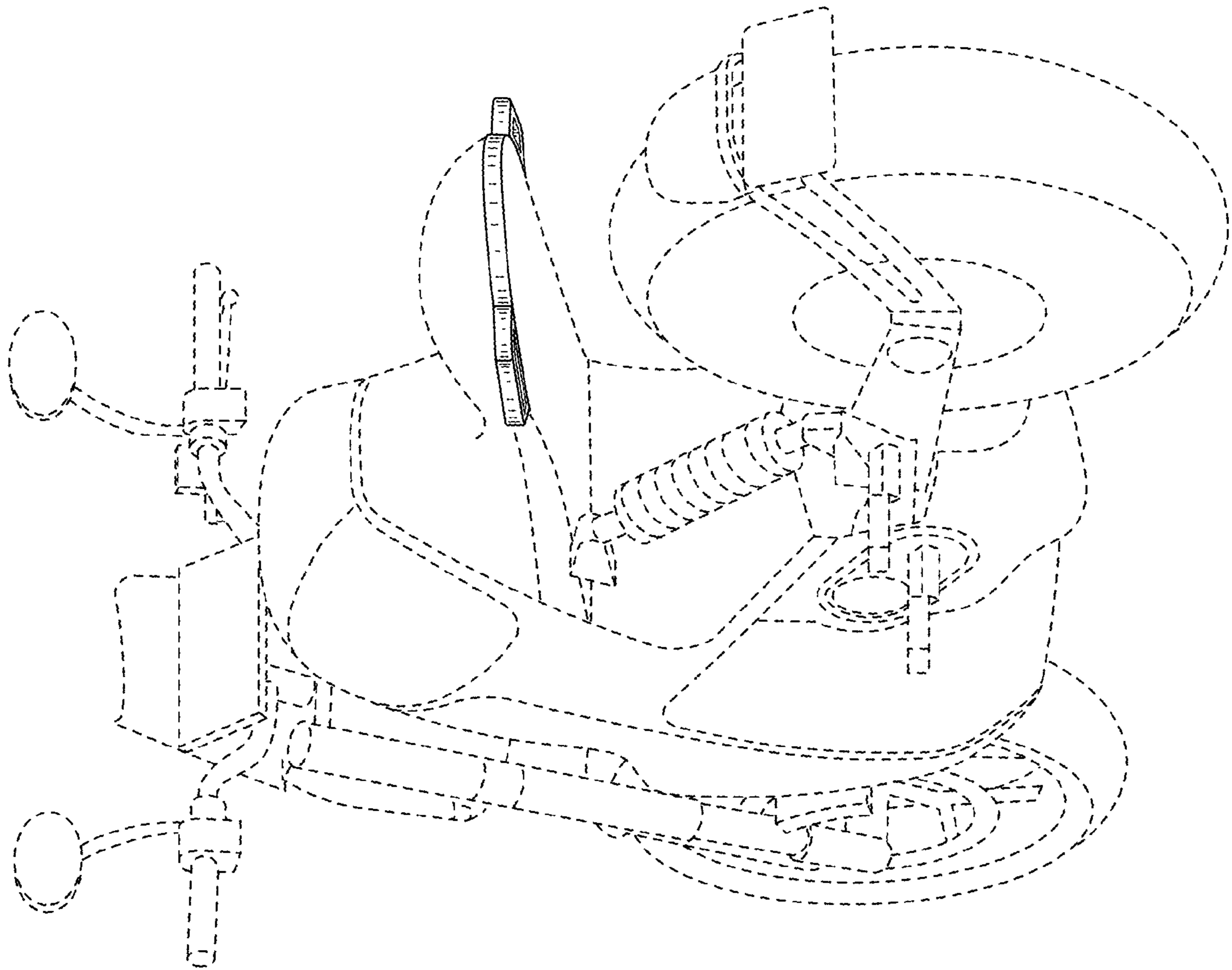


FIG. 4

FIG. 5



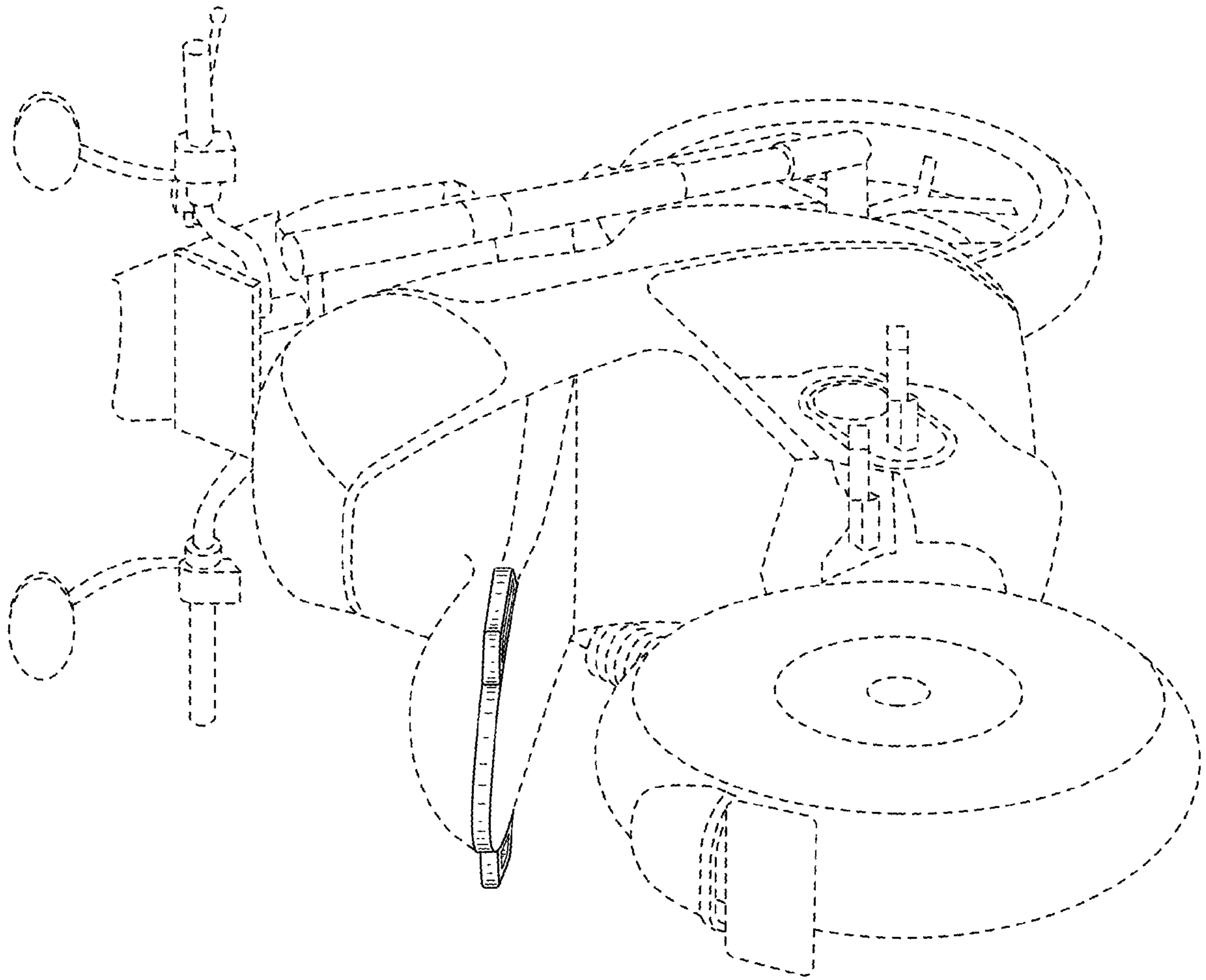


FIG. 6

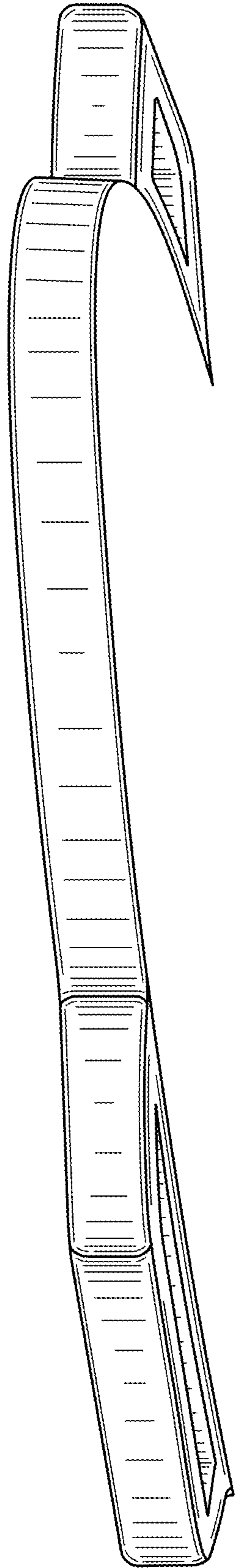


FIG. 7