



US00D893357S

(12) **United States Design Patent**
Butler et al.

(10) **Patent No.:** **US D893,357 S**

(45) **Date of Patent:** **** Aug. 18, 2020**

(54) **TRAVEL TRAILER**

(71) Applicant: **Chinook Motor Coach, LLC**, Elkhart, IN (US)

(72) Inventors: **Jeff Butler**, Granger, IN (US); **Phil Rizzio**, Las Vegas, NV (US)

(73) Assignee: **CHINOOK MOTOR COACH, LLC**, Elkhart, IN (US)

(**) Term: **15 Years**

(21) Appl. No.: **29/664,976**

(22) Filed: **Sep. 28, 2018**

(51) **LOC (12) Cl.** **12-10**

(52) **U.S. Cl.**
USPC **D12/101**

(58) **Field of Classification Search**
USPC D12/100, 101, 102, 103, 104, 105, 106,
D12/111, 112, 19, 129; D21/425, 435;
D34/12, 16, 17, 18, 19, 21, 22, 23, 24,
D34/25, 26

CPC B62D 35/02; B62D 35/00; B62D 63/06;
A62B 3/005; B60P 3/10; B60P 3/341

See application file for complete search history.

(56) **References Cited**

U.S. PATENT DOCUMENTS

D242,851 S	*	12/1976	Sakow	D12/103
D313,955 S	*	1/1991	van der Merwe	D12/102
D354,023 S	*	1/1995	Romesburg	D12/102
D380,704 S	*	7/1997	Cairney	D12/1
D395,261 S	*	6/1998	Puhl	D12/102
5,992,920 A	*	11/1999	Bailey	B60P 3/341
					296/169
D443,561 S	*	6/2001	Voogt	D12/102
D449,797 S	*	10/2001	Gerzeny	D12/103
D458,190 S	*	6/2002	LeDonne	D12/102

D458,876 S	*	6/2002	Kendall	D12/103
D486,759 S	*	2/2004	Armstrong	D12/102
D491,844 S	*	6/2004	Poulin	D12/93
D509,169 S	*	9/2005	Keighan	D12/102
D510,545 S	*	10/2005	Riegel	D12/102
D542,185 S	*	5/2007	Remington	D12/103
D544,815 S	*	6/2007	Williams	D12/101
D563,282 S	*	3/2008	Mason	D12/102
D568,793 S	*	5/2008	Oliver	D12/103
D603,299 S	*	11/2009	Prusmack	D12/102
D619,078 S	*	7/2010	Frankham	D12/404
D653,588 S	*	2/2012	Heard	D12/102
D664,072 S	*	7/2012	Halloran	D12/102
D737,726 S	*	9/2015	Austin	D12/104
D759,546 S	*	6/2016	Van Wyk	D12/102
D762,145 S	*	7/2016	Van Bosstraeten	D12/102
D801,229 S	*	10/2017	Brock	B62D 63/06
					D12/102

* cited by examiner

Primary Examiner — Susan E Krakower

Assistant Examiner — Jerry Shiuan-Hua Hsu

(74) *Attorney, Agent, or Firm* — Dickinson Wright, PLLC

(57) **CLAIM**

The ornamental design for a travel trailer, as shown and described.

DESCRIPTION

FIG. 1 is a front perspective view of the travel trailer, showing our new design;

FIG. 2 is a rear perspective view of the travel trailer;

FIG. 3 is a front view of the travel trailer;

FIG. 4 is a rear view of the travel trailer;

FIG. 5 is a right side view of the travel trailer;

FIG. 6 is left side view of the travel trailer; and,

FIG. 7 is top view of the travel trailer.

The broken lines in the drawings illustrate portions of the travel trailer that form no part of the claimed design.

1 Claim, 6 Drawing Sheets

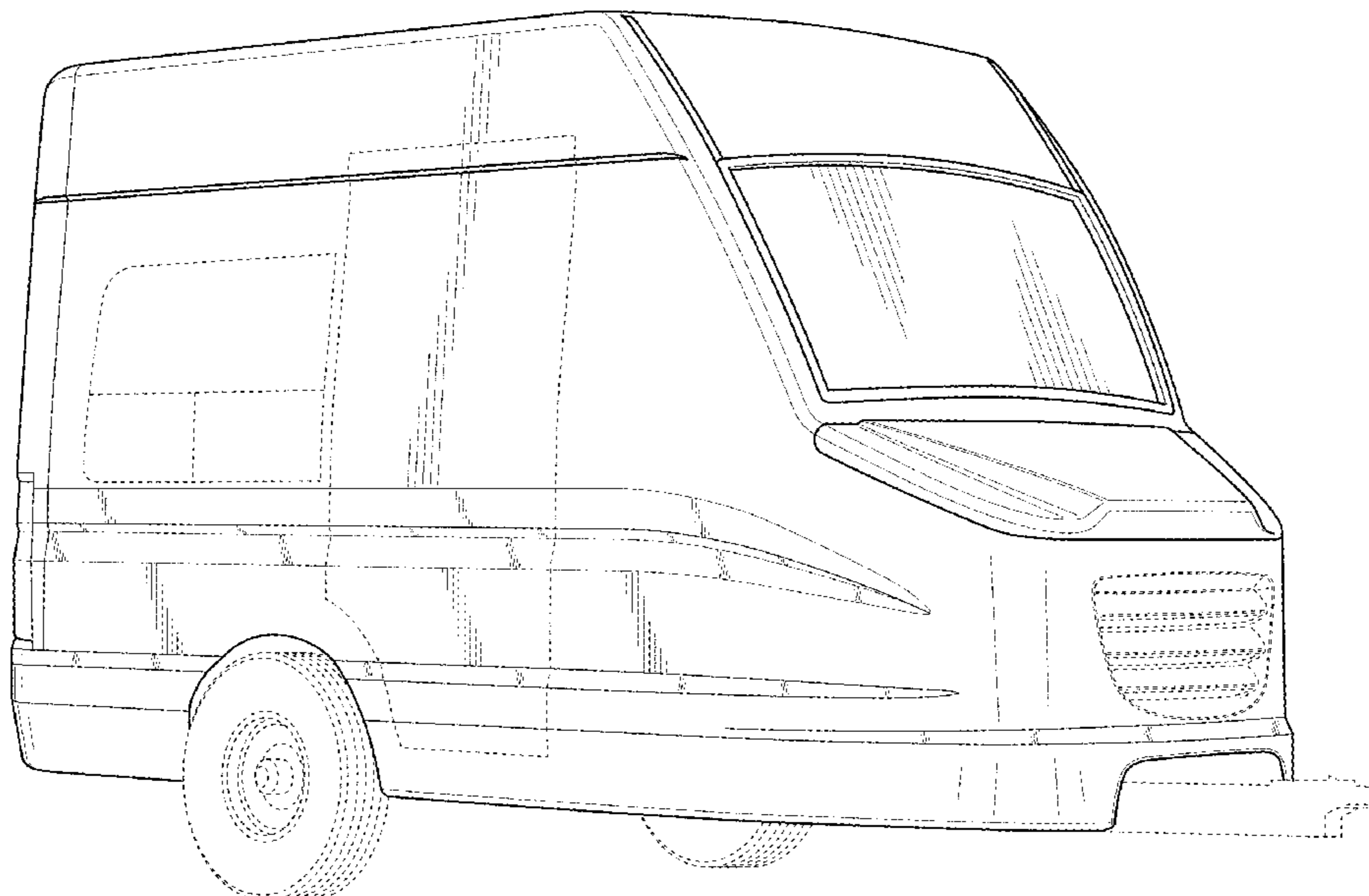


FIG. 1

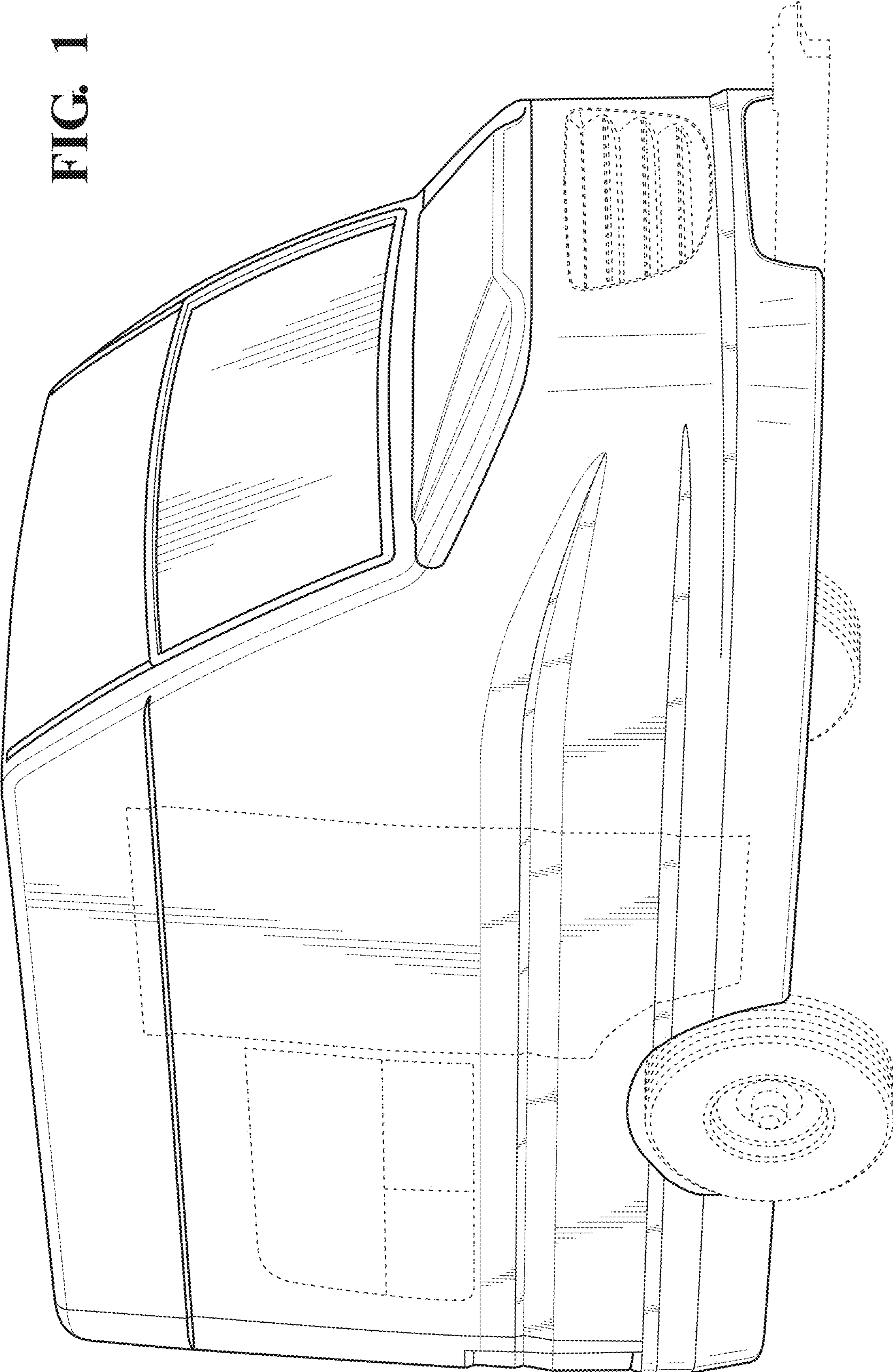
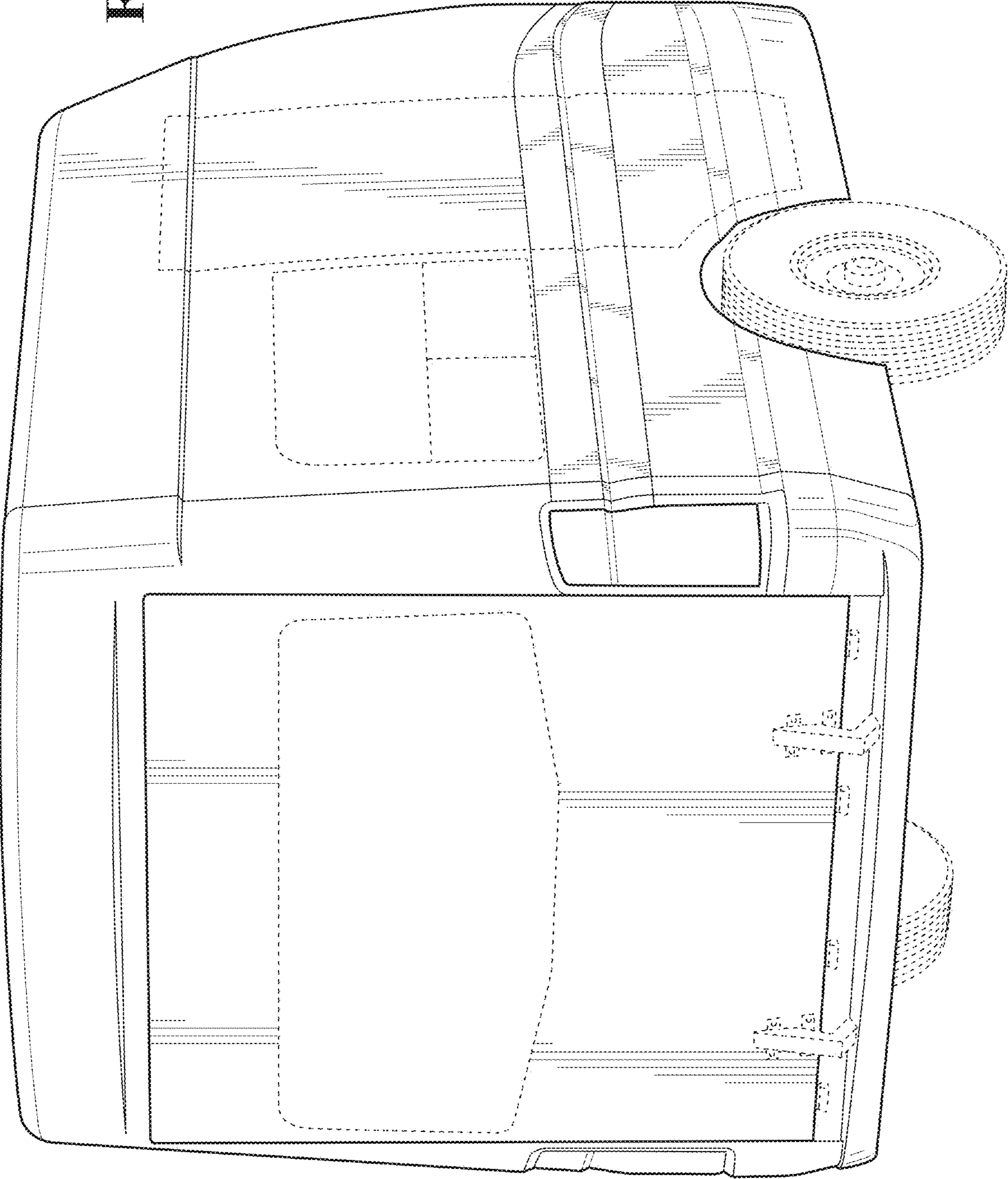


FIG. 2



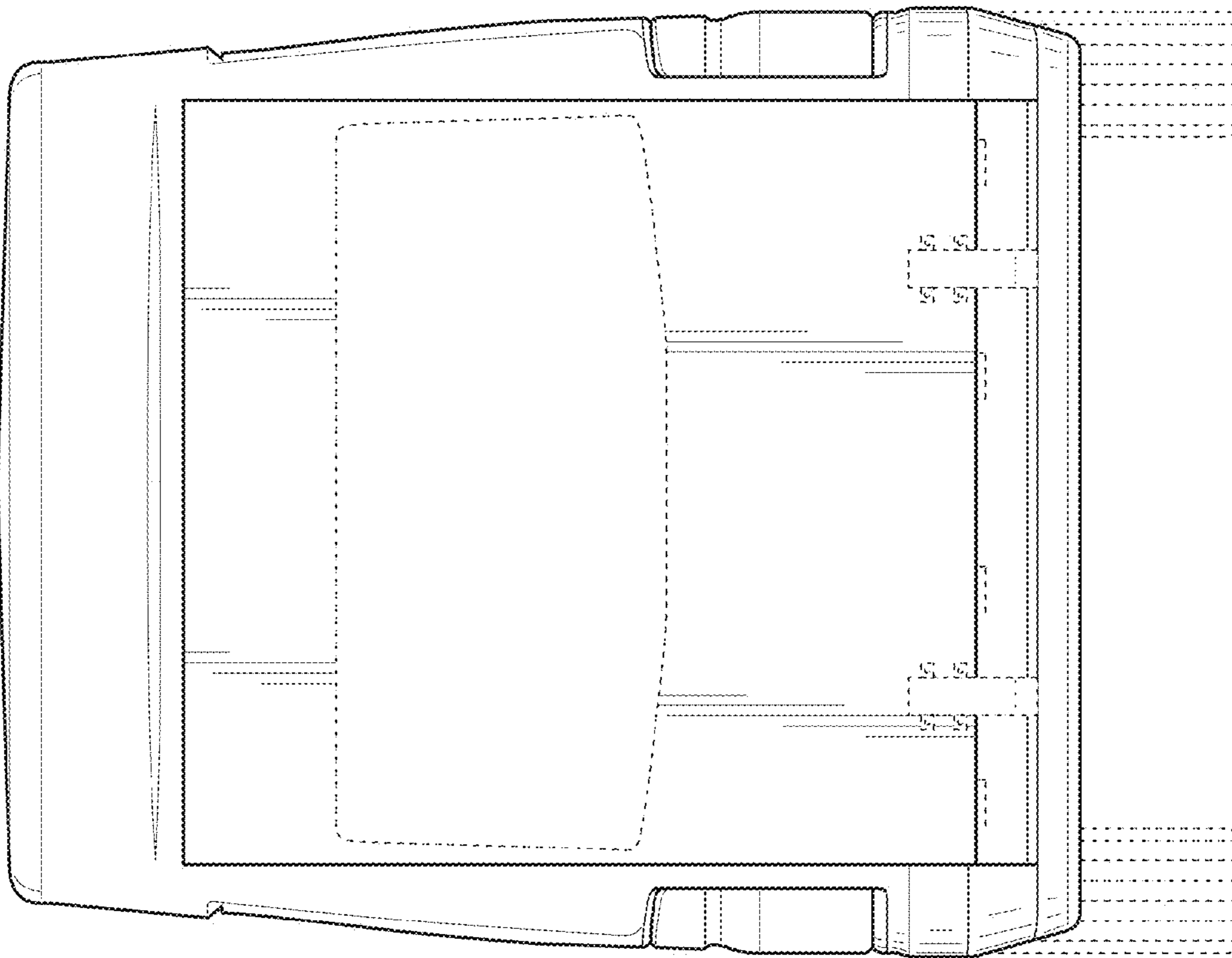


FIG. 4

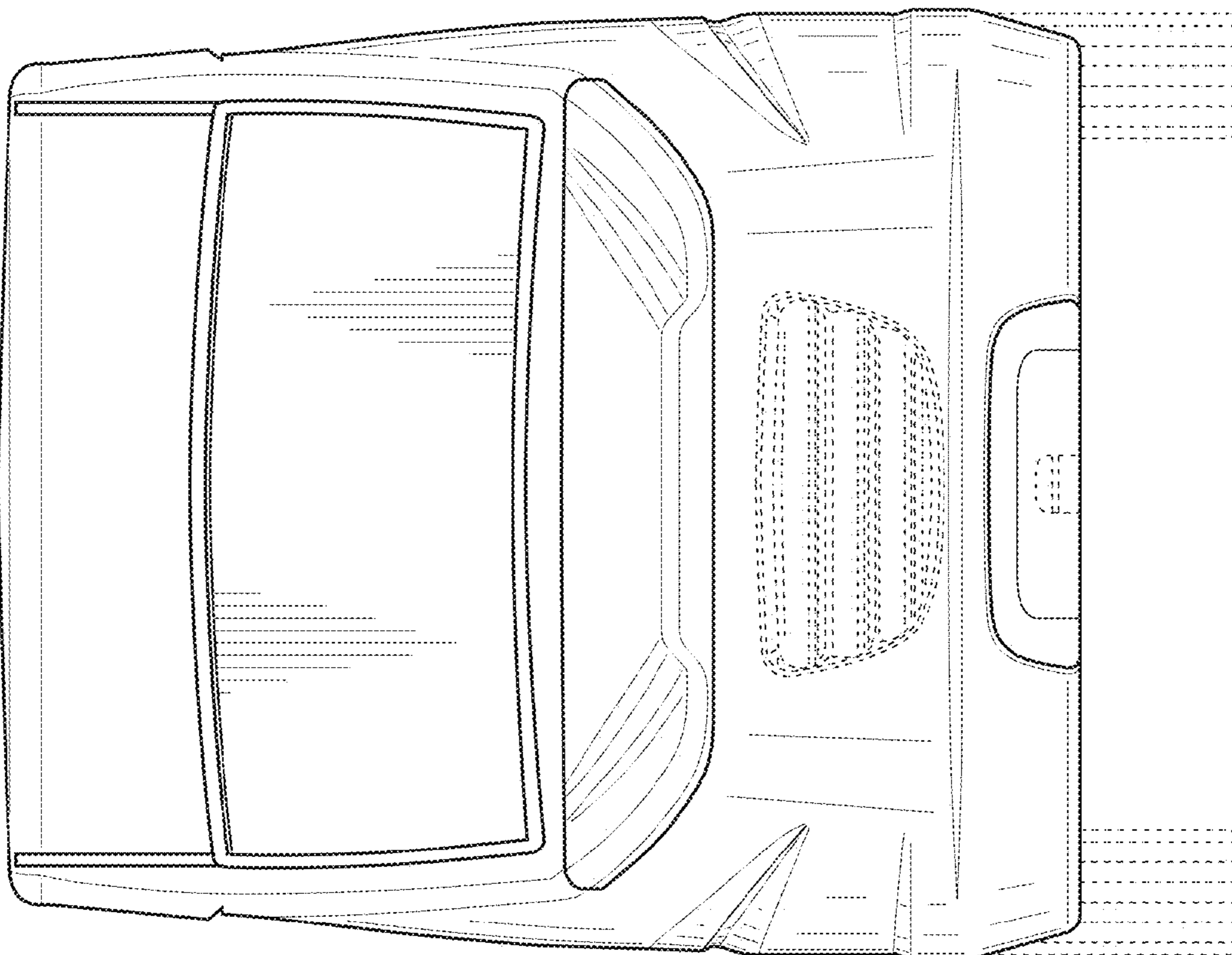


FIG. 3

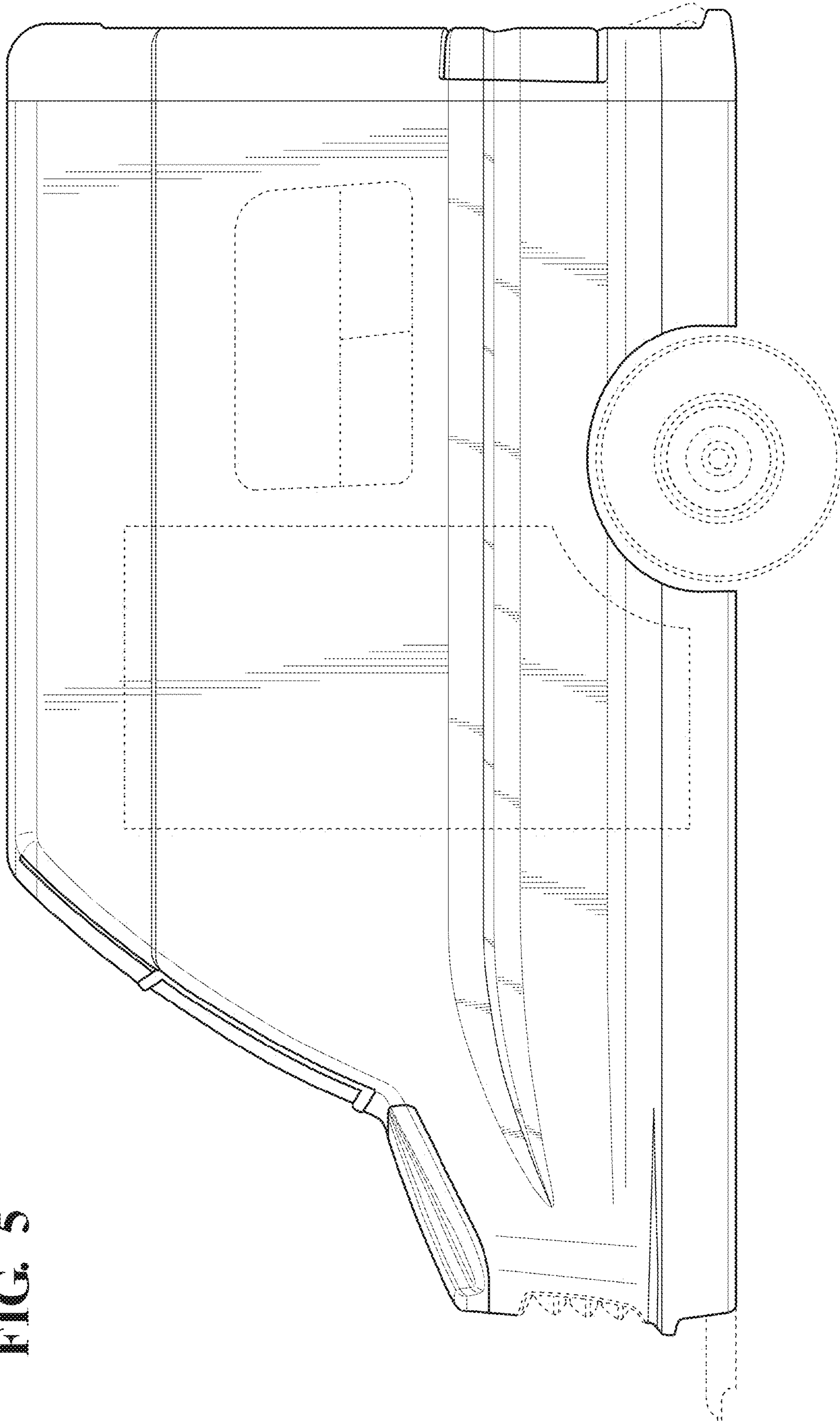
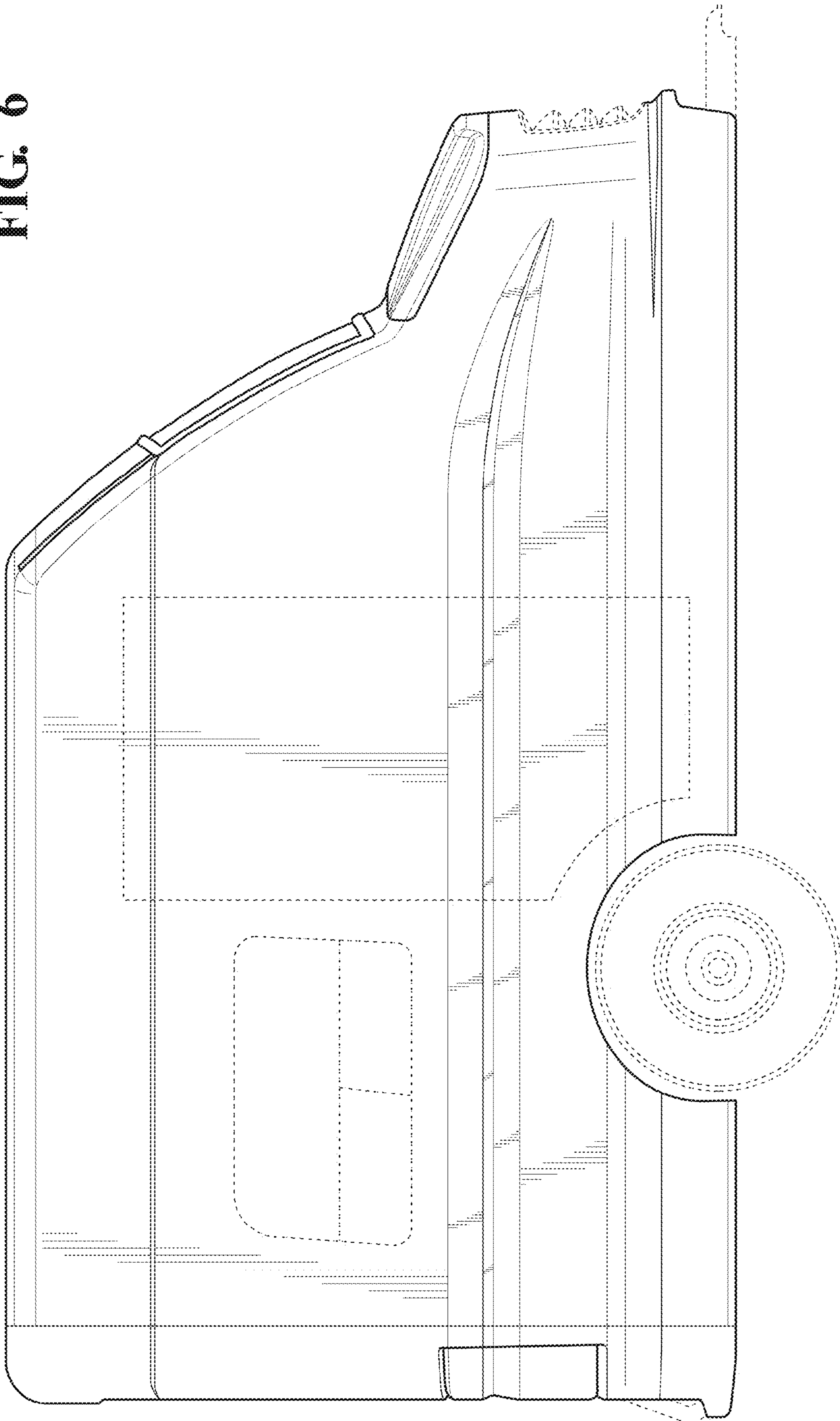


FIG. 5

FIG. 6



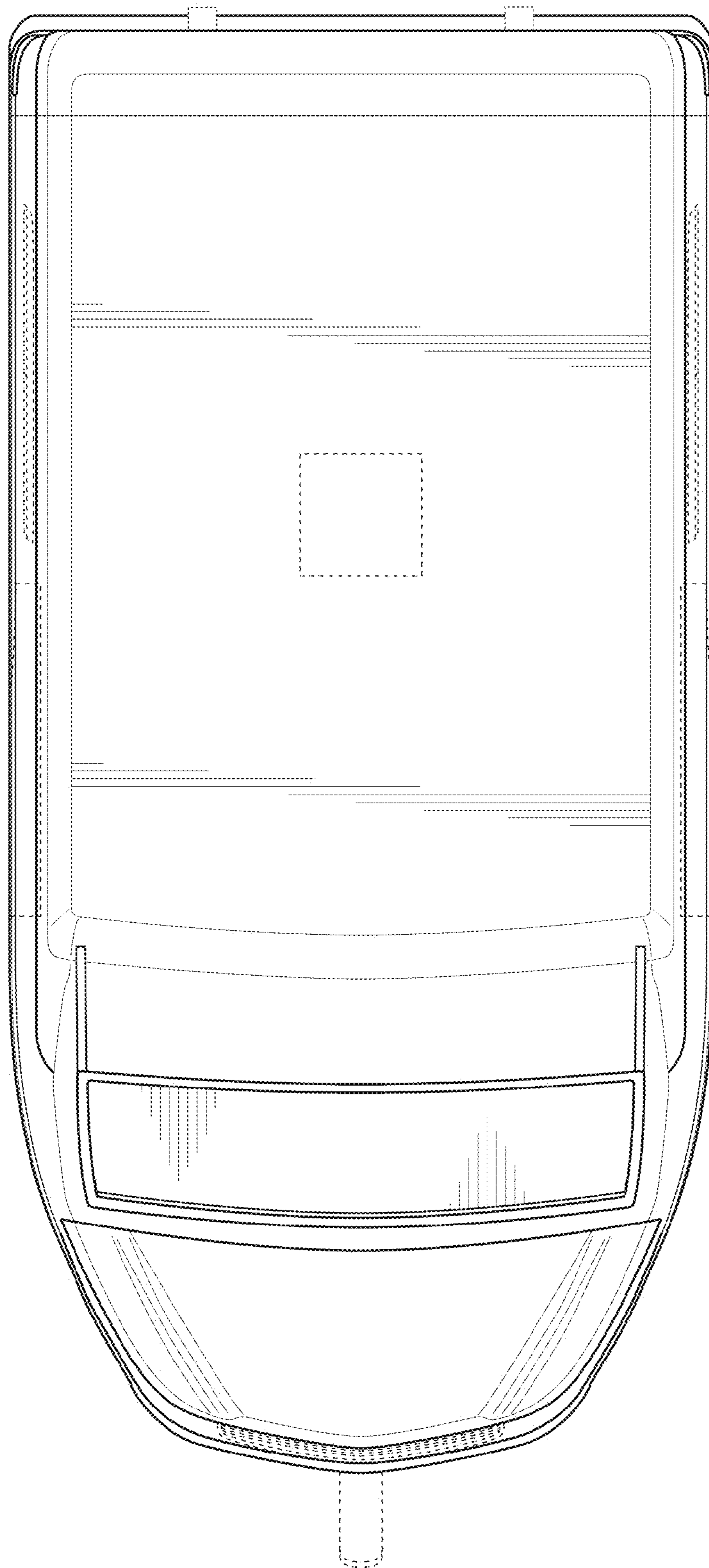


FIG. 7