



US00D893348S

(12) **United States Design Patent**  
**Cheng**

(10) **Patent No.:** **US D893,348 S**

(45) **Date of Patent:** **\*\* Aug. 18, 2020**

(54) **CHAIN FOR SLIDE FASTENER**  
(71) Applicant: **UNITECH ZIPPER & MACHINERY CO., LTD.,** New Taipei (TW)  
(72) Inventor: **Jung-Yuan Cheng,** New Taipei (TW)  
(73) Assignee: **UNITECH ZIPPER & MACHINERY CO., LTD.,** New Taipei (TW)

(\*\*) Term: **15 Years**

(21) Appl. No.: **29/647,614**

(22) Filed: **May 15, 2018**

(30) **Foreign Application Priority Data**

Jan. 30, 2018 (TW) ..... 107300590

(51) **LOC (12) Cl.** ..... **02-07**

(52) **U.S. Cl.**  
USPC ..... **D11/221**

(58) **Field of Classification Search**  
USPC ..... D2/639, 705, 742-744, 747, 828, 830,  
D2/836, 839, 848, 853, 857, 863, 864,  
D2/911, 946; D11/200, 201, 213, 214,  
D11/220-222, 228

CPC . A41D 1/06; A41D 1/062; A41D 1/08; A41D  
1/082; A41D 13/02; A41D 27/201; A41D  
27/202; A41D 27/205; A41B 2300/322;  
A44B 19/00; A44B 19/02; A44B 19/04;  
A44B 19/06; A44B 19/08; A44B 19/10;  
A44B 19/24; A44B 19/26; A44B 19/28;  
A44B 19/30; A44B 19/262; A44B  
19/386; A44B 19/388

See application file for complete search history.

(56) **References Cited**

**U.S. PATENT DOCUMENTS**

2,637,886 A \* 5/1953 Hora ..... A44B 19/06  
24/406  
2,644,995 A \* 7/1953 Morin ..... A44B 19/04  
24/405

2,828,523 A \* 4/1958 Morin ..... A44B 19/04  
24/406  
D252,896 S \* 9/1979 Jovin ..... 24/410  
7,698,790 B2 \* 4/2010 Holloway ..... A44B 19/36  
24/436  
D644,564 S \* 9/2011 Kojima ..... D11/221  
D672,686 S \* 12/2012 Masani ..... D11/221  
D672,687 S \* 12/2012 Himi ..... D11/221  
D673,077 S \* 12/2012 Fujita ..... D11/221  
D724,996 S \* 3/2015 Hung ..... D11/221  
D740,169 S \* 10/2015 Ogura ..... D11/221  
D823,719 S \* 7/2018 Cheng ..... D11/221  
2019/0142116 A1 \* 5/2019 Cheng ..... A44B 19/301  
24/389

\* cited by examiner

*Primary Examiner* — Kevin K Rudzinski

*Assistant Examiner* — Richard Kearney

(74) *Attorney, Agent, or Firm* — Alan D. Kamrath; Mayer & Williams PC

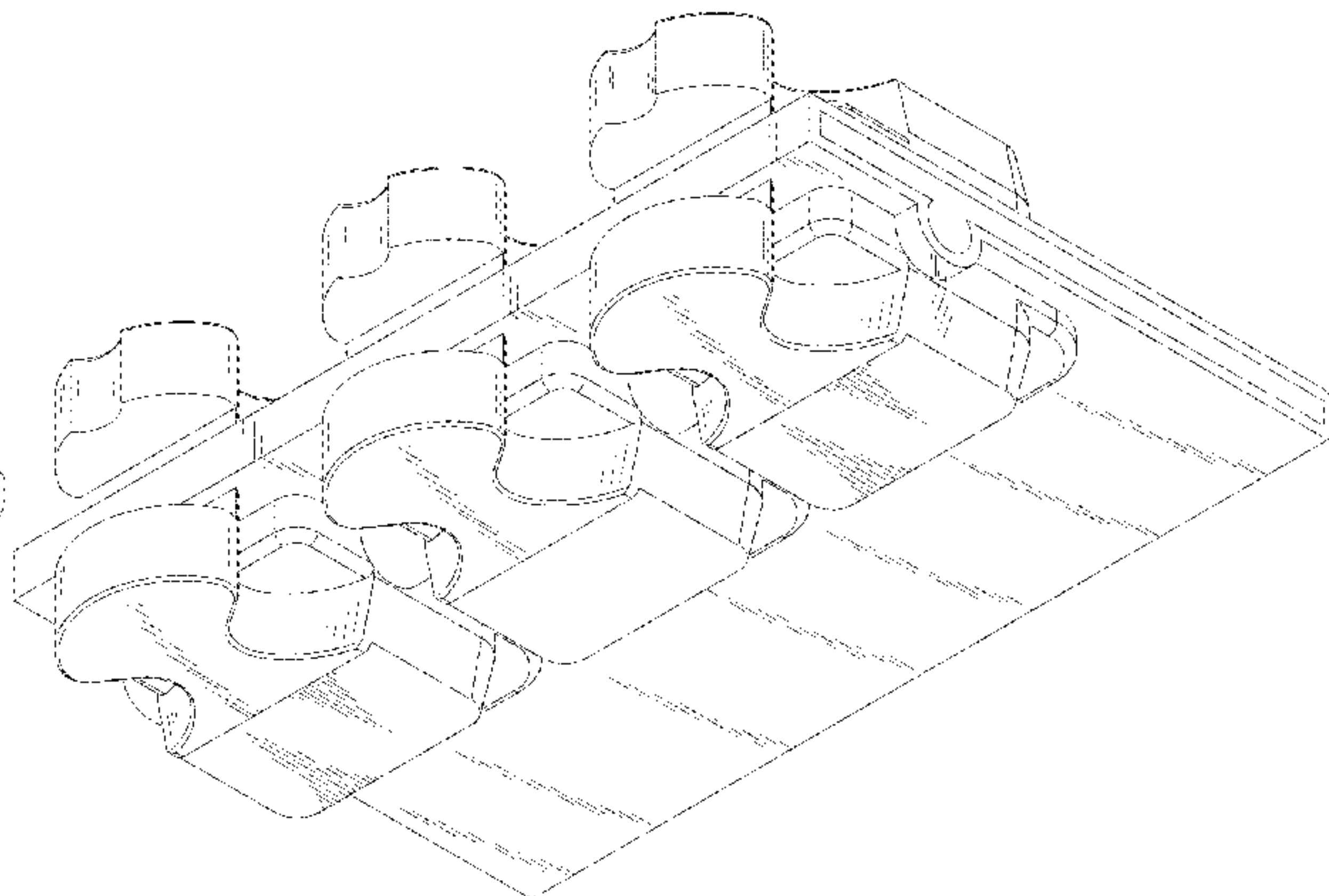
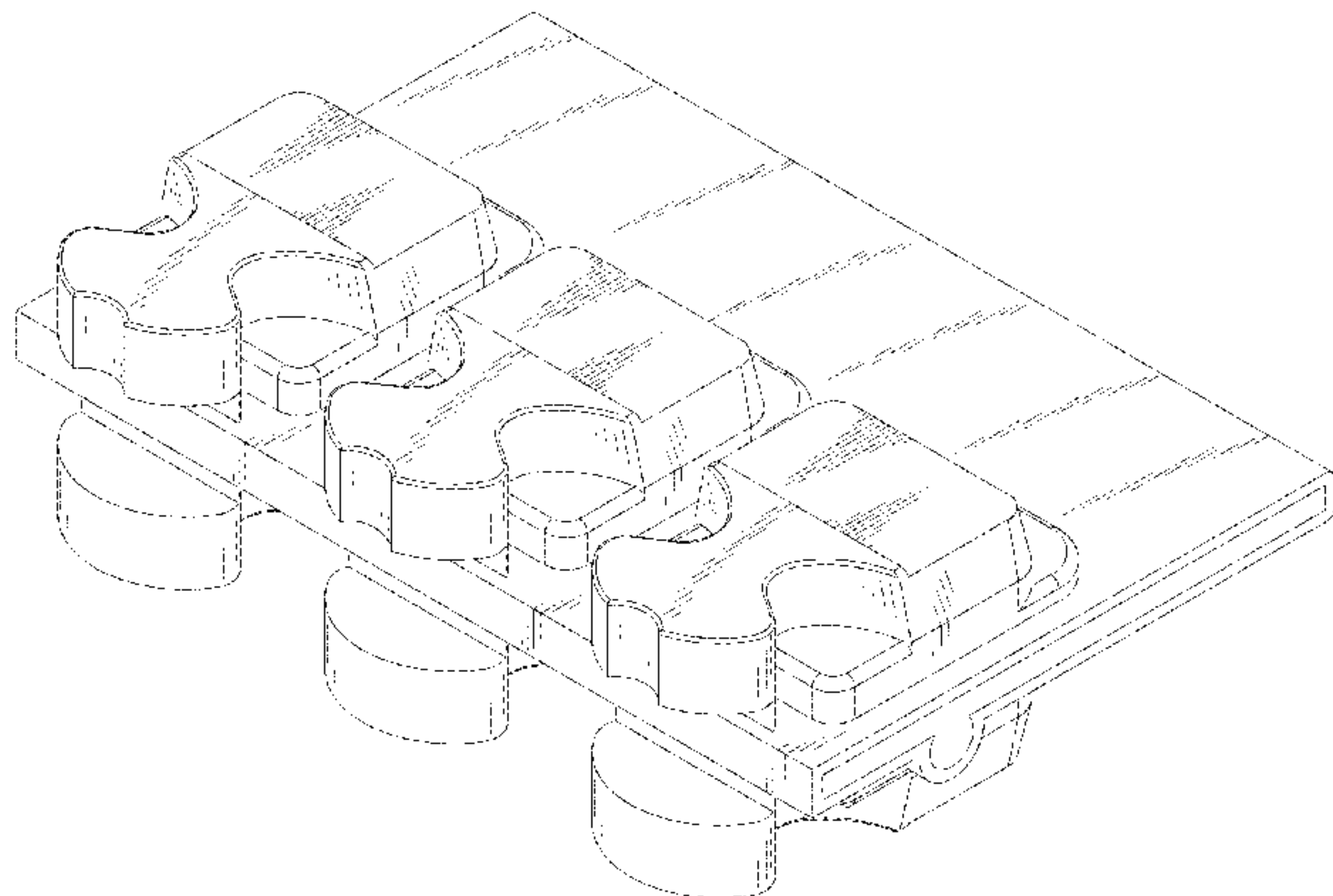
(57) **CLAIM**

The ornamental design for a chain for a slide fastener, as shown and described.

**DESCRIPTION**

FIG. 1 is a perspective view of a chain for a slide fastener showing my new design;  
FIG. 2 is a front elevation view thereof;  
FIG. 3 is a rear elevation view thereof;  
FIG. 4 is a left side elevation view thereof;  
FIG. 5 is a right side elevation view thereof;  
FIG. 6 is a top plan view thereof;  
7 is a bottom plan view thereof; and,  
FIG. 8 is another perspective view thereof.

**1 Claim, 6 Drawing Sheets**



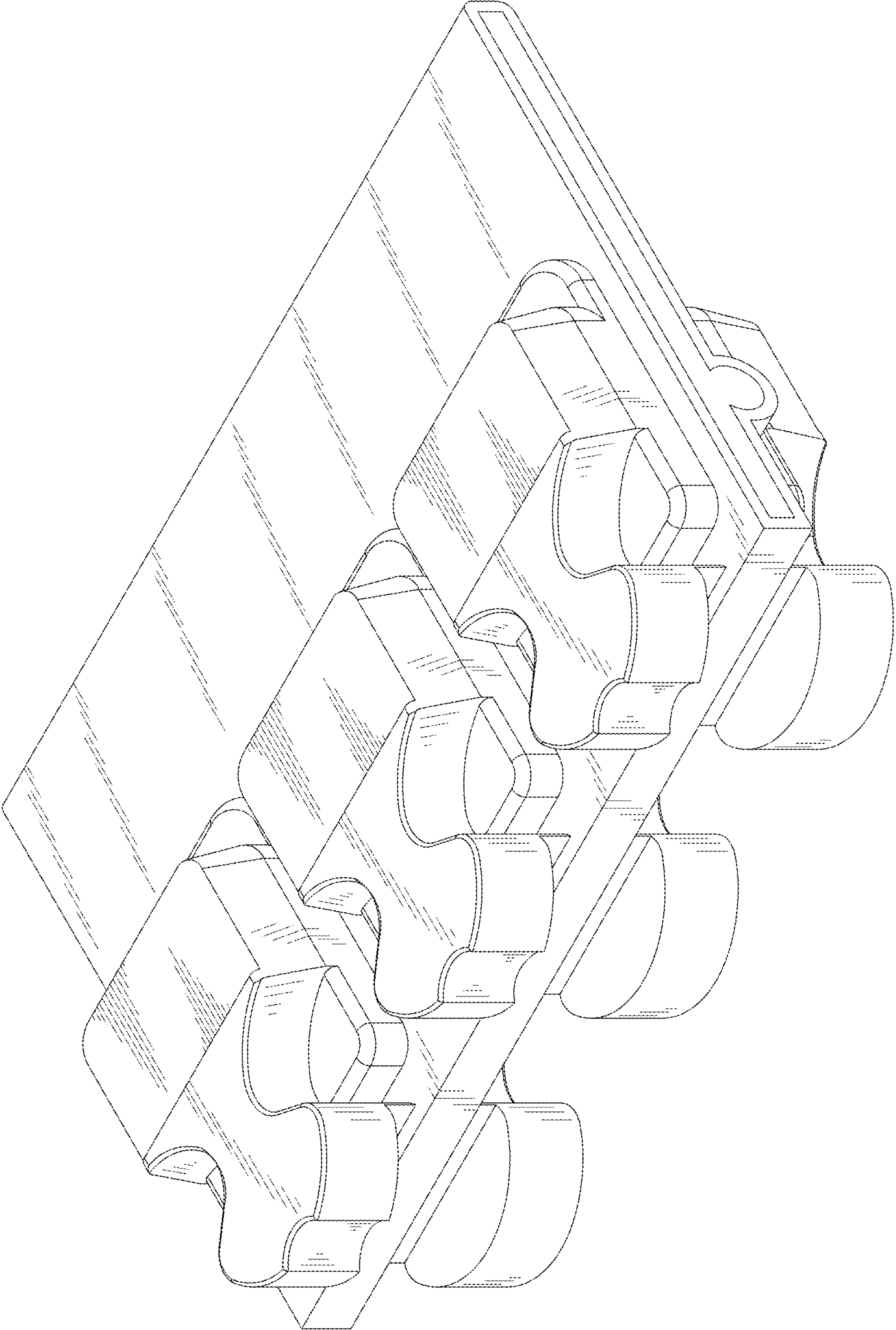


FIG. 1

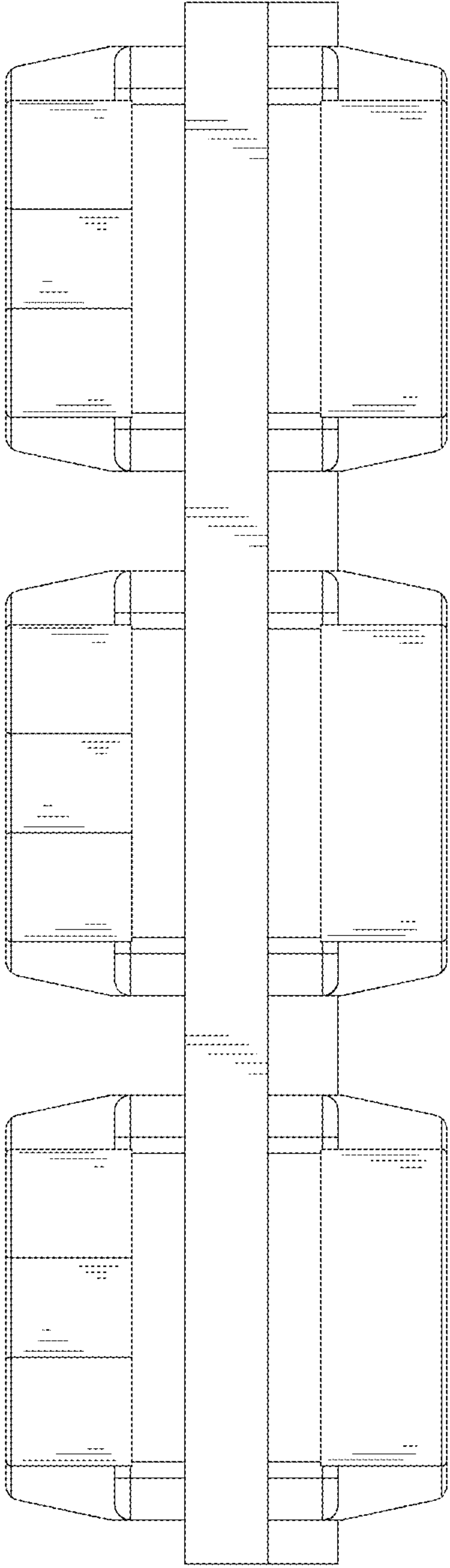


FIG. 2

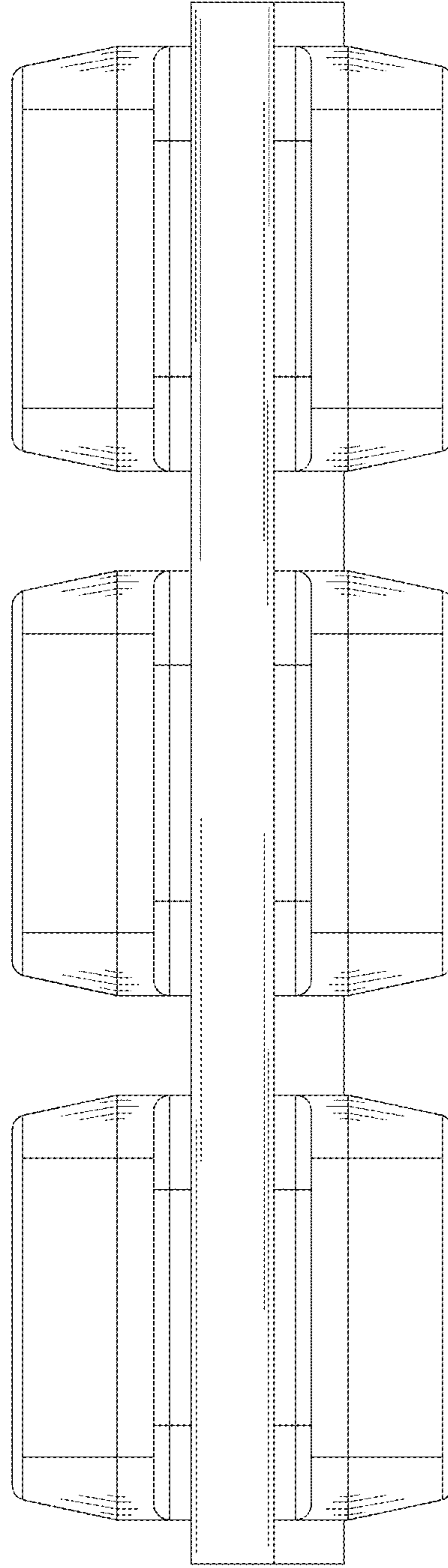


FIG. 3



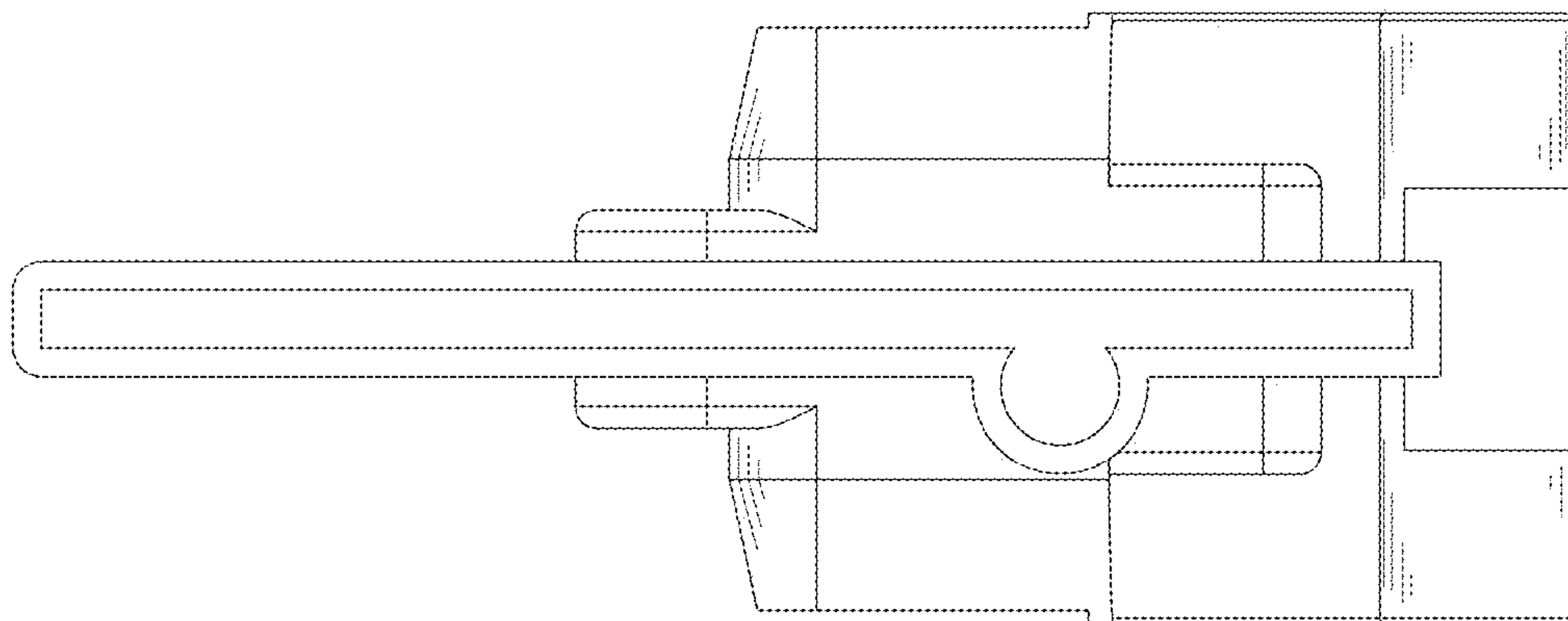


FIG. 4

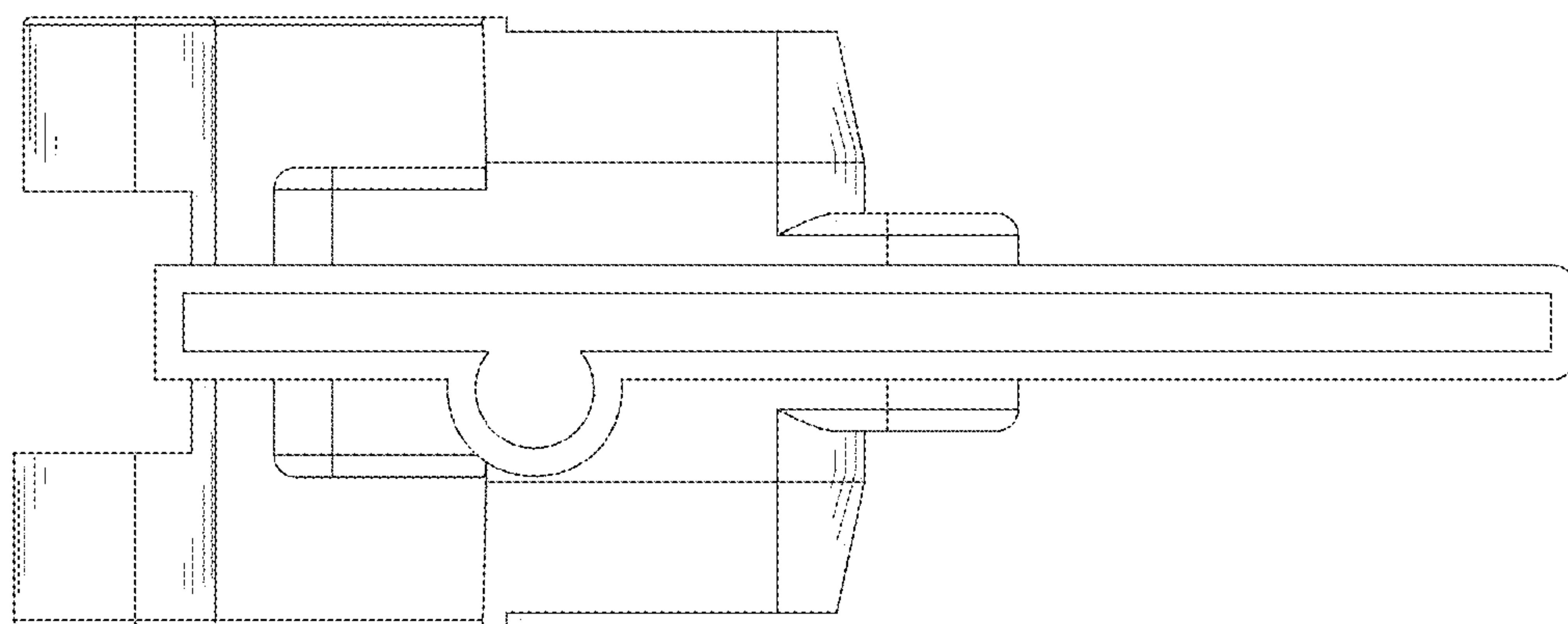


FIG. 5

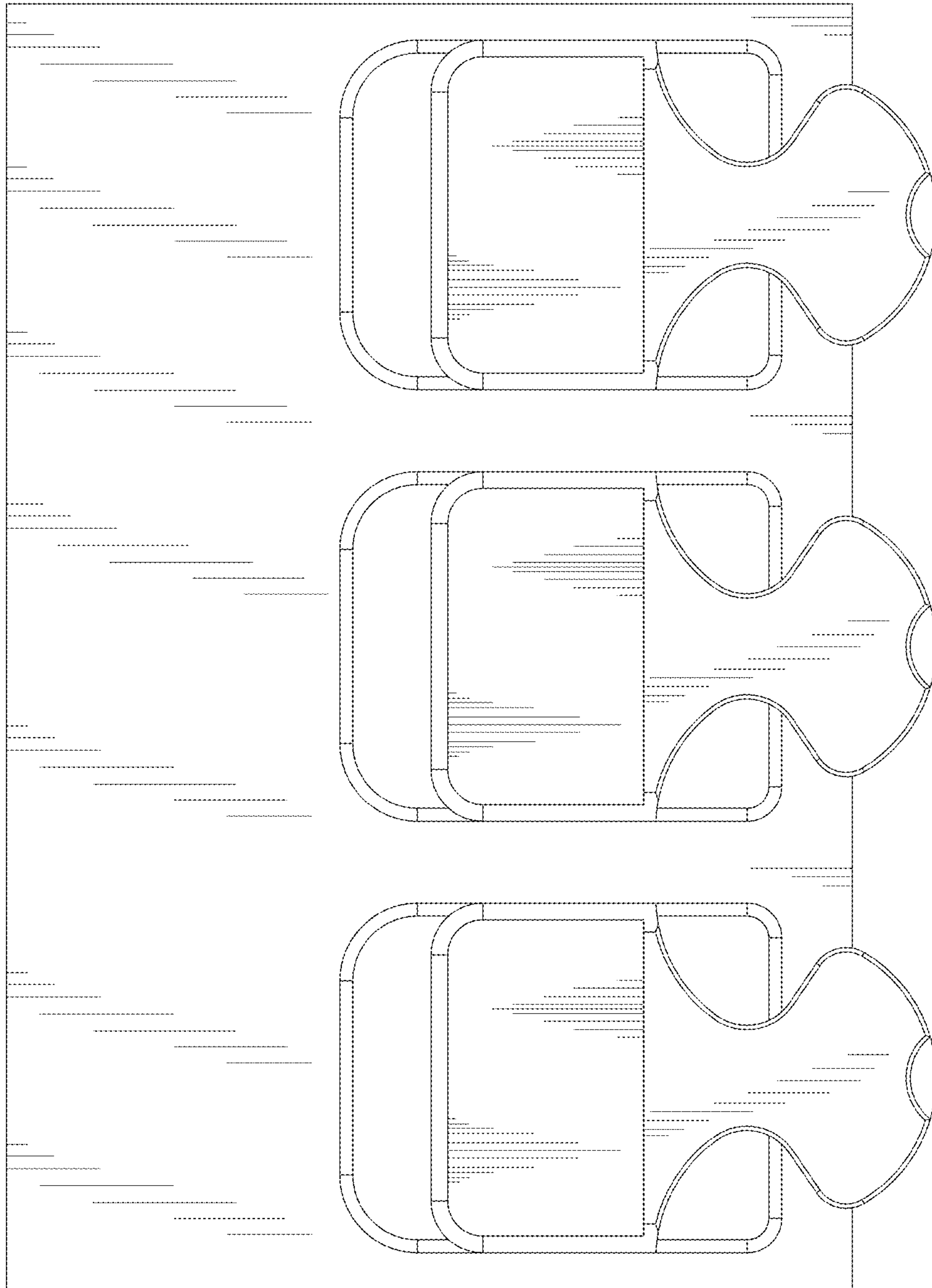


FIG. 6

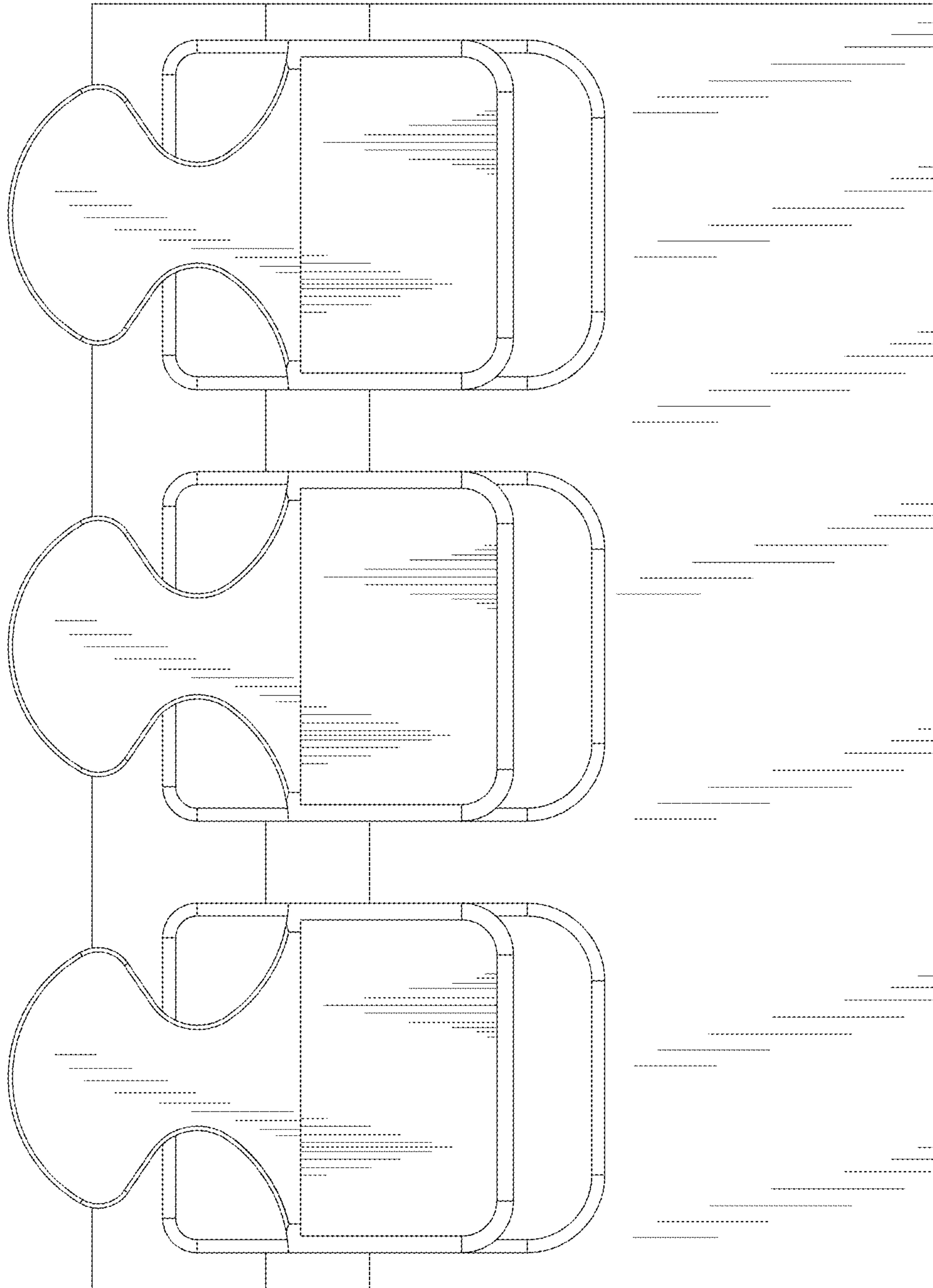


FIG. 7

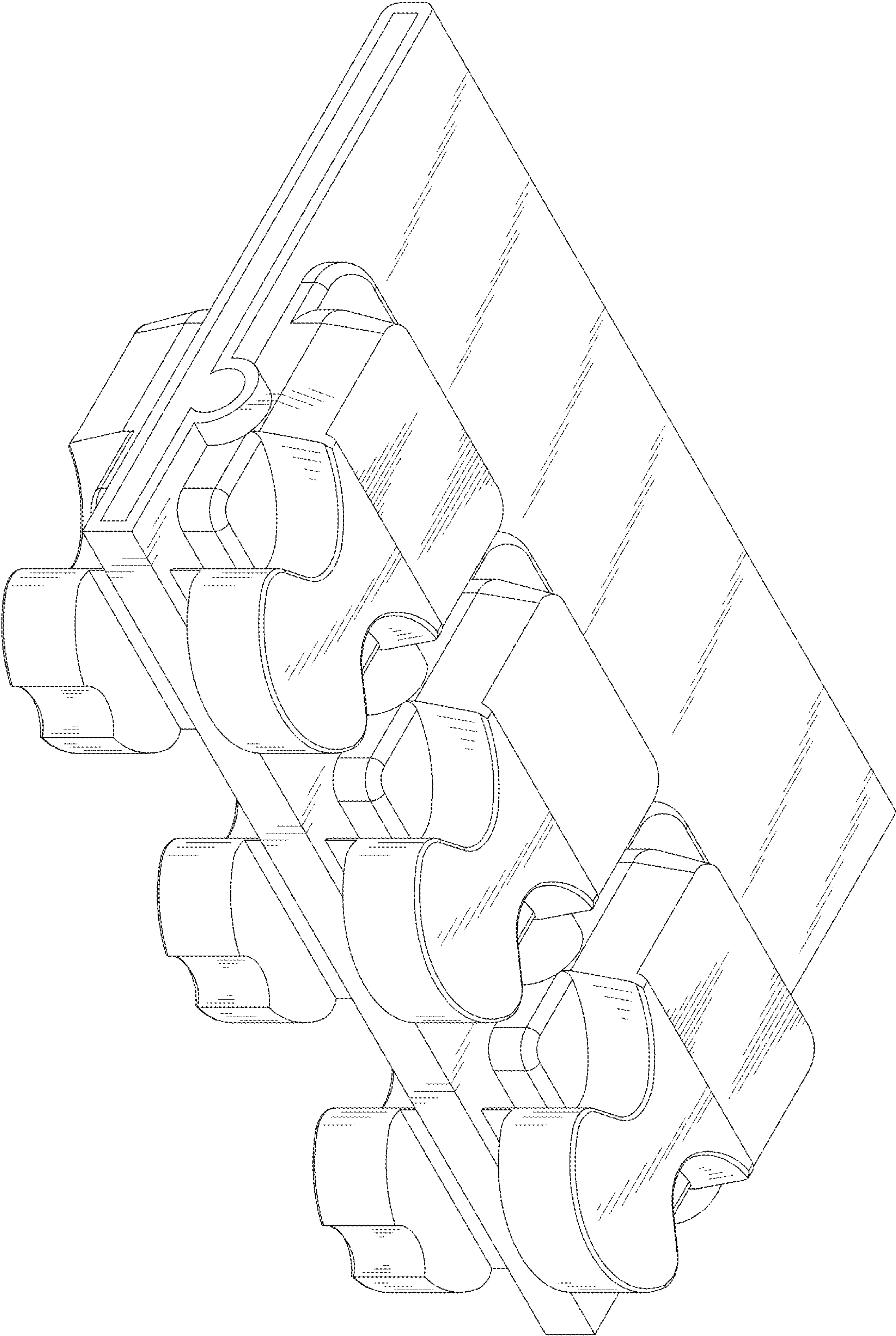


FIG. 8