



US00D893347S

(12) **United States Design Patent** (10) **Patent No.:** **US D893,347 S**
Sharp (45) **Date of Patent:** **** Aug. 18, 2020**

(54) **PORTABLE FLAG HOLDER**
(71) Applicant: **Frank Sharp**, Northlake, IL (US)
(72) Inventor: **Frank Sharp**, Northlake, IL (US)
(**) Term: **15 Years**
(21) Appl. No.: **29/678,403**
(22) Filed: **Jan. 29, 2019**
(51) **LOC (12) Cl.** **11-05**
(52) **U.S. Cl.**
USPC **D11/182**
(58) **Field of Classification Search**
USPC D11/166, 182, 183, 184; D19/77, 81,
D19/105; D22/147, 148; 248/688
CPC G09F 17/00; G09F 17/0091; G09F
2017/0008; G09F 2017/0025; G09F
2017/0041; G09F 2017/005; G09F
2017/0066; G09F 2017/0075; G09F
2017/0083
See application file for complete search history.

D688,101 S * 8/2013 Angel D7/604
D710,247 S * 8/2014 Baumgart D11/182
2009/0173850 A1* 7/2009 Houghtaling A47G 7/042
248/175
2012/0056068 A1 3/2012 Maxwell

OTHER PUBLICATIONS

Golf Figurine/Metal Folk Art/Stick Figure Man/Metal Figurine/by Gatormom13 [online], [site visited Mar. 19, 2020]. Available from internet, URL: <<https://www.etsy.com/il-en/listing/268646286/free-shipping-golf-figurinemetalfolk>> (Year: 2020).*

* cited by examiner

Primary Examiner — Cynthia Ramirez
Assistant Examiner — Xavier Marti-Santos

(57) **CLAIM**

I claim the ornamental design for a portable flag holder, as shown and described.

(56) **References Cited**

U.S. PATENT DOCUMENTS

D22,128 S * 1/1893 Holmes D11/183
D59,875 S * 11/1921 Selisnik D11/182
2,145,322 A 1/1939 Snider
D213,406 S * 2/1969 Davis D6/674.1
3,672,675 A * 6/1972 Morris, Jr. A63B 67/00
473/514
D325,890 S 5/1992 Doublet
6,015,122 A 1/2000 Qui
6,169,477 B1 1/2001 Fiato
7,380,360 B2 6/2008 Evans
D589,588 S * 3/2009 Begaye D22/147
D620,319 S * 7/2010 Alexander D7/619.2
D638,748 S * 5/2011 Fleisher D11/182

DESCRIPTION

FIG. 1 is a front view of the portable flag holder.
FIG. 2 is a rear view of the claimed design.
FIG. 3 is a left side view of the claimed design.
FIG. 4 is a right side view of the claimed design.
FIG. 5 is a top view of the claimed design.
FIG. 6 is a bottom view of the claimed design; and,
FIG. 7 is a perspective view of the claimed design showing it in use with a flag.
The broken lines appearing on FIG. 7 of a flag are environmental matter forming no part of the claimed design.

1 Claim, 5 Drawing Sheets

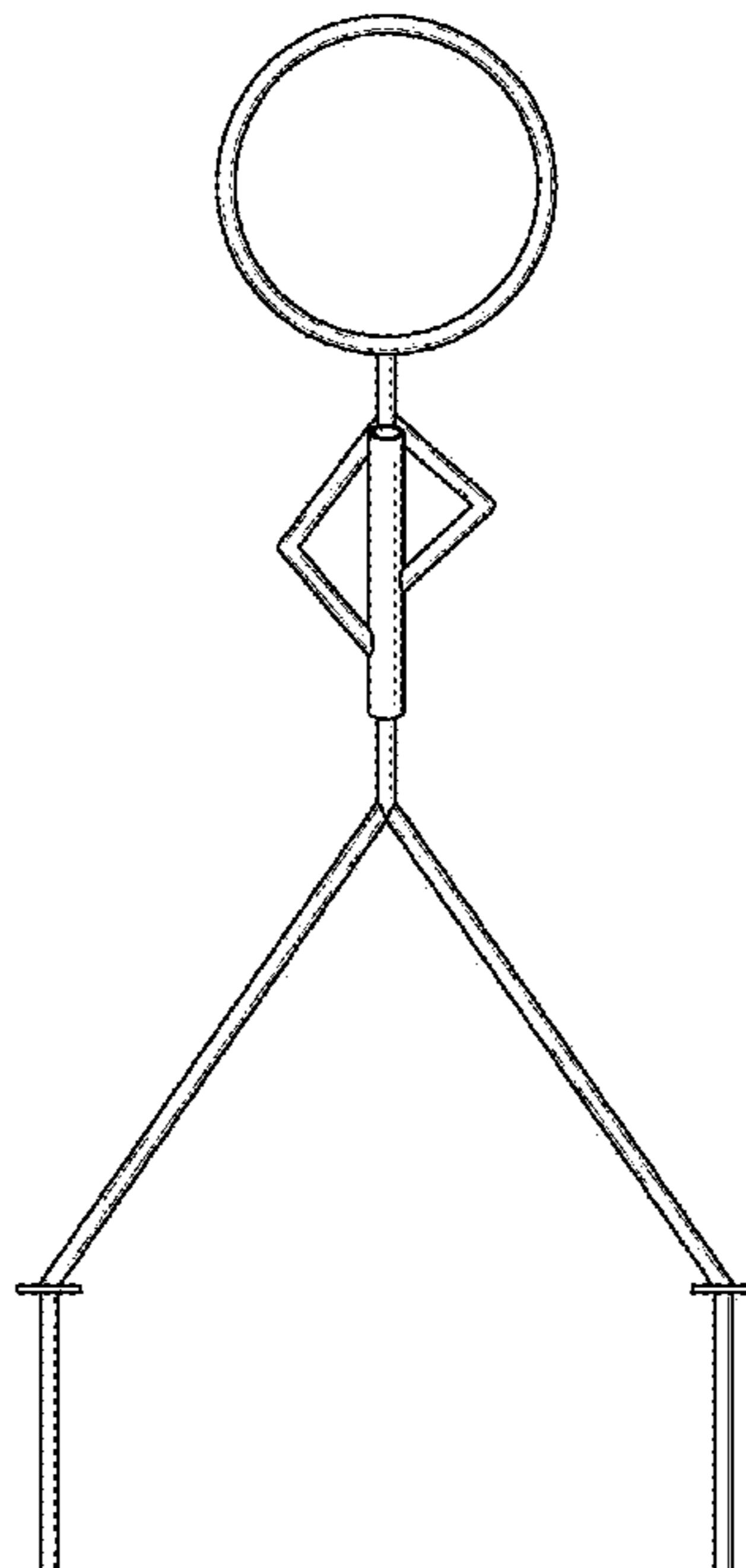


FIG. 1

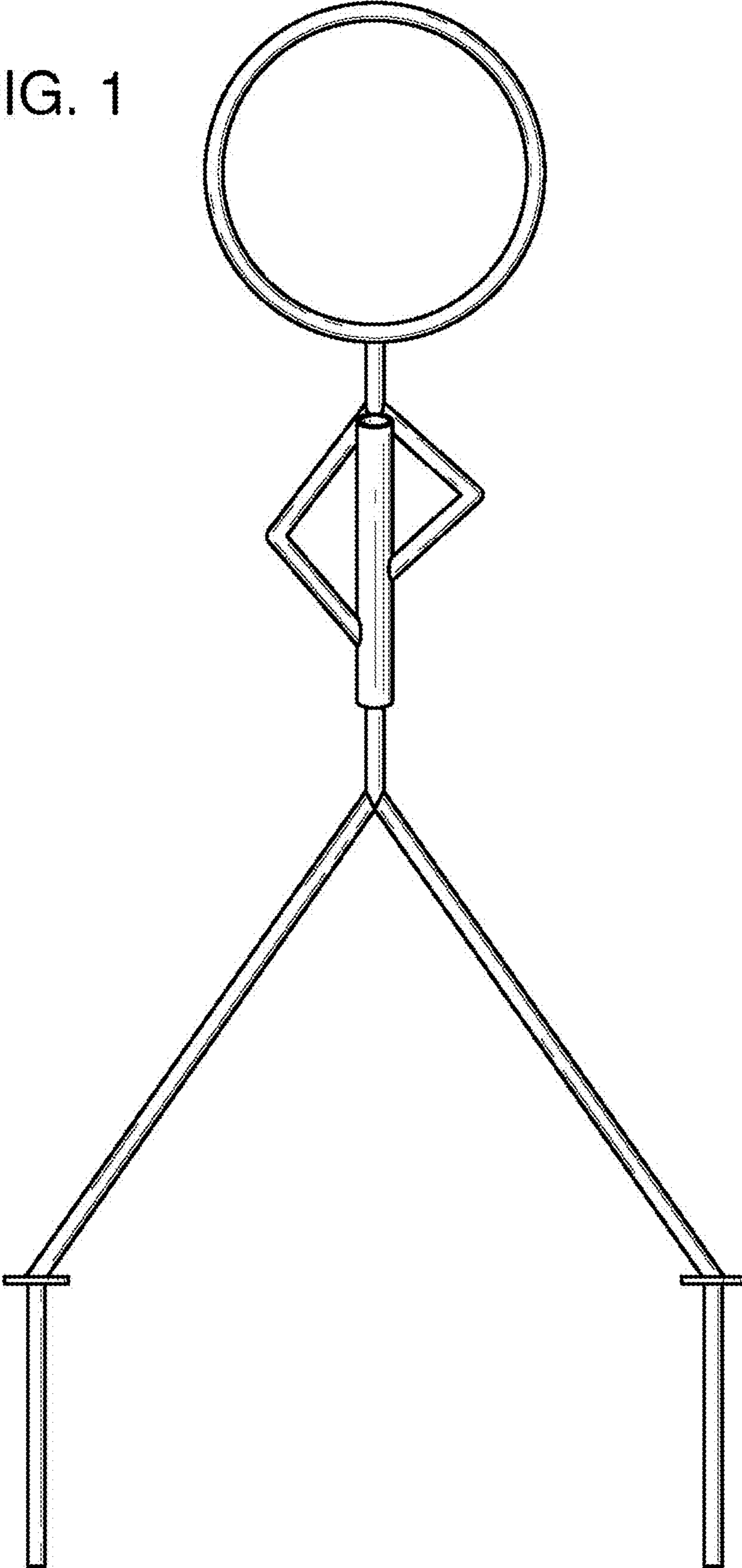


FIG. 2

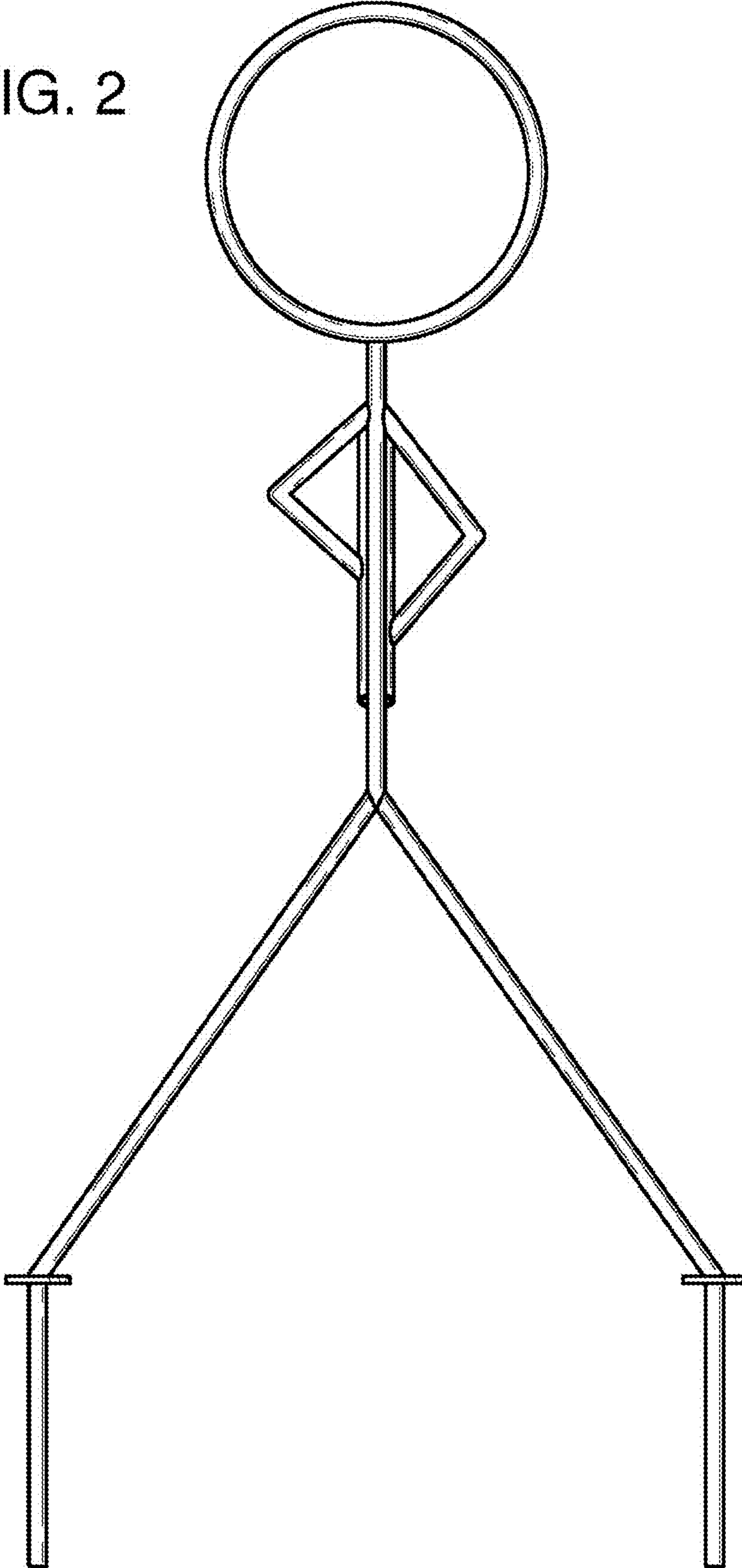


FIG. 3

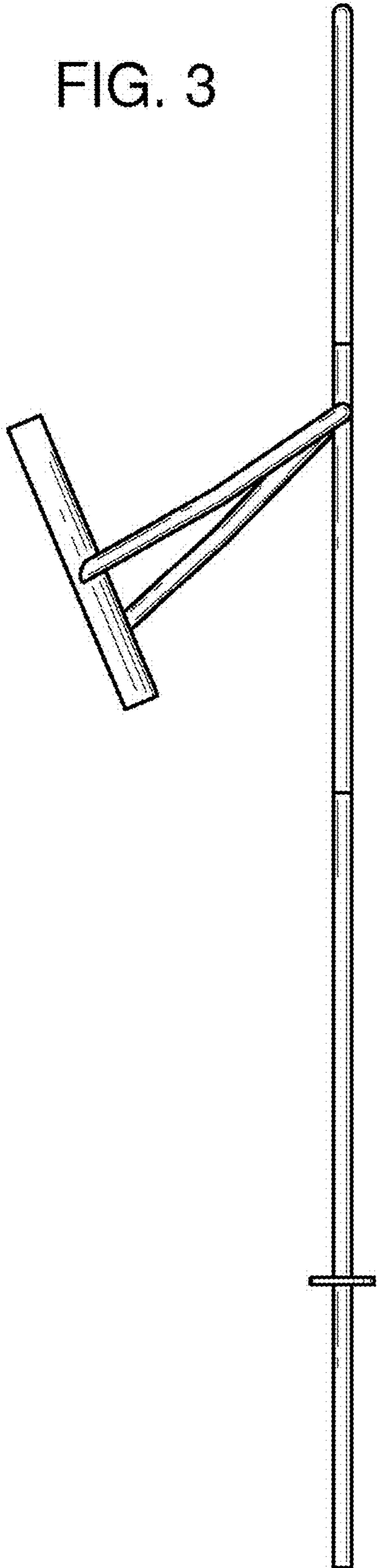


FIG. 4

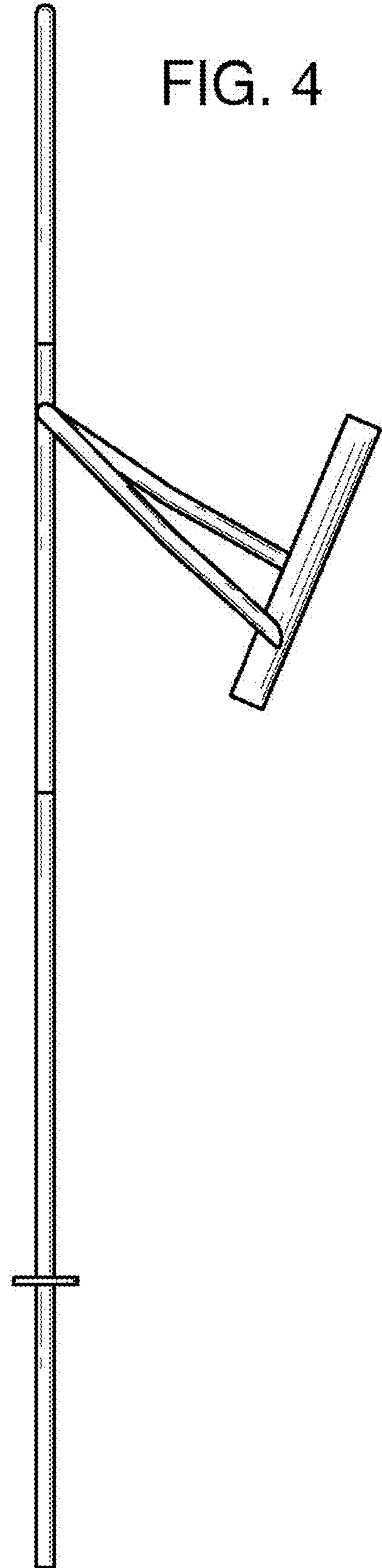


FIG. 5

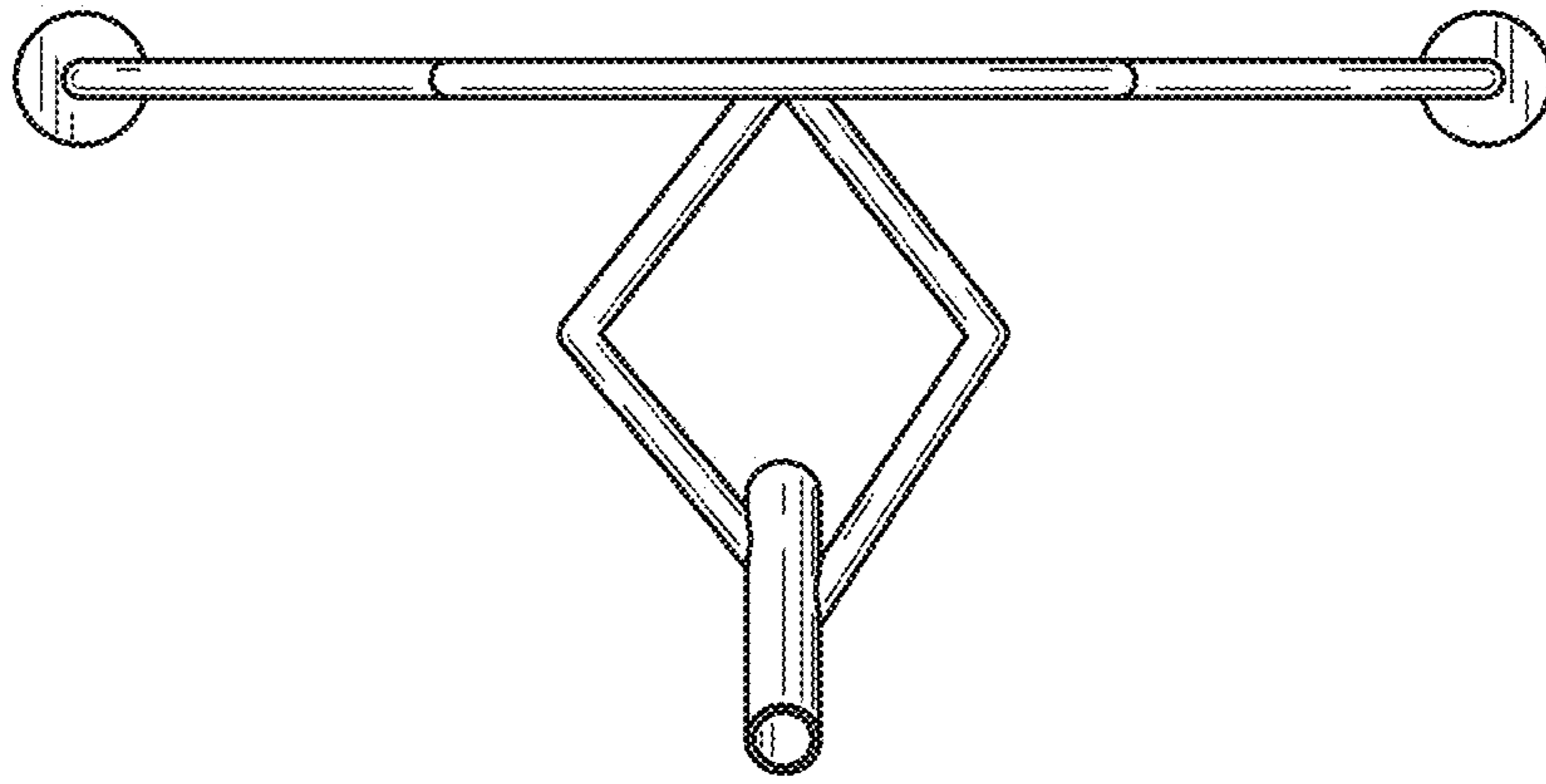
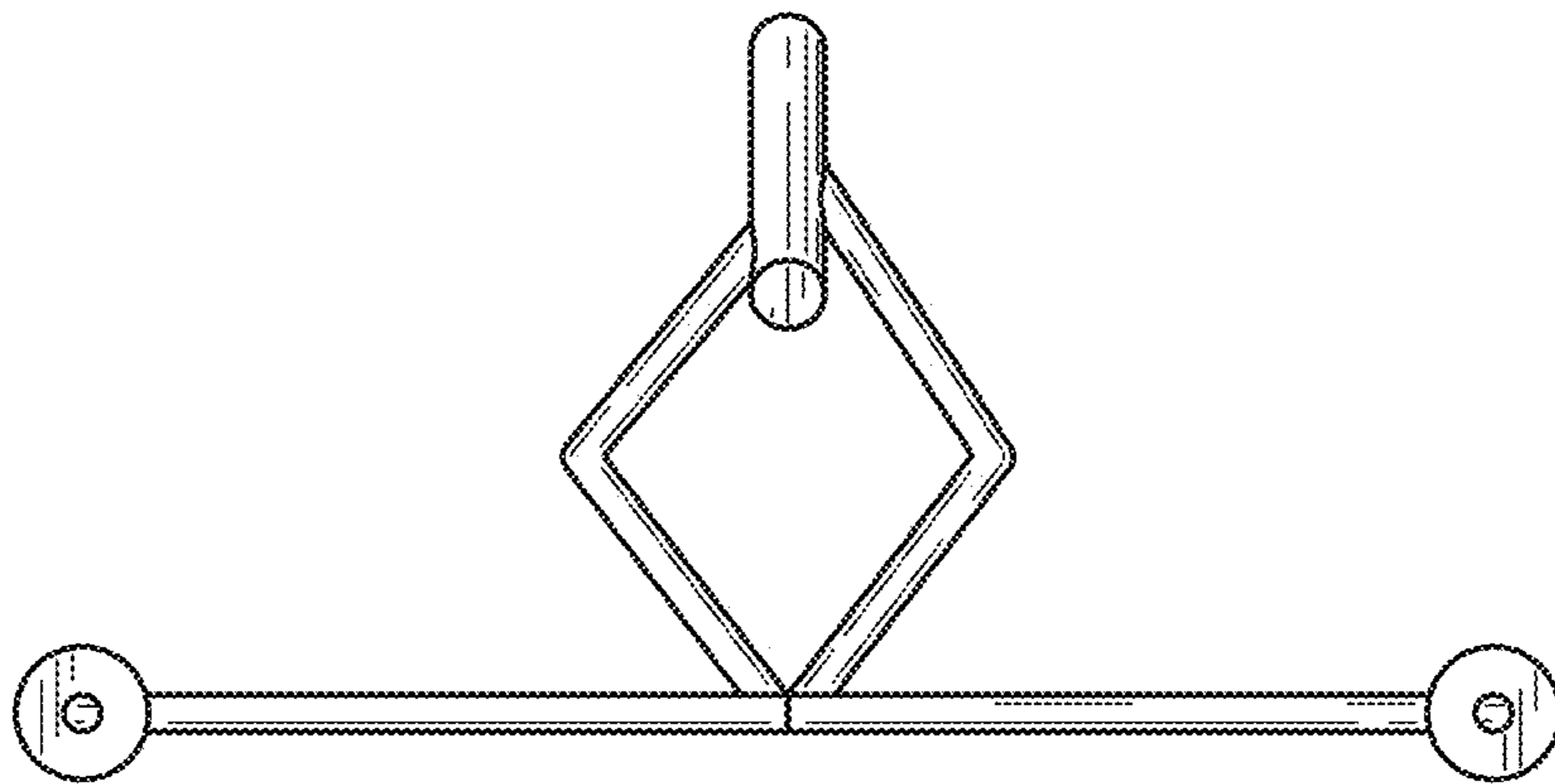


FIG. 6



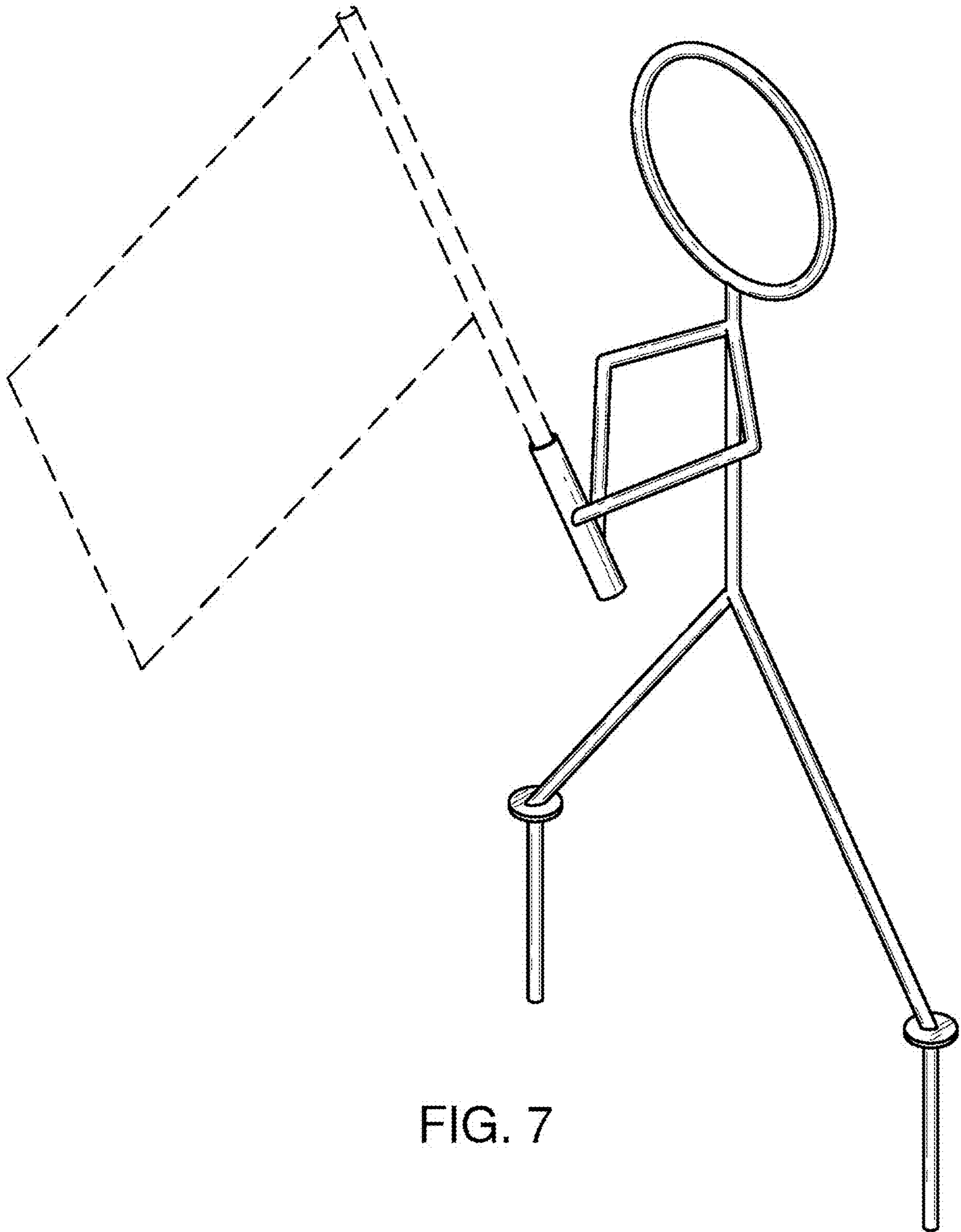


FIG. 7