



US00D893345S

(12) **United States Design Patent**
Mueller et al.

(10) **Patent No.:** **US D893,345 S**

(45) **Date of Patent:** **** Aug. 18, 2020**

- (54) **FRAME FOR FLOWER BOUQUETS**
- (71) Applicants: **Elaine Mueller**, Minooka, IL (US);
Robert Butta, Cedar Lake, IN (US)
- (72) Inventors: **Elaine Mueller**, Minooka, IL (US);
Robert Butta, Cedar Lake, IN (US)
- (**) Term: **15 Years**
- (21) Appl. No.: **29/673,791**
- (22) Filed: **Dec. 18, 2018**
- (51) **LOC (12) Cl.** **11-02**
- (52) **U.S. Cl.**
USPC **D11/146**
- (58) **Field of Classification Search**
USPC D11/143–156, 164; D3/304; D6/403,
D6/404, 405, 556, 557, 558; D7/523,
D7/602, 630; D8/356; D9/428, 500
CPC ... A47G 7/00; A47G 7/02; A47G 7/06; A47G
7/08; A01G 5/04; A01G 9/02; A01G
9/021; A01G 9/029; A01G 9/0293; A01G
9/047
See application file for complete search history.

4,844,243	A *	7/1989	Stiles	A47F 3/14 206/457
4,958,461	A *	9/1990	Aldrich	A47G 7/02 47/41.01
7,406,798	B2 *	8/2008	Barrett	A47G 7/07 47/41.01
D604,109	S *	11/2009	Madagan	A21B 3/132 D7/610
8,708,166	B1 *	4/2014	Crouch	A01G 5/04 211/181.1
D719,872	S *	12/2014	Carter	D11/154
9,629,486	B2 *	4/2017	Allan	A01G 5/04
D827,052	S *	8/2018	Flores	D21/552
D850,322	S *	6/2019	Harshman	D11/143
D862,990	S *	10/2019	Goodman	D7/602
2005/0279747	A1 *	12/2005	Madagan	A21B 3/132 220/475
2008/0016761	A1 *	1/2008	Emalfarb	A01G 9/02 47/39

(Continued)

Primary Examiner — Elizabeth A. Albert
(74) *Attorney, Agent, or Firm* — Donald Flaynik

(57) **CLAIM**

The ornamental design for a frame for flower bouquets, as shown and described.

DESCRIPTION

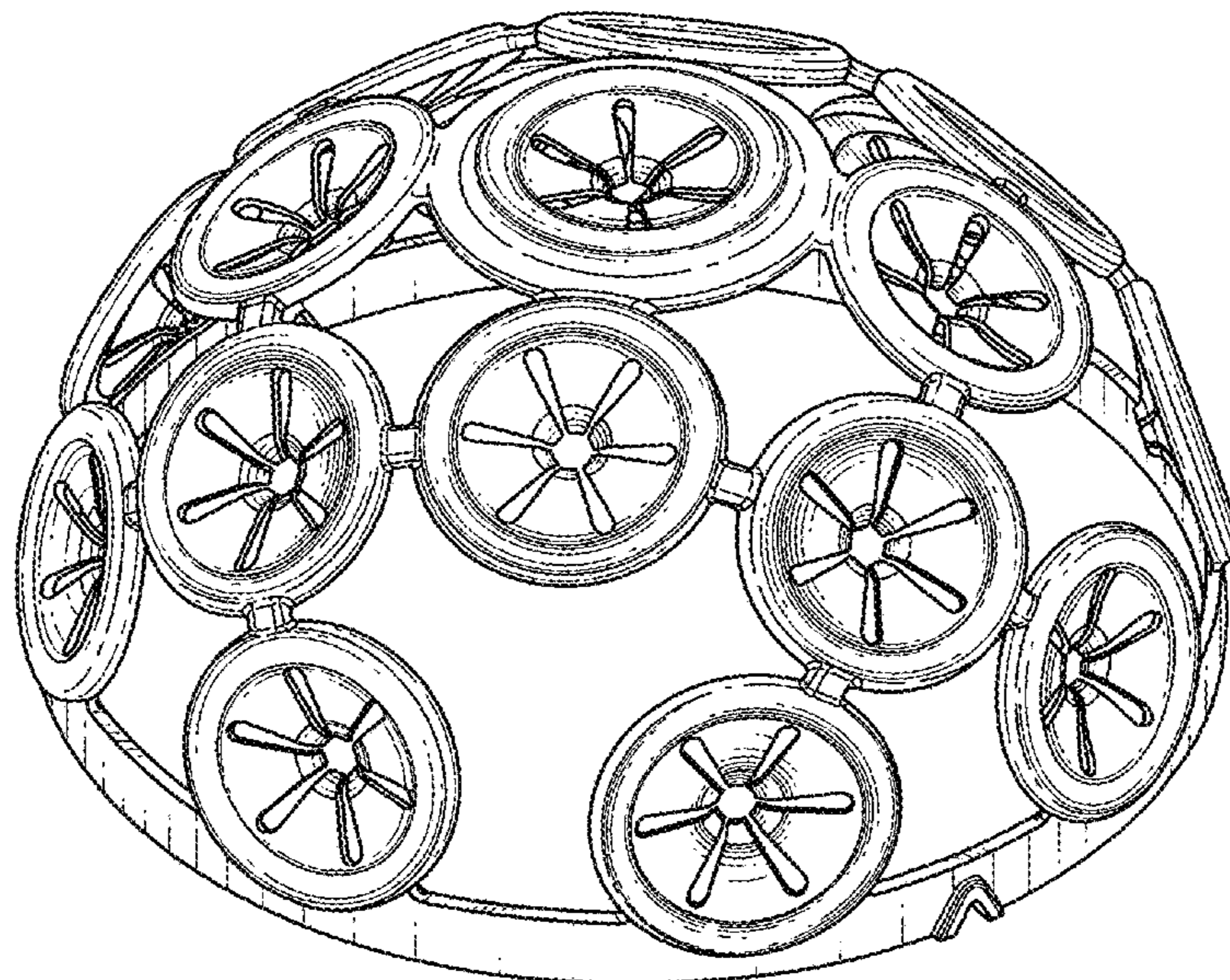
FIG. 1 is a perspective view of a frame for flower bouquets showing our new design;
FIG. 2 is a front elevation view thereof;
FIG. 3 is a top plan view of FIG. 2;
FIG. 4 is a side elevation view thereof;
FIG. 5 is a bottom plan view thereof;
FIG. 6 is a detail view of one of the holders, shown without the rest of the claimed design for convenience; and,
FIG. 7 is a detail sectional view of one of the holders taken along the lines “7-7” in FIG. 6, shown without the rest of the claimed design for convenience.

1 Claim, 6 Drawing Sheets

(56) **References Cited**

U.S. PATENT DOCUMENTS

D48,166	S *	11/1915	Bennett	D11/147
1,662,554	A *	3/1928	Woeste	F21S 10/06 359/851
D82,173	S *	9/1930	Osbrink	D11/147
1,775,250	A *	9/1930	Link	A47G 7/07 47/41.13
2,005,966	A *	6/1935	Beagle	A47G 7/07 47/41.13
3,630,811	A *	12/1971	Radus	A41G 1/00 206/423
3,768,202	A *	10/1973	Wheelock	A01G 5/04 47/41.13
D251,764	S *	5/1979	Stahel	D11/147



(56)

References Cited

U.S. PATENT DOCUMENTS

2010/0095585	A1*	4/2010	Hall	A01G 5/04
				47/41.11
2012/0023818	A1*	2/2012	Rasmussen	A01G 9/12
				47/45
2016/0242579	A1*	8/2016	Allan	A01G 5/04
2018/0220590	A1*	8/2018	Shaffer	A01G 5/04

* cited by examiner

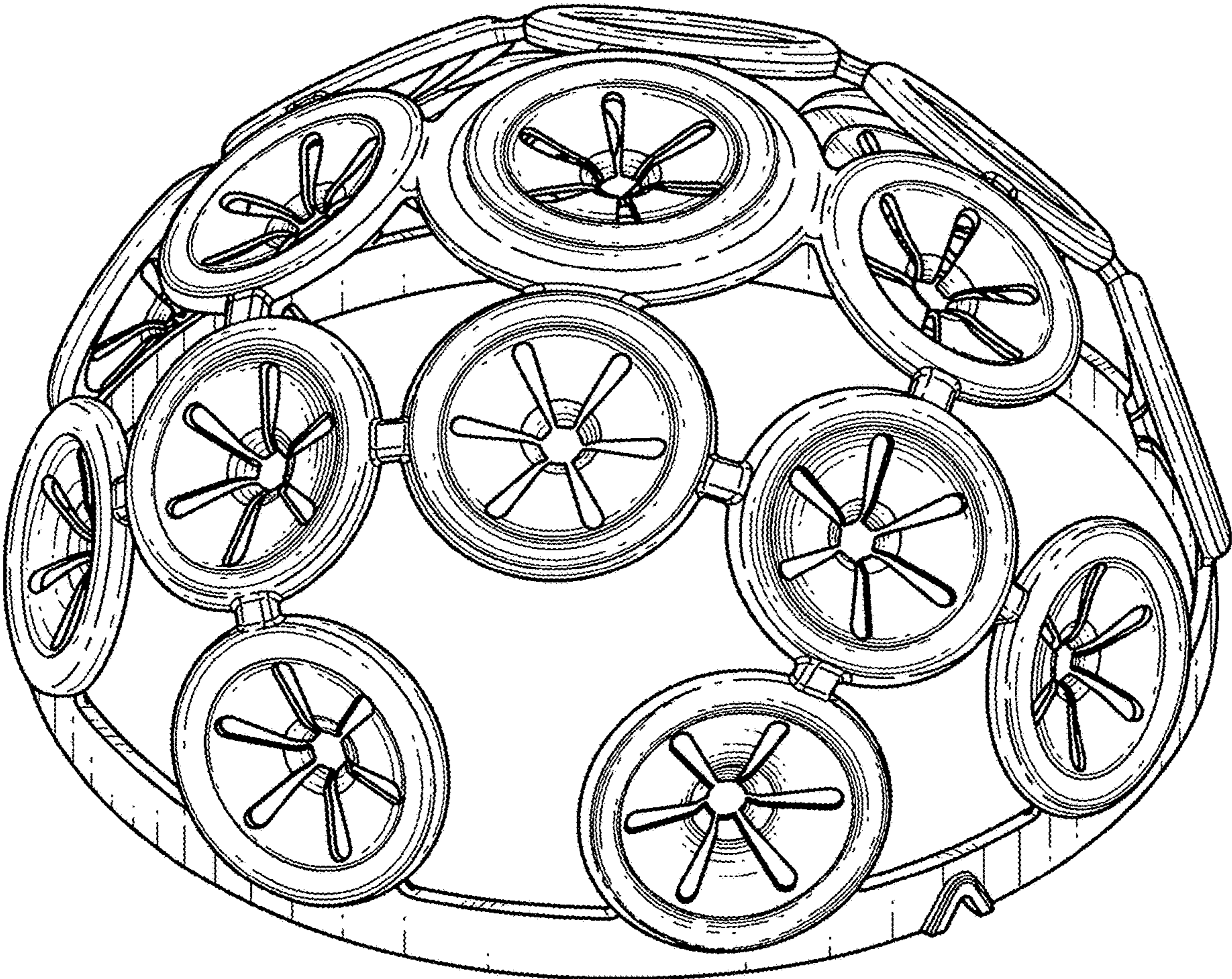


FIG. 1

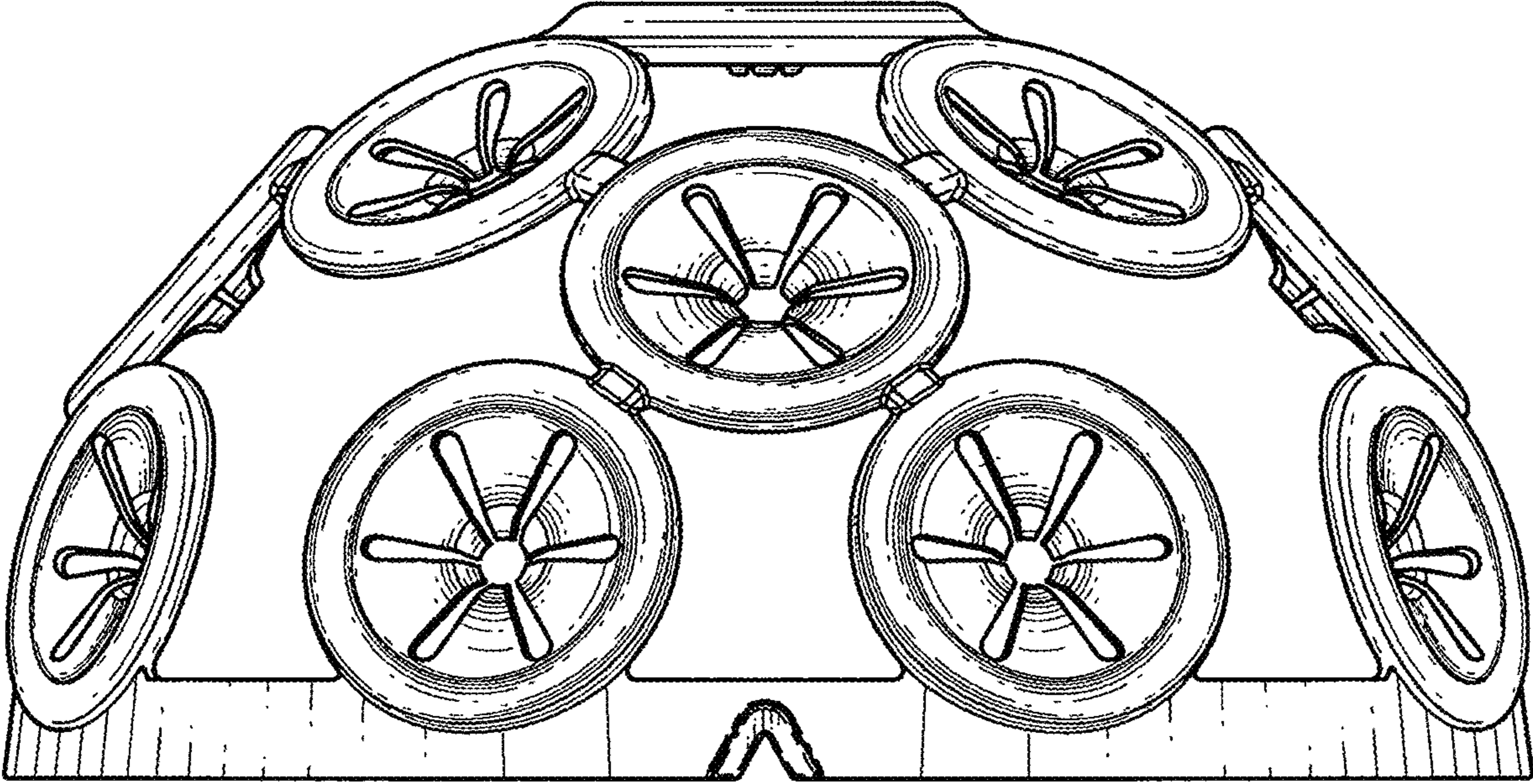


FIG. 2

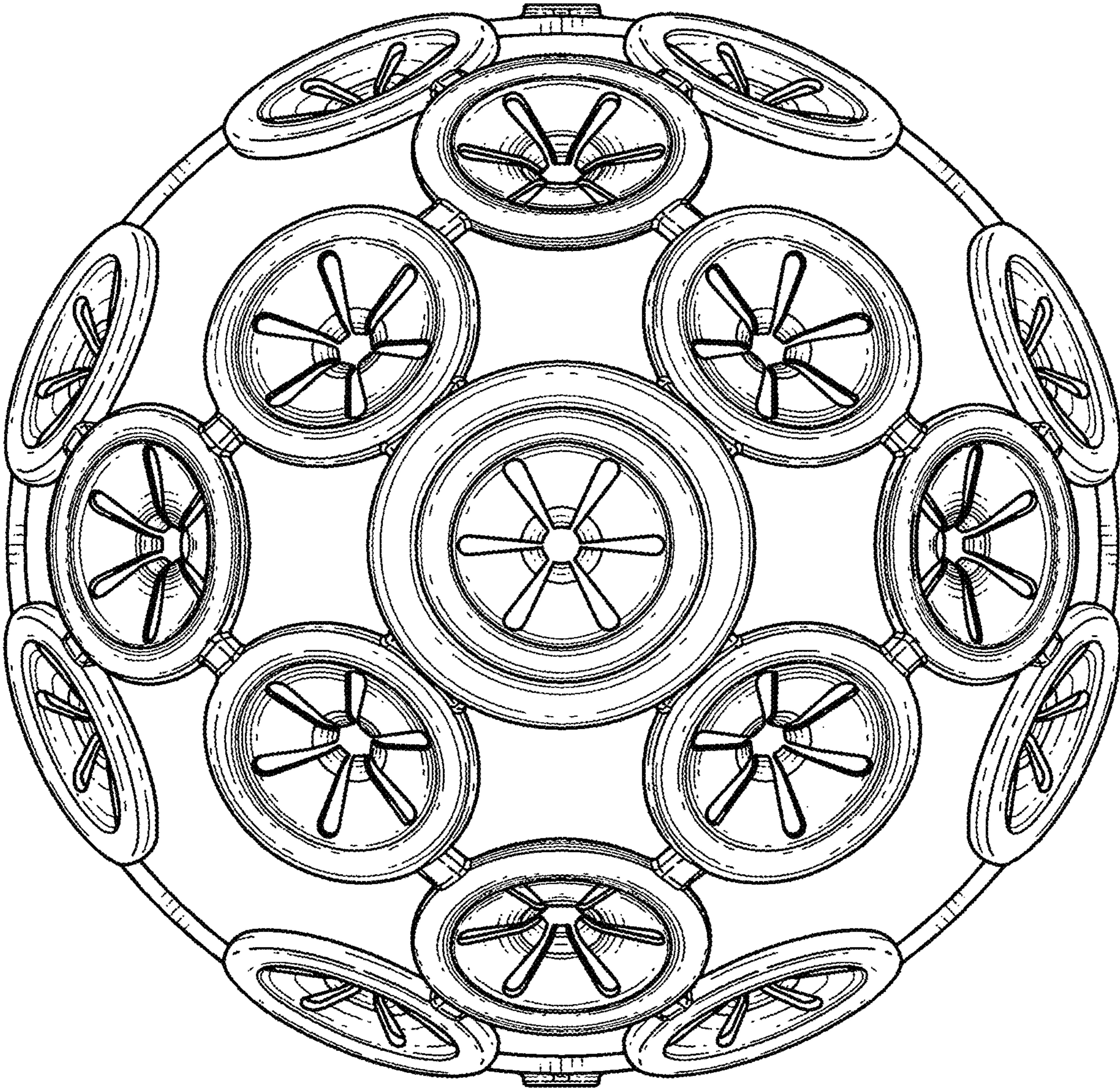


FIG. 3

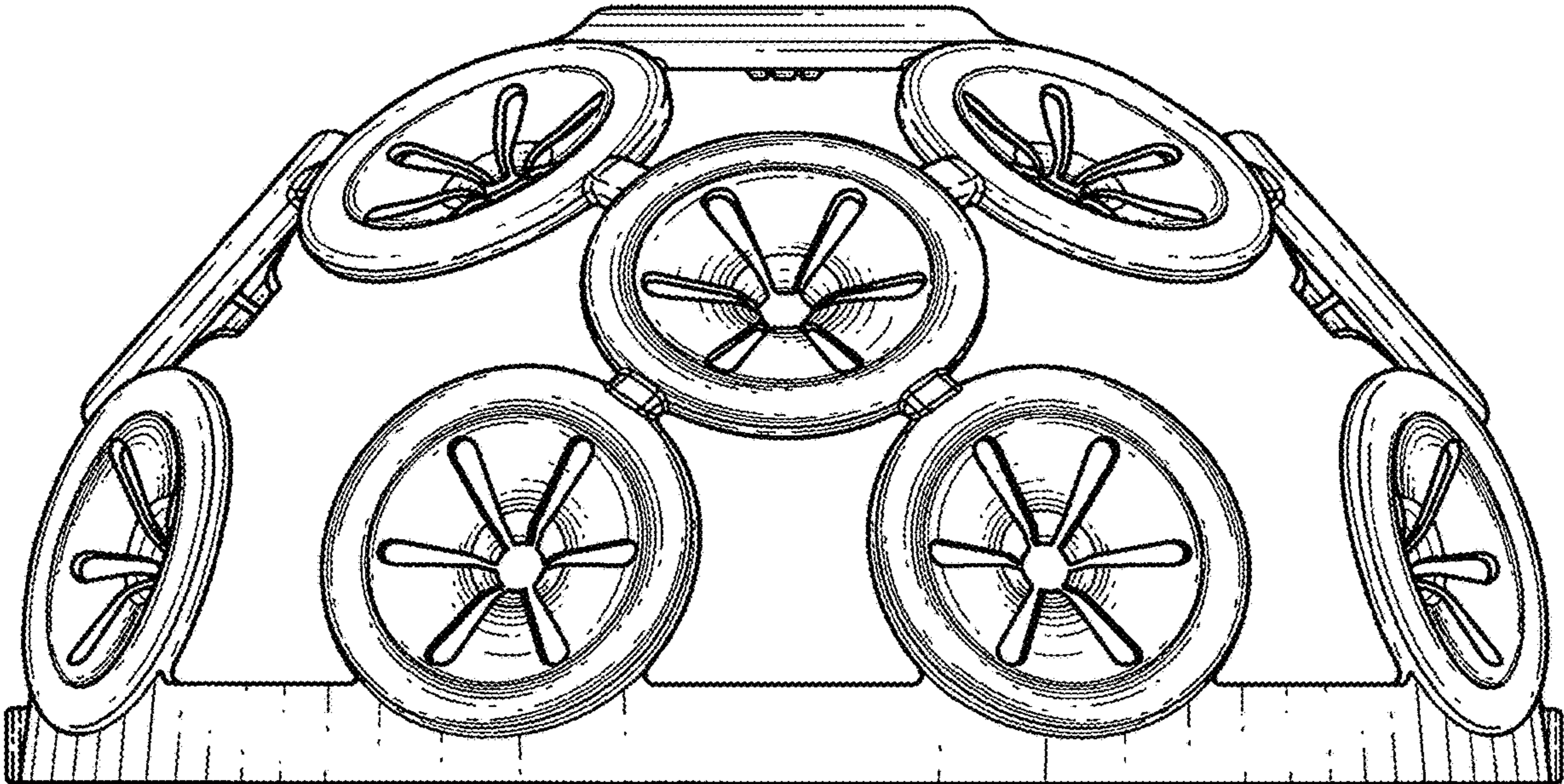


FIG. 4

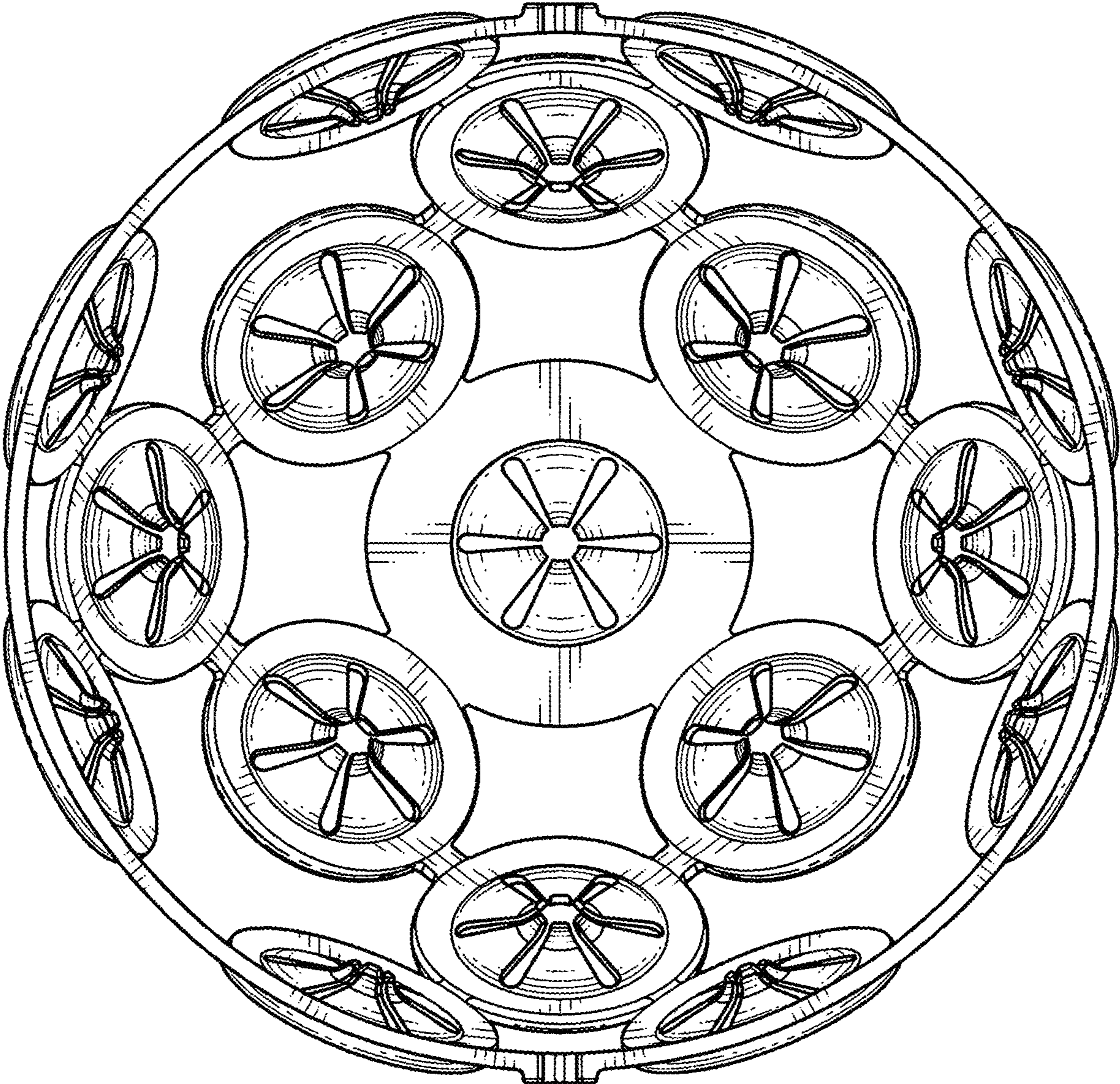


FIG. 5

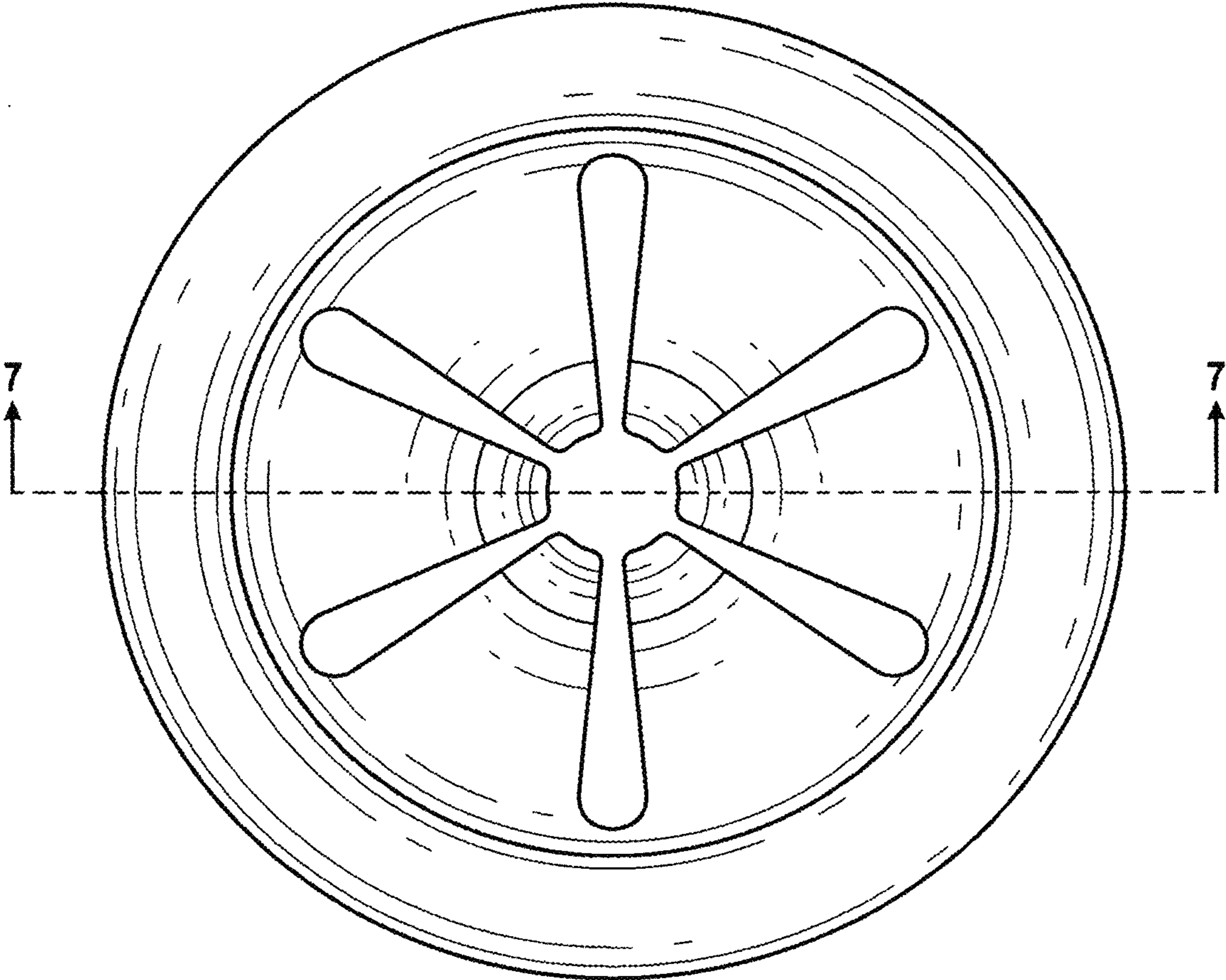


FIG. 6

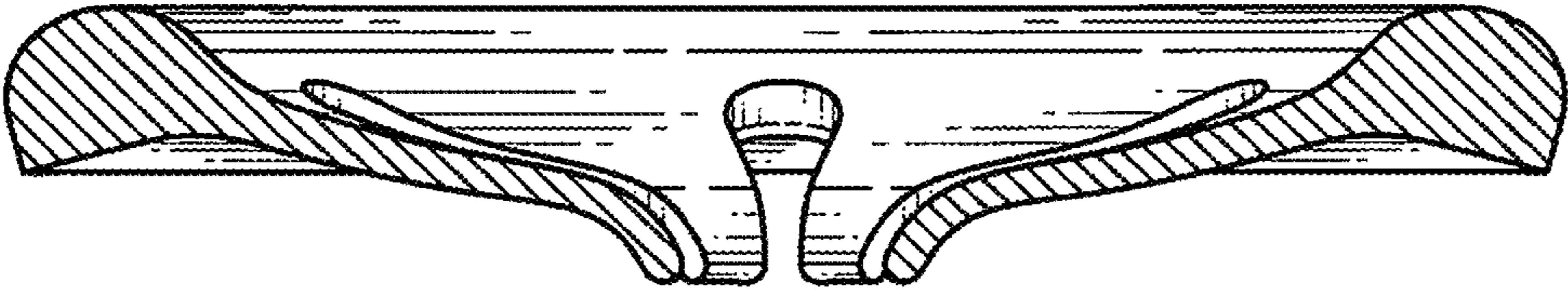


FIG. 7