



US00D893344S

(12) **United States Design Patent**
Jain et al.

(10) **Patent No.:** **US D893,344 S**

(45) **Date of Patent:** **** Aug. 18, 2020**

(54) **JEWELRY SETTING**

(71) Applicant: **FANA JEWELS, INC.**, Fort Lee, NJ
(US)

(72) Inventors: **Vikash Jain**, Fort Lee, NJ (US); **Akhil Jain**, Fort Lee, NJ (US)

(73) Assignee: **FANA JEWELS, INC.**, Fort Lee, NJ
(US)

(**) Term: **15 Years**

(21) Appl. No.: **29/659,826**

(22) Filed: **Aug. 13, 2018**

(51) **LOC (12) Cl.** **11-01**

(52) **U.S. Cl.**
USPC **D11/92**

(58) **Field of Classification Search**
USPC D11/1, 26, 34, 40, 86, 90-92
CPC A44C 17/00; A44C 17/001; A44C 17/02;
A44C 17/0208; A44C 17/0241; A44C
17/0258; A44C 17/0283; A44C 17/04;
A44C 1/00; A44C 25/001; A44C 7/00;
A44C 7/001; A44C 9/00

See application file for complete search history.

(56) **References Cited**

U.S. PATENT DOCUMENTS

D37,576 S * 10/1905 Wodiska D11/92
D125,583 S * 3/1941 Granat D11/92
D260,862 S * 9/1981 Linzer D11/92
D265,641 S * 8/1982 Bongiorno D11/92
6,260,384 B1 * 7/2001 Mino A44C 17/02
63/26

D453,121 S * 1/2002 Bowman D11/91
D519,877 S * 5/2006 Schumacher D11/92
D542,698 S * 5/2007 Schumacher D11/92
D726,068 S * 4/2015 Minister D11/92
D755,073 S * 5/2016 Rosenberg-Pineau D11/91
2005/0115274 A1 * 6/2005 Douglas A44C 17/02
63/27
2009/0193848 A1 * 8/2009 Hsu A44C 9/00
63/15
2019/0298013 A1 * 10/2019 Setton A44C 17/02

* cited by examiner

Primary Examiner — Llorellys Martinez

(74) *Attorney, Agent, or Firm* — Gottlieb, Rackman & Reisman, P.C.

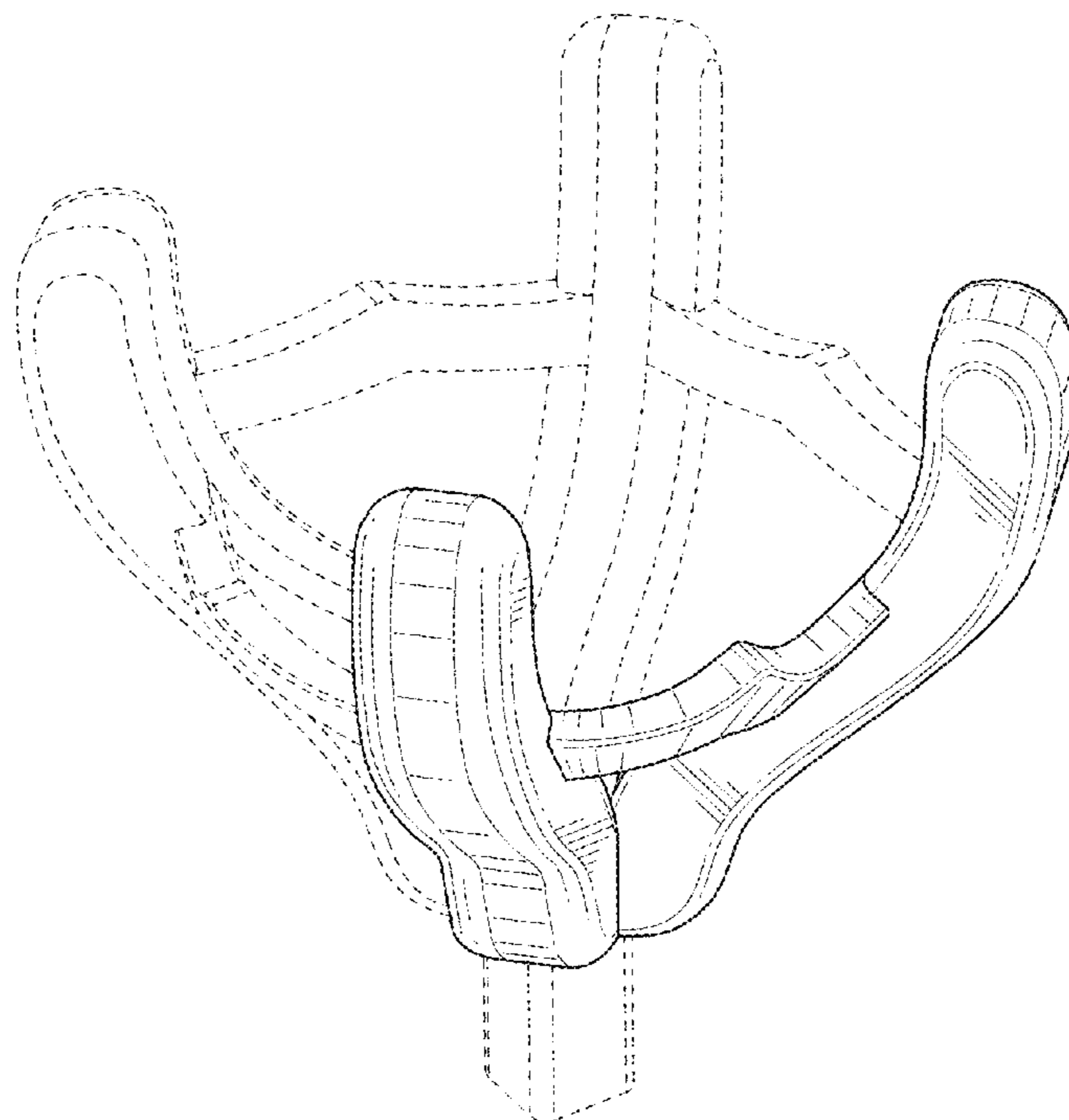
(57) **CLAIM**

The ornamental design for a jewelry setting, as shown and described.

DESCRIPTION

FIG. 1 is a front perspective view of a jewelry setting showing our new design;
FIG. 2 is a rear perspective view thereof;
FIG. 3 is a front elevational view thereof;
FIG. 4 is a side elevational view thereof;
FIG. 5 is a top plan view thereof;
FIG. 6 is a bottom plan view thereof; and,
FIG. 7 is a second perspective view thereof.
The dash-dash lines in the drawings illustrate portions of the jewelry setting that form no part of the claimed design. The dash-dot-dash lines in FIG. 4 illustrate a claim boundary and forms no part of the claimed design.

1 Claim, 7 Drawing Sheets



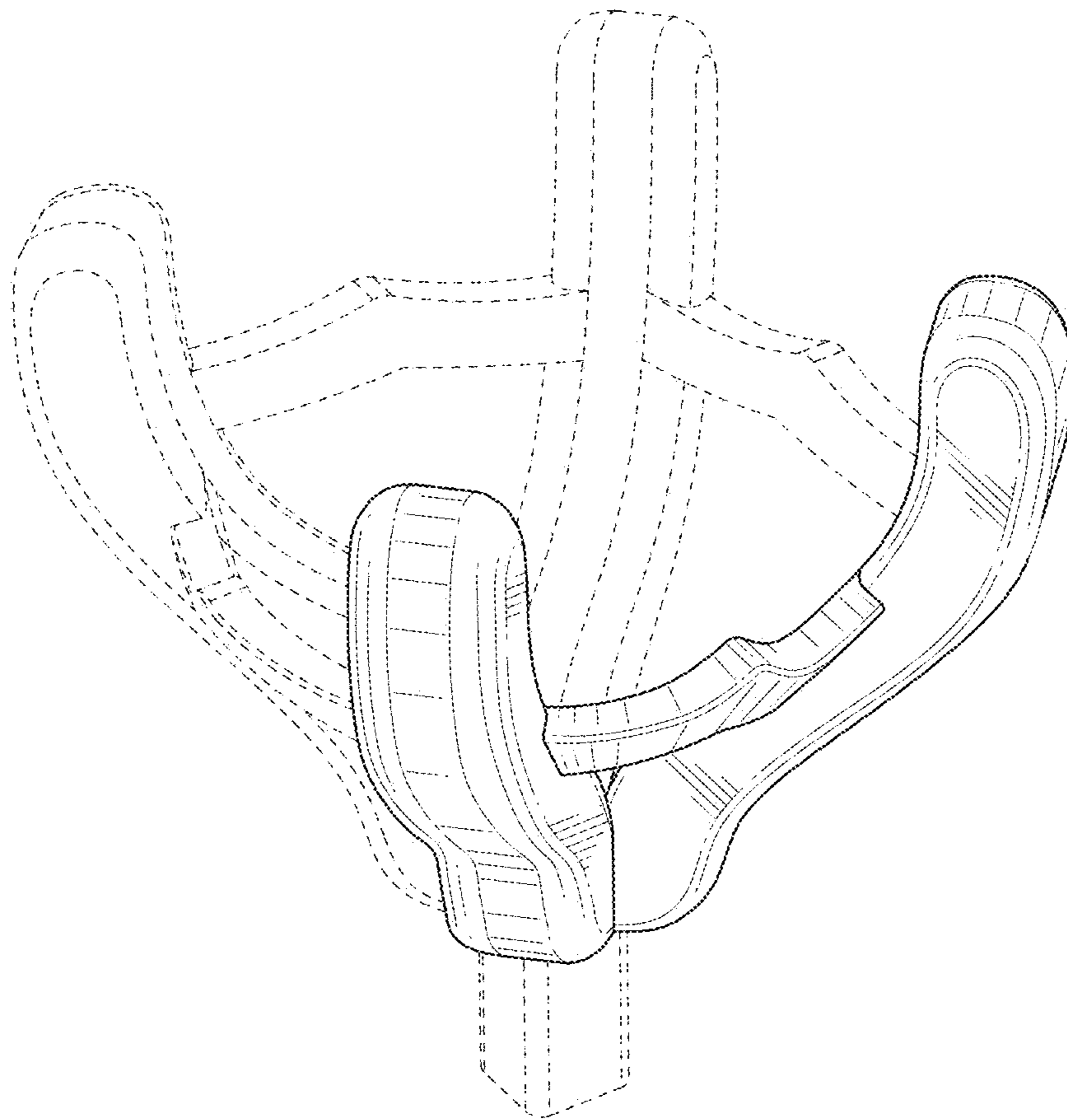


FIG. 1

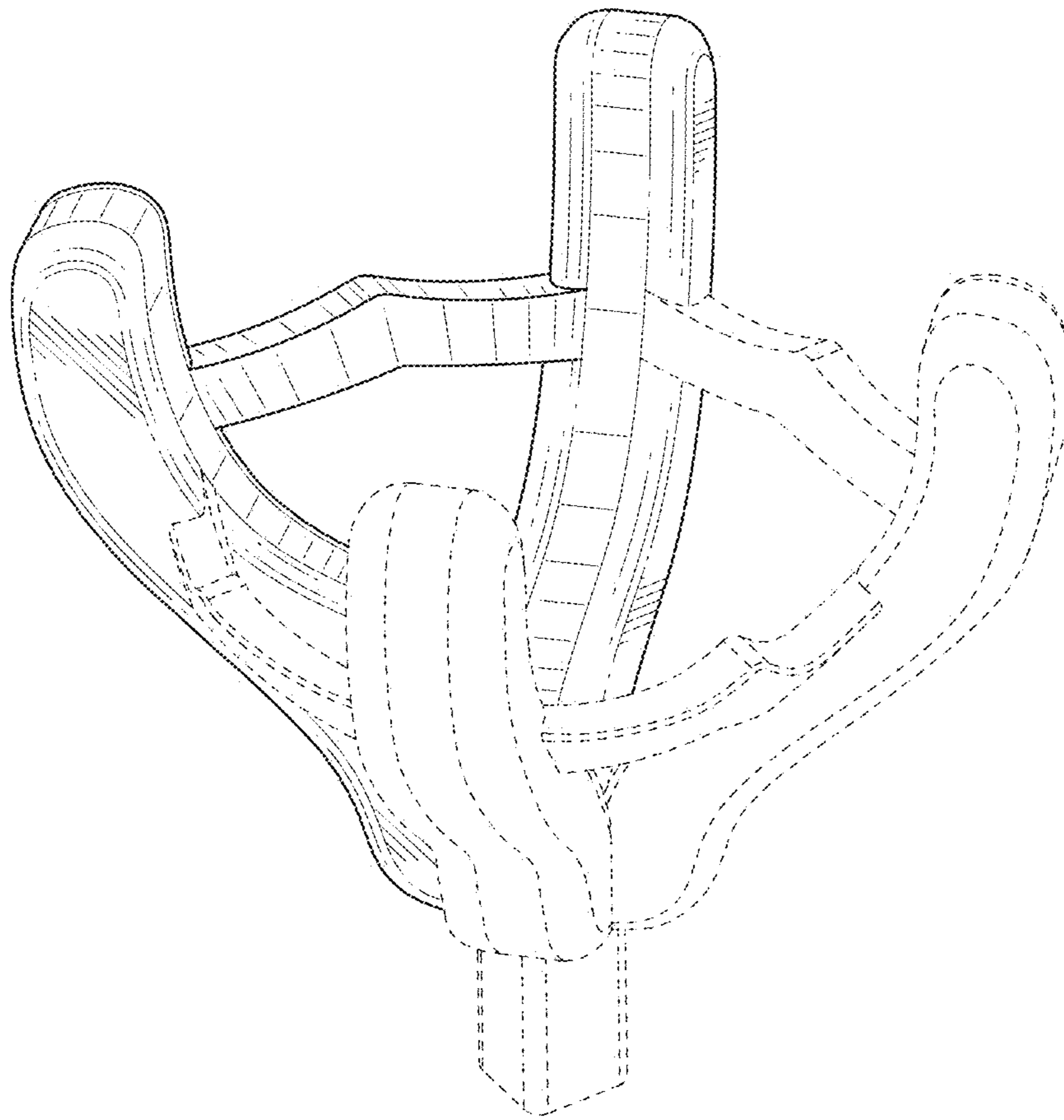


FIG. 2

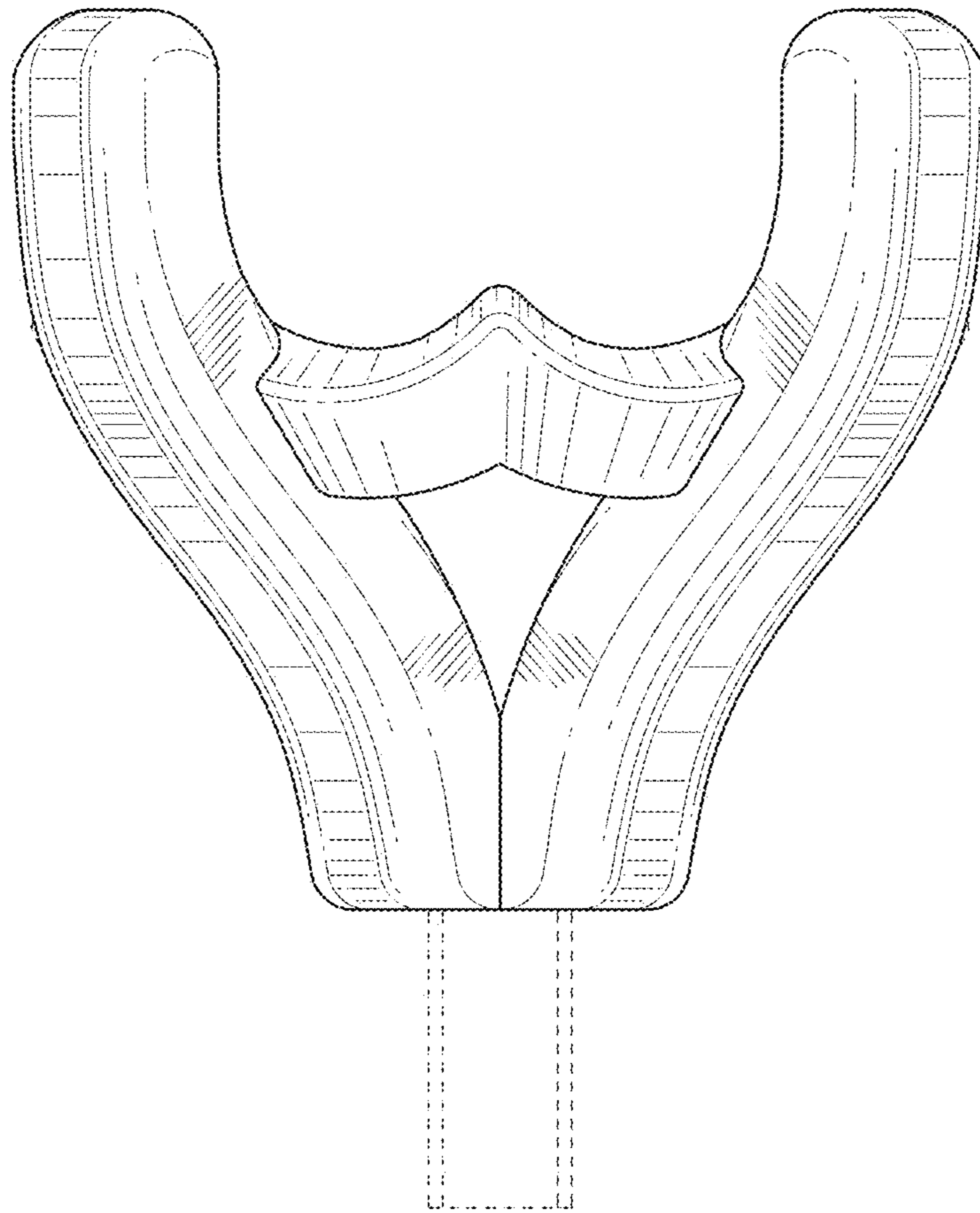


FIG. 3

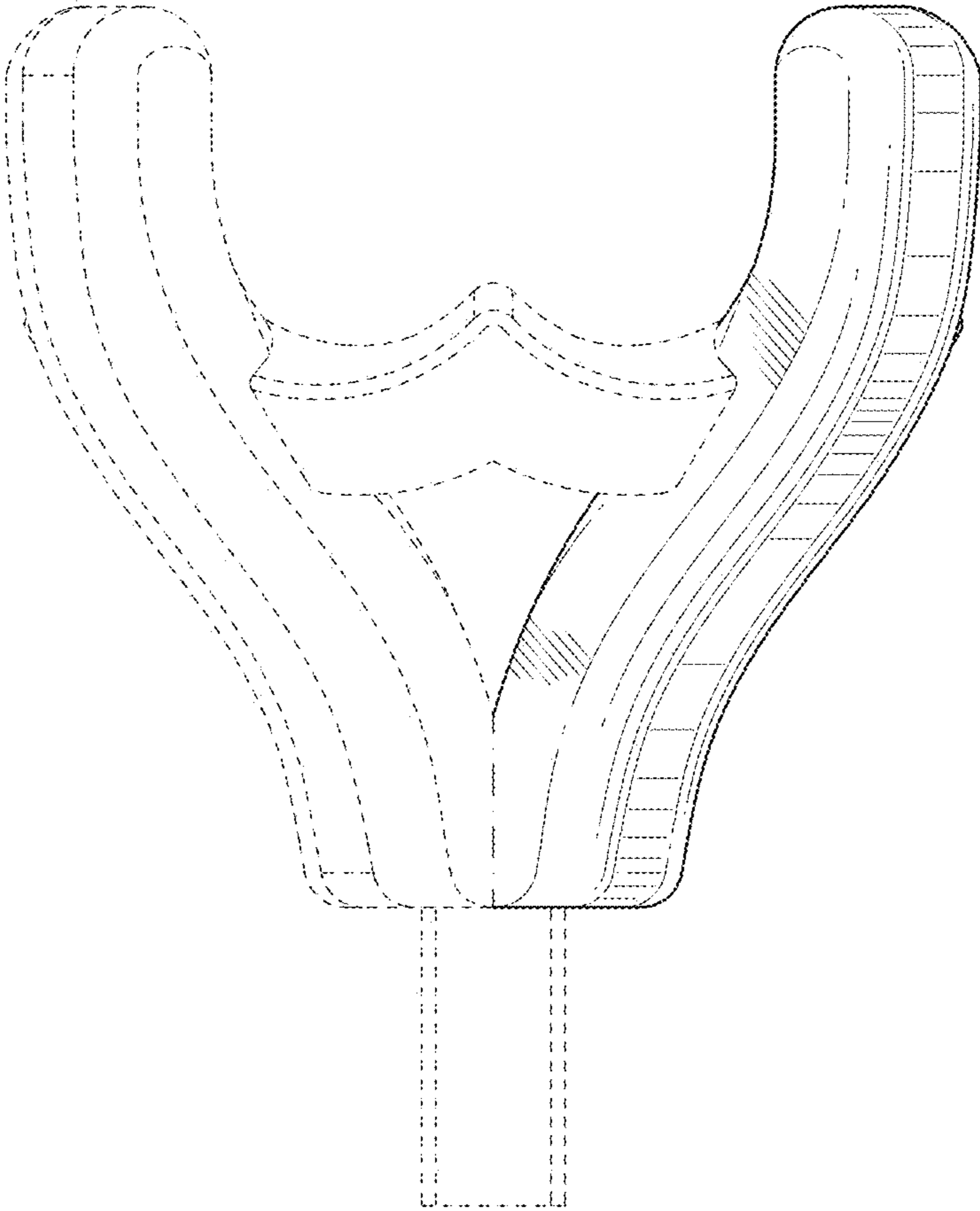


FIG. 4

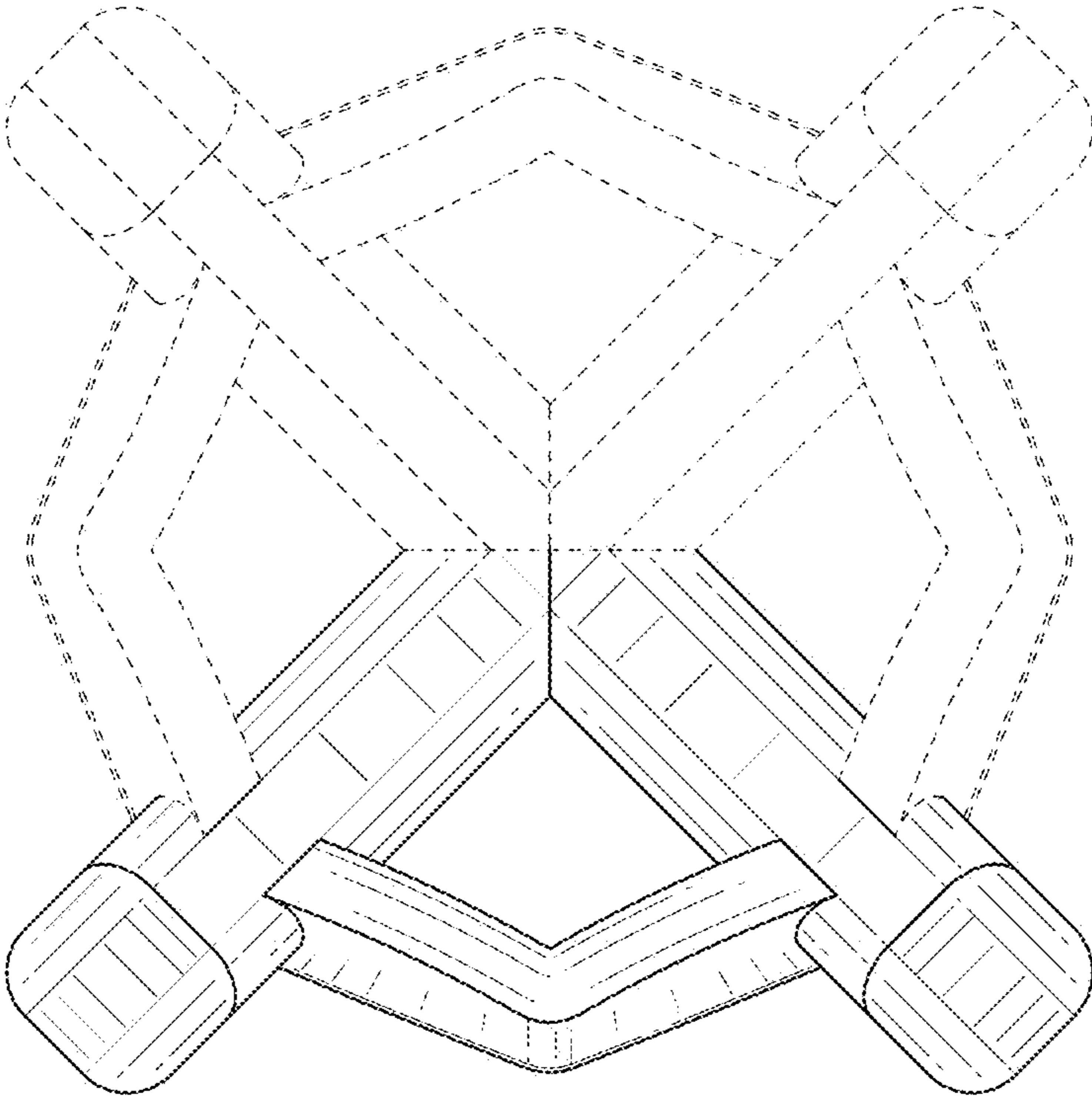


FIG. 5

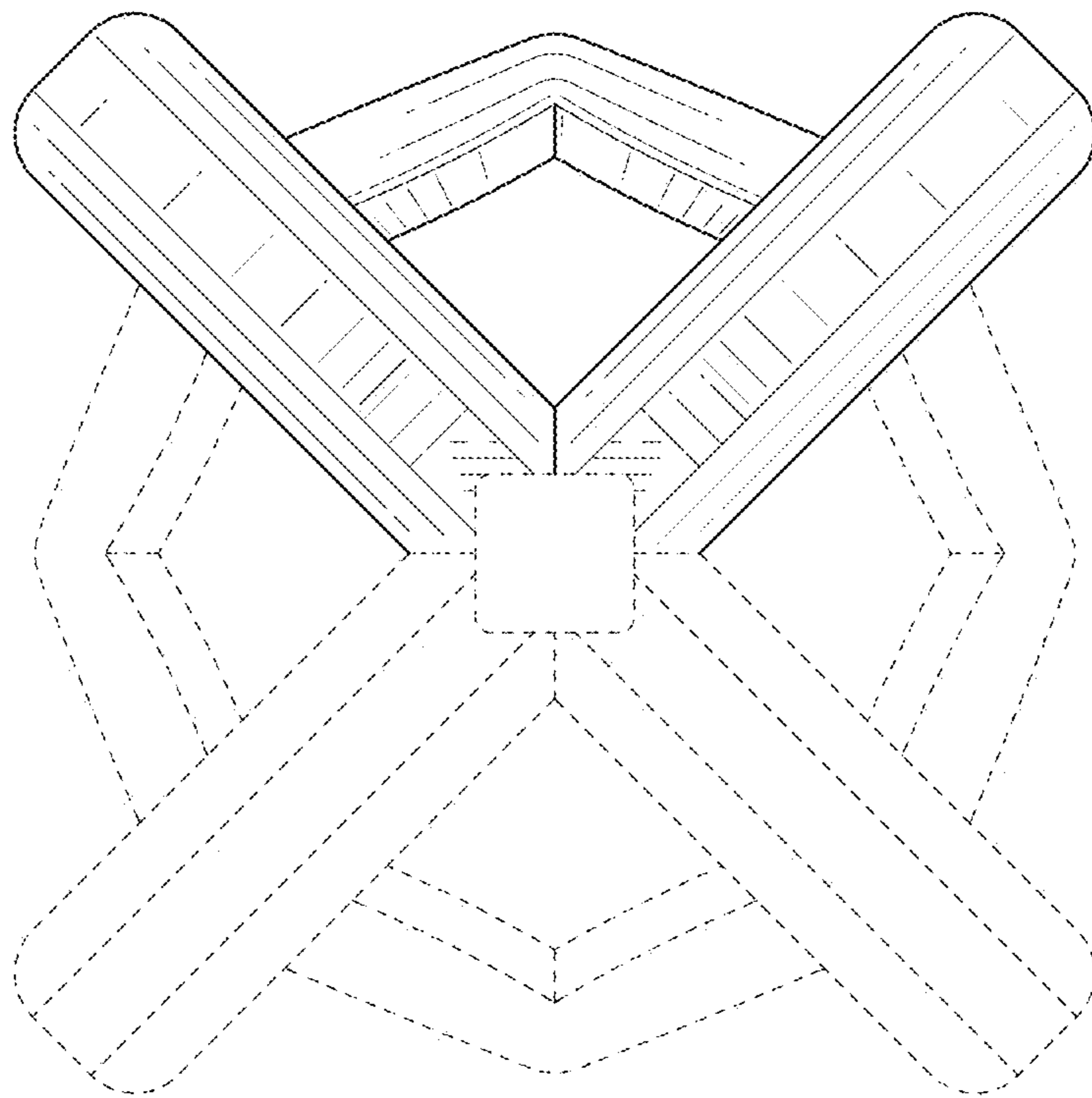


FIG.6

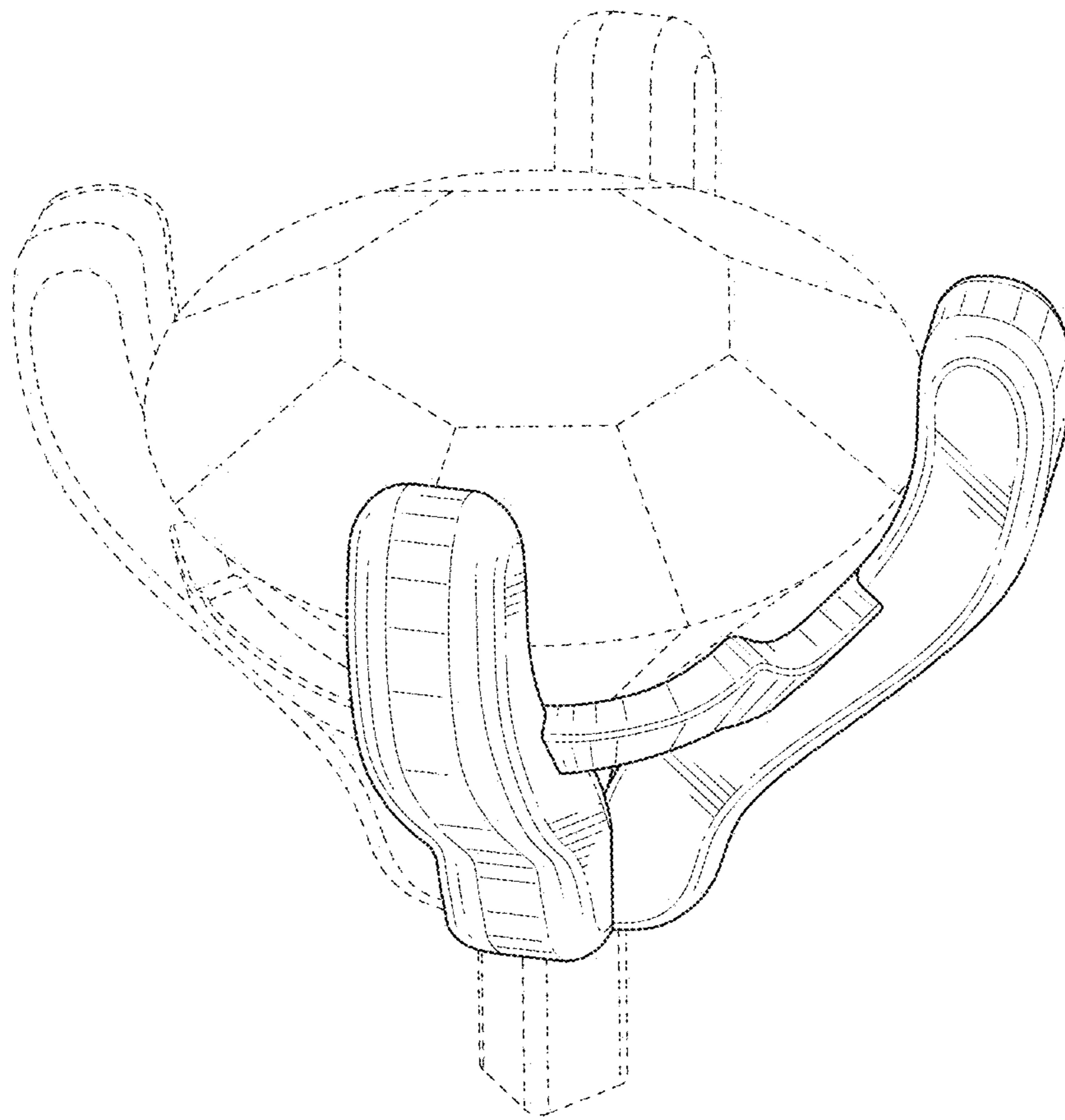


FIG. 7