

US00D893343S

(12) **United States Design Patent** (10) **Patent No.:** **US D893,343 S**
Boozer et al. (45) **Date of Patent:** **** Aug. 18, 2020**

(54) **GEMSTONE**
(71) Applicants: **Brad Boozer**, Waco, TX (US); **Betsy Latham**, Waco, TX (US)
(72) Inventors: **Brad Boozer**, Waco, TX (US); **Betsy Latham**, Waco, TX (US)
(**) Term: **15 Years**
(21) Appl. No.: **29/689,544**
(22) Filed: **Apr. 30, 2019**
(51) **LOC (12) Cl.** **11-01**
(52) **U.S. Cl.**
USPC **D11/90**
(58) **Field of Classification Search**
USPC D11/1, 2, 16, 26-29, 34, 35, 36, 70,
D11/89-92, 108; D26/154
CPC A44C 17/00; A44C 17/001; A44C 17/002;
A44C 17/003; A44C 17/005; A44C
17/006; A44C 17/007; A44C 17/008
See application file for complete search history.

D603,745 S * 11/2009 Swarovski D11/89
D646,602 S * 10/2011 Siebenberg D11/89
D730,234 S * 5/2015 Miao D11/89
2007/0006616 A1* 1/2007 Riemer A44C 17/001
63/32
2019/0021459 A1* 1/2019 Lin A44C 17/04

OTHER PUBLICATIONS

Beginner Shield, Michiko Huynh, Jan. 2010, [online], [site visited Jun. 5, 2020]. <https://www.gemologyproject.com/wiki/images/a/a1/SHIELD~1.pdf> (Year: 2010).*
John Dyer_Precious Gemstones, no date available, [online], site visited Jun. 5, 2020]. Retrieved from url:https://www.johndyergems.com/catalog_pages/gemstone-Sapphire6175.html (Year: 2020).*

* cited by examiner

Primary Examiner — Michelle E. Wilson
Assistant Examiner — Tracey J Bell
(74) *Attorney, Agent, or Firm* — Douglas Baldwin

(57) **CLAIM**

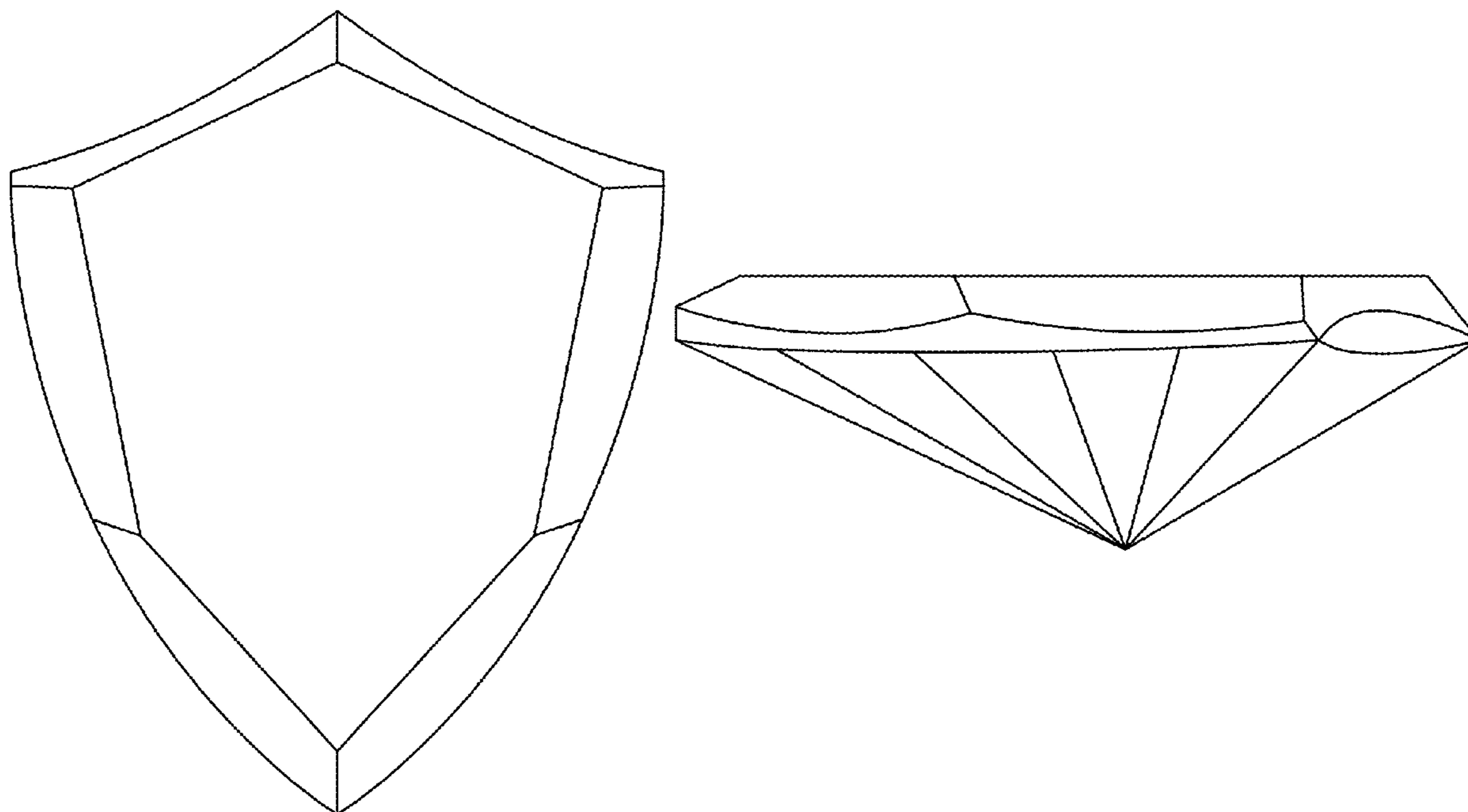
The ornamental design for a gemstone, as shown.

DESCRIPTION

FIG. 1 is a front elevational view of a gemstone showing our new design;
FIG. 2 is a rear elevational view thereof;
FIG. 3 is a top plan view thereof;
FIG. 4 is a bottom plan view thereof;
FIG. 5 is a side elevational view thereof; and,
FIG. 6 is a perspective top view thereof.

1 Claim, 3 Drawing Sheets

(56) **References Cited**
U.S. PATENT DOCUMENTS
D105,563 S * 8/1937 Asher D11/34
D340,667 S * 10/1993 Schachter D11/89
D389,086 S * 1/1998 Rosenberg D11/90
D490,340 S * 5/2004 Ho D11/90
D501,156 S * 1/2005 Tolkowsky D11/90
D511,994 S * 11/2005 Chan D11/90
D514,015 S * 1/2006 Ho D11/90
D567,140 S * 4/2008 Rydlewicz D11/90



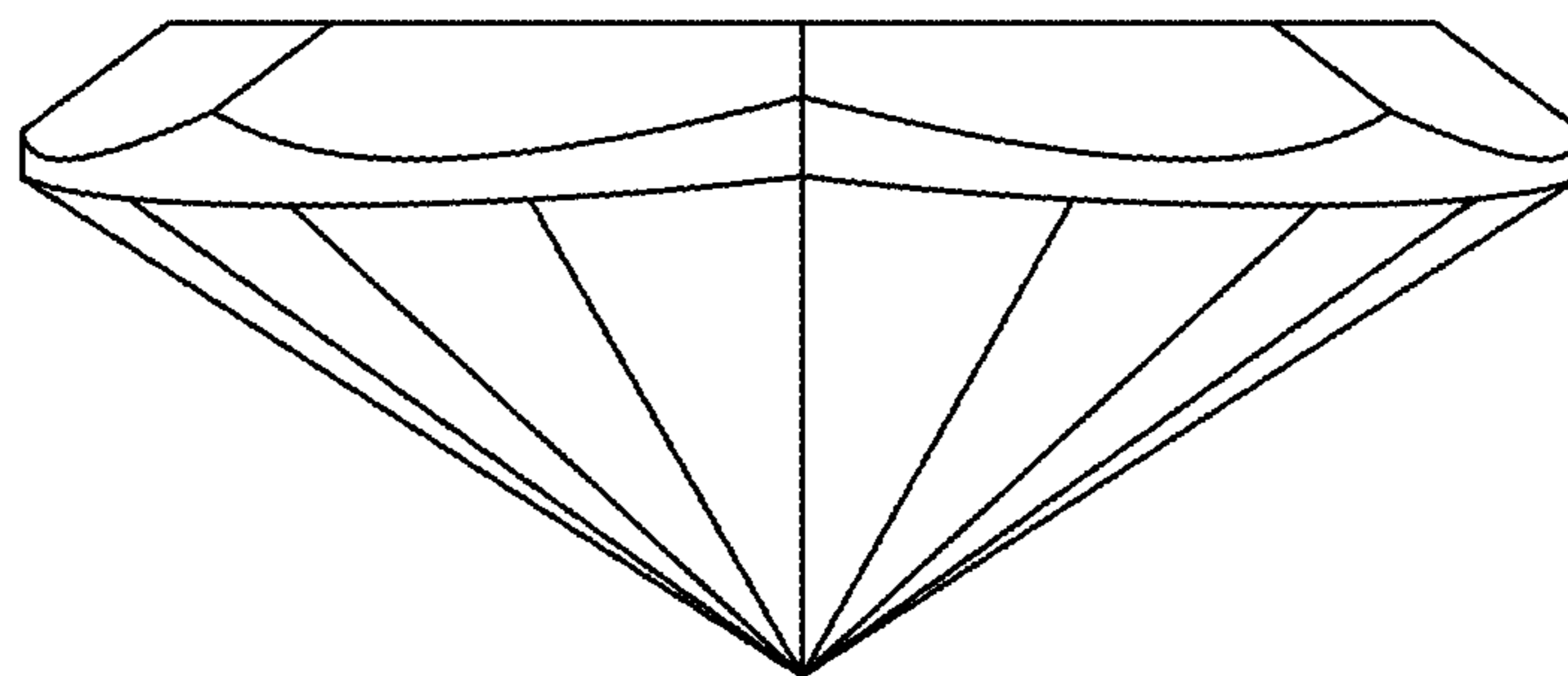


FIG. 1

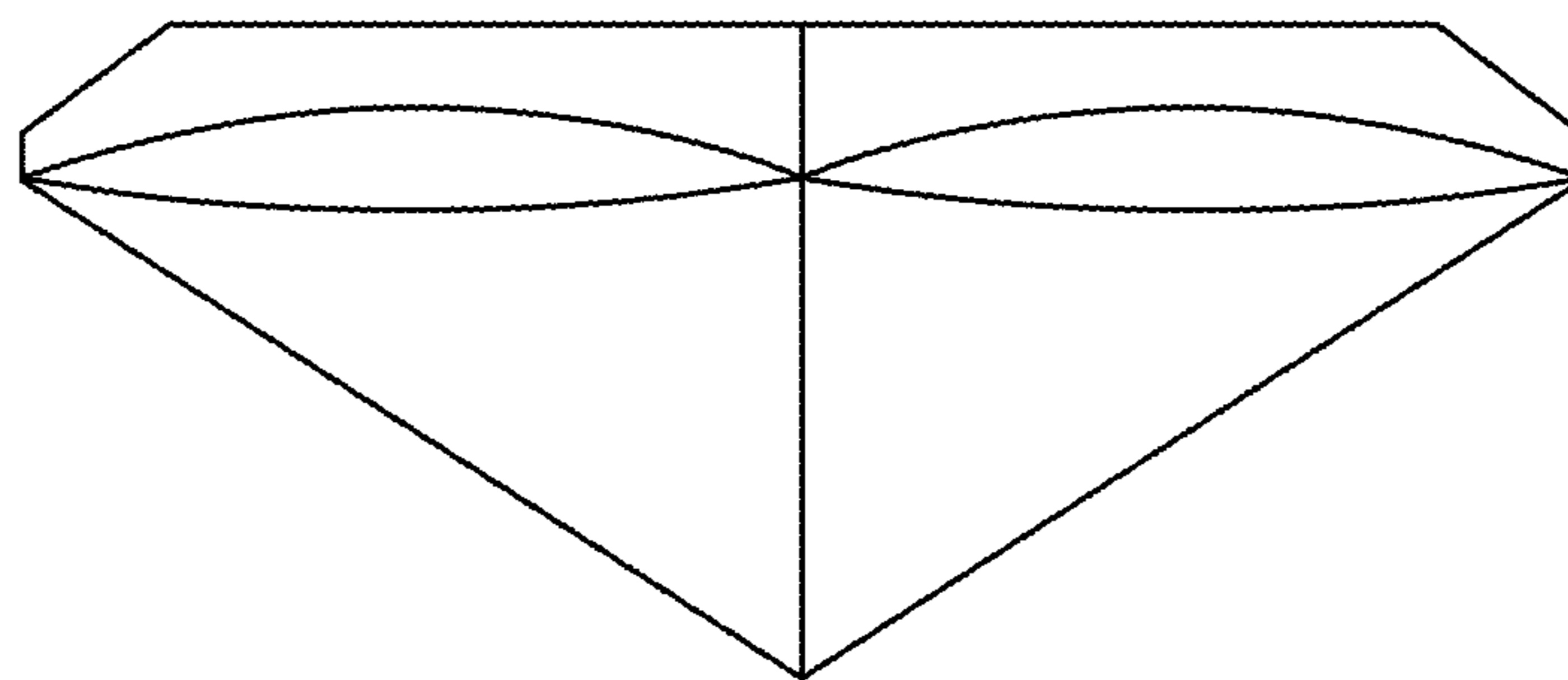


FIG. 2

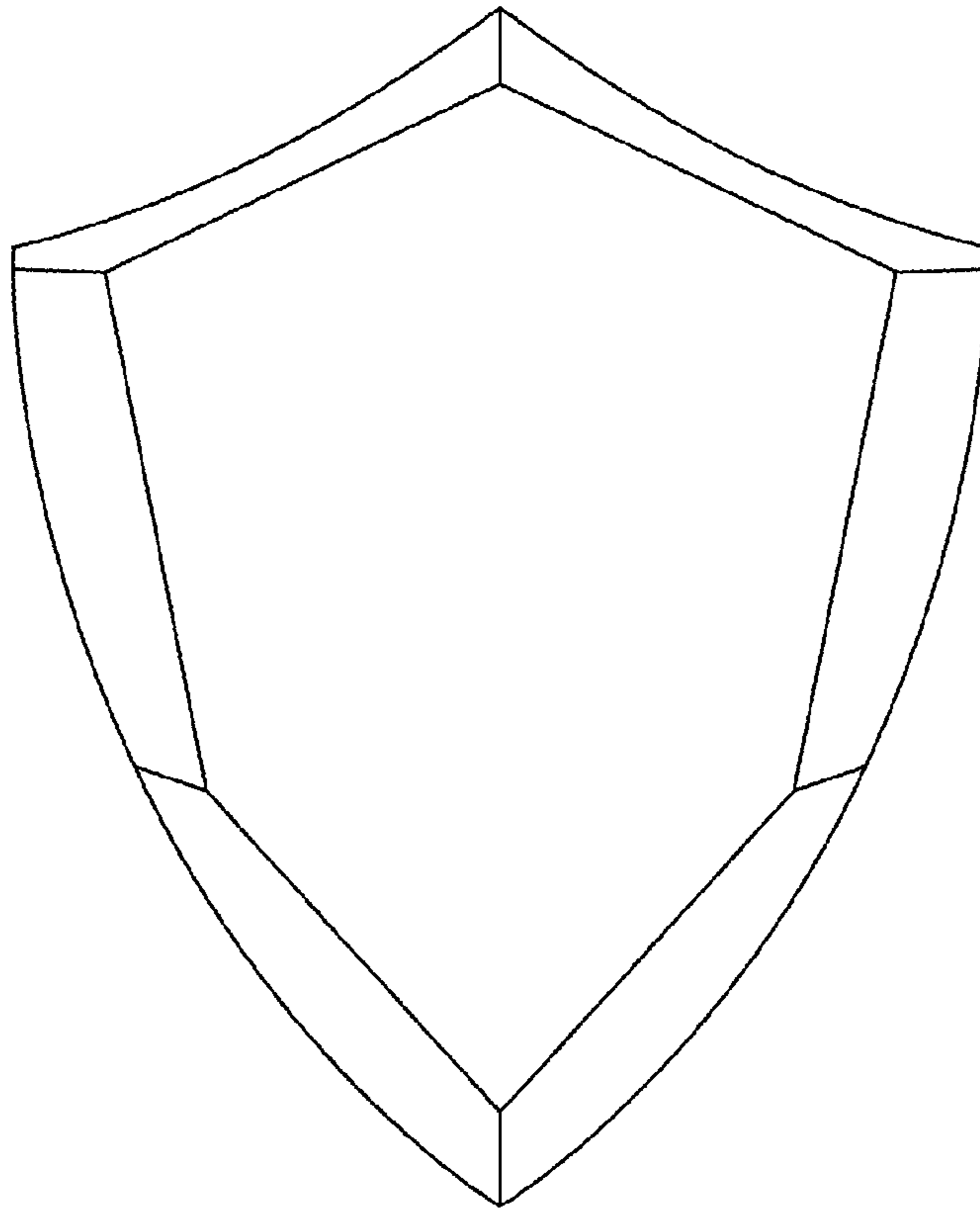


FIG. 3

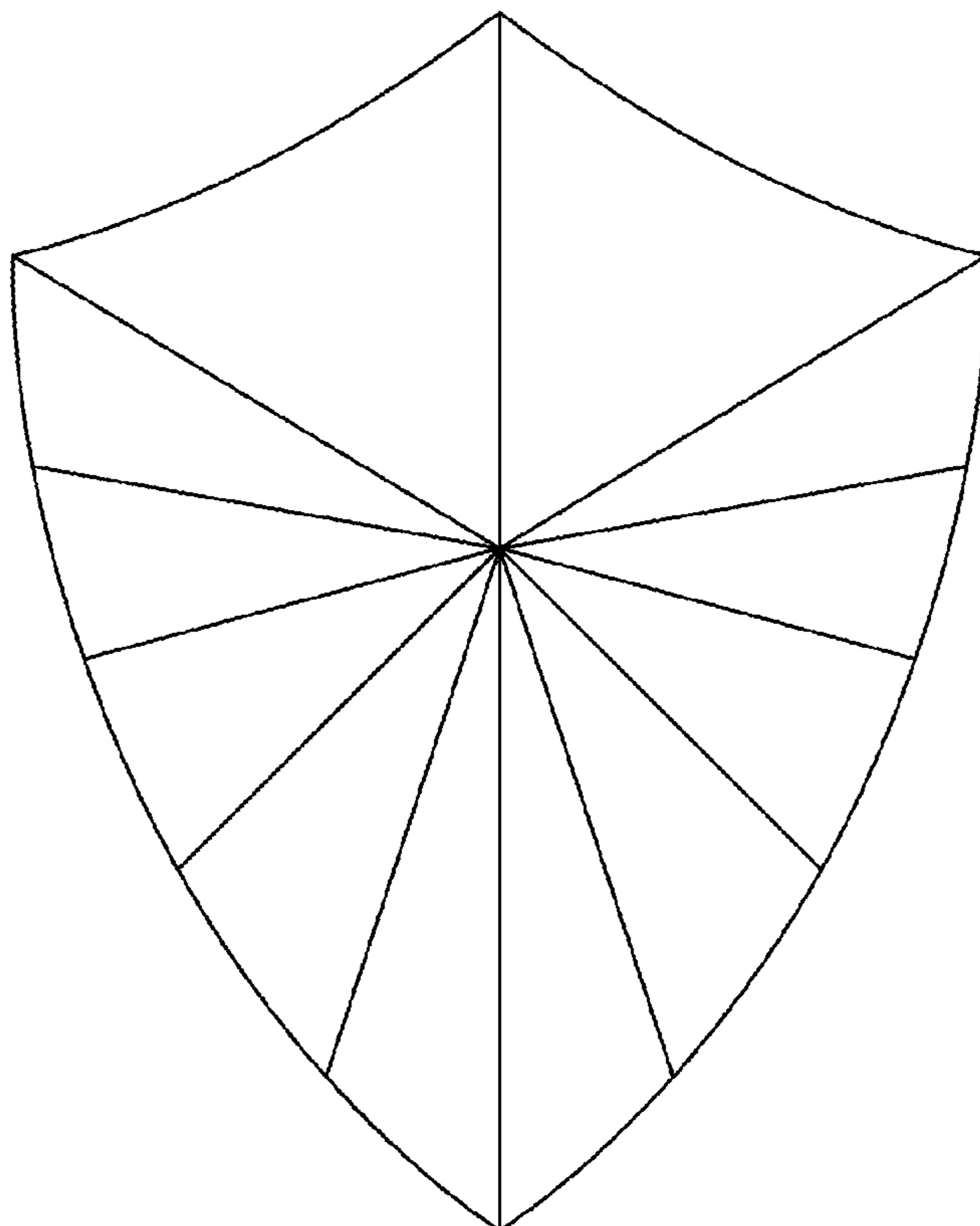


FIG. 4

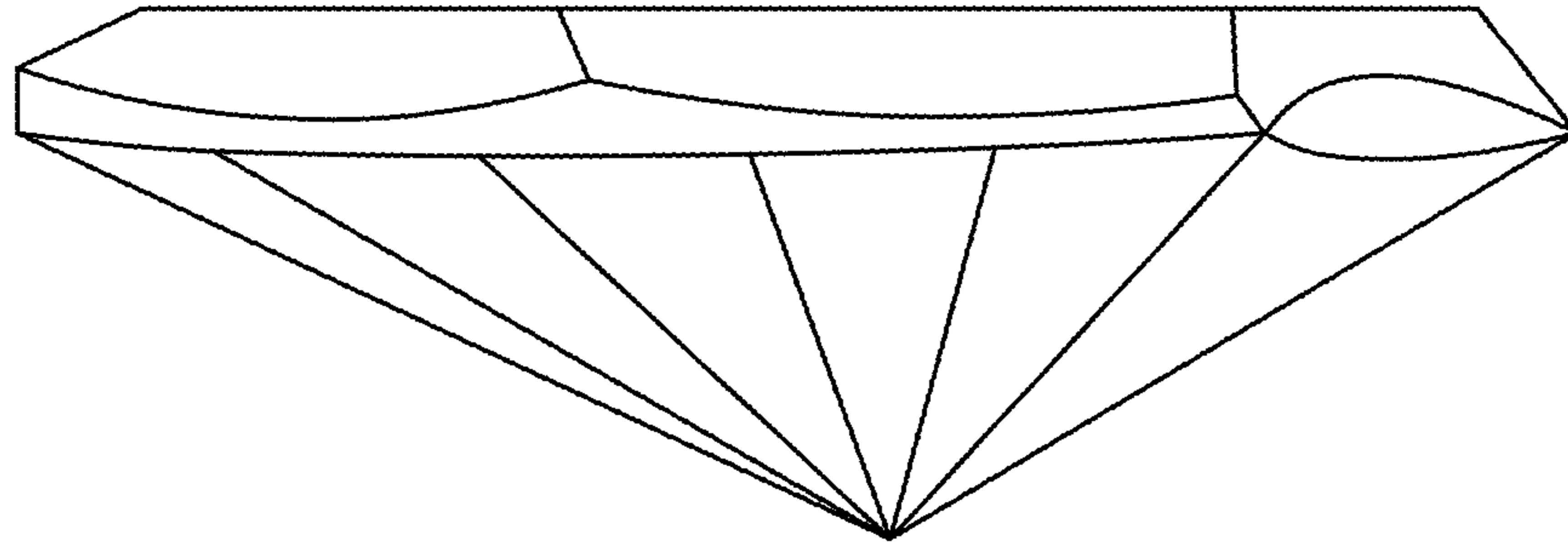


FIG. 5

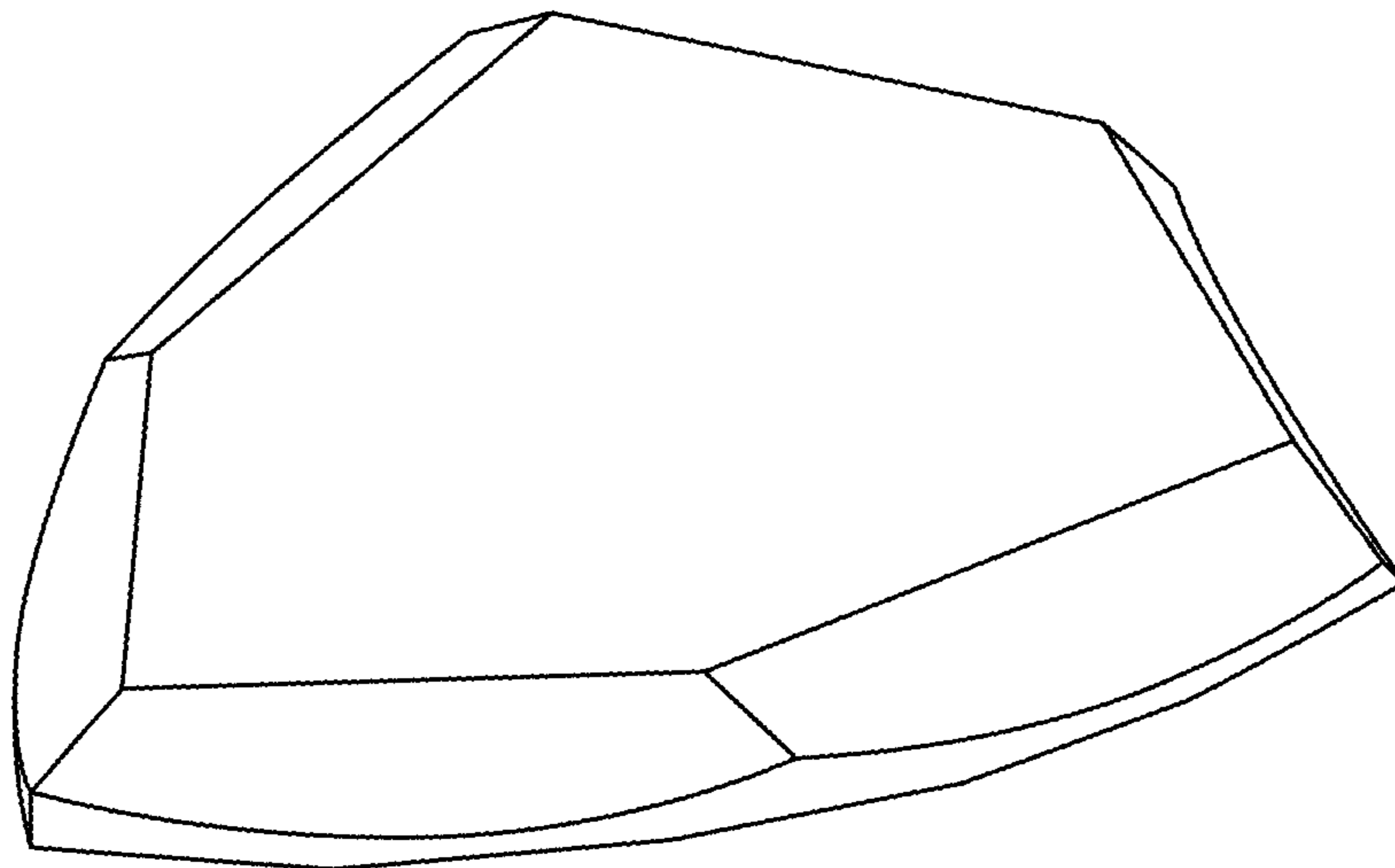


FIG. 6