



US00D893341S

(12) **United States Design Patent**
DeJonge

(10) **Patent No.:** **US D893,341 S**

(45) **Date of Patent:** **** Aug. 18, 2020**

(54) **PENDANT FOR AN ARTICLE OF JEWELRY**

(71) Applicant: **Deborah K. DeJonge**, Grand Rapids, MI (US)

(72) Inventor: **Deborah K. DeJonge**, Grand Rapids, MI (US)

(**) Term: **15 Years**

(21) Appl. No.: **29/659,976**

(22) Filed: **Aug. 14, 2018**

(51) **LOC (12) Cl.** **11-01**

(52) **U.S. Cl.**
USPC **D11/79; D11/81**

(58) **Field of Classification Search**
USPC D11/1-3, 6-10, 15-17, 26-30, 34-35, D11/40-45, 48, 56, 61, 47, 79, 81, 83,
(Continued)

(56) **References Cited**

U.S. PATENT DOCUMENTS

41,881 A 3/1864 Whipple
233,334 A * 10/1880 Doyle B21G 3/12
411/489

(Continued)

OTHER PUBLICATIONS

Vintage Horseshoe Nail Charm Pendant, The 60S, no date available, [online], [site visited Sep. 30, 2019]. Retrieved from url:https://www.augisfan.com/product-page/vintage-horseshoe-nail-charm-pendant-the-60s-2 (Year: 2019).*

(Continued)

Primary Examiner — Michelle E. Wilson

Assistant Examiner — Tracey J Bell

(74) *Attorney, Agent, or Firm* — Price Heneveld LLP

(57) **CLAIM**

The ornamental design for a pendant for an article of jewelry, as shown and described.

DESCRIPTION

FIG. 1 is a front perspective view of a pendant for an article of jewelry according to a first embodiment of our design; FIG. 2 is a front view of the pendant for an article of jewelry of FIG. 1;

FIG. 3 is a back view thereof;

FIG. 4 is a right side view thereof;

FIG. 5 is a left side view thereof;

FIG. 6 is a bottom view thereof.

FIG. 7 is a top view thereof;

FIG. 8 is a front perspective view of the pendant for an article of jewelry according to a second embodiment of our design;

FIG. 9 is a front view of the pendant for an article of jewelry of FIG. 8;

FIG. 10 is a back view thereof;

FIG. 11 is a right side view thereof;

FIG. 12 is a left side view thereof;

FIG. 13 is a bottom view thereof.

FIG. 14 is a top view thereof;

FIG. 15 is a front perspective view thereof, shown in an environment of use;

FIG. 16 is a front perspective view of the pendant for an article of jewelry according to a third embodiment to our design;

FIG. 17 is a front view of the pendant for an article of jewelry of FIG. 16;

FIG. 18 is a back view thereof;

FIG. 19 is a right side view thereof;

FIG. 20 is a left side view thereof;

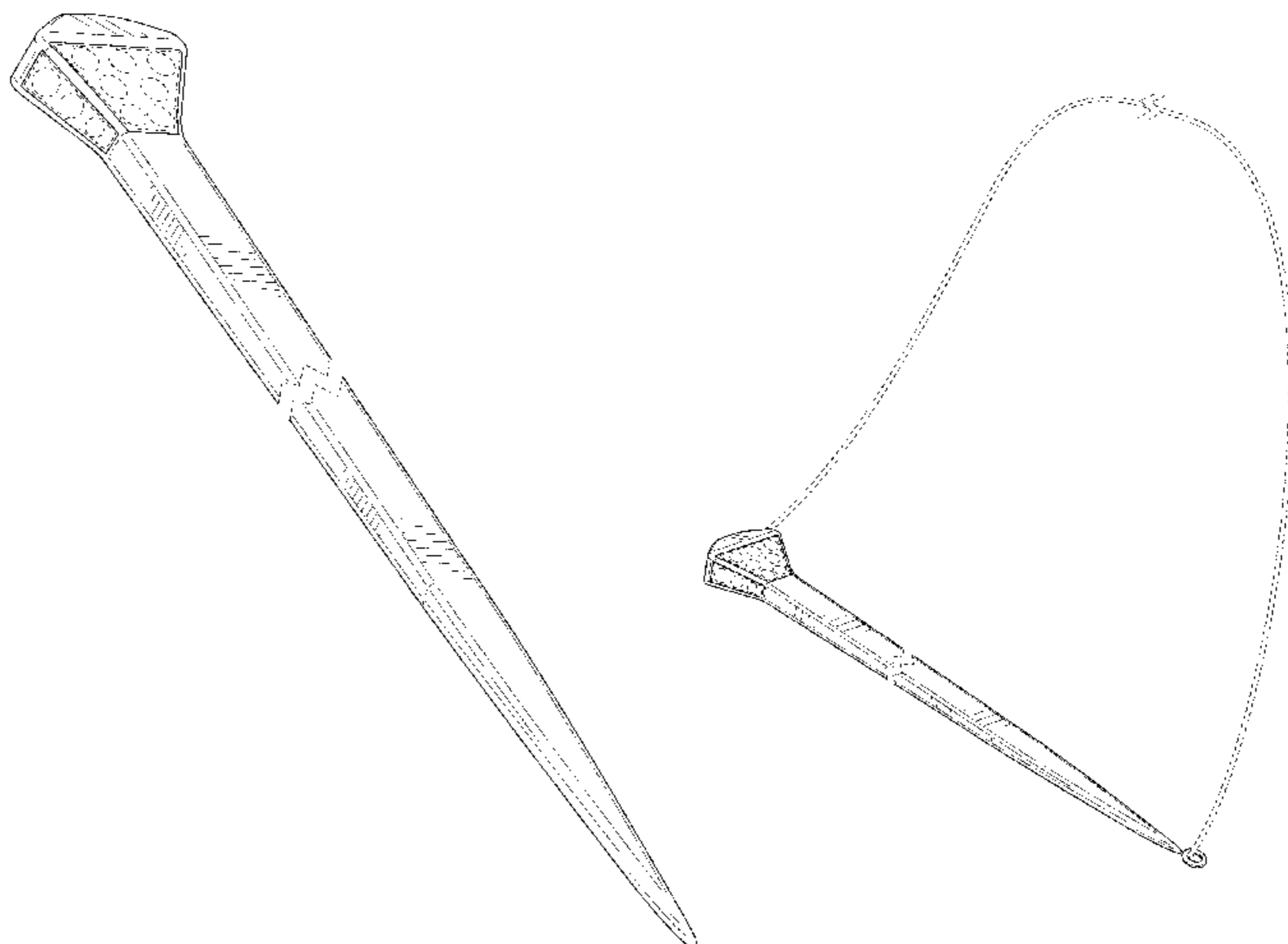
FIG. 21 is a bottom view thereof;

FIG. 22 is a top view thereof; and,

FIG. 23 is a front perspective view thereof, shown in an environment of use.

The broken lines in the figures depict portions of the pendant for an article of jewelry and environmental subject matter that form no part of the claimed design. The broken lines shown in the figures that are immediately adjacent to the areas included in the claim and define unshaded regions

(Continued)



represent the bounds of the claim. Broken lines shown within broken line boundaries are directed to environment. The pairs of closely adjacent, jagged broken lines on the shaft of the Pendant for an article of jewelry define boundaries of the claimed design and form no part of the claimed design. The appearance of any portion of the article between the pairs of closely adjacent, jagged broken lines on the shaft of the pendant for an article of jewelry forms no part of the claimed design.

1 Claim, 14 Drawing Sheets

(58) Field of Classification Search

USPC ... D11/116, 117, 157, 73–76, 36–38, 87–92;
D8/391–393; D99/37
CPC A44C 9/00; A44C 9/0007; A44C 9/0015;
A44C 9/0023; A44C 9/003; A44C
9/0038; A44C 9/0046; A44C 9/0053;
A44C 9/0061; A44C 9/0069; A44C
9/0076; A44C 9/0084; A44C 9/0092;
A44C 9/02; A44C 1/00; A44C 7/00;
A44C 7/002; A44C 7/003; A44C 7/004;
A44C 7/005; A44C 7/006; A44C 7/007;
A44C 7/008; A44C 7/009; A44C 15/001;
A44C 15/0005; A44C 15/0025; A44C
15/0045; A44C 25/00; A44C 25/002;
A44C 25/001; A44C 25/004; A44C
25/005; A44C 25/007; A44C 25/008;
A44C 13/00; A44C 3/00; A44C 3/001;
A44C 3/004; A44C 3/005; A44C 15/005;
A44C 15/0055; A01L 7/10; A01L 11/00;
A01K 13/007

See application file for complete search history.

(56) References Cited

U.S. PATENT DOCUMENTS

351,573 A * 10/1886 Capewell B21G 3/12
470/35
378,935 A 3/1888 Muterspaugh
417,490 A * 12/1889 Kempster A01L 7/10
411/489
427,030 A 4/1890 Kempster
553,167 A * 1/1896 Kempster B21G 3/12
411/489
639,405 A 12/1899 Knight
D33,934 S * 1/1901 Rogers D11/31
1,131,248 A 3/1915 Knight
1,139,309 A * 5/1915 Nesler A44C 7/00
63/12

1,276,544 A 8/1918 Knight
1,443,527 A * 1/1923 Cutter B21G 3/12
470/35
D133,402 S * 8/1942 Boucher D11/27
D226,624 S * 4/1973 Maze D99/27
D228,740 S * 10/1973 Kamaichiro et al. D8/392
D236,019 S * 7/1975 Scott D99/27
D416,190 S * 11/1999 Heeley D8/391
5,988,967 A 11/1999 Jones
6,581,693 B1 6/2003 Whyde
D486,415 S * 2/2004 Curtis A61C 15/02
D11/2
D644,093 S * 8/2011 Togami D8/391
D644,094 S * 8/2011 Togami D8/391
D652,572 S * 1/2012 Moran D28/65
D683,208 S * 5/2013 Nocelo Stelin D8/391
2005/0217870 A1 * 10/2005 Kolonia, Sr. A01L 5/00
168/4
2009/0120650 A1 * 5/2009 Daine A01L 7/00
168/4

OTHER PUBLICATIONS

Yellow Gold Small Horseshoe Nail w_ Pave Diamonds—Poor Cat Designs, no date available, [online], [site visited Sep. 30, 2019]. Retrieved from url:<https://poorcatdesigns.com/portfolio-item/18k-yellow-gold-small-horseshoe-nail-w-pave-diamonds/> (Year: 2019).*

Victorian 2.00 Total Carat Diamond Double Horseshoe and Nail Pendant Necklace, no date available, [online], [site visited Sep. 30, 2019]. Retrieved from url:<https://www.1stdibs.com/jewelry/necklaces/pendant-necklaces/victorian-200-total-carat-diamond-double-horseshoe-nail-pendant-necklace/> (Year: 2019).*

Ebay Vintage Horseshoe Nails Charm Pendant, Feb. 15, 2019, [online], site visited Apr. 9, 2020. Retrieved from url:<https://www.ebay.com/itm/VINTAGE-HORSESHOE-NAILS-CHARM-PENDANT-FULL-DIAMONDS-GOLD-18K-THE-90S-9-70-GR/123647603285?hash=item1cc9f8b255:g:7dQAAOSw04ZcZueQ> (Year: 2019).*

Product catalog _ Mustad, published Oct. 2017, [online], [site visited Mar. 6, 2020]. Retrieved from url:https://www.mustad.com/en_us/product-catalog (Year: 2017).*

Nailing EasyShoes_ It's a Clinch, Dec. 3, 2014, Daisy Bicking, [online], [site visited Mar. 6, 2020]. Retrieved from url:<https://blog.easycareinc.com/nailing-composite-shoes3a-its-a-clinch/> (Year: 2014).*

Vintage French Horseshoe Nail Luck Charm, Feb. 26, 2018, [online], [site visited Mar. 6, 2020]. Retrieved from url:https://www.etsy.com/listing/578212850/vintage-french-horseshoe-nail-luck-charm?show_sold_out_detail=1&ref=anchored_listing&frs=1 (Year: 2018).*

Horseshoe Nail Sapphire & Diamond Brooch, as archived by the Internet archive on date Dec. 2, 2014, [online], [site visited Mar. 6, 2020]. Retrieved from url:<https://web.archive.org/web/20141202191504/https://www.antiquejewellerycompany.com/shop/horseshoe-nail-sapphire-diamond-brooch/> (Year: 2014).*

Cartier brooch sotheby's, Mar. 15, 2016, [online], [site visited 40 Apr. 2020]. Retrieved from url:<https://www.sothebys.com/en/auctions/ecatalogue/2016/fine-jewels-I16050/lot.75.html?locale=en> (Year: 2016).*

* cited by examiner

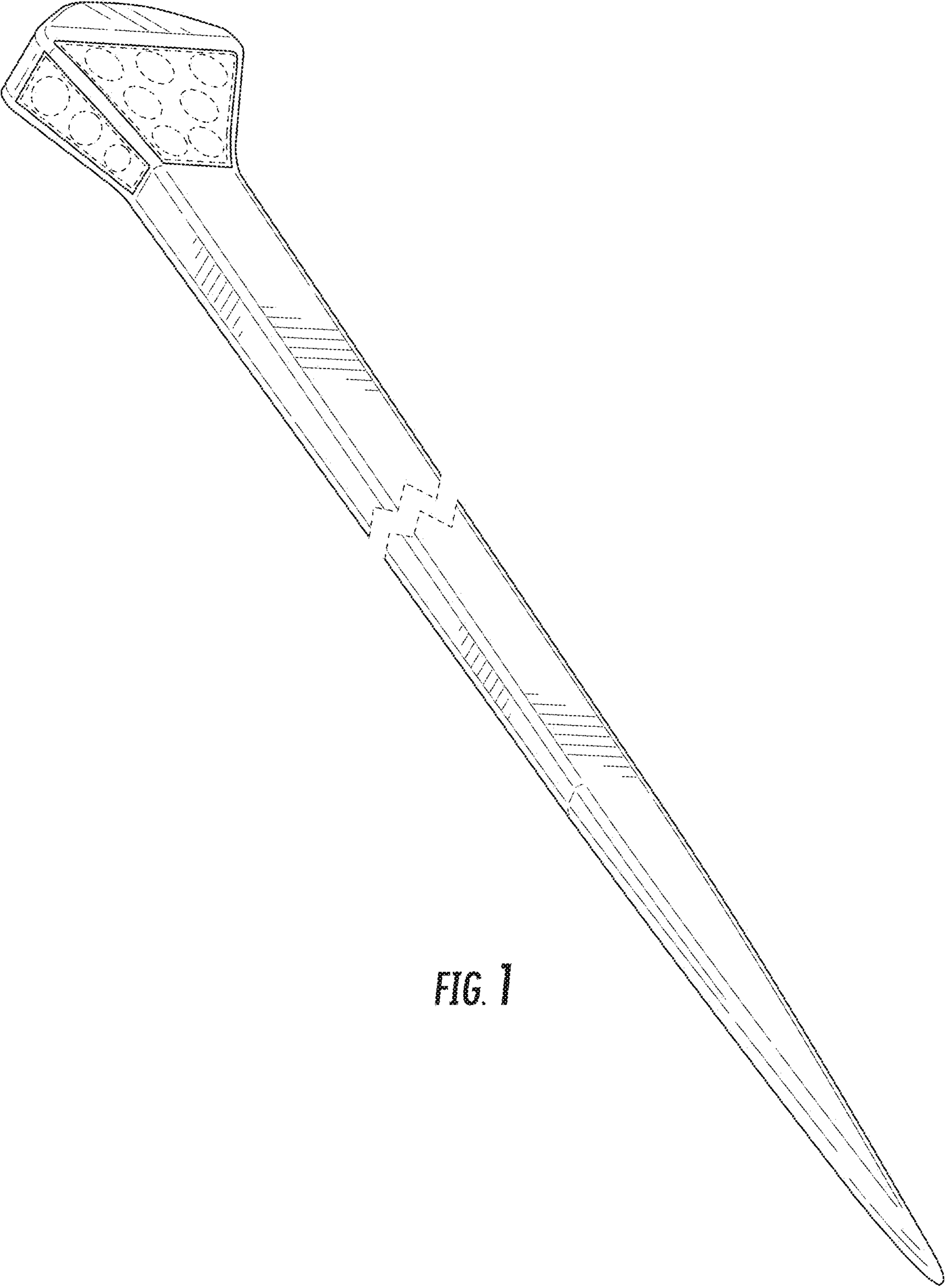


FIG. 1

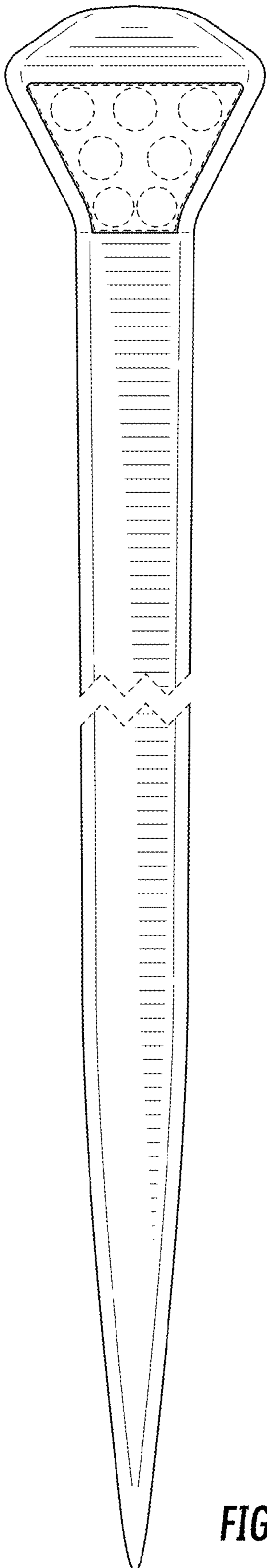


FIG. 2

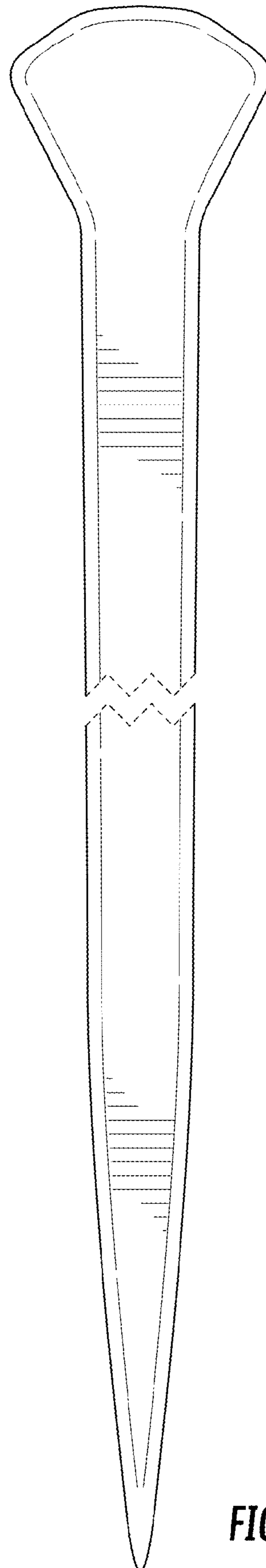


FIG. 3

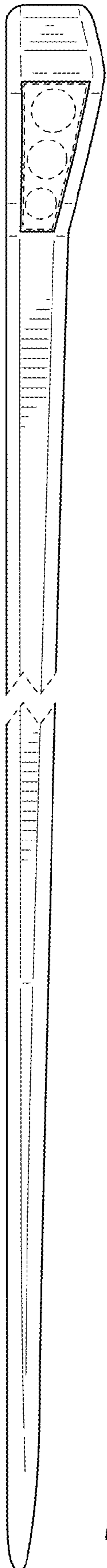


FIG. 4

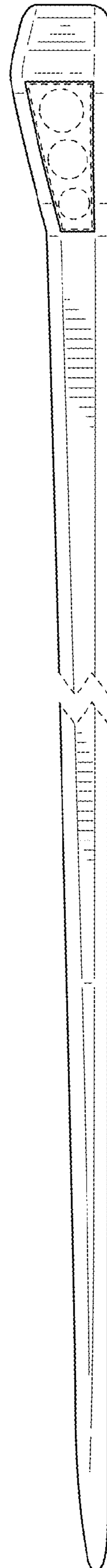


FIG. 5

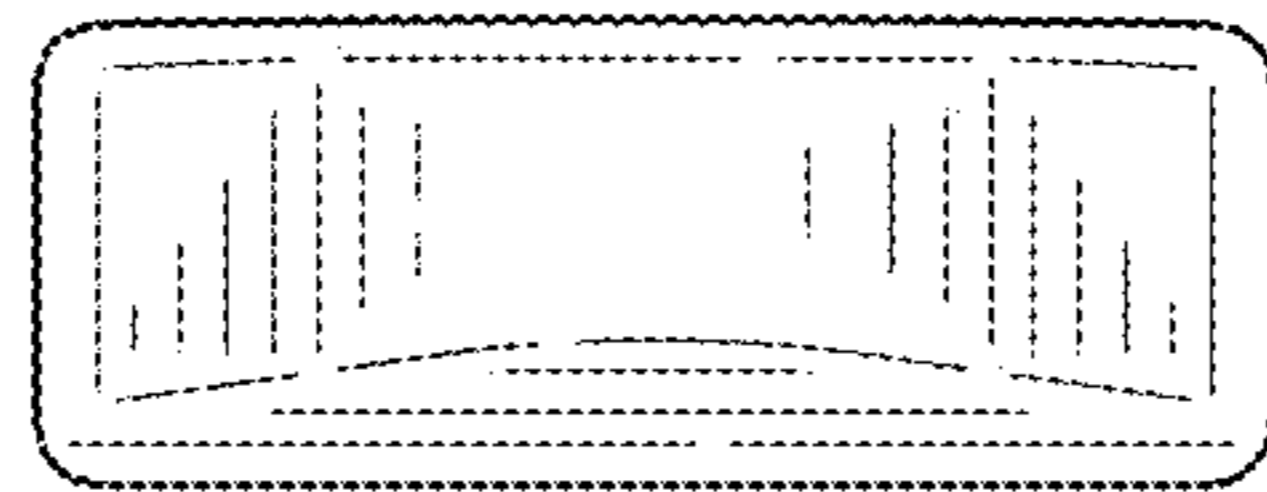


FIG. 6

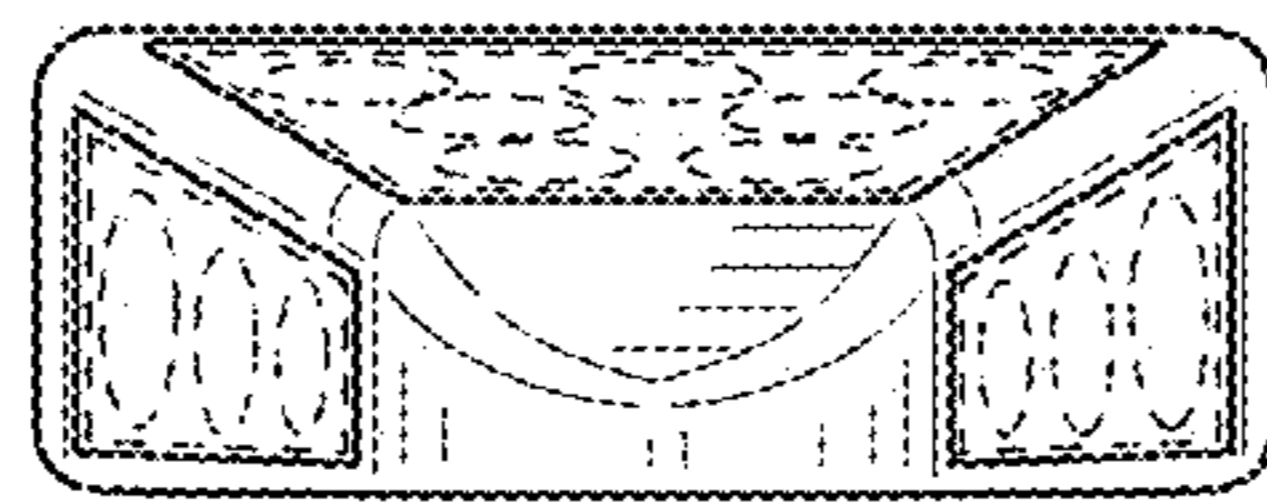


FIG. 7

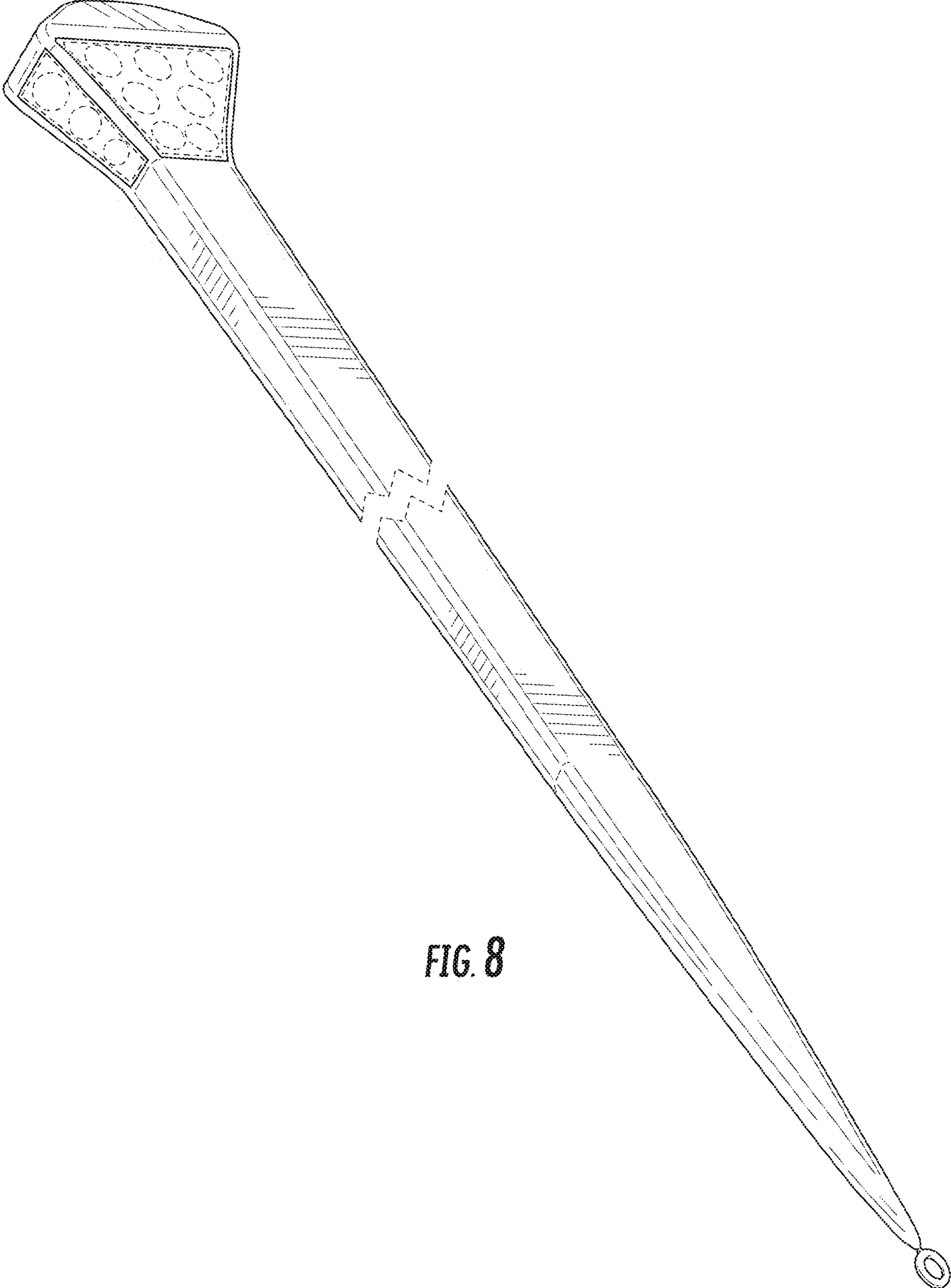
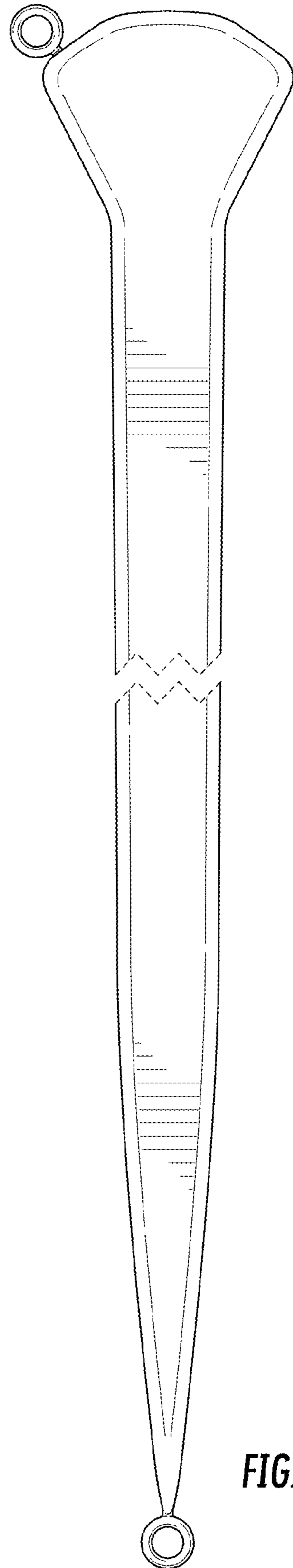
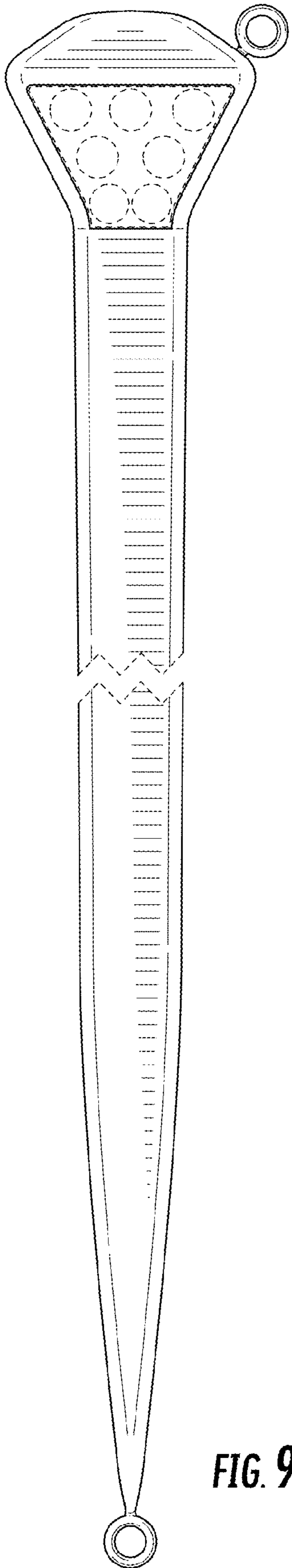


FIG. 8



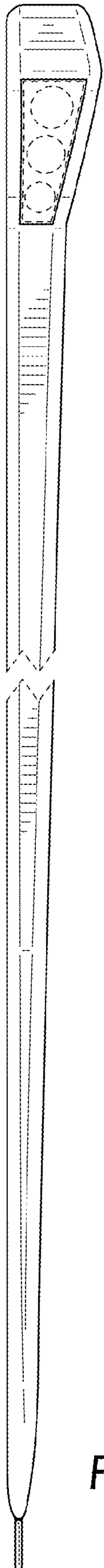


FIG. 11

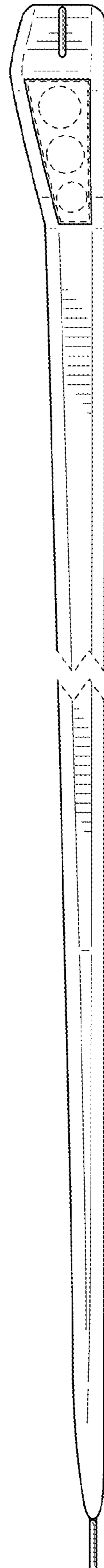


FIG. 12



FIG. 13

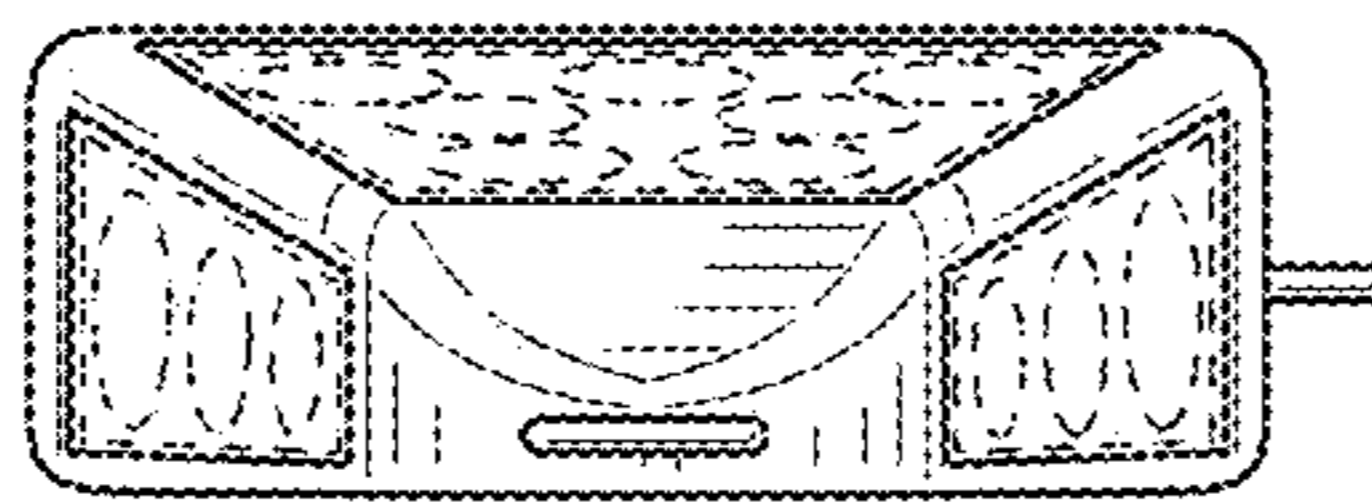


FIG. 14

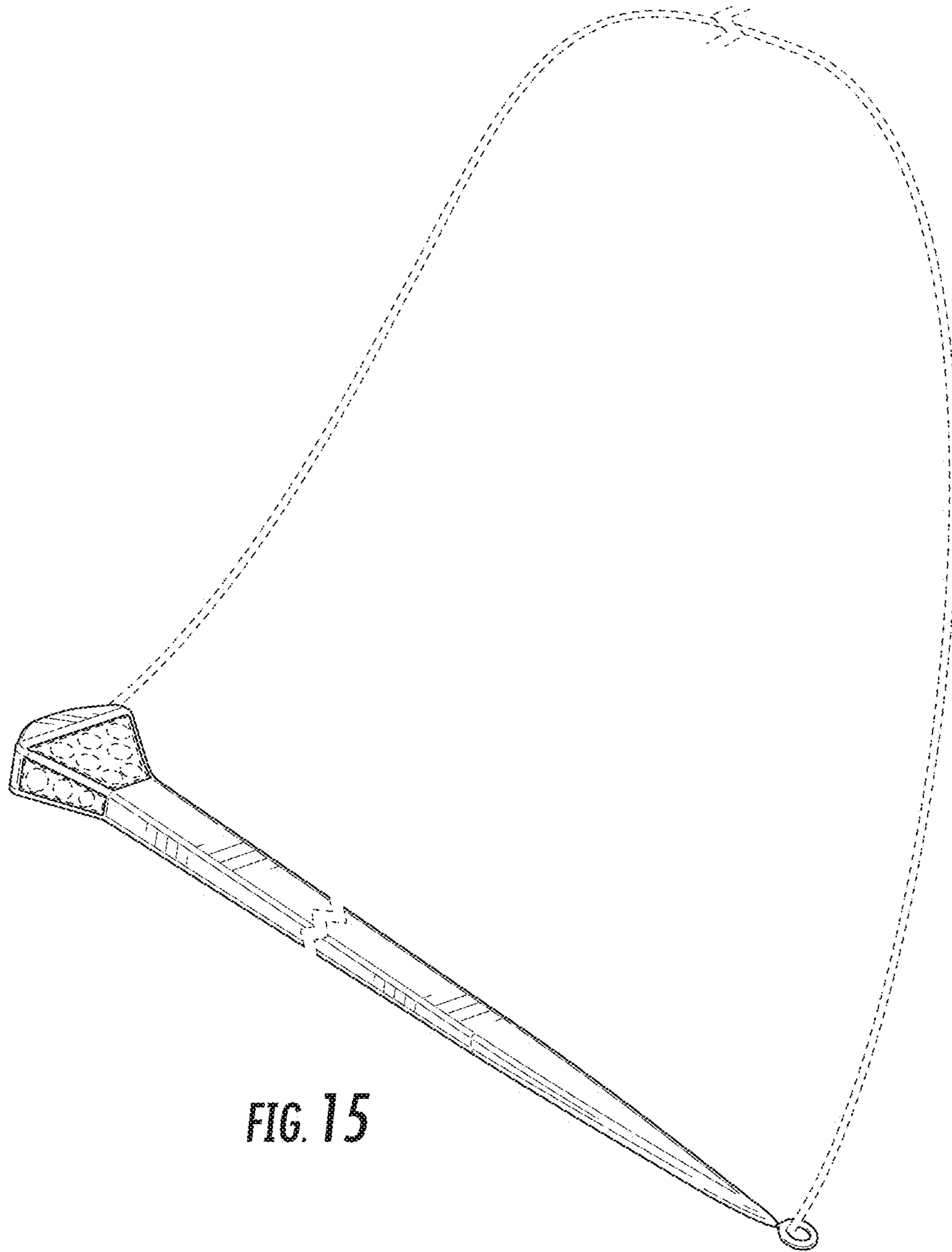


FIG. 15

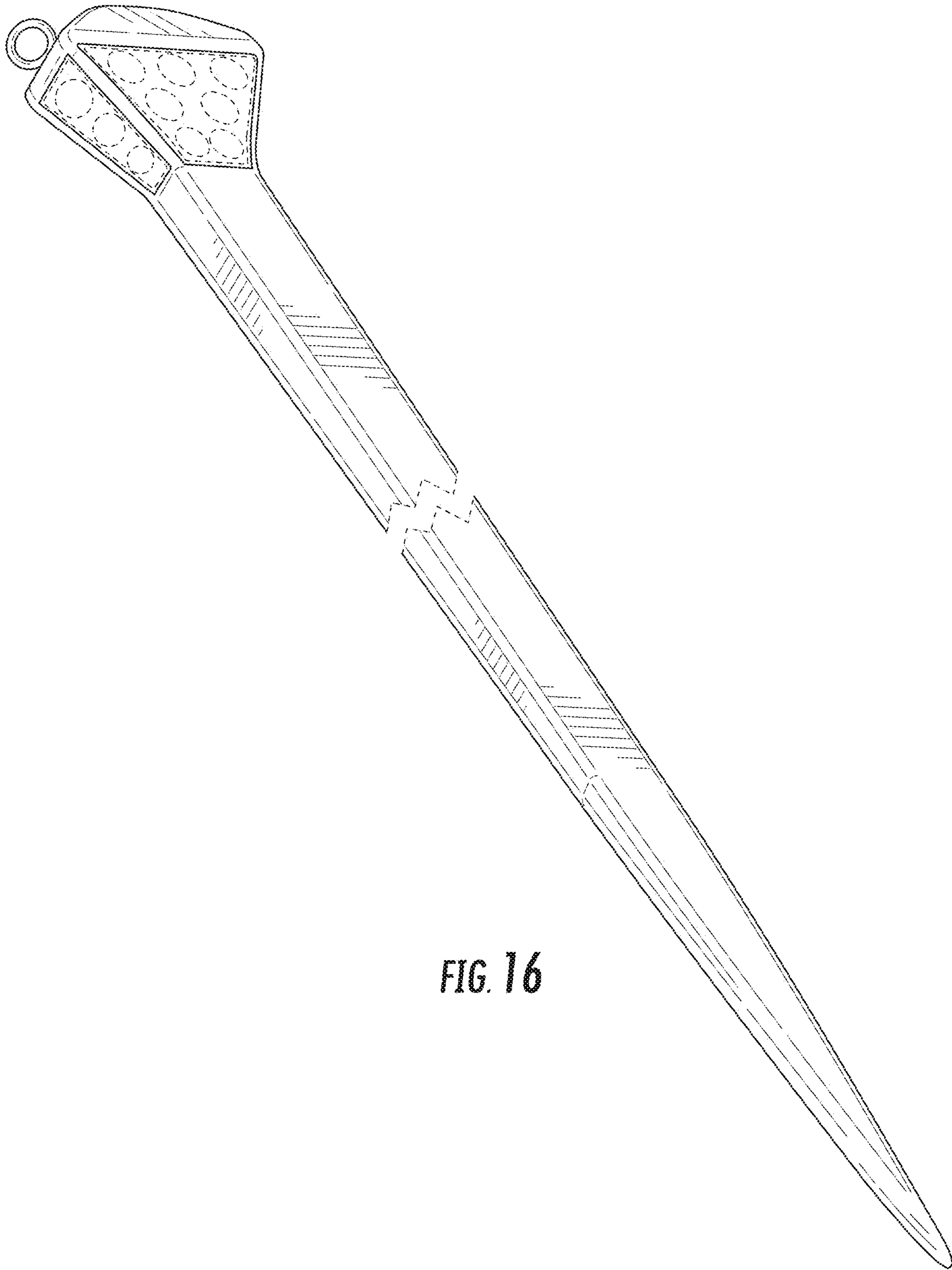
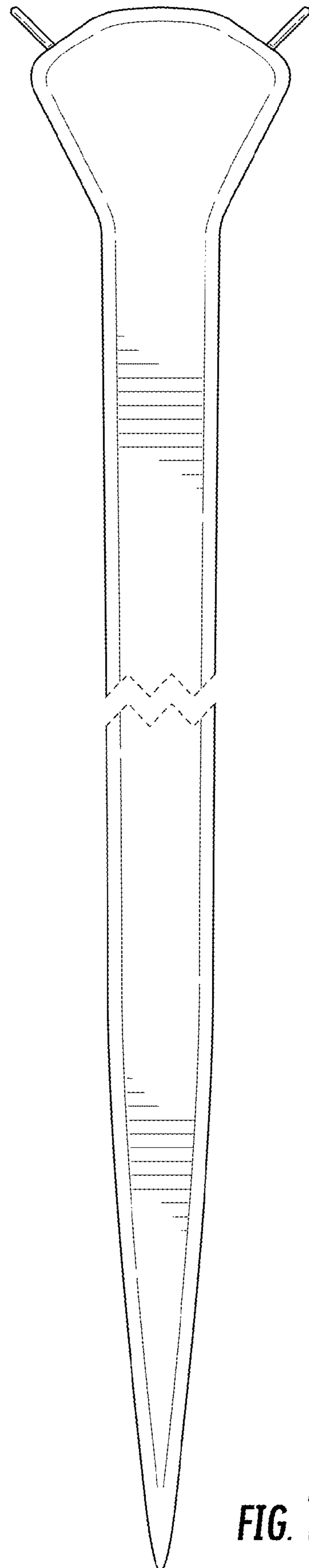
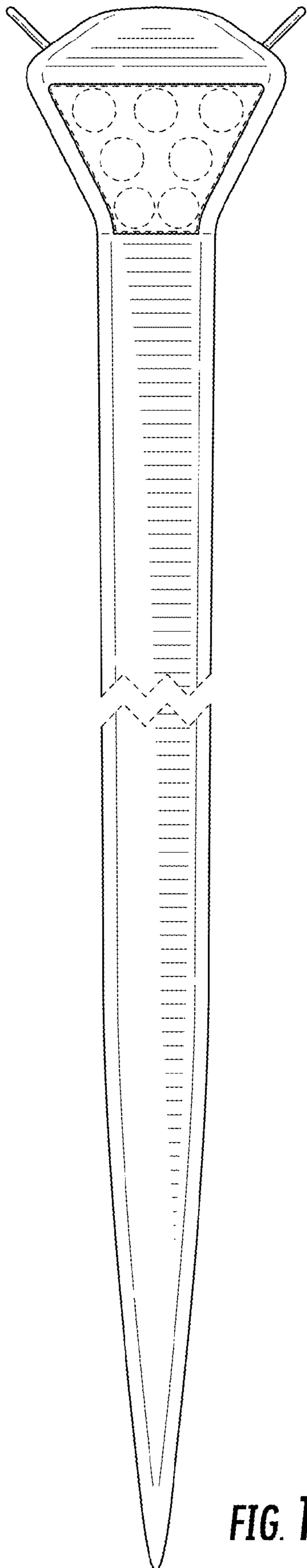


FIG. 16



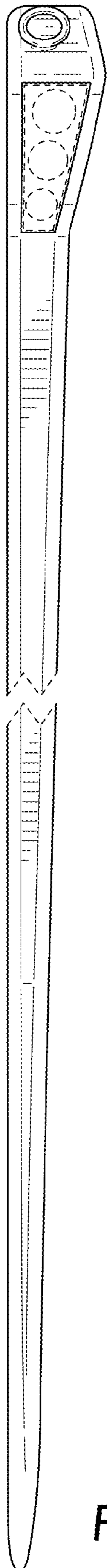


FIG. 19

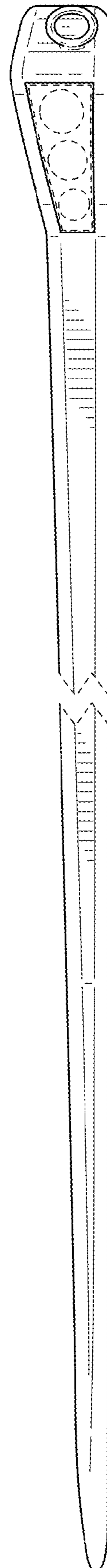


FIG. 20

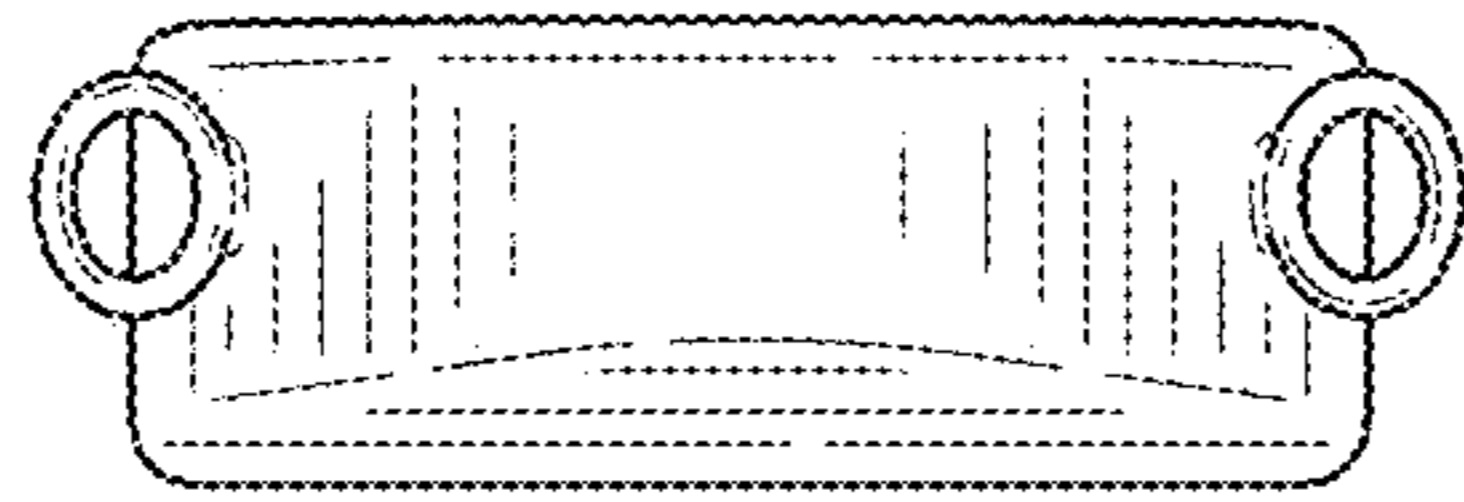


FIG. 21



FIG. 22

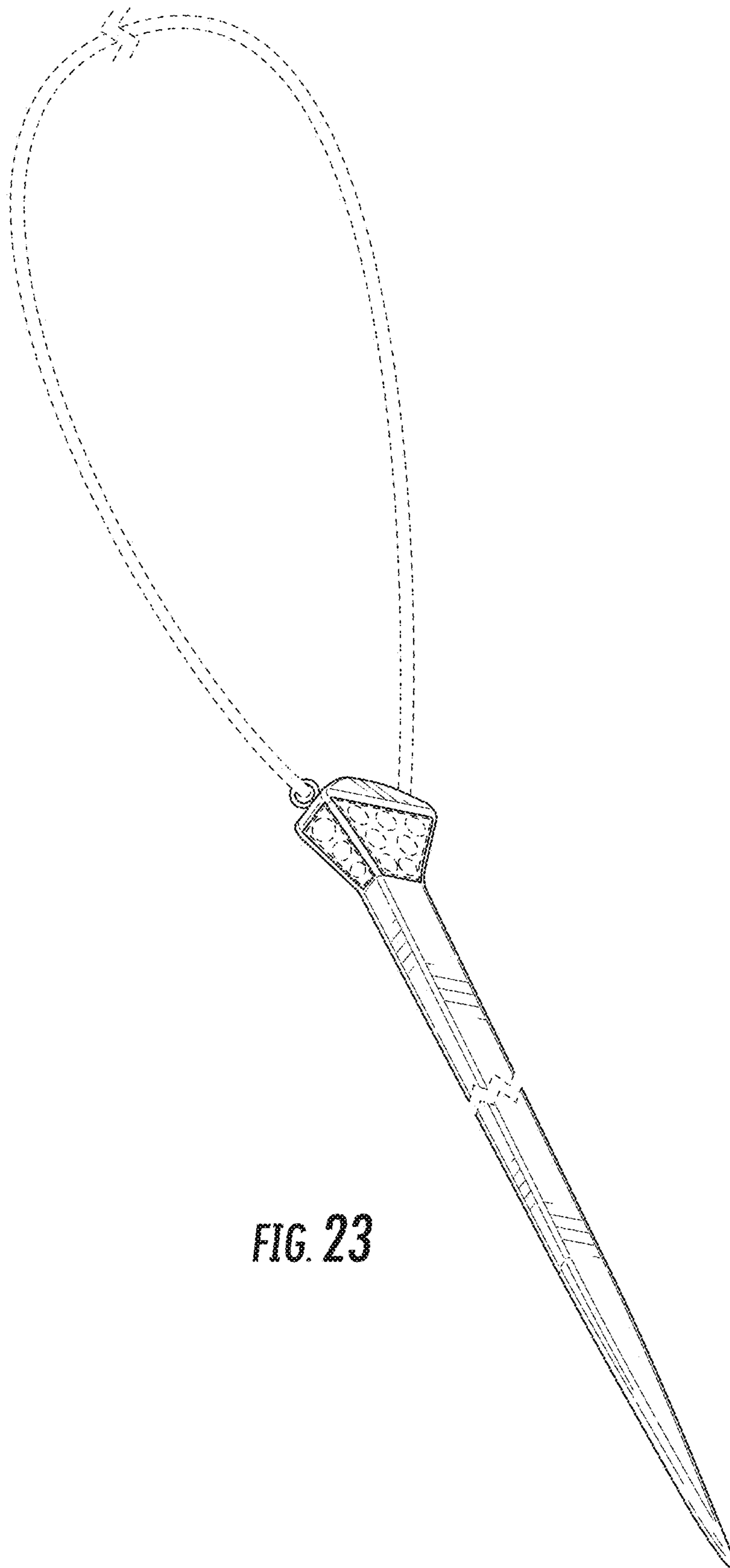


FIG. 23