



US00D893340S

(12) **United States Design Patent** (10) **Patent No.:** **US D893,340 S**
Zheng (45) **Date of Patent:** **** Aug. 18, 2020**

(54) **EARRING**
(71) Applicant: **Qunqun Zheng**, Guangzhou (CN)
(72) Inventor: **Qunqun Zheng**, Guangzhou (CN)
(**) Term: **15 Years**
(21) Appl. No.: **29/731,687**
(22) Filed: **Apr. 17, 2020**
(51) **LOC (12) Cl.** **11-01**
(52) **U.S. Cl.**
USPC **D11/42**
(58) **Field of Classification Search**
USPC ... D11/3, 4, 200–225, 26–39, 40–52, 91, 92
CPC A44C 7/00; A44C 7/001; A44C 7/002;
A44C 7/003; A44C 7/004; A44C 7/005;
A44C 7/006; A44C 7/007; A44C 7/008;
A44C 7/009; A44C 17/02; A44C
17/0208; A44C 17/0216; A44C 17/0225;
A44C 17/0233; A44C 17/0241; A44C
17/025; A44C 17/0258; A44C 17/0266;
A44C 17/0275; A44C 17/0283; A44C
17/0291
See application file for complete search history.

D791,012 S * 7/2017 Krainz D11/34
9,756,909 B1 * 9/2017 Bonner A44C 17/0233
D808,851 S * 1/2018 Kwon D11/40
D812,518 S * 3/2018 Yep D11/92
D832,735 S * 11/2018 Krainz D11/91
D852,084 S * 6/2019 Ho D11/92
D858,341 S * 9/2019 Chen D11/40
D875,593 S 2/2020 Yatsugi-Kang
2009/0235689 A1 * 9/2009 Slowinski A44C 17/046
63/15
2017/0055647 A1 * 3/2017 Samanta A44C 17/0208

OTHER PUBLICATIONS

[Online] “YOQUCOL Bright 8mm . . .” https://www.amazon.com/YOQUCOL-Zirconia-Crystal-Pierced-Earrings/dp/B07Q3LPYMW?ref=ast_sto_dp. Retrieved Jun. 20, 2020. Posted online Apr. 12, 2019.*
[Online] “Clip on earrings . . .” https://www.etsy.com/listing/228556895/clip-on-earrings-wedding-jewelry-stud?ga_order=most_relevant&go_search_type=all&ga_view_type=gallery&ga_search_query=clip+on+studs&ref=sr_gallery-1-6&col=1. Retrieved Jun. 20, 2020.*

* cited by examiner

Primary Examiner — Melanie Pellegrini
(74) *Attorney, Agent, or Firm* — ZANIP

(57) **CLAIM**

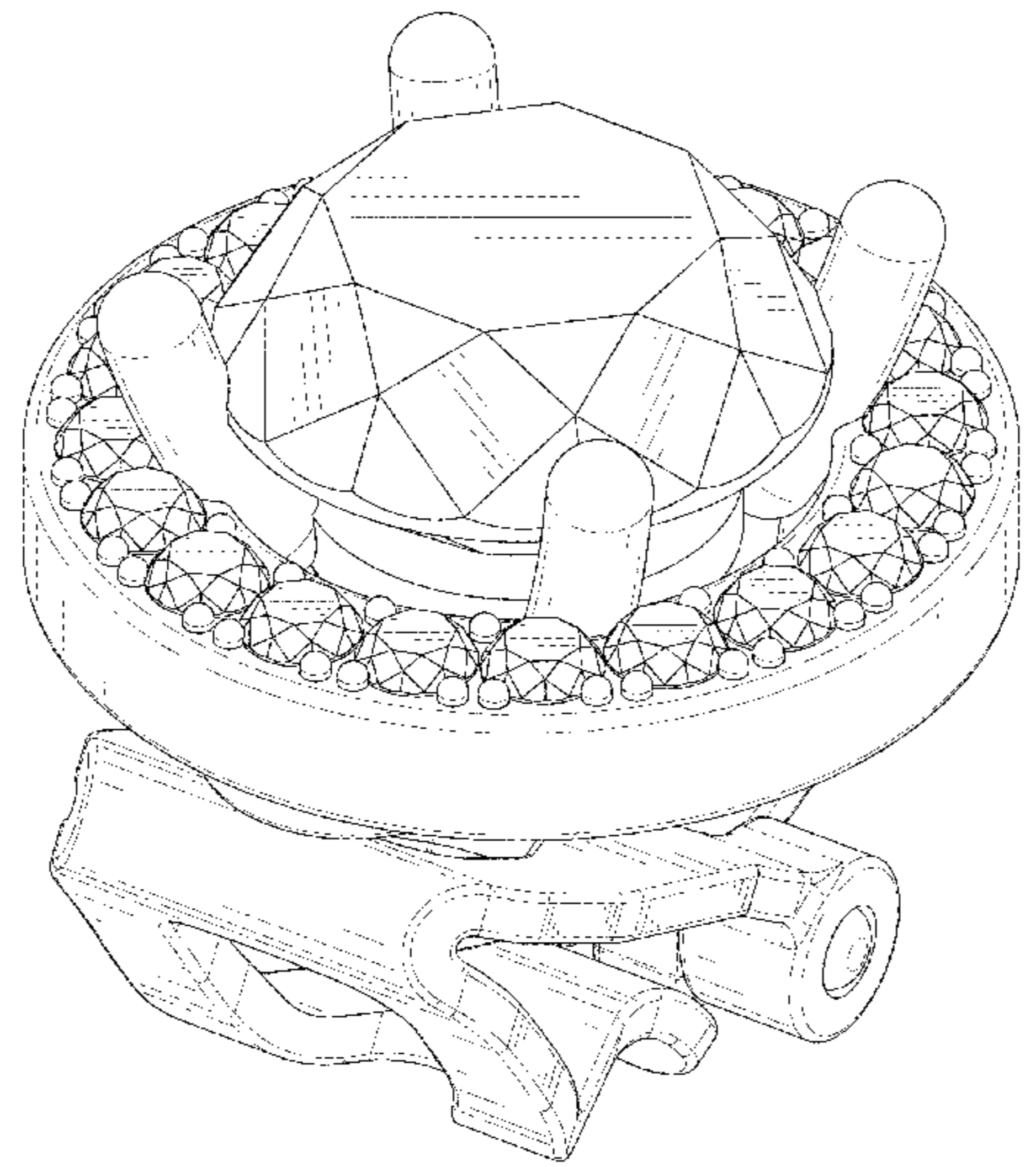
The ornamental design for an earring, as shown and described.

DESCRIPTION

FIG. 1 is a front and top perspective view of an earring, showing my new design;
FIG. 2 is a rear and bottom perspective view thereof;
FIG. 3 is a front elevational view thereof;
FIG. 4 is a rear elevational view thereof;
FIG. 5 is a left side elevational view thereof;
FIG. 6 is a right side elevational view thereof;
FIG. 7 is a top plan view thereof; and,
FIG. 8 is a bottom plan view thereof.

1 Claim, 8 Drawing Sheets

(56) **References Cited**
U.S. PATENT DOCUMENTS
2,423,905 A * 7/1947 Schuler, Jr. A44C 7/006
63/14.5
D182,205 S * 2/1958 Schreiber D10/31
D427,933 S * 7/2000 Tirakian D11/92
D633,409 S * 3/2011 Grosser-Samuels D11/34
D642,087 S * 7/2011 Kothari D11/40
D654,394 S * 2/2012 Kothari D11/40
D676,349 S * 2/2013 Papadimitriou D11/43
D684,085 S * 6/2013 Papadimitriou D11/42
D684,887 S * 6/2013 Wein D11/91
D687,335 S * 8/2013 Dholakiya D11/34
D718,181 S * 11/2014 Kothari D11/92
D754,024 S * 4/2016 Yep D11/92
D766,123 S * 9/2016 Wachtmeister D11/34
D786,119 S * 5/2017 Huynh D11/34



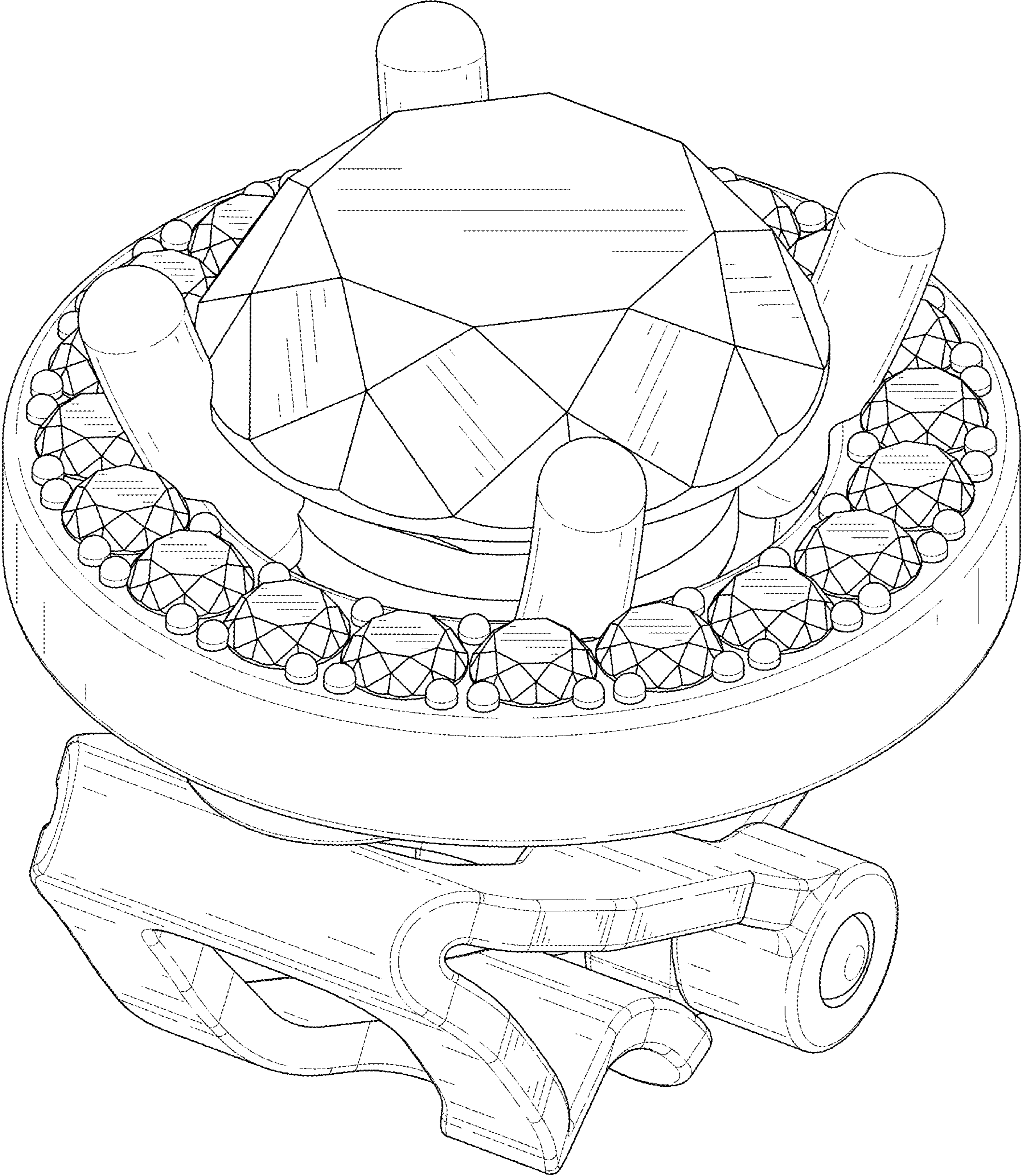


FIG. 1

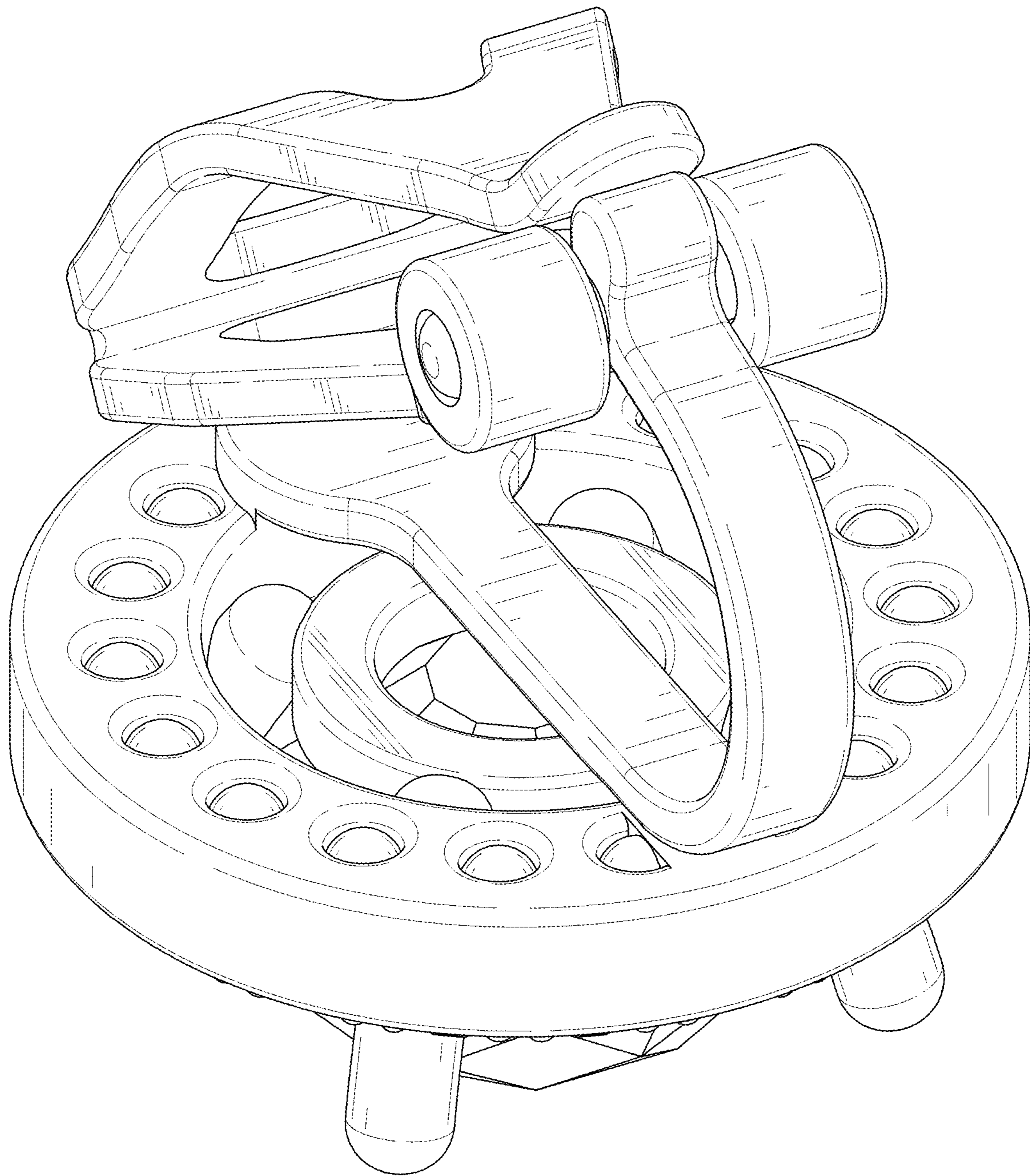


FIG. 2

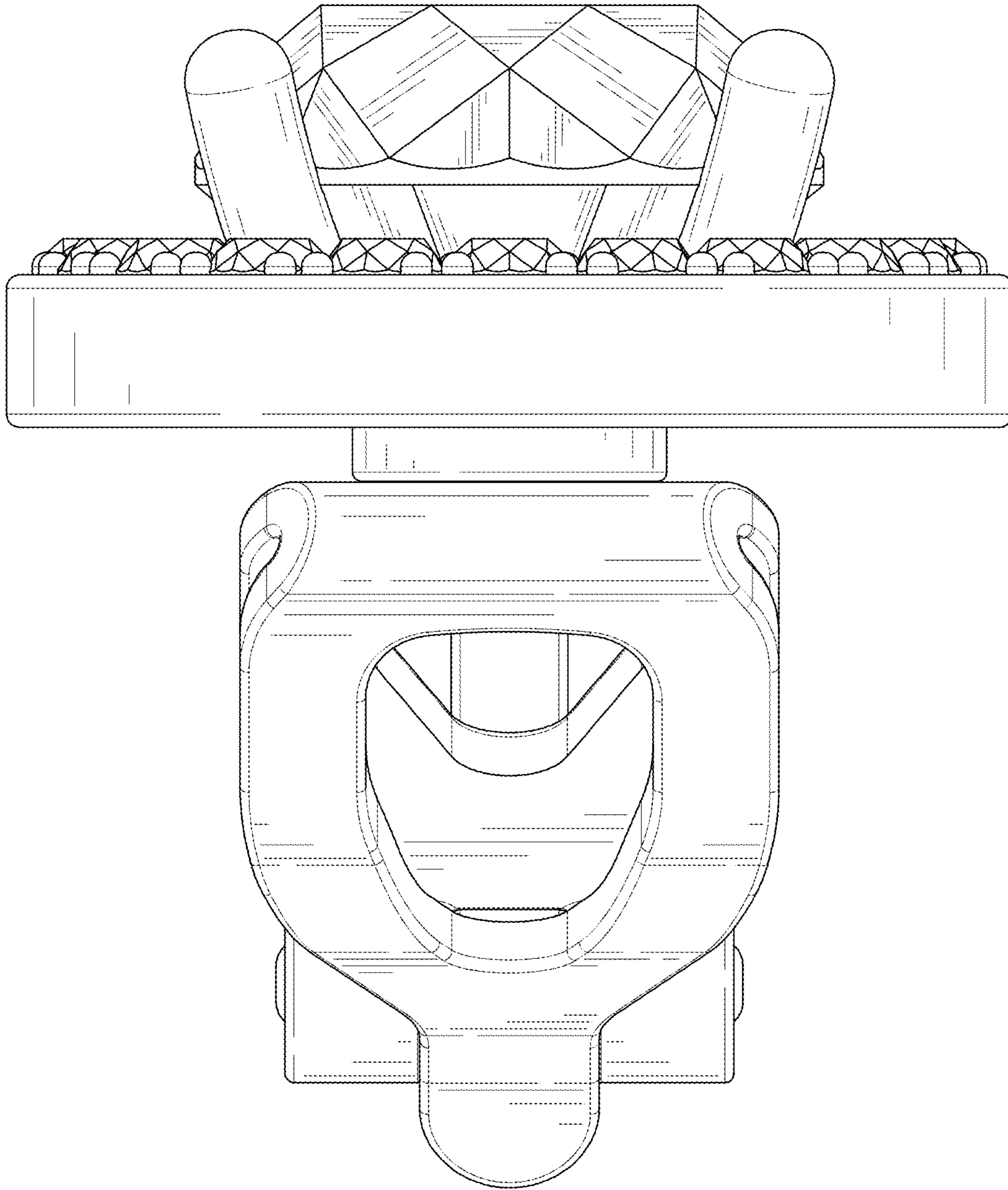


FIG. 3

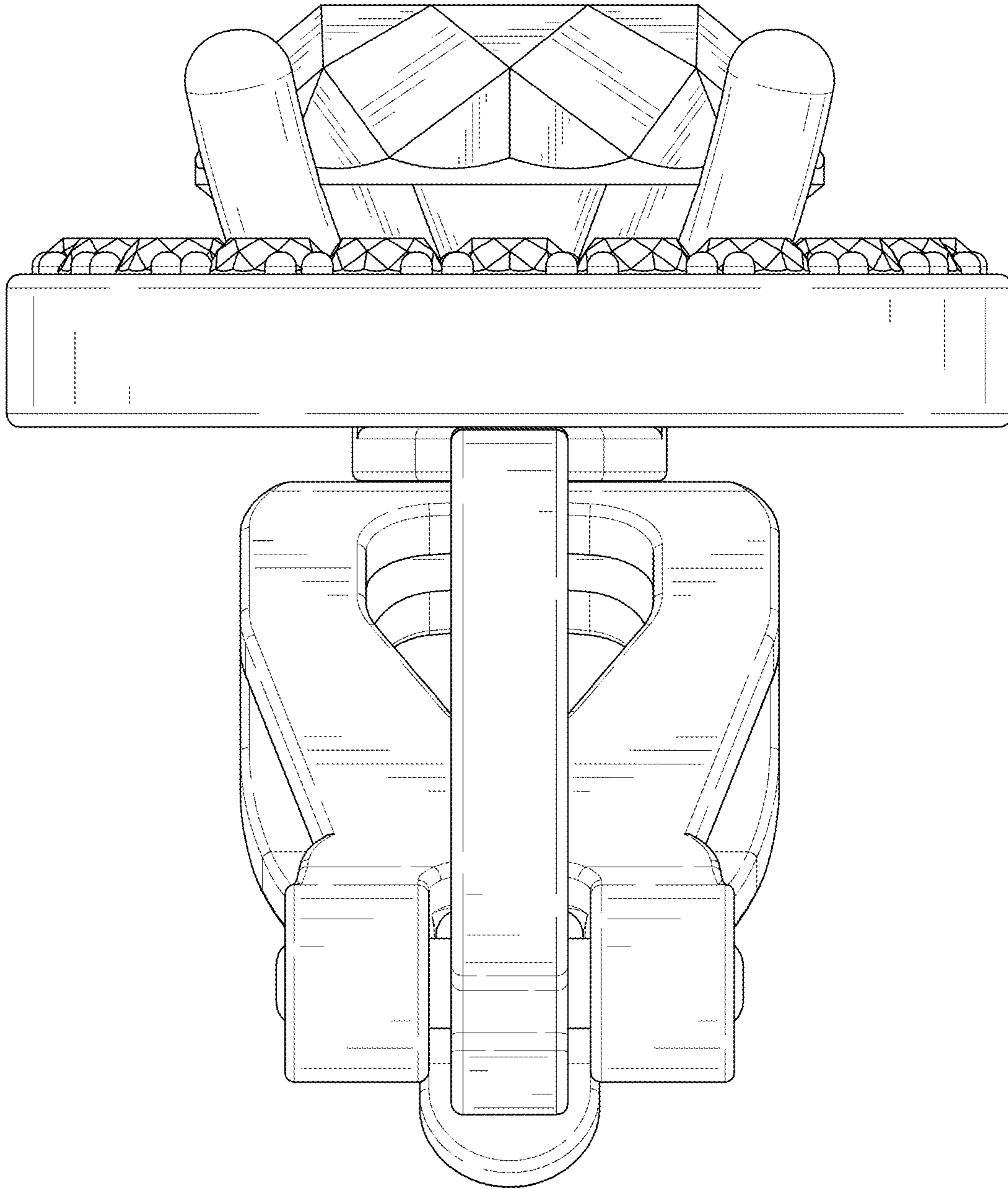


FIG. 4

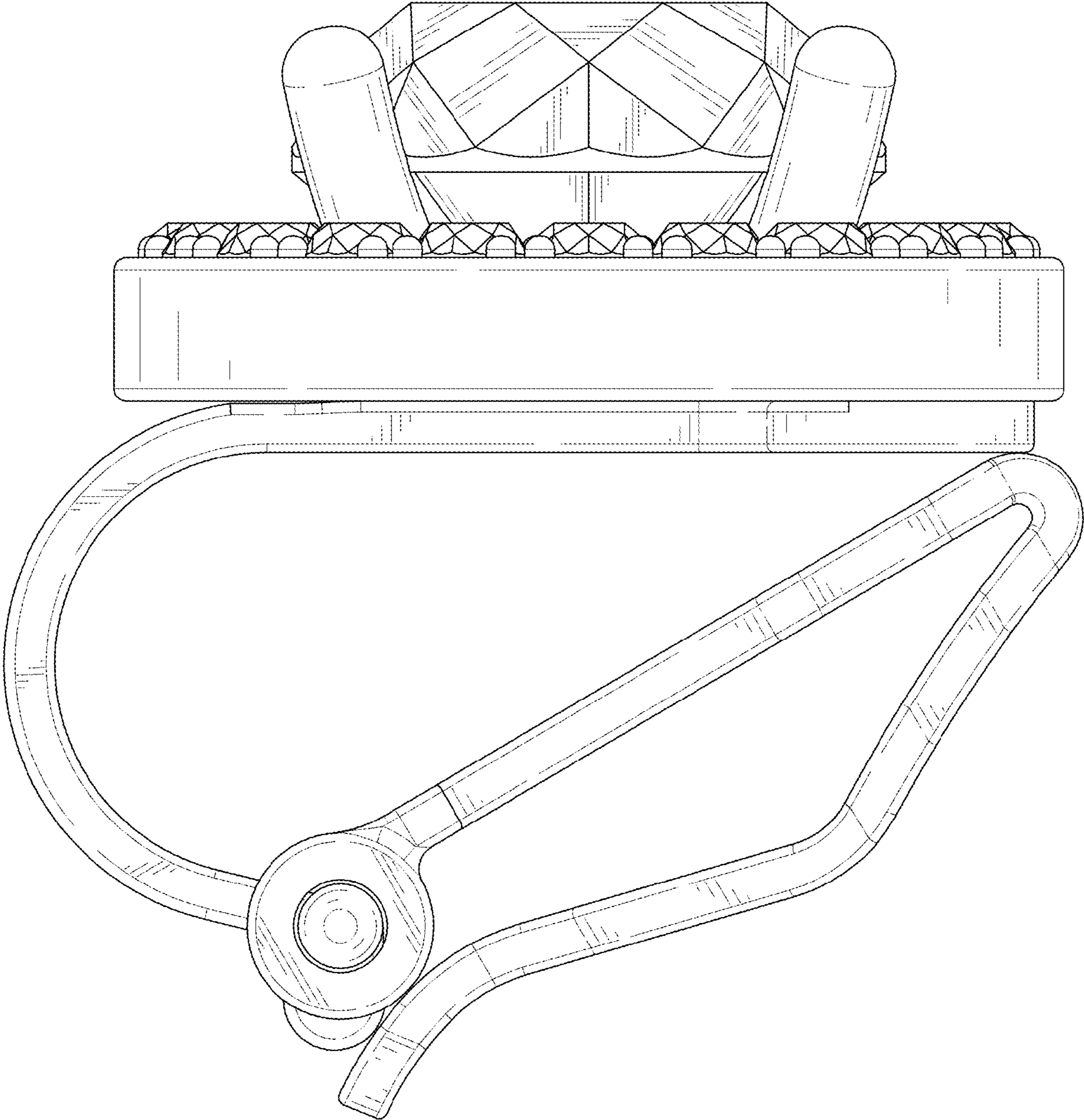


FIG. 5

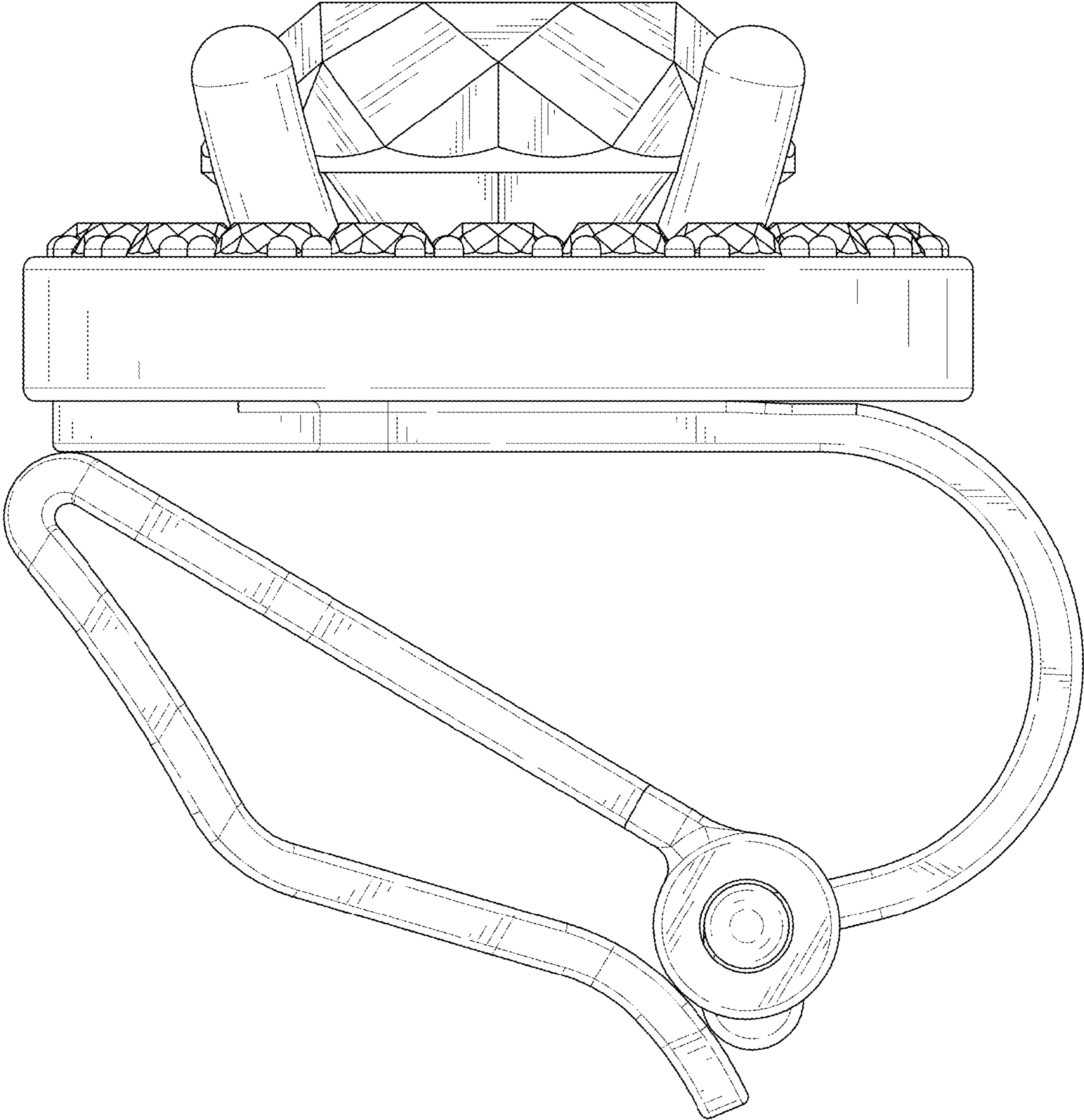


FIG. 6

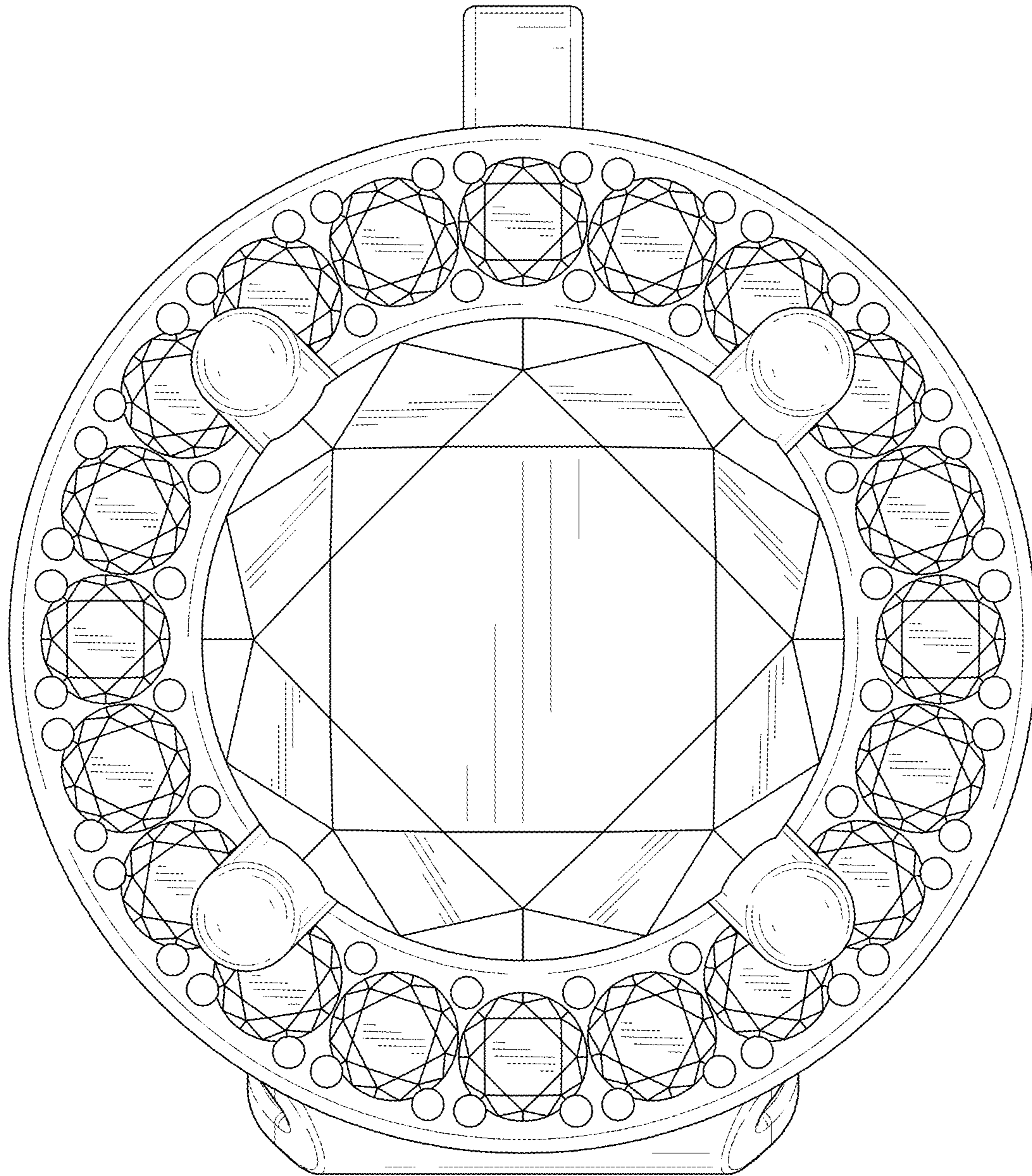


FIG. 7

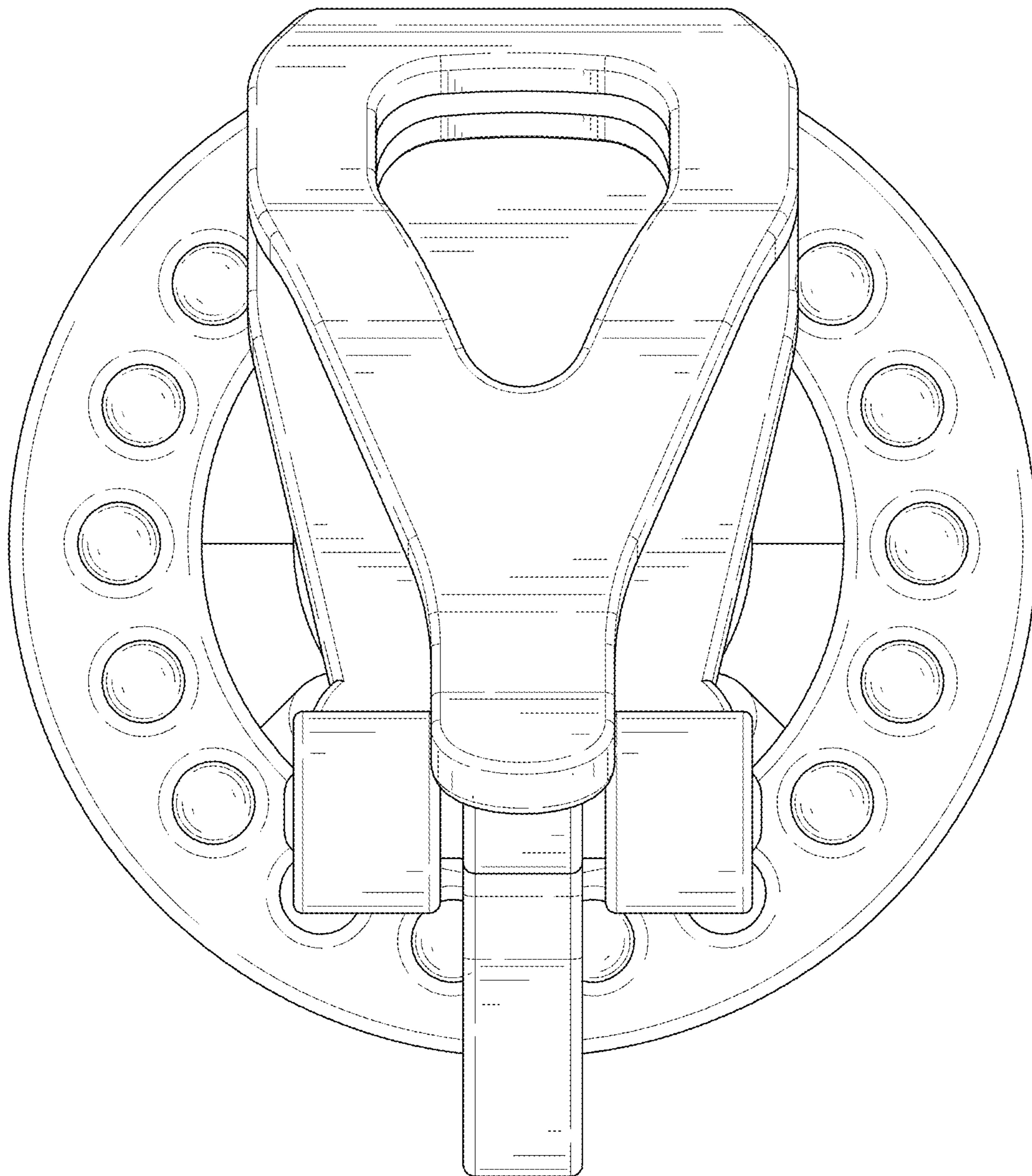


FIG. 8