



US00D893335S

(12) **United States Design Patent**  
**Hsu**

(10) **Patent No.:** **US D893,335 S**  
(45) **Date of Patent:** **\*\* Aug. 18, 2020**

(54) **DOORBELL WITH INTEGRATED CAMERA**

(71) Applicant: **AMBIT MICROSYSTEMS**  
**(SHANGHAI) LTD.**, Shanghai (CN)

(72) Inventor: **Yi-Heng Hsu**, New Taipei (TW)

(73) Assignee: **AMBIT MICROSYSTEMS**  
**(SHANGHAI) LTD.**, Shanghai (CN)

(\*\*) Term: **15 Years**

(21) Appl. No.: **29/677,420**

(22) Filed: **Jan. 20, 2019**

(51) **LOC (12) Cl.** ..... **10-05**

(52) **U.S. Cl.**  
USPC ..... **D10/118.2**

(58) **Field of Classification Search**  
USPC ..... D10/118.2; D16/203; D13/119  
See application file for complete search history.

(56) **References Cited**

**U.S. PATENT DOCUMENTS**

D793,268 S	8/2017	Ye	
D801,843 S	11/2017	Siminoff	
D828,201 S *	9/2018	Jeong	D10/118.2
D830,872 S *	10/2018	Jacob	D10/118.2
D836,147 S *	12/2018	Rao	D16/203
D848,891 S *	5/2019	Paredes	D10/118.2
D850,314 S *	6/2019	Laurans	D10/118.2
D850,315 S *	6/2019	Laurans	D10/118.2
D853,264 S *	7/2019	Laurans	D10/118.2
D857,629 S *	8/2019	Taheri	D13/119
D859,200 S *	9/2019	Siminoff	D10/118.2
D860,848 S *	9/2019	Park	D10/118.2
D866,379 S *	11/2019	Siminoff	D10/118.2

D870,587 S *	12/2019	Siminoff	D10/118.2
D871,483 S *	12/2019	Chang	D16/203
D874,536 S *	2/2020	Park	D16/203
D879,640 S *	3/2020	Jacob	D10/118.2

**FOREIGN PATENT DOCUMENTS**

CN	301498734	3/2011
CN	301882844	4/2012
CN	303106808	2/2015
JP	1597019	2/2018
JP	1614469	9/2018
TW	D170846	10/2015
TW	D194441	12/2018

\* cited by examiner

*Primary Examiner* — George D. Kirschbaum

(74) *Attorney, Agent, or Firm* — ScienBiziP, P.C.

(57) **CLAIM**

The ornamental design for a doorbell with integrated camera, as shown and described.

**DESCRIPTION**

FIG. 1 is a front elevational view of the doorbell with integrated camera;

FIG. 2 is a rear elevational view thereof;

FIG. 3 is a left side elevational view thereof;

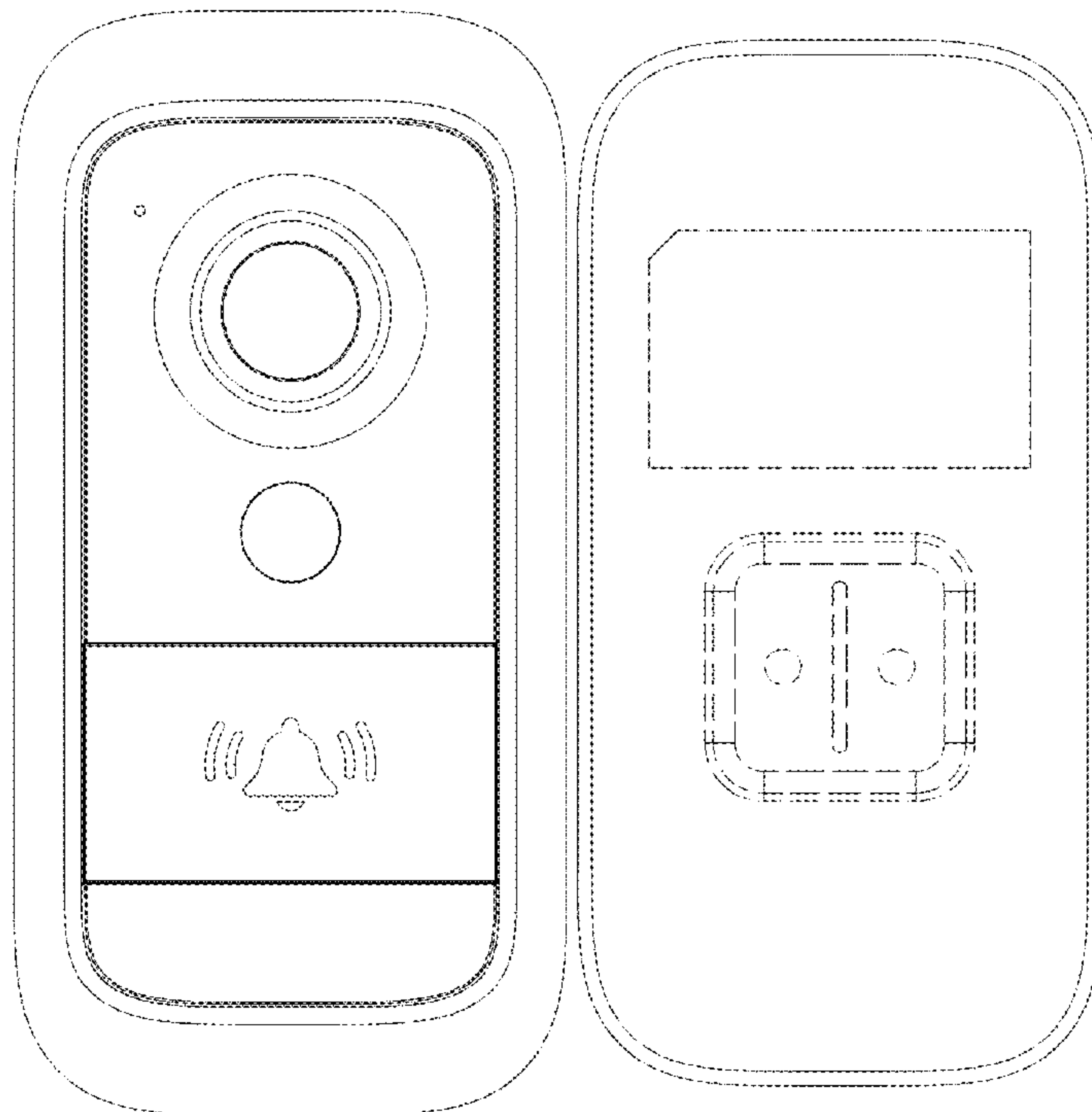
FIG. 4 is a right side elevational view thereof;

FIG. 5 is a top plan view thereof; and,

FIG. 6 is a bottom plan view thereof.

The broken line showing is included for the purpose of illustrating portions of the article and forms no part of the claimed design.

**1 Claim, 6 Drawing Sheets**



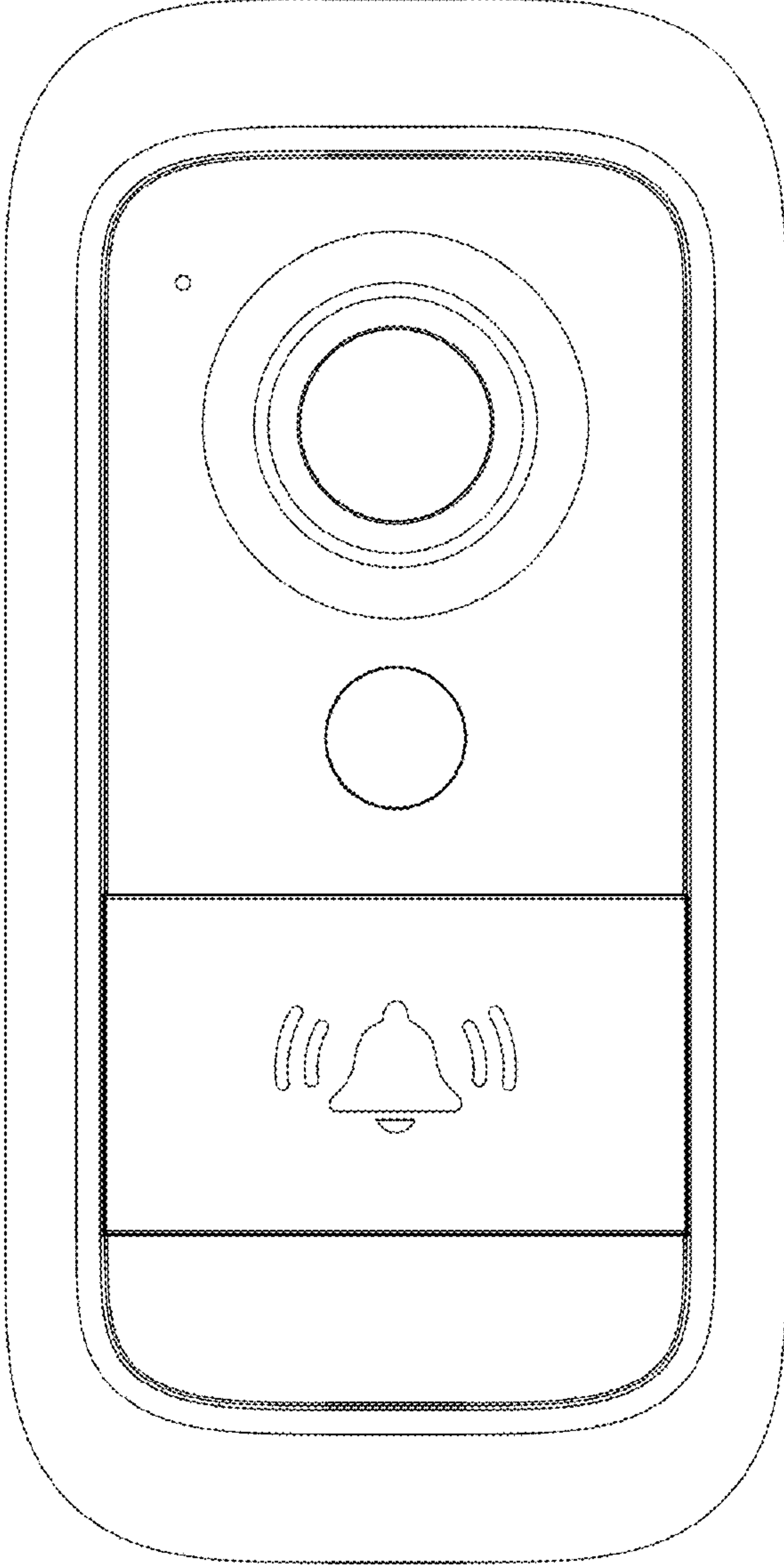


FIG. 1

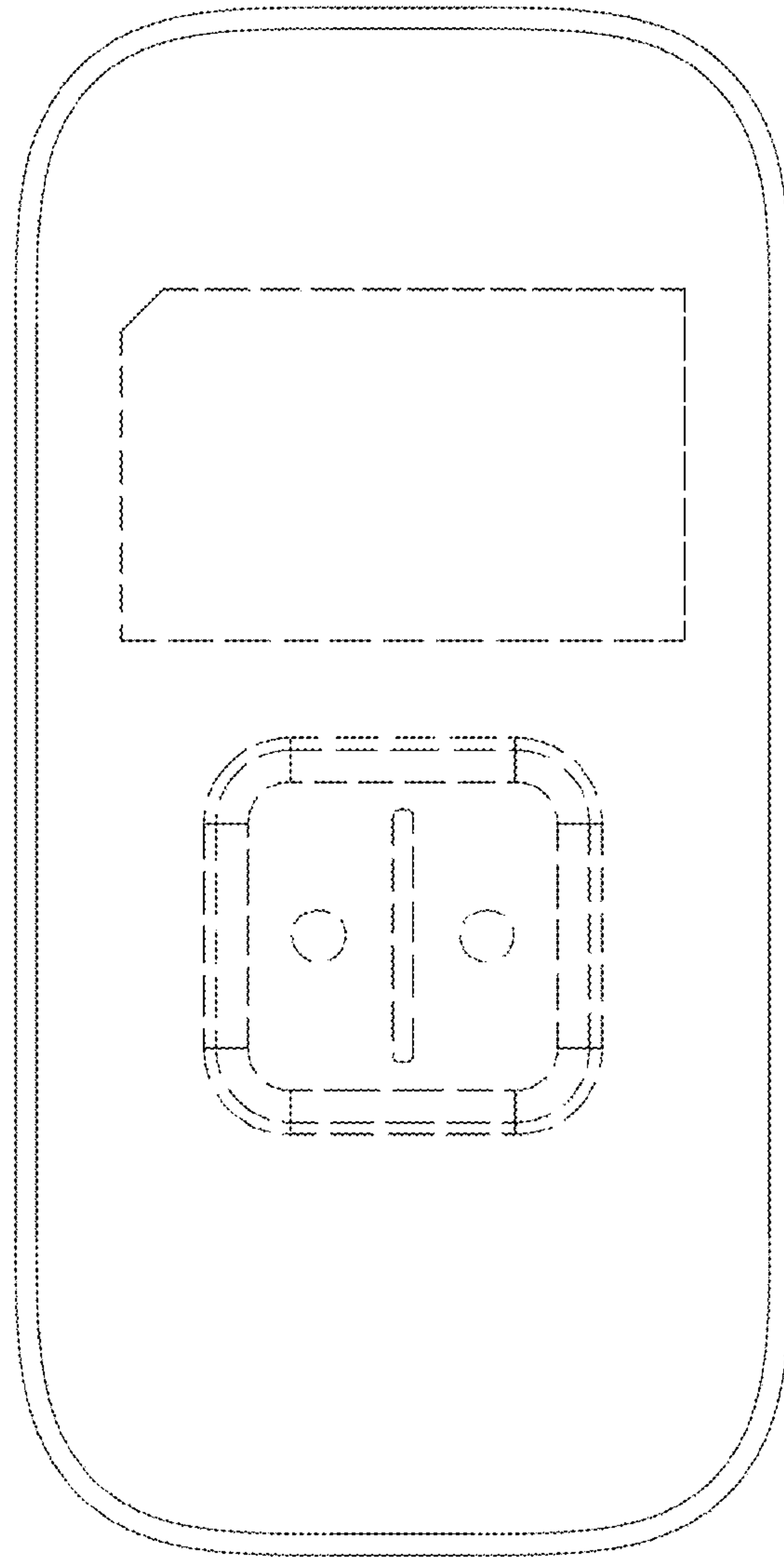


FIG. 2

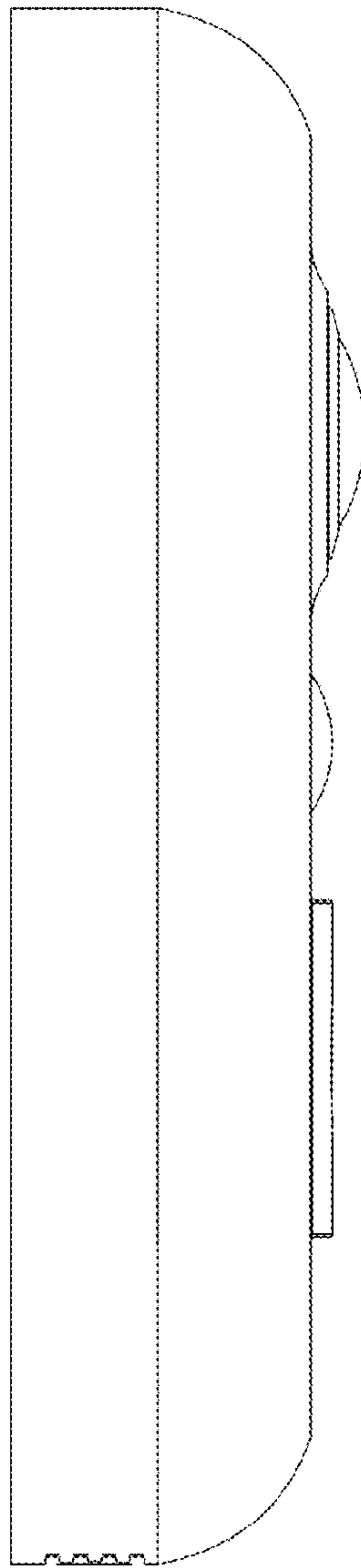


FIG. 3

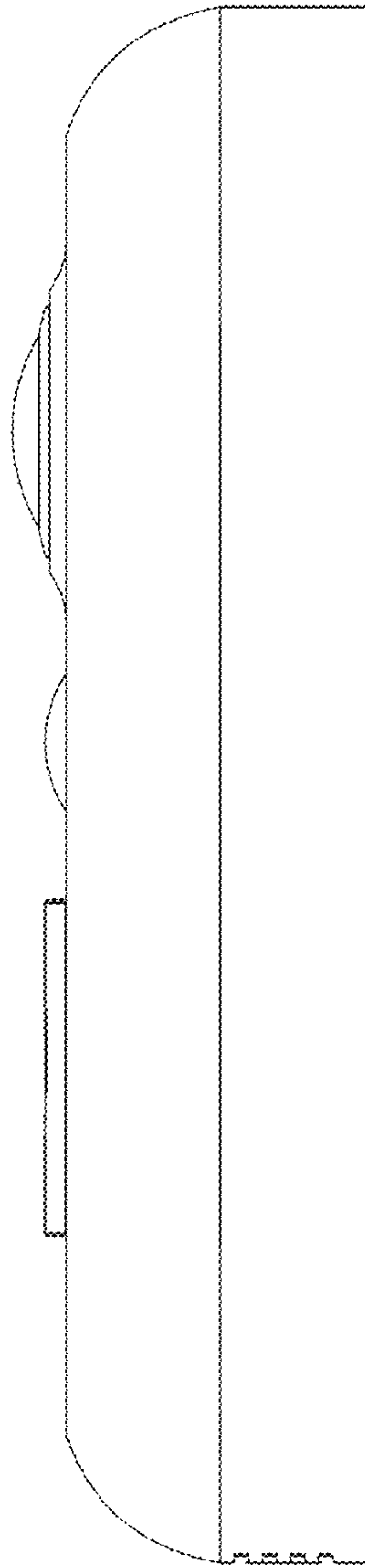


FIG. 4

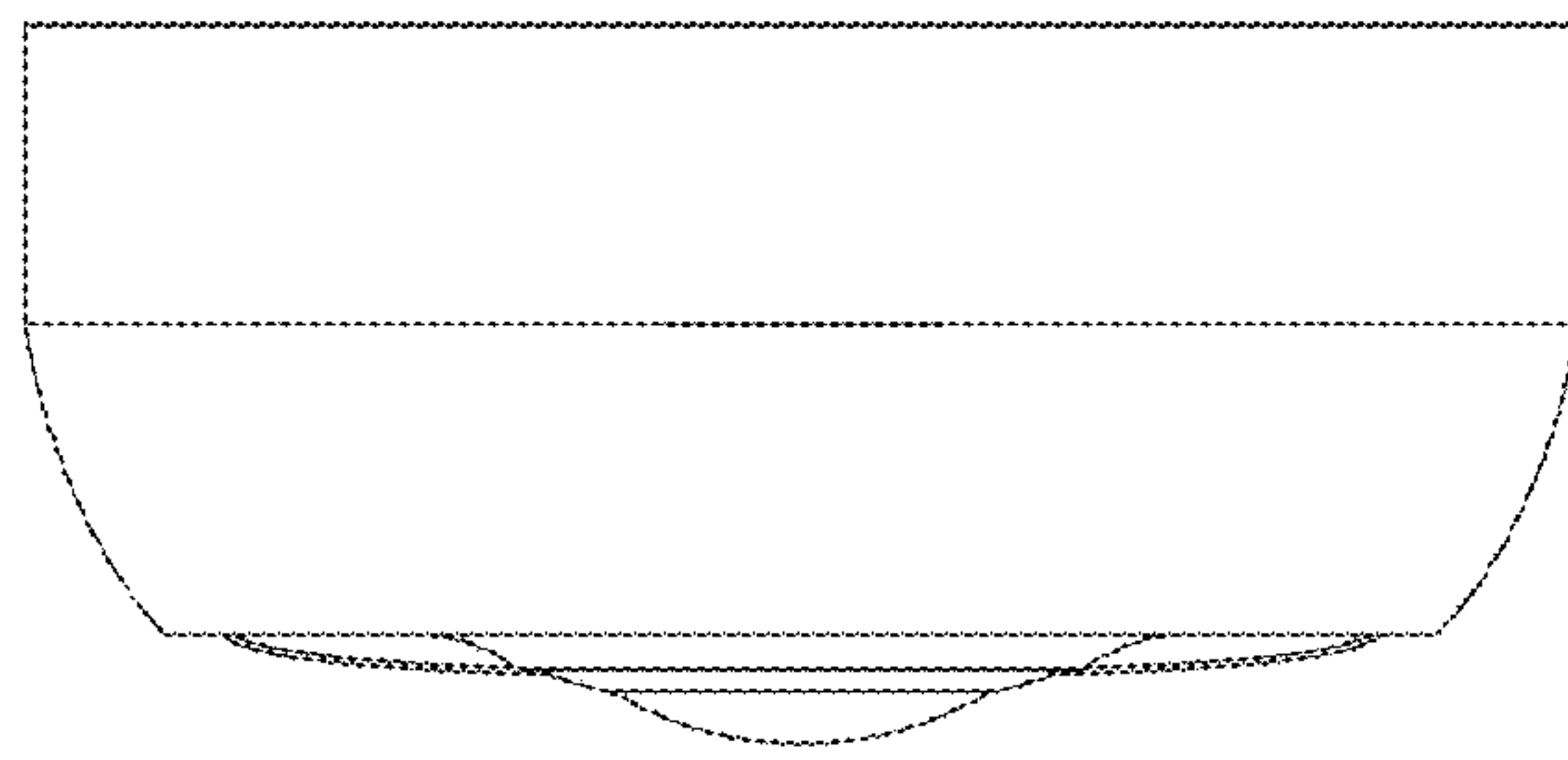


FIG. 5

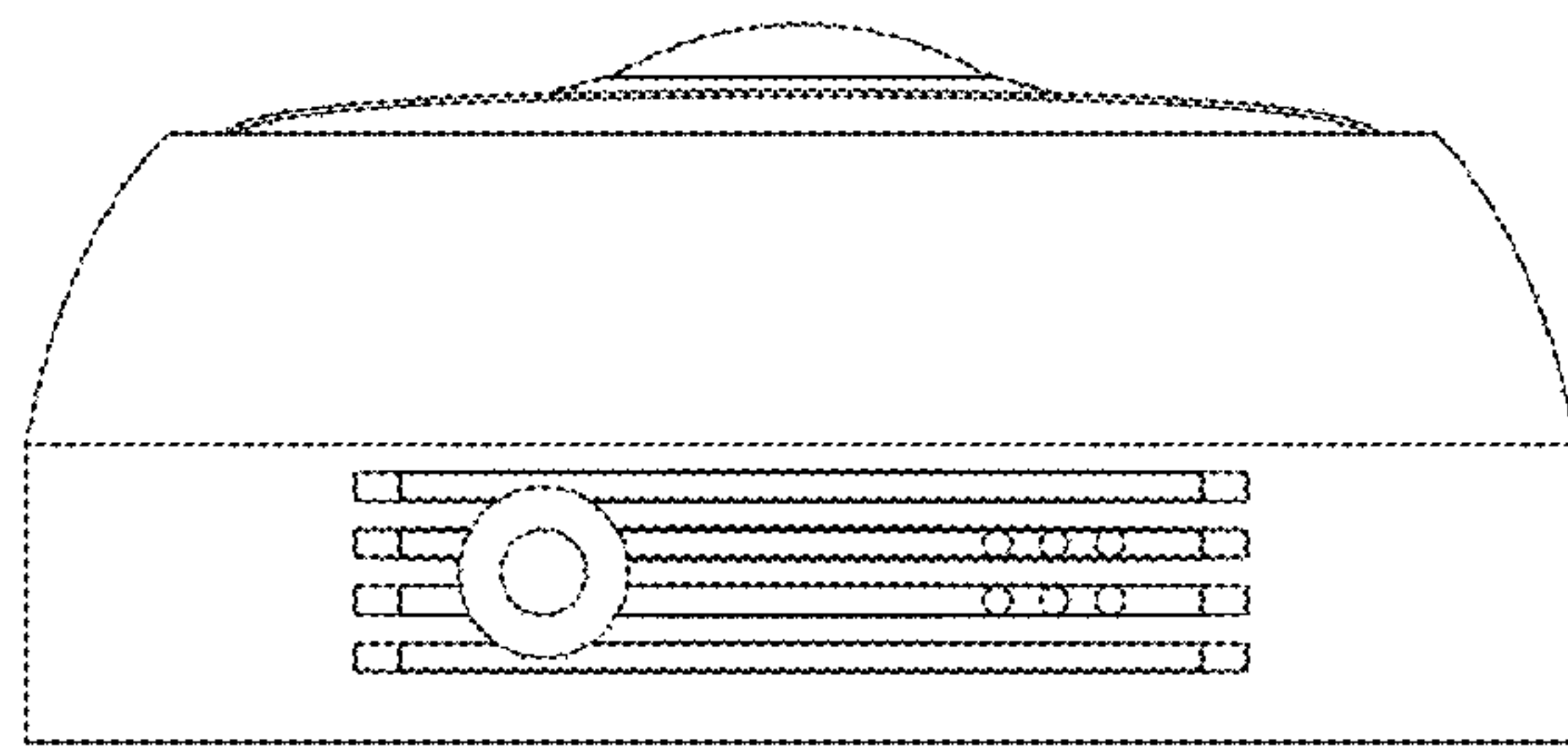


FIG. 6