



US00D893333S

(12) **United States Design Patent**
Lyons et al.

(10) **Patent No.:** **US D893,333 S**
(45) **Date of Patent:** **** Aug. 18, 2020**

- (54) **LIGHTBAR ENCLOSURE**
- (71) Applicant: **Whelen Engineering Company, Inc.**,
Chester, CT (US)
- (72) Inventors: **Jon H. Lyons**, Haddam, CT (US);
William J. Pokorny, East Haddam, CT
(US)
- (73) Assignee: **Whelen Engineering Company, Inc.**,
Chester, CT (US)
- (**) Term: **15 Years**
- (21) Appl. No.: **29/702,364**
- (22) Filed: **Aug. 19, 2019**

Related U.S. Application Data

- (62) Division of application No. 29/622,869, filed on Oct. 20, 2017, now Pat. No. Des. 870,585.
- (51) **LOC (12) Cl.** **10-05**
- (52) **U.S. Cl.**
USPC **D10/114.4**
- (58) **Field of Classification Search**
USPC D10/114.4; D26/76, 28
CPC F21V 17/06; F21S 43/255; B60Q 1/2611
See application file for complete search history.

References Cited

U.S. PATENT DOCUMENTS

- D432,038 S * 10/2000 Sasaki D10/114.4
- D432,444 S * 10/2000 Sasaki D10/114.4
- D631,771 S * 2/2011 Kuo D10/114.4

- D667,746 S * 9/2012 Yu D10/114.4
- 8,944,654 B1 * 2/2015 Lyons B60Q 1/2611
362/11
- D741,209 S * 10/2015 Nishigaki D10/114.4
- D750,523 S * 3/2016 Yu D10/114.4
- 9,611,993 B2 * 4/2017 Olson F21S 43/255
- D787,358 S * 5/2017 Yu D10/114.4
- D800,367 S * 10/2017 Ladnier D26/76
- D832,125 S * 10/2018 Goltche D10/114.4
- D870,585 S * 12/2019 Lyons D10/114.4
- 10,598,371 B2 * 3/2020 Lyons F21V 17/06

* cited by examiner

Primary Examiner — George D. Kirschbaum

(74) *Attorney, Agent, or Firm* — Alix, Yale & Ristas,
LLP

(57) **CLAIM**

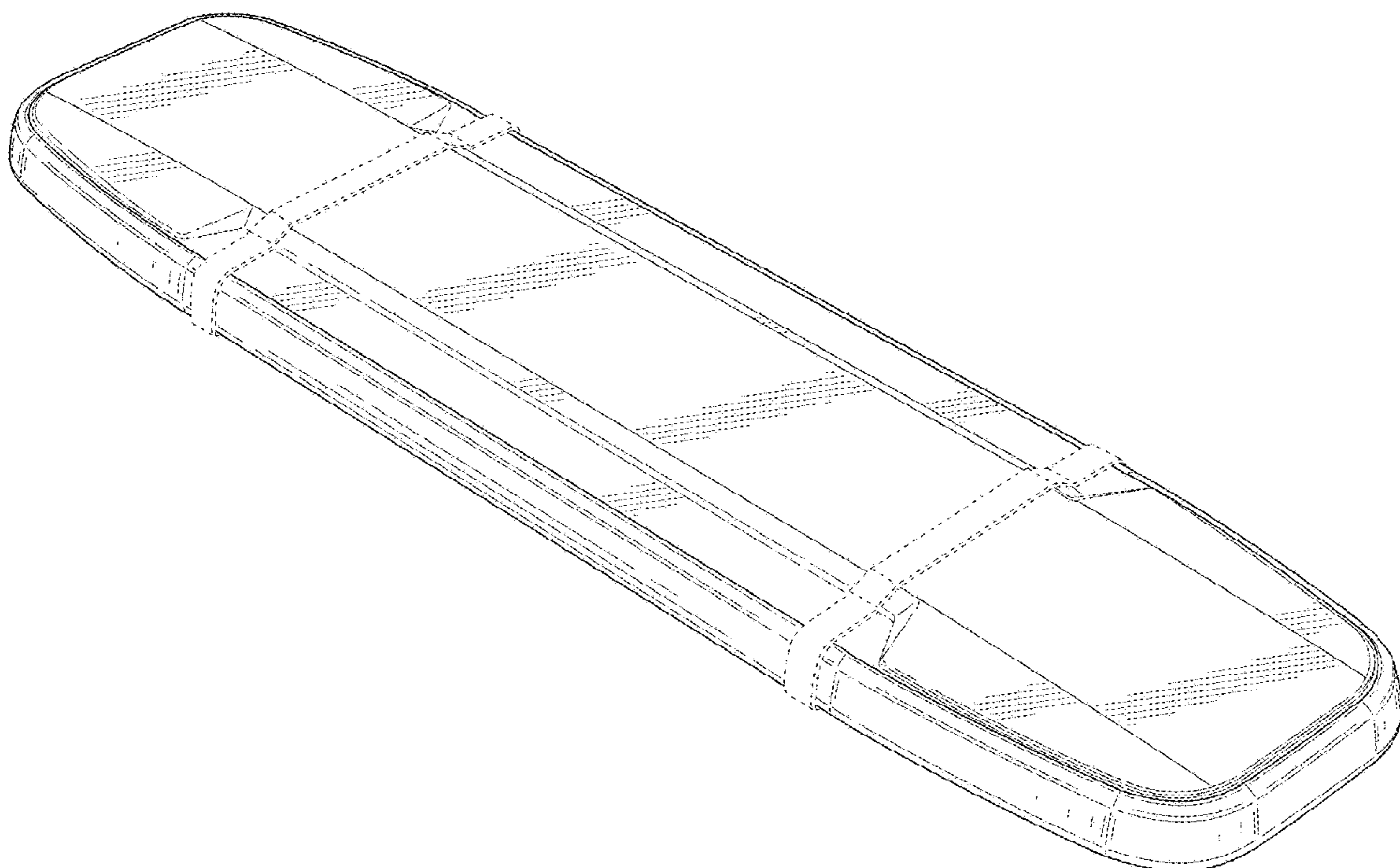
The ornamental design for the lightbar enclosure, as shown and described.

DESCRIPTION

FIG. 1 is a perspective view of an embodiment of a lightbar enclosure showing our new design;
 FIG. 2 is a front view of the lightbar enclosure of FIG. 1;
 FIG. 3 is a rear view of the lightbar enclosure of FIG. 1 which is a mirror image of the front view of FIG. 2;
 FIG. 4 is a left end view of the lightbar enclosure of FIG. 1;
 FIG. 5 is a right end view of the lightbar enclosure of FIG. 1 which is a mirror image of the left end view of FIG. 4;
 FIG. 6 is a top view, looking down at the lightbar enclosure of FIG. 1; and,
 FIG. 7 is a bottom view, looking up at the lightbar enclosure of FIG. 1.

No claim is made to the portions shown in broken lines.

1 Claim, 5 Drawing Sheets



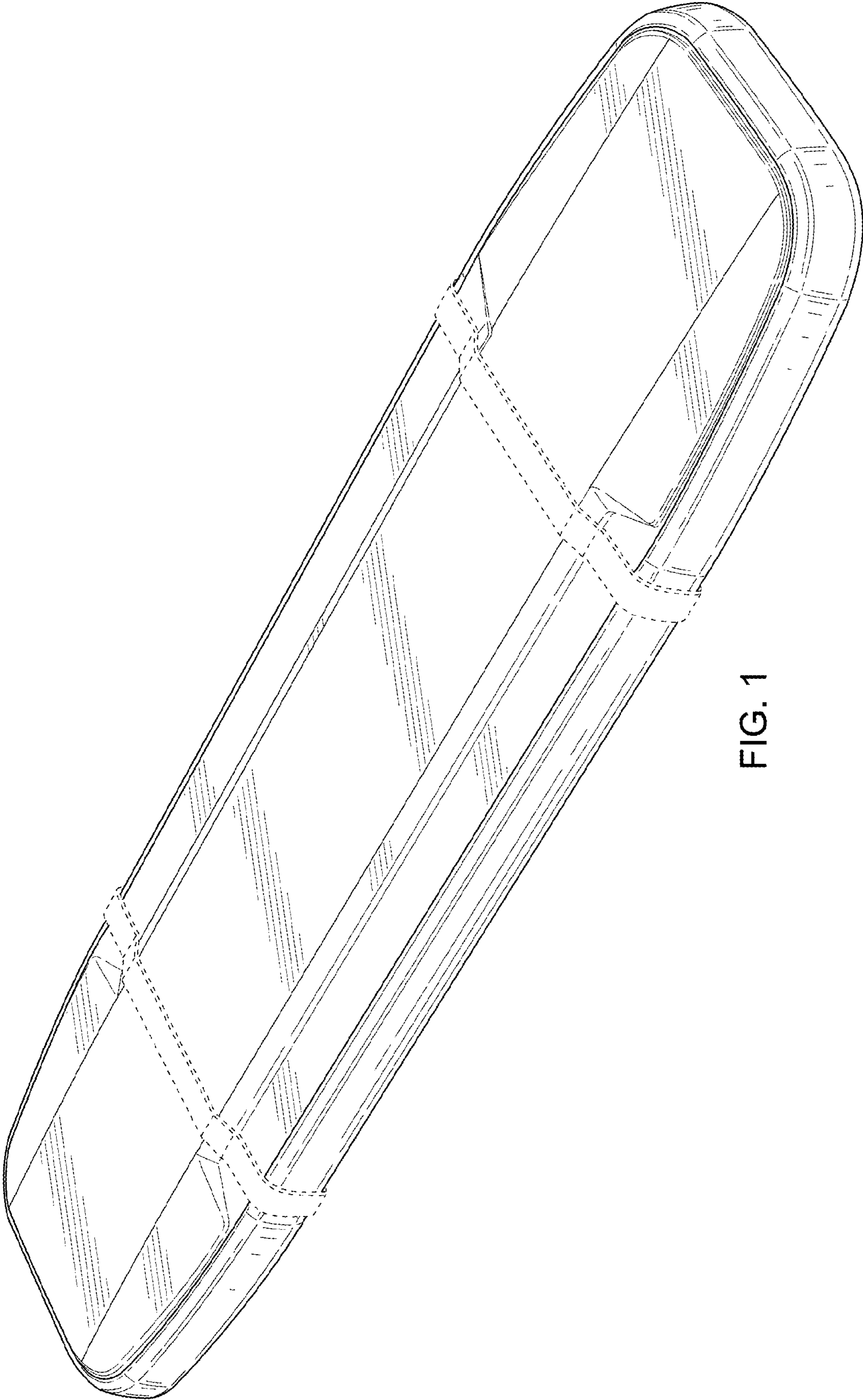


FIG. 1

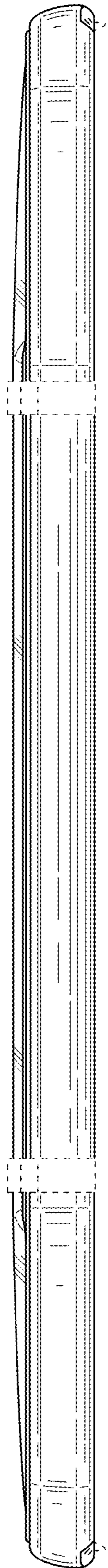


FIG. 2

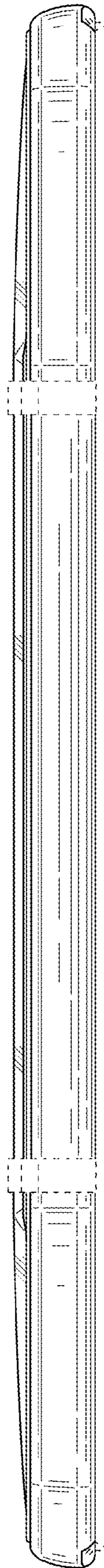


FIG. 3

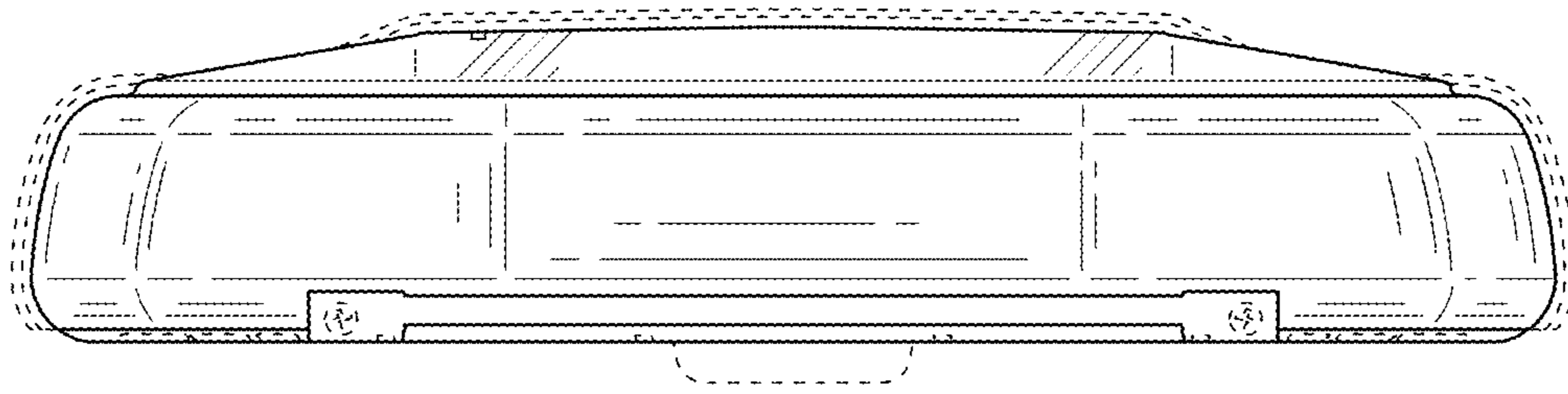


FIG. 4

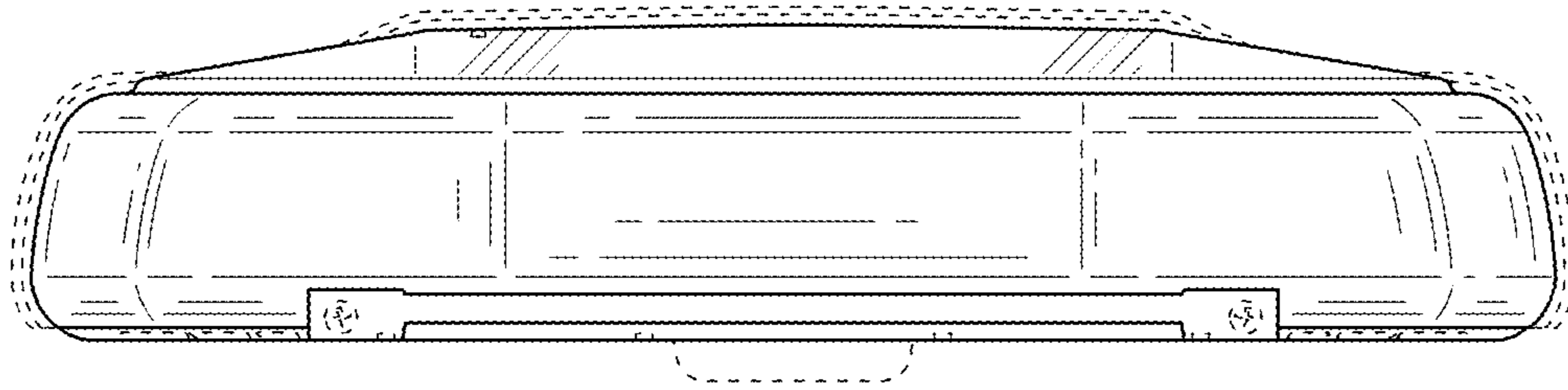


FIG. 5

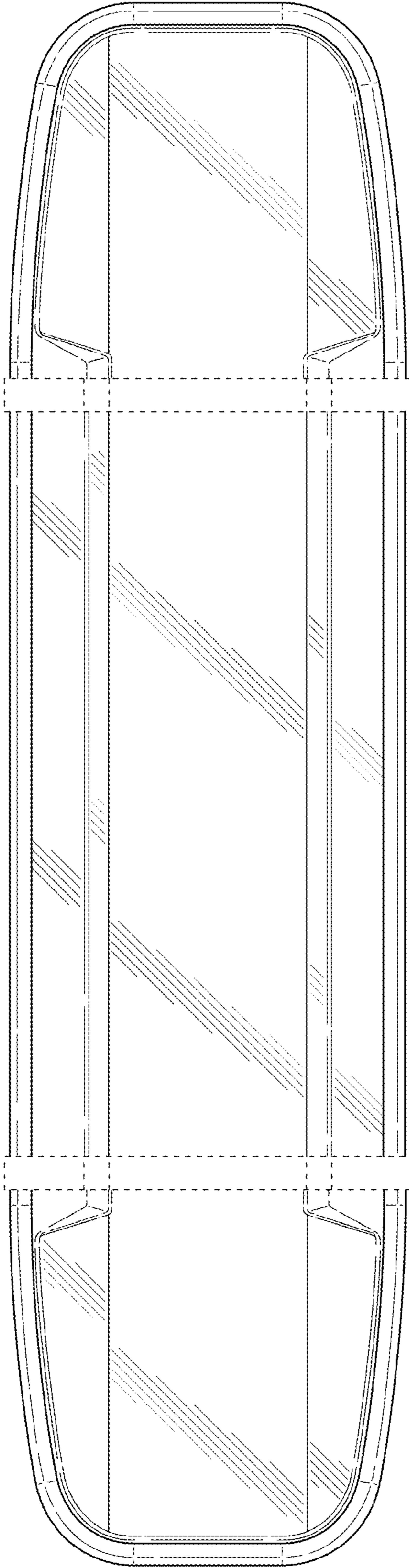


FIG. 6

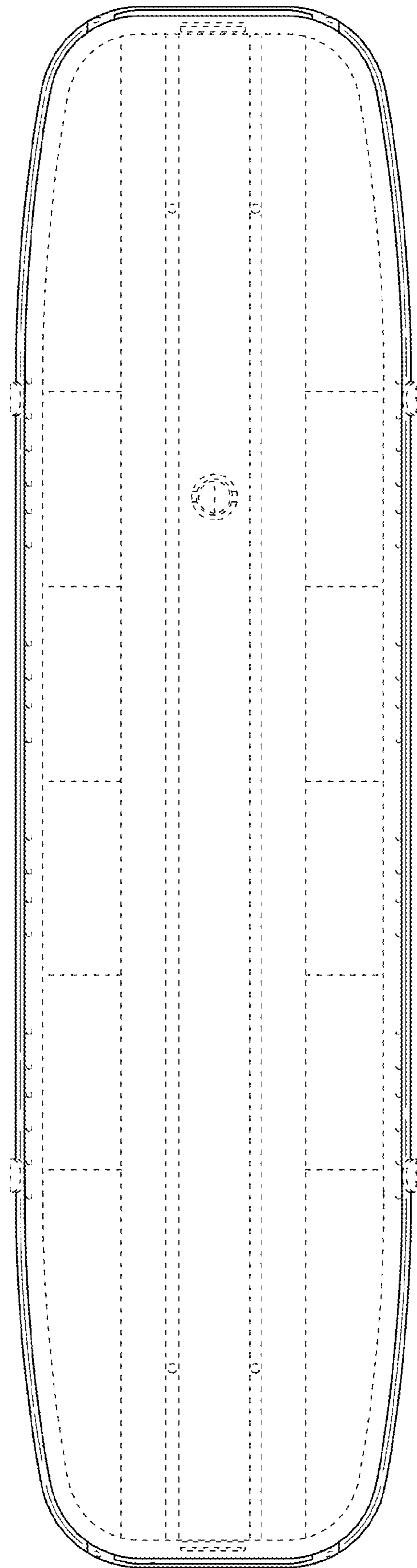


FIG. 7