



US00D893328S

(12) **United States Design Patent** (10) **Patent No.:** **US D893,328 S**  
**Konkle et al.** (45) **Date of Patent:** **\*\* Aug. 18, 2020**

(54) **TIRE GAUGE**

(71) Applicants: **Jeffery L. Konkle**, Chicago, IL (US);  
**Karolina Stus**, Chicago, IL (US)  
(72) Inventors: **Jeffery L. Konkle**, Chicago, IL (US);  
**Karolina Stus**, Chicago, IL (US)  
(73) Assignee: **MILTON INDUSTRIES, INC.**,  
Chicago, IL (US)

(\*\*) Term: **15 Years**

(21) Appl. No.: **29/678,570**

(22) Filed: **Jan. 30, 2019**

(51) **LOC (12) Cl.** ..... **10-04**

(52) **U.S. Cl.**  
USPC ..... **D10/83**

(58) **Field of Classification Search**  
USPC ..... D10/83  
CPC . B60C 23/0408; B60C 23/0494; G01L 7/043;  
G01L 7/00-7/24; G01L 13/00-13/06;  
G01L 15/00; G01L 17/00-17/005; G01L  
19/00-19/16; G01L 23/00-23/32; G01L  
27/00-23/02; G05D 16/00-16/2093;  
G05D 7/00-7/0694; G05D 11/00-11/16;  
G05D 13/00-13/66; G05D 23/00-23/32

See application file for complete search history.

(56) **References Cited**

U.S. PATENT DOCUMENTS

D573,052 S \* 7/2008 Chen ..... D10/86  
D808,834 S \* 1/2018 Chen ..... D10/86

\* cited by examiner

*Primary Examiner* — Antoine Duval Davis  
(74) *Attorney, Agent, or Firm* — Justin Lampel

(57) **CLAIM**

The ornamental design for a tire gauge, as shown and described.

**DESCRIPTION**

FIG. 1 is a perspective view of the tire gauge;  
FIG. 2 is a perspective view of the tire gauge;  
FIG. 3 is a front view of the tire gauge;  
FIG. 4 is a back view of the tire gauge;  
FIG. 5 is a side view of the tire gauge;  
FIG. 6 is a side view of the tire gauge;  
FIG. 7 is a top view of the tire gauge; and,  
FIG. 8 is a bottom view of the tire gauge.  
The broken line showing is for illustrative purposes only and forms no part of the claimed design.

**1 Claim, 6 Drawing Sheets**

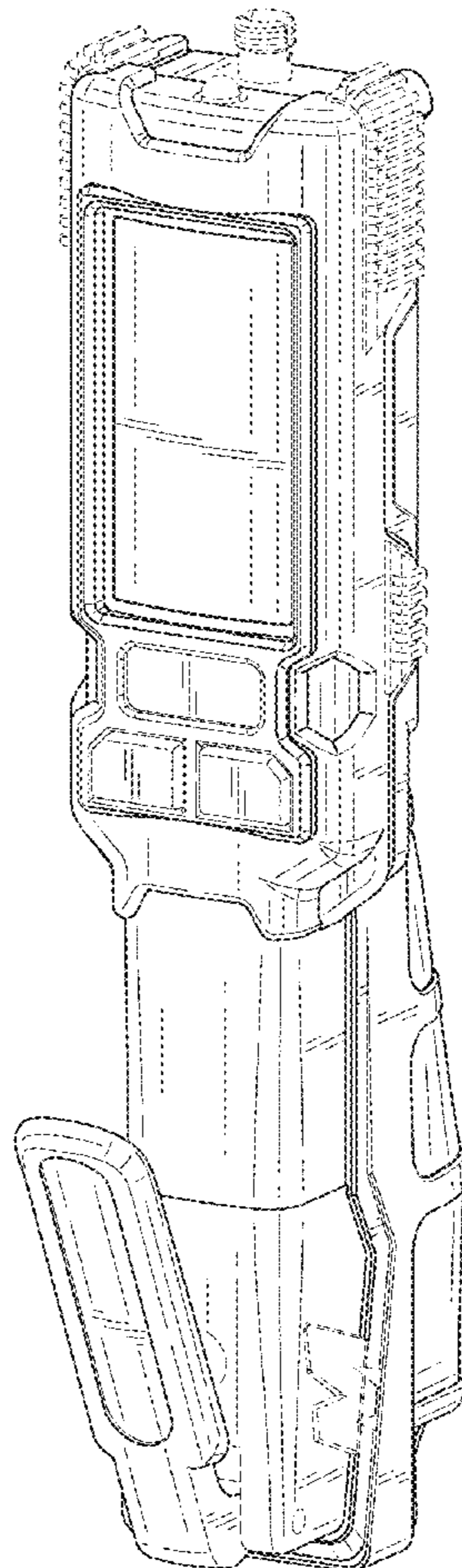
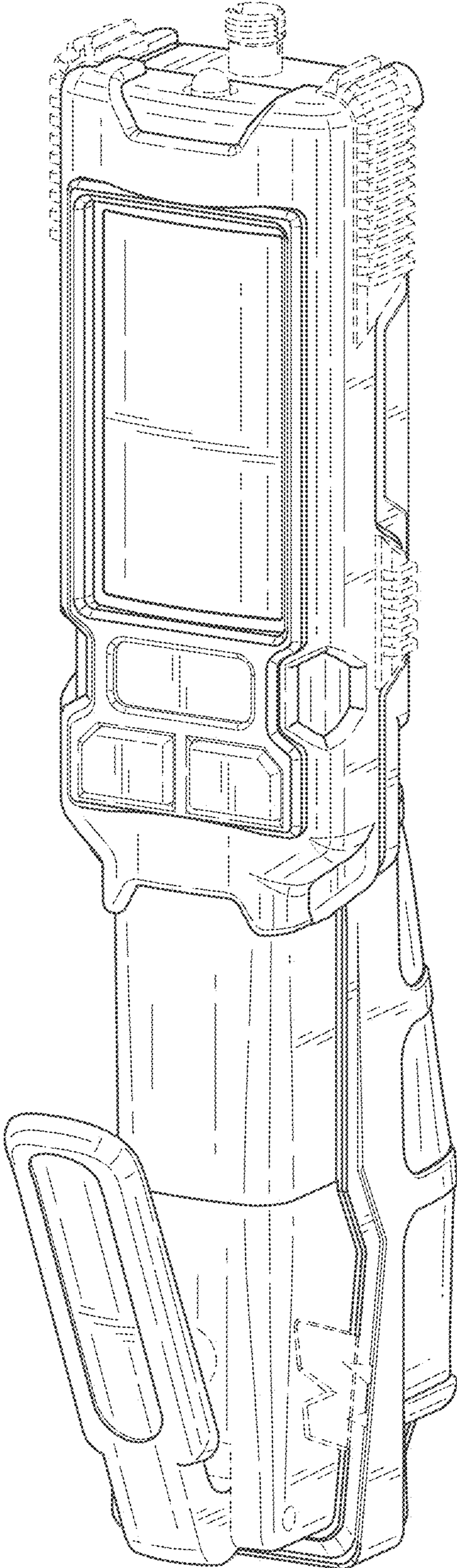


FIG. 1



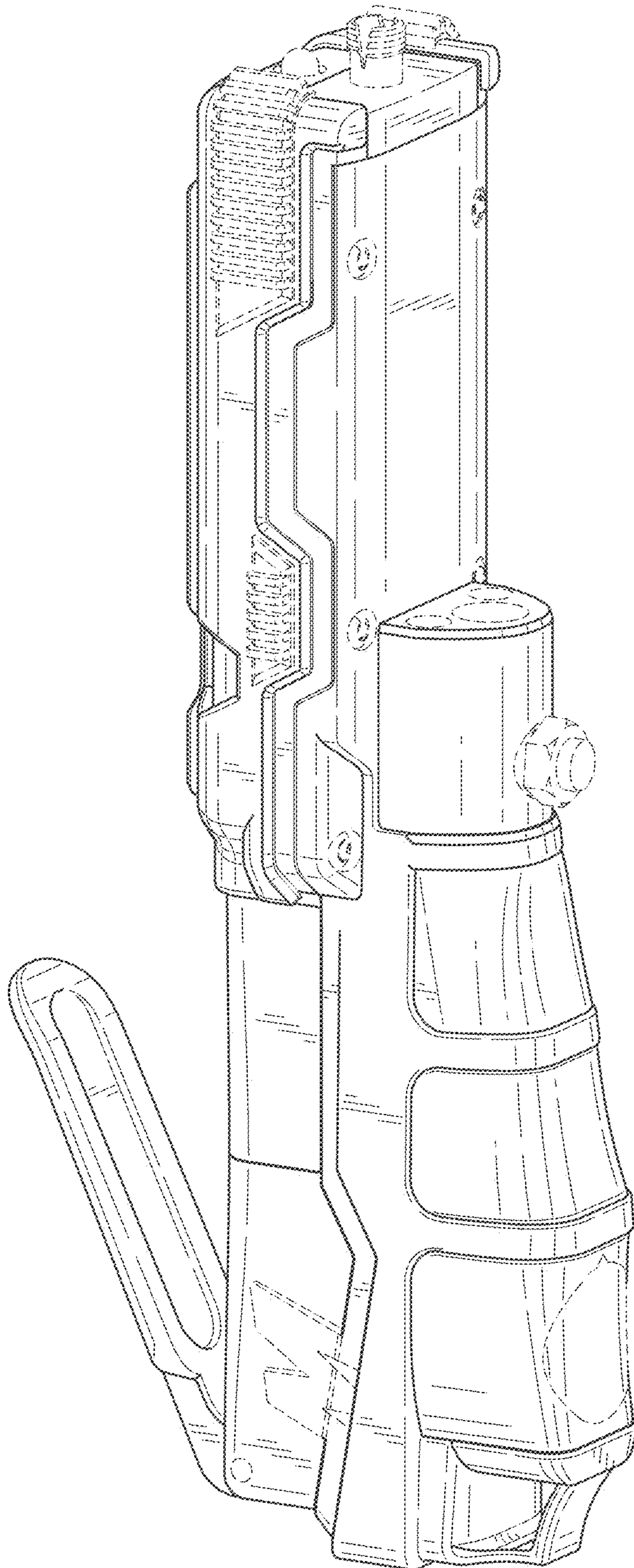


FIG. 2

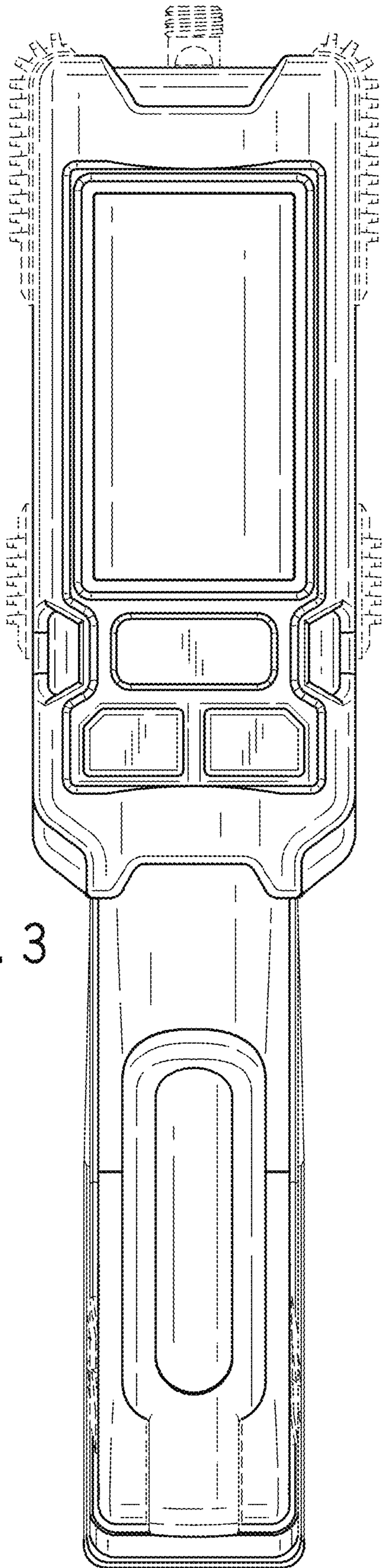


FIG. 3

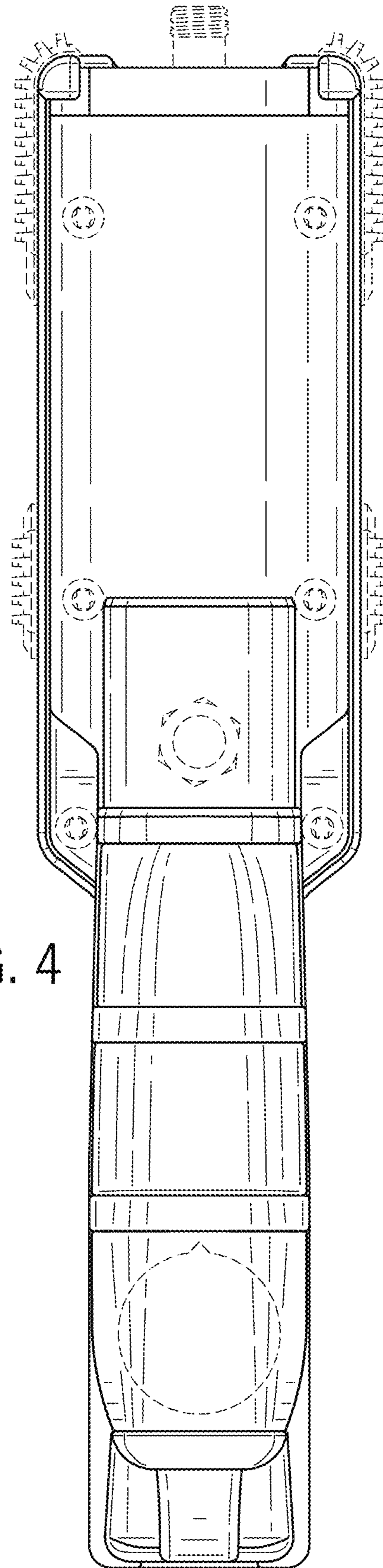


FIG. 4

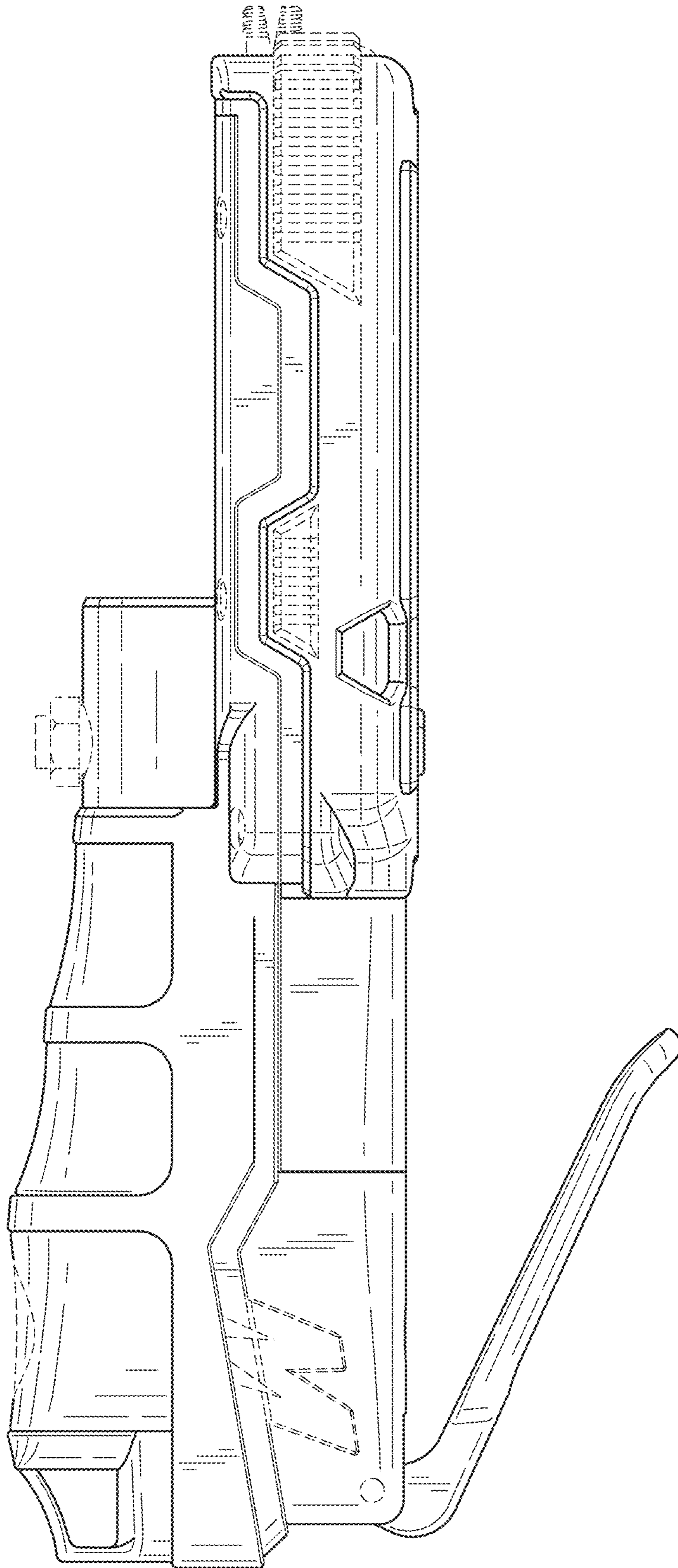


FIG. 5

FIG. 6

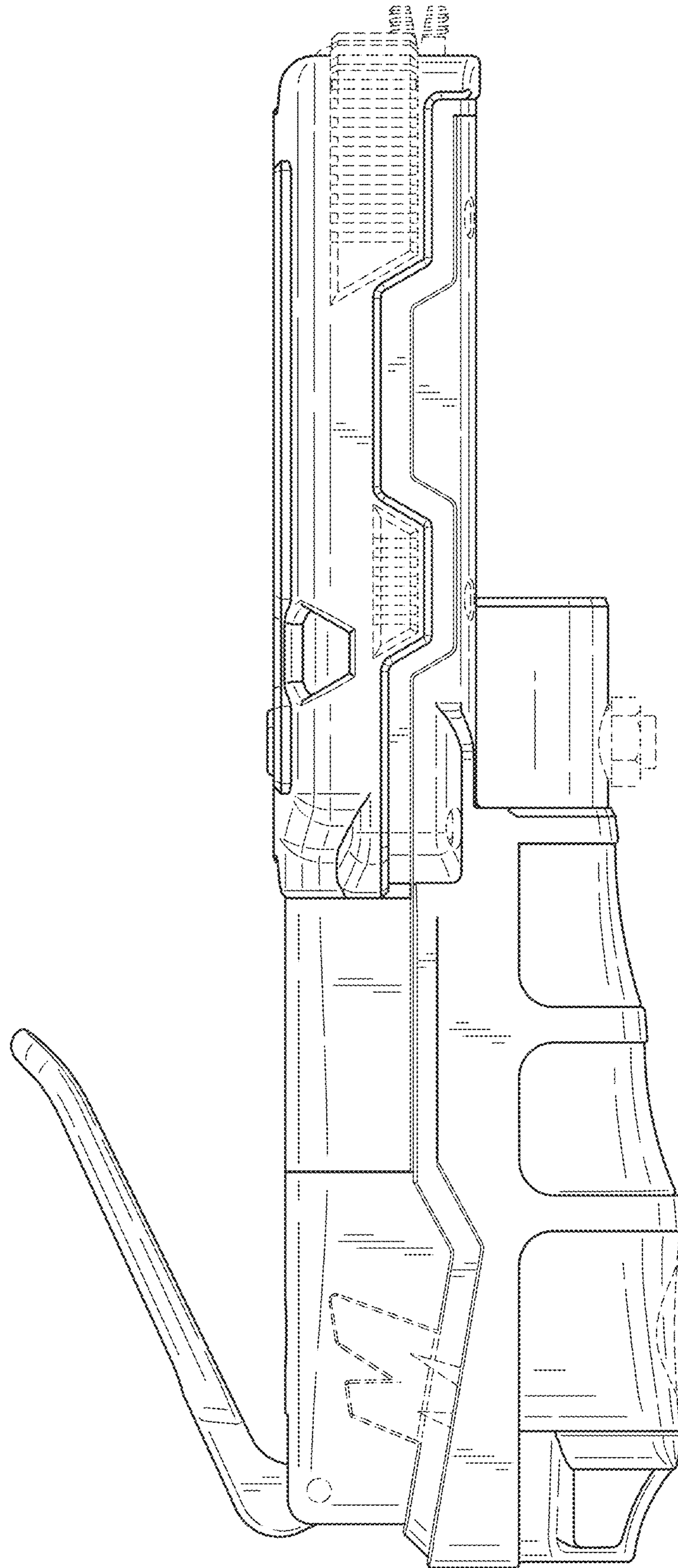


FIG. 7

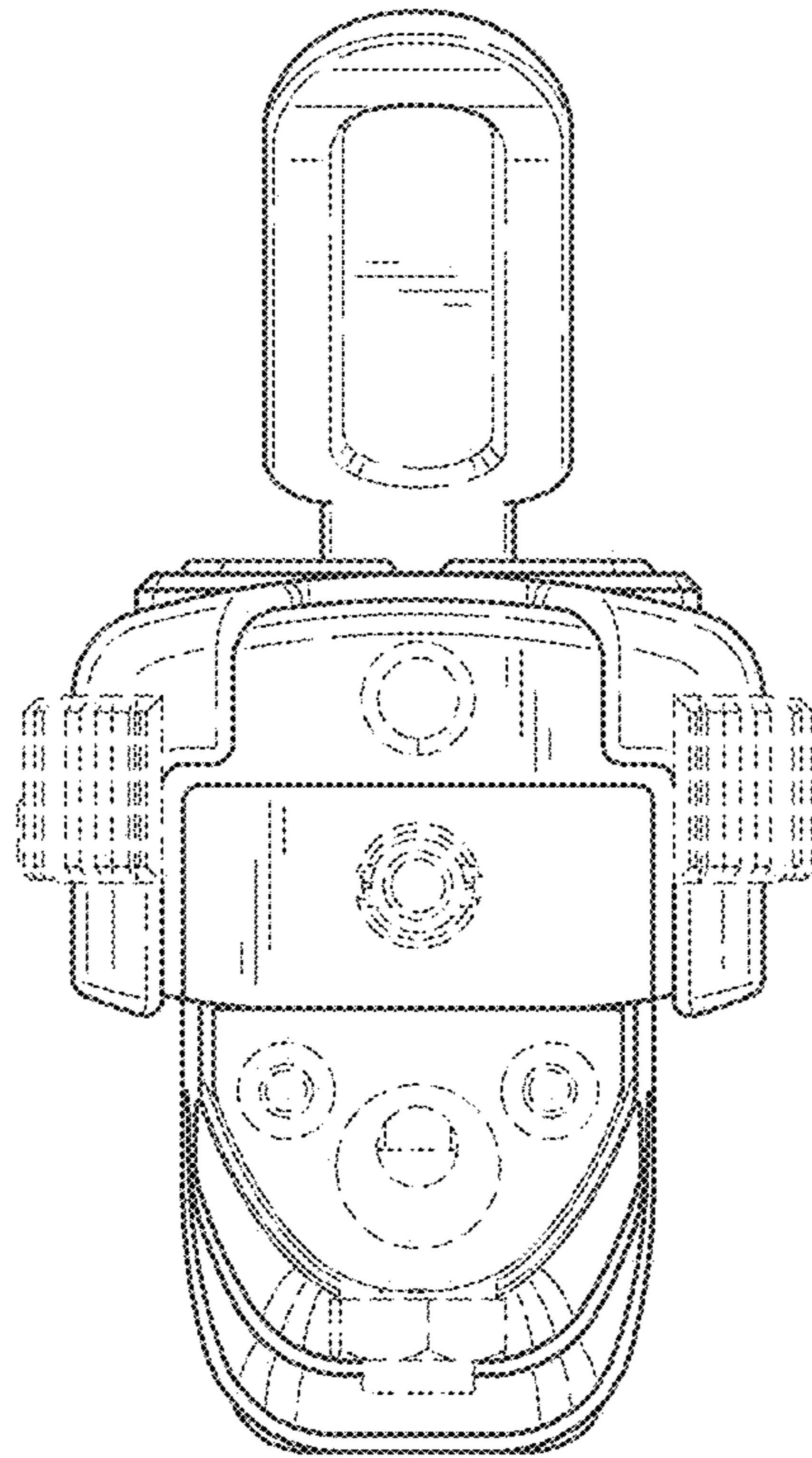


FIG. 8

