



US00D893327S

(12) **United States Design Patent**
Asano et al.

(10) **Patent No.:** **US D893,327 S**
(45) **Date of Patent:** **** Aug. 18, 2020**

(54) **MICROMETER**

FOREIGN PATENT DOCUMENTS

(71) Applicant: **MITUTOYO CORPORATION**,
Kawasaki, Kanagawa (JP)

JP D1189771 S 11/2003

(72) Inventors: **Yoshiro Asano**, Tokyo (JP); **Shigeru Ohtani**, Kanagawa (JP); **Tomomi Sakaguchi**, Hiroshima (JP)

OTHER PUBLICATIONS

Dec. 18, 2018 Decision to Grant issued in Japanese Application No. 2018-018673.

(73) Assignee: **MITUTOYO CORPORATION**,
Kawasaki (JP)

* cited by examiner

(**) Term: **15 Years**

Primary Examiner — Antoine Duval Davis

(21) Appl. No.: **29/676,230**

(74) *Attorney, Agent, or Firm* — Oliff PLC

(22) Filed: **Jan. 9, 2019**

(57) **CLAIM**

(30) **Foreign Application Priority Data**

The ornamental design for a micrometer, as shown and described.

Aug. 28, 2018 (JP) 2018-018673

(51) **LOC (12) Cl.** **10-04**

(52) **U.S. Cl.**
USPC **D10/73**

(58) **Field of Classification Search**
USPC D10/73
CPC G01B 3/18
See application file for complete search history.

DESCRIPTION

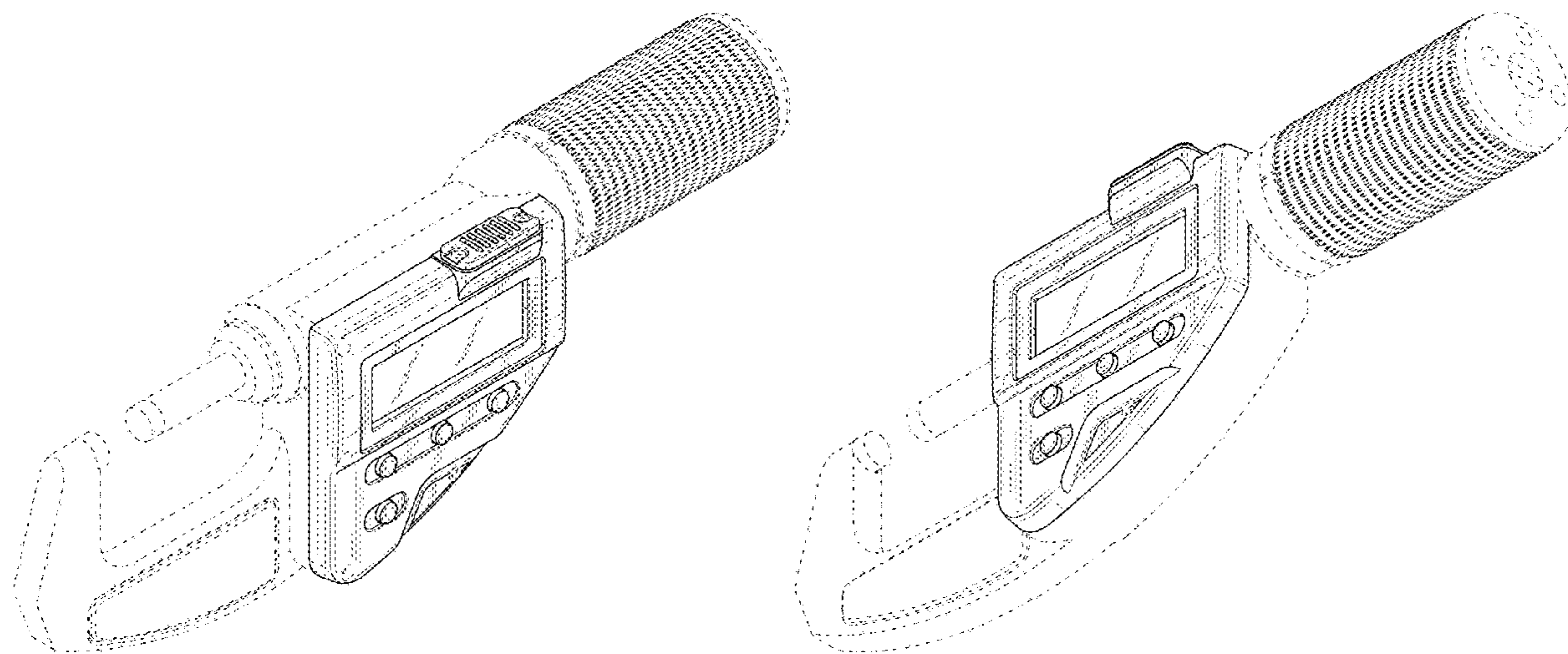
FIG. 1 is a front elevational view of the micrometer;
FIG. 2 is a rear elevational view thereof;
FIG. 3 is a right-side elevational view thereof;
FIG. 4 is a left-side elevational view thereof;
FIG. 5 is a top plan view thereof;
FIG. 6 is a bottom plan view thereof;
FIG. 7 is a front, left-side, top perspective view thereof; and,
FIG. 8 is a front, right-side, bottom perspective view thereof.
The broken lines depict portions of the micrometer that form no part of the claimed design.

(56) **References Cited**

U.S. PATENT DOCUMENTS

D611,371 S 3/2010 Ohtani et al.
D729,659 S * 5/2015 Asano D10/73
D740,142 S 10/2015 Zhang et al.
10,451,450 B2 * 10/2019 Niwano G01D 7/00

1 Claim, 7 Drawing Sheets



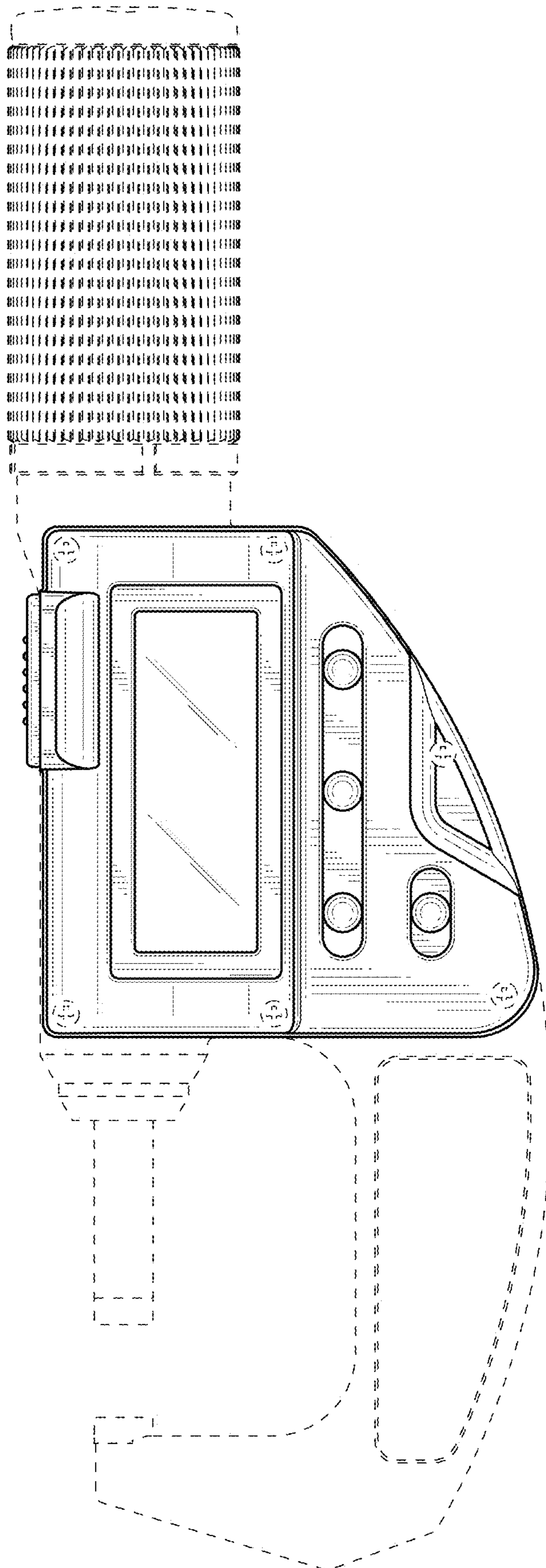


FIG. 1

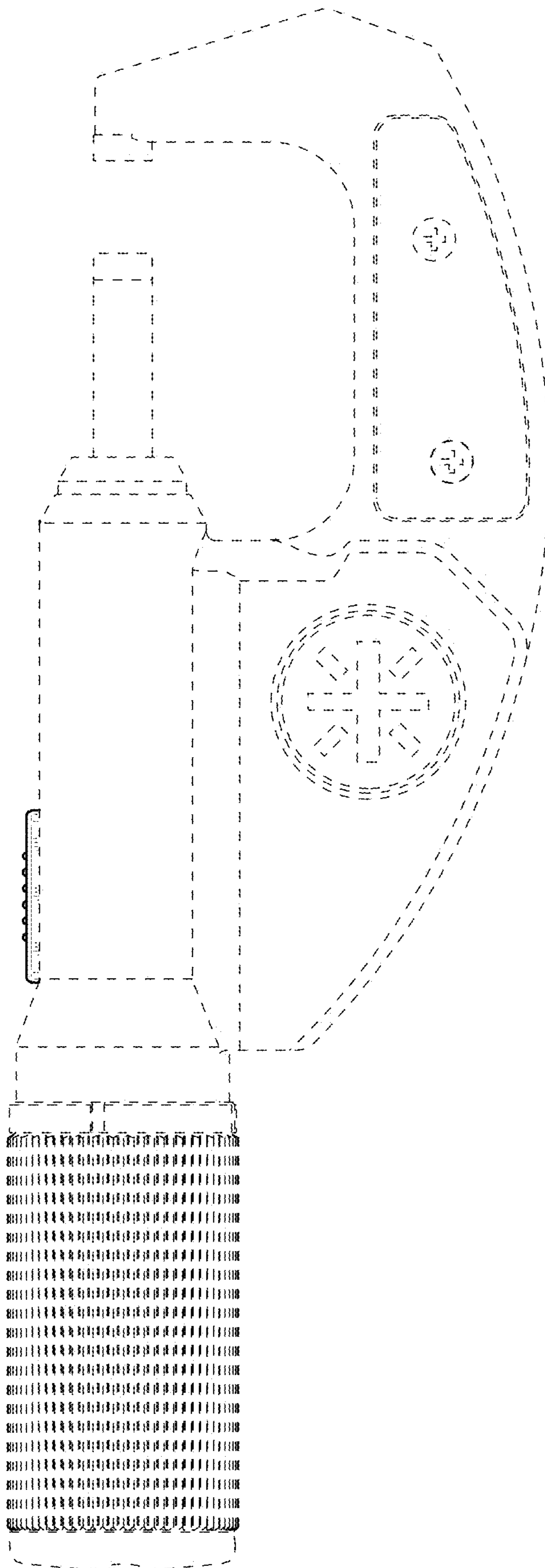


FIG. 2

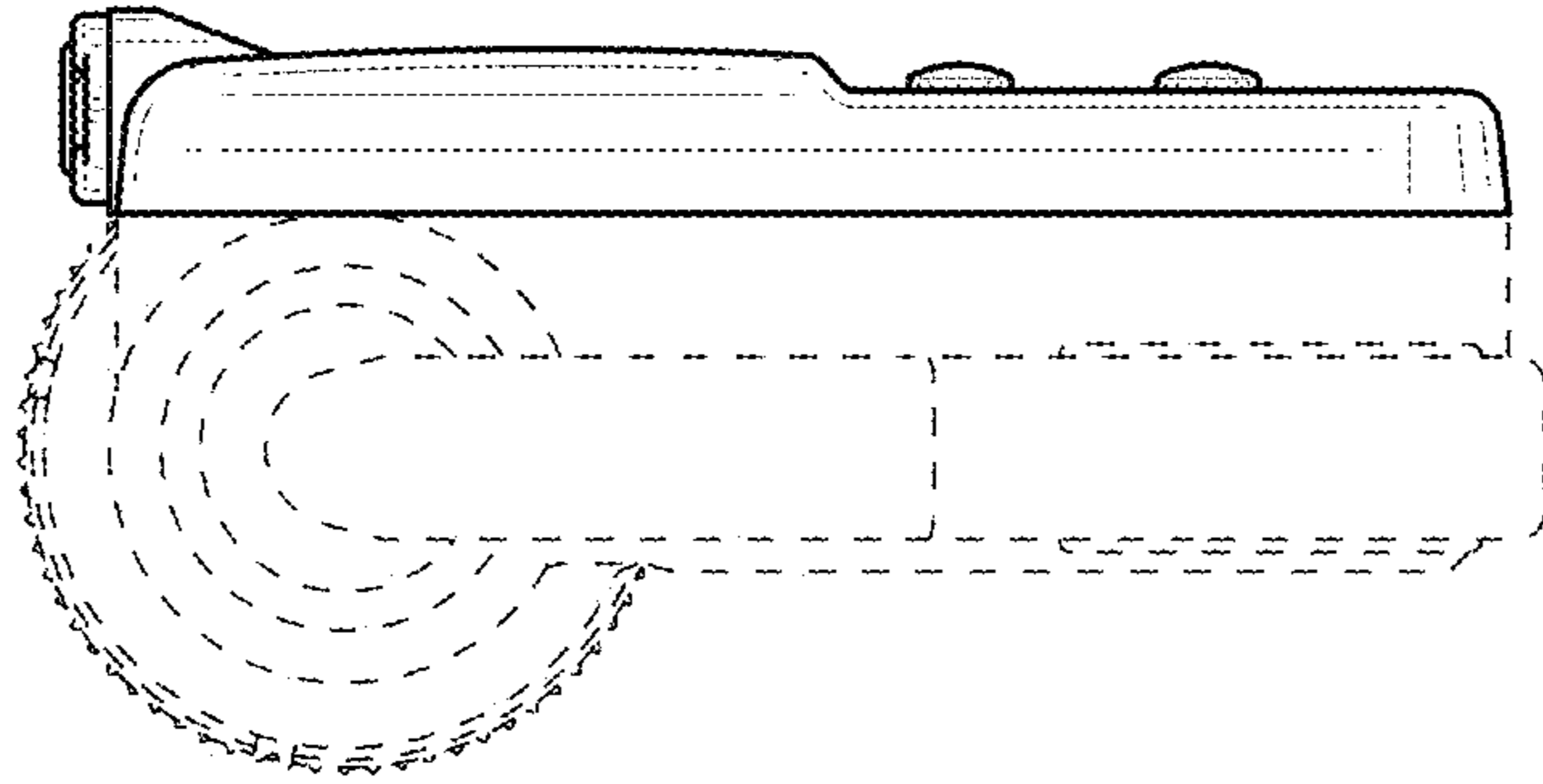


FIG. 4

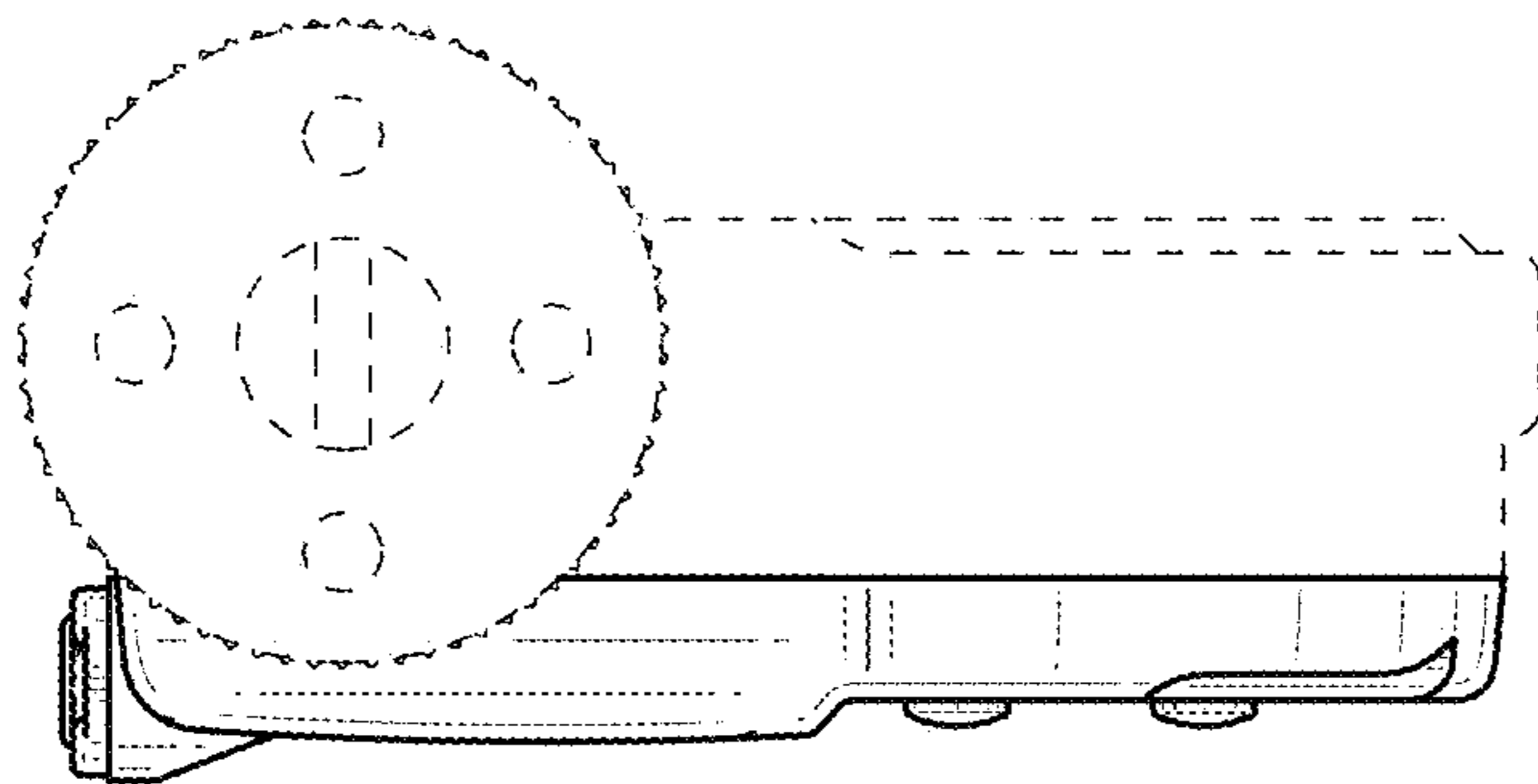


FIG. 3

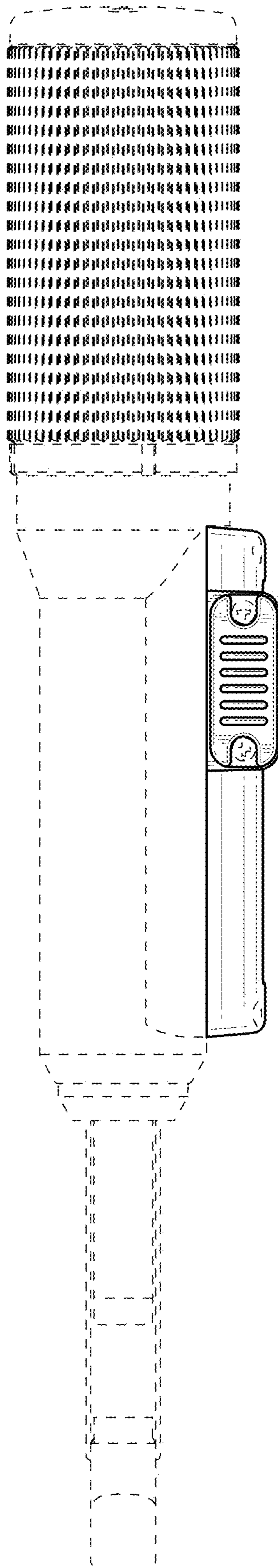


FIG. 5

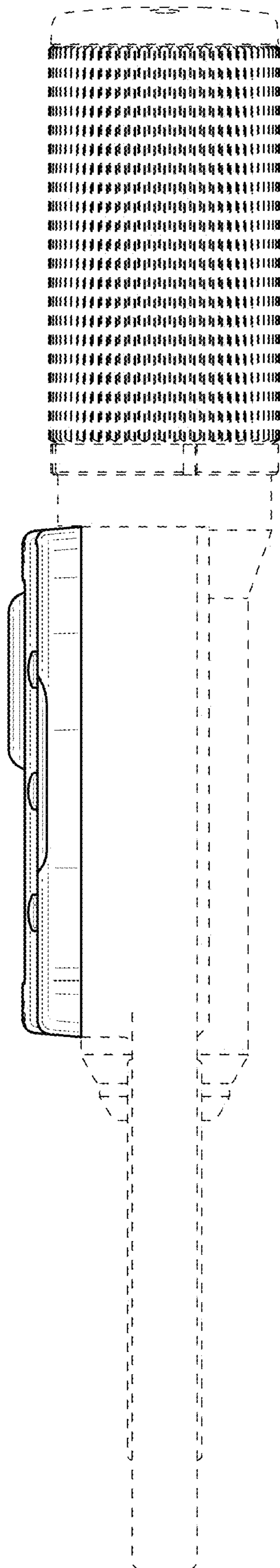


FIG. 6

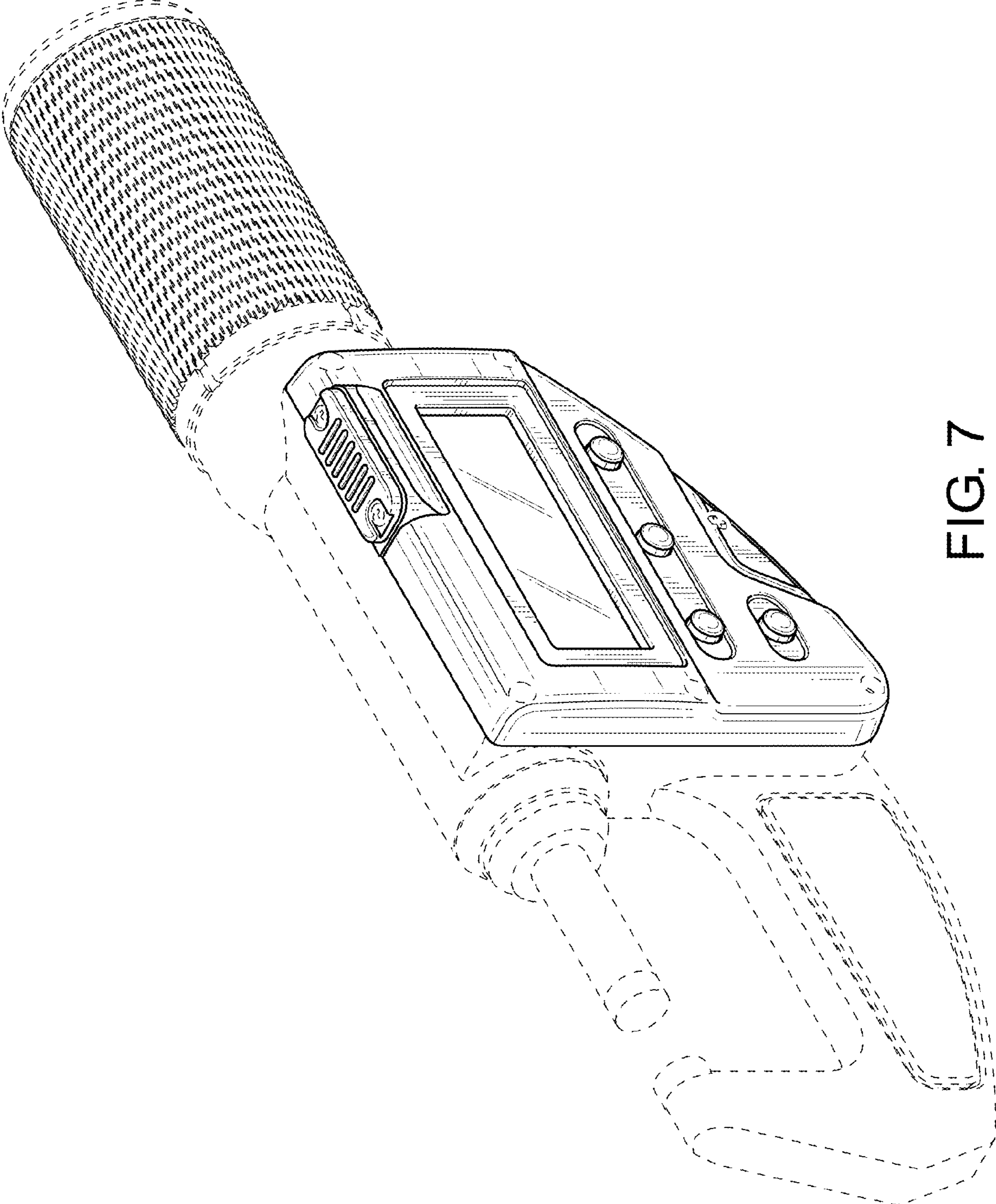


FIG. 7

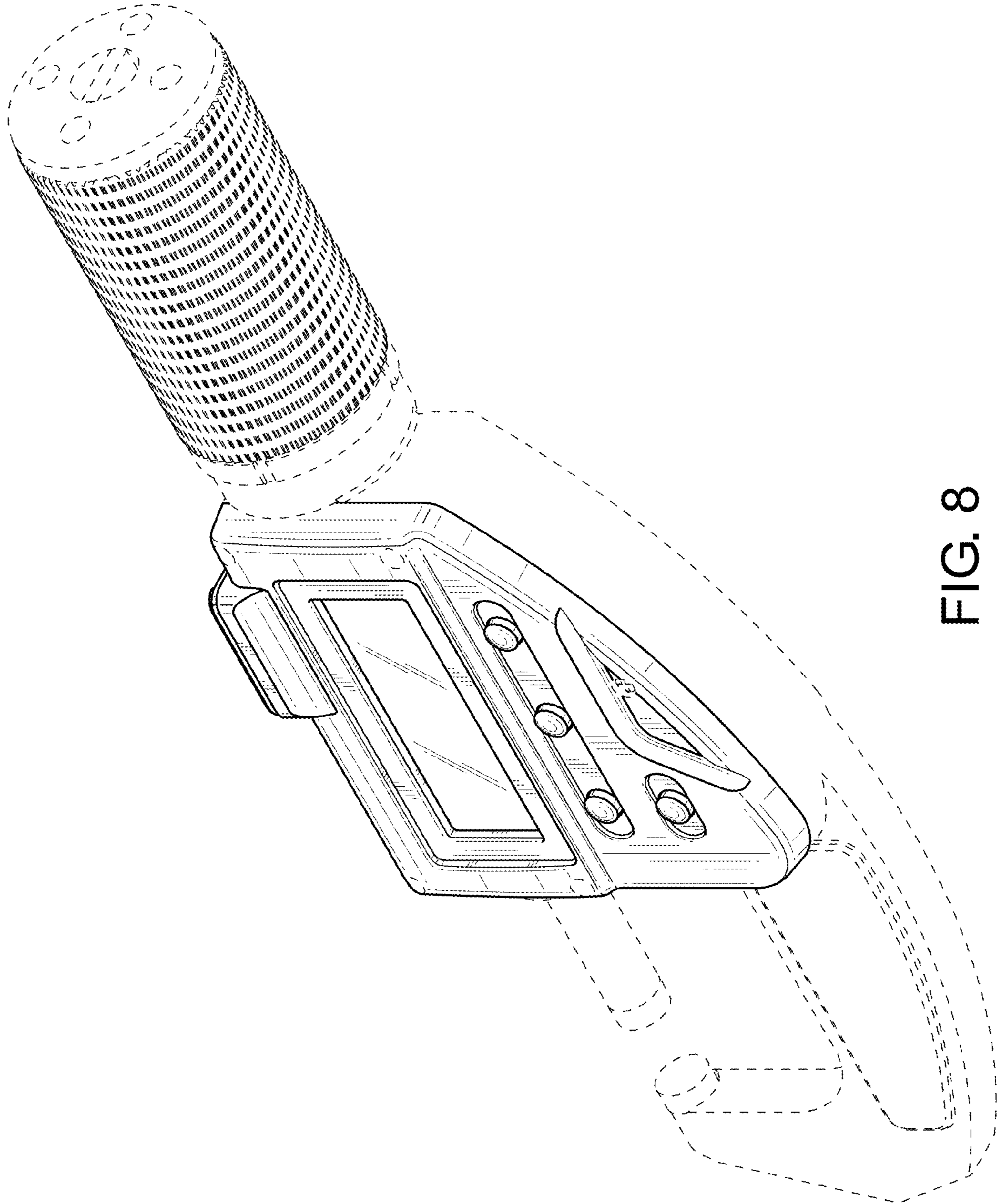


FIG. 8