



US00D893325S

(12) **United States Design Patent**
Zieman et al.

(10) **Patent No.:** **US D893,325 S**

(45) **Date of Patent:** **** Aug. 18, 2020**

(54) **MEASURABLE GUIDING TOOL FOR SEWING MACHINE**

(71) Applicant: **Clover Mfg. Co., Ltd.**, Osaka-shi, Osaka (JP)

(72) Inventors: **Nancy L. Zieman**, Beaver Dam, WI (US); **Yuji Kawasaki**, Osaka (JP); **Chihiro Iwasaki**, Osaka (JP)

(73) Assignee: **CLOVER MFG. CO., LTD.**, Osaka (JP)

(**) Term: **15 Years**

(21) Appl. No.: **29/685,729**

(22) Filed: **Mar. 29, 2019**

(30) **Foreign Application Priority Data**

Oct. 5, 2018 (JP) 2018-021954

(51) **LOC (12) Cl.** **10-04**

(52) **U.S. Cl.**
USPC **D10/71; D15/72**

(58) **Field of Classification Search**
USPC D10/71; D15/72, 78
CPC G01B 3/00; G01B 3/002; G01B 3/004;
G01B 3/006; G01B 3/008; G01B 3/02;
G01B 3/04; B43L 13/145; D05B 35/10;
D05B 35/12; D05B 2207/02; D05B
29/06; D05B 85/06

See application file for complete search history.

(56) **References Cited**

U.S. PATENT DOCUMENTS

4,067,271 A *	1/1978	Angele	D05B 35/10 112/153
4,114,546 A *	9/1978	Kirch	D05B 35/10 112/153
7,360,496 B2 *	4/2008	Niizeki	D05B 35/12 112/153

* cited by examiner

Primary Examiner — Antoine Duval Davis

(74) *Attorney, Agent, or Firm* — Hamre, Schumann, Mueller & Larson, P.C.

(57) **CLAIM**

We claim the ornamental design for a measurable guiding tool for a sewing machine, as shown and described.

DESCRIPTION

FIG. 1 is a perspective view showing a measurable guiding tool for sewing machine according to our design;
FIG. 2 is a front view of the same;
FIG. 3 is a rear view of the same;
FIG. 4 is a left side view of the same;
FIG. 5 is a right side view of the same;
FIG. 6 is a top plan view of the same;
FIG. 7 is a bottom view of the same;
FIG. 8 is a sectional view taken along lines 8-8 in FIG. 2;
FIG. 9 is a sectional view taken along lines 9-9 in FIG. 2;
and,
FIG. 10 is a sectional view taken along lines 10-10 in FIG. 4.

1 Claim, 7 Drawing Sheets

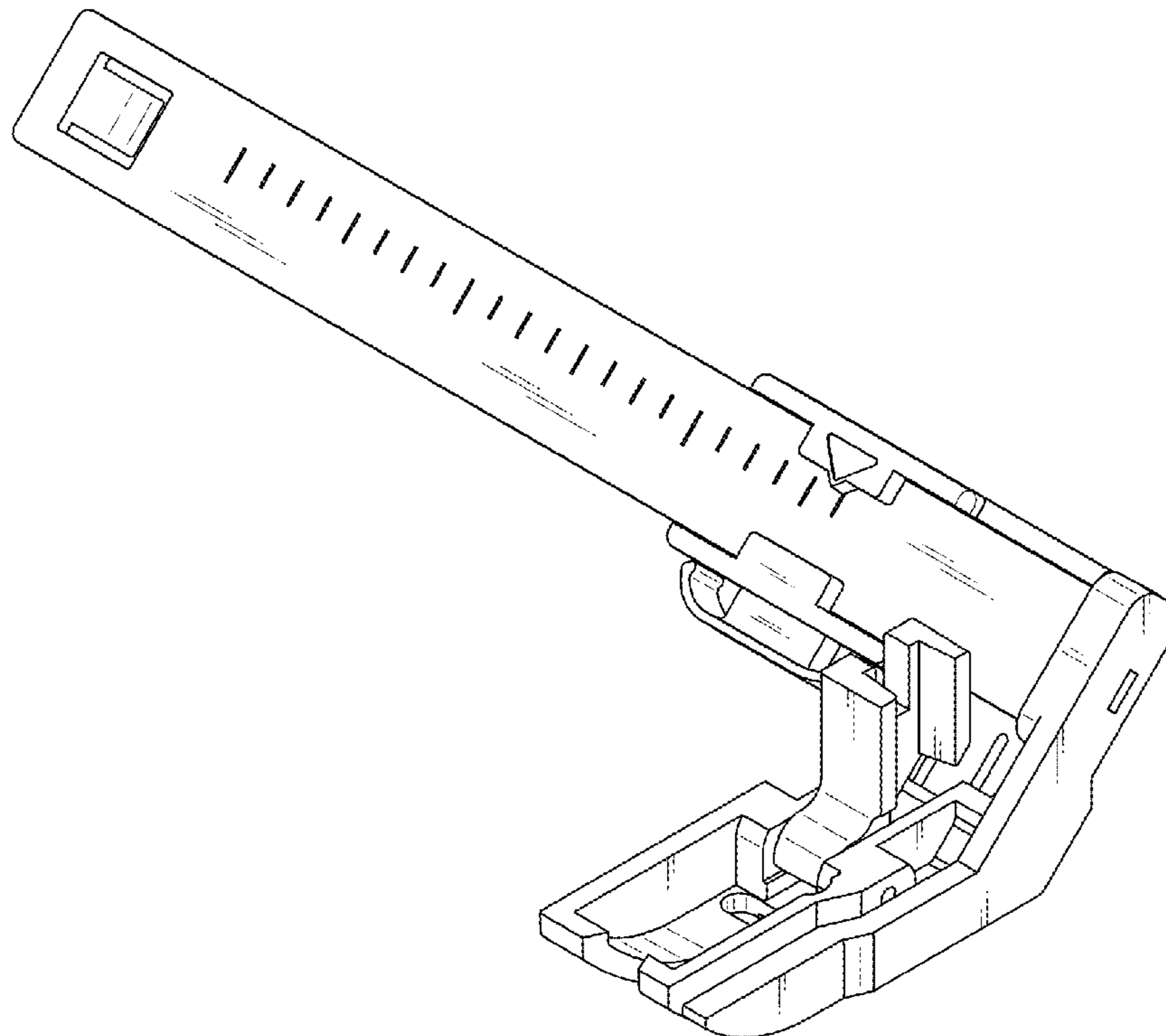


FIG. 1

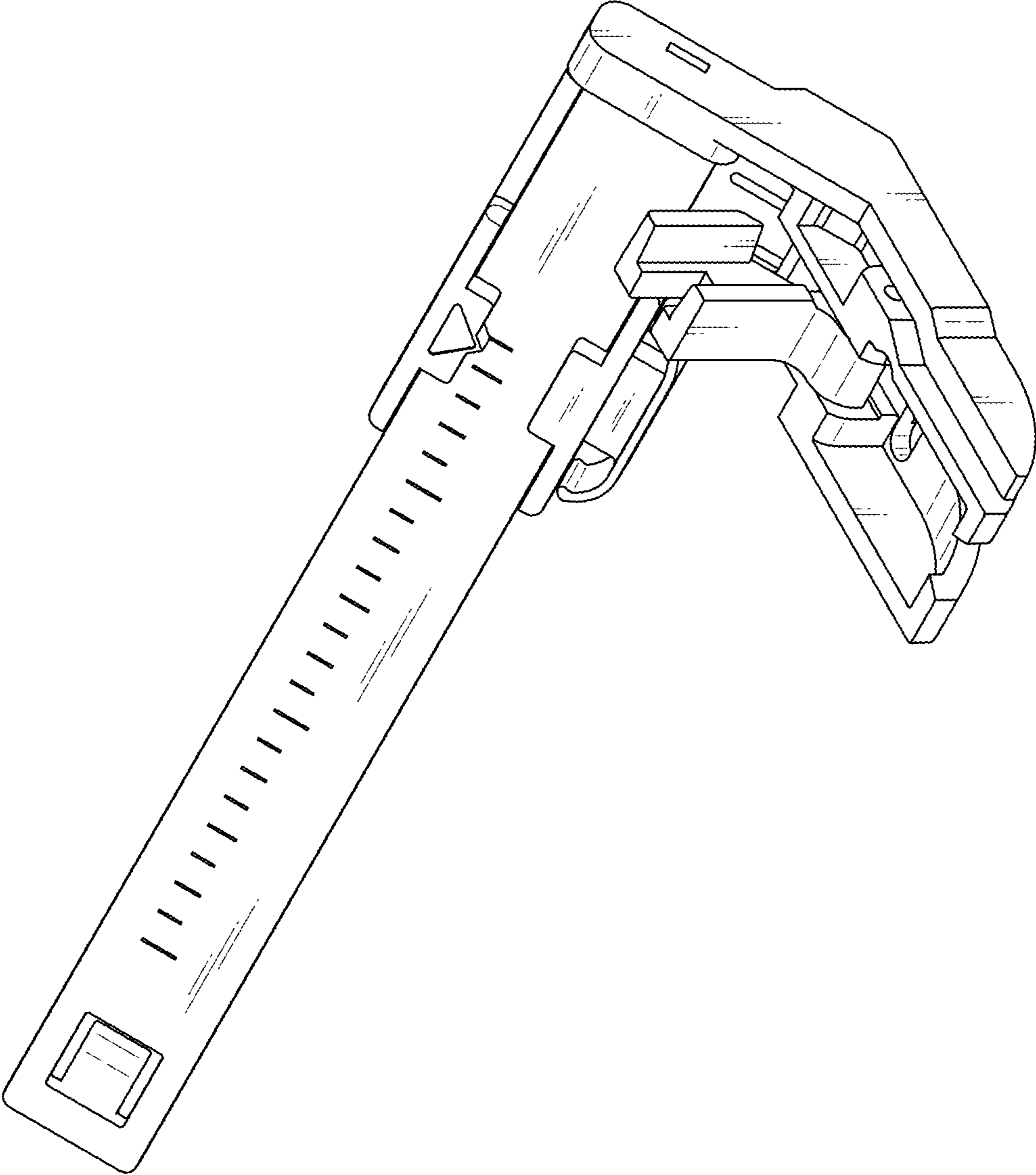


FIG. 2

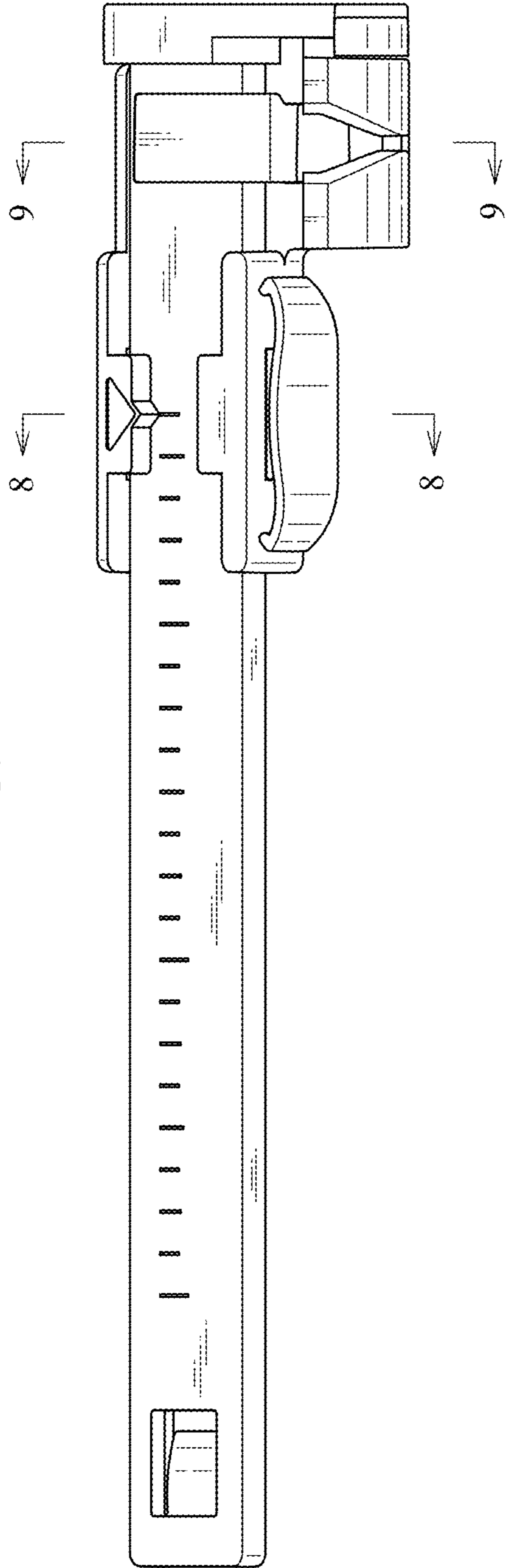


FIG. 3

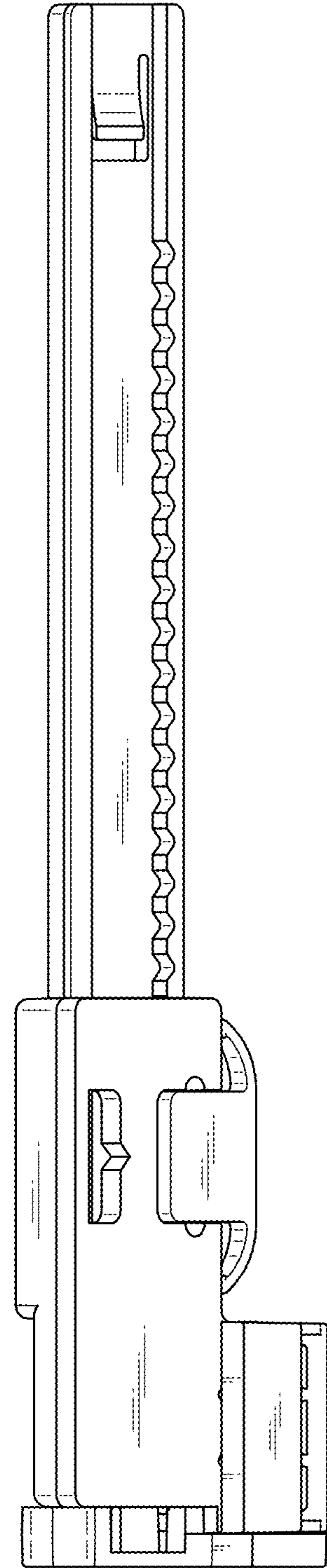


FIG. 4

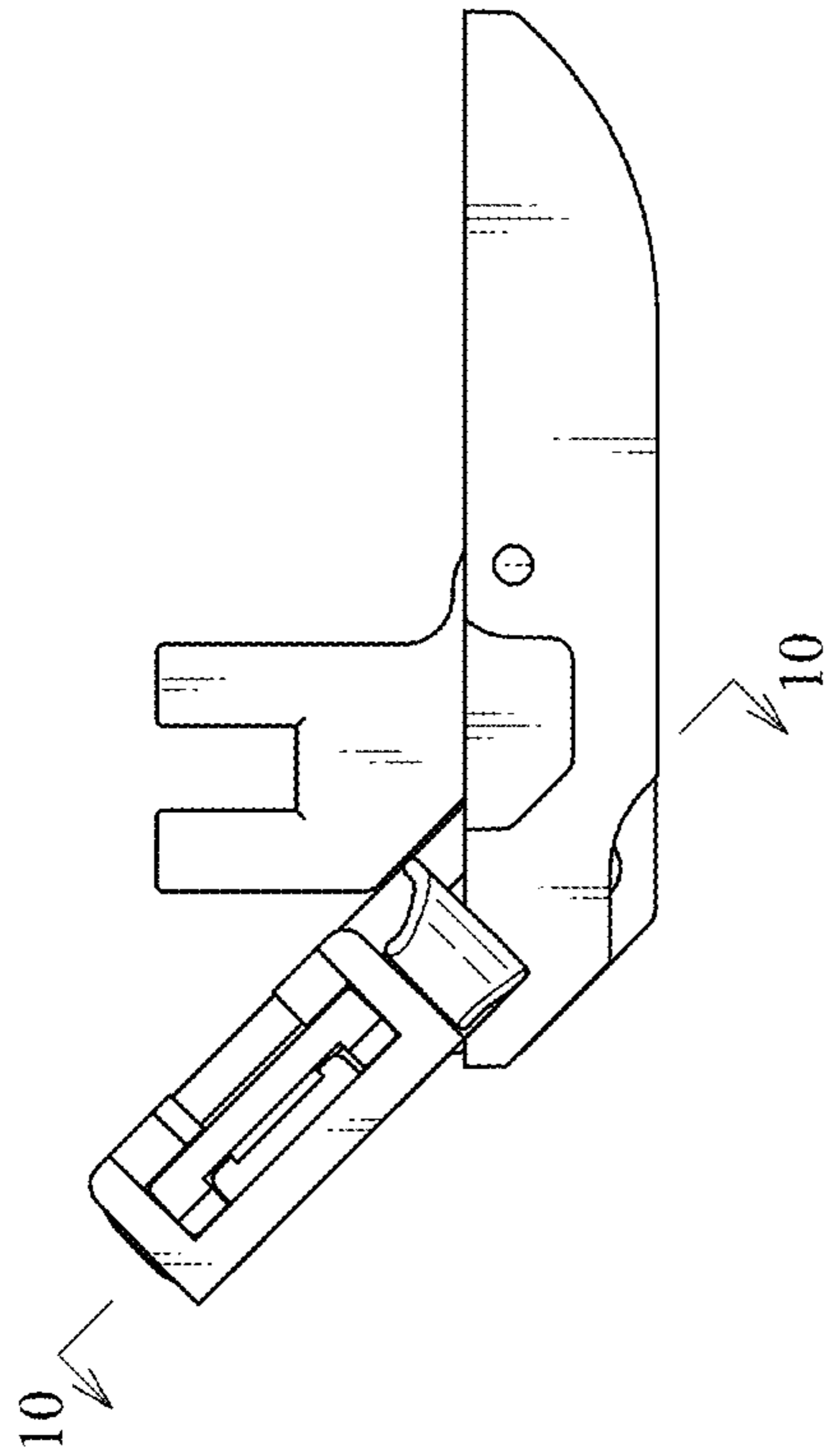


FIG. 5

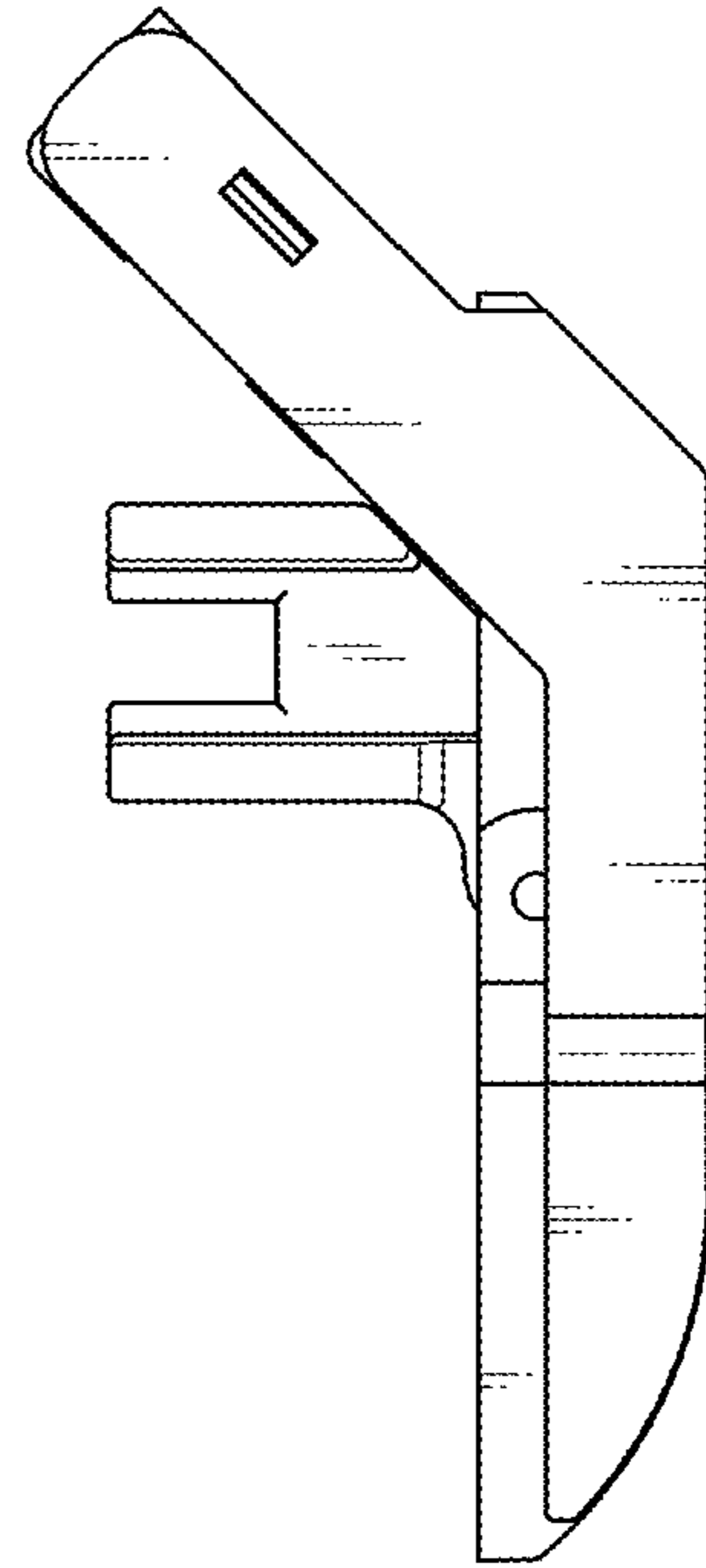
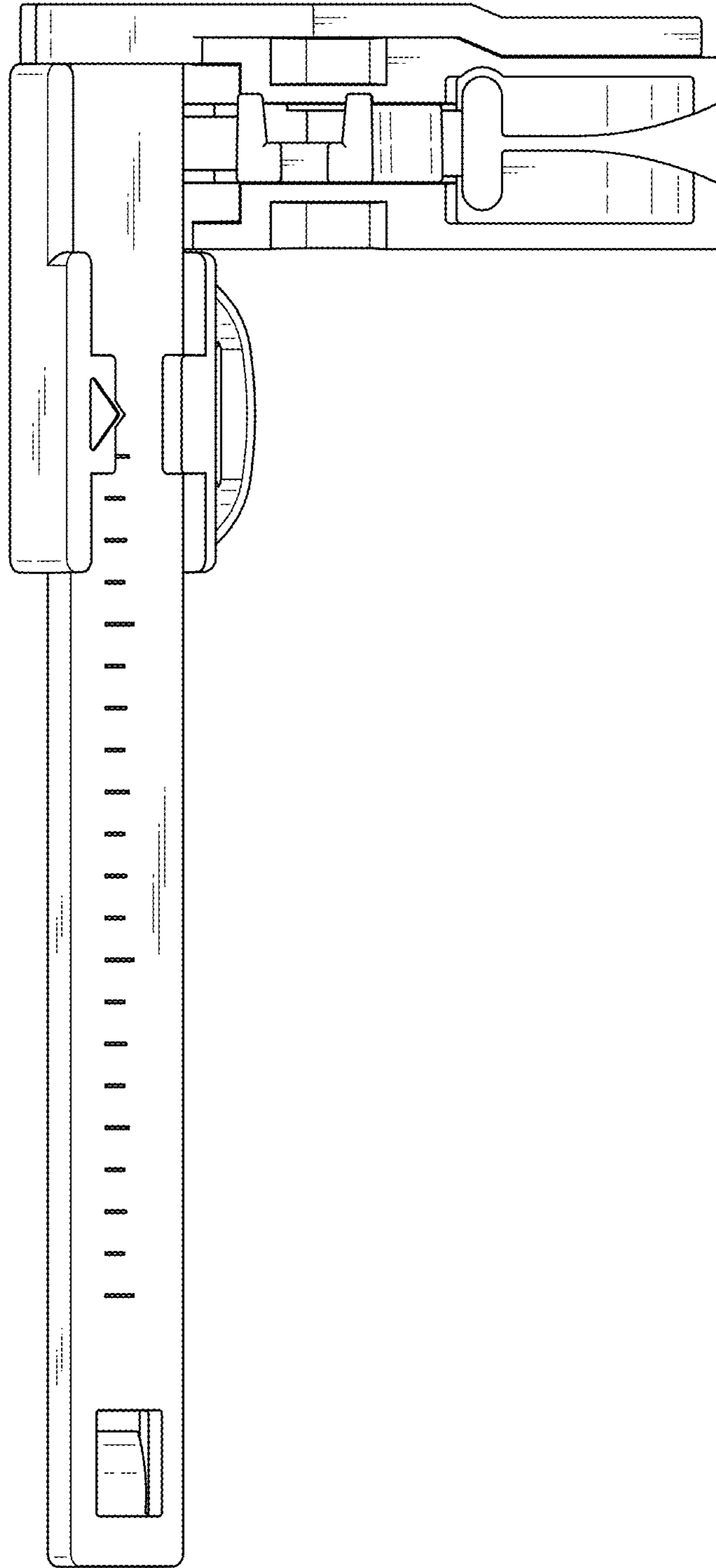


FIG. 6



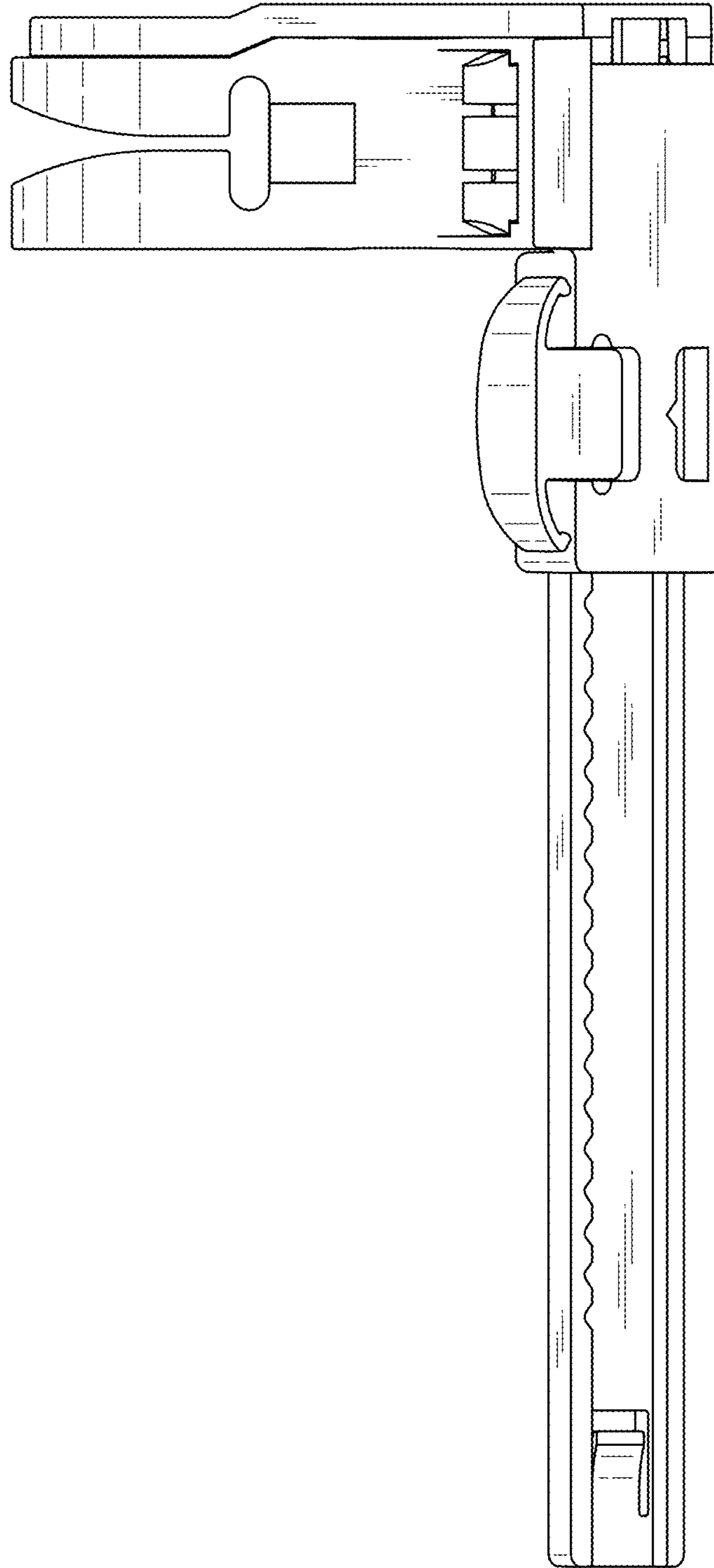


FIG. 7

FIG. 8

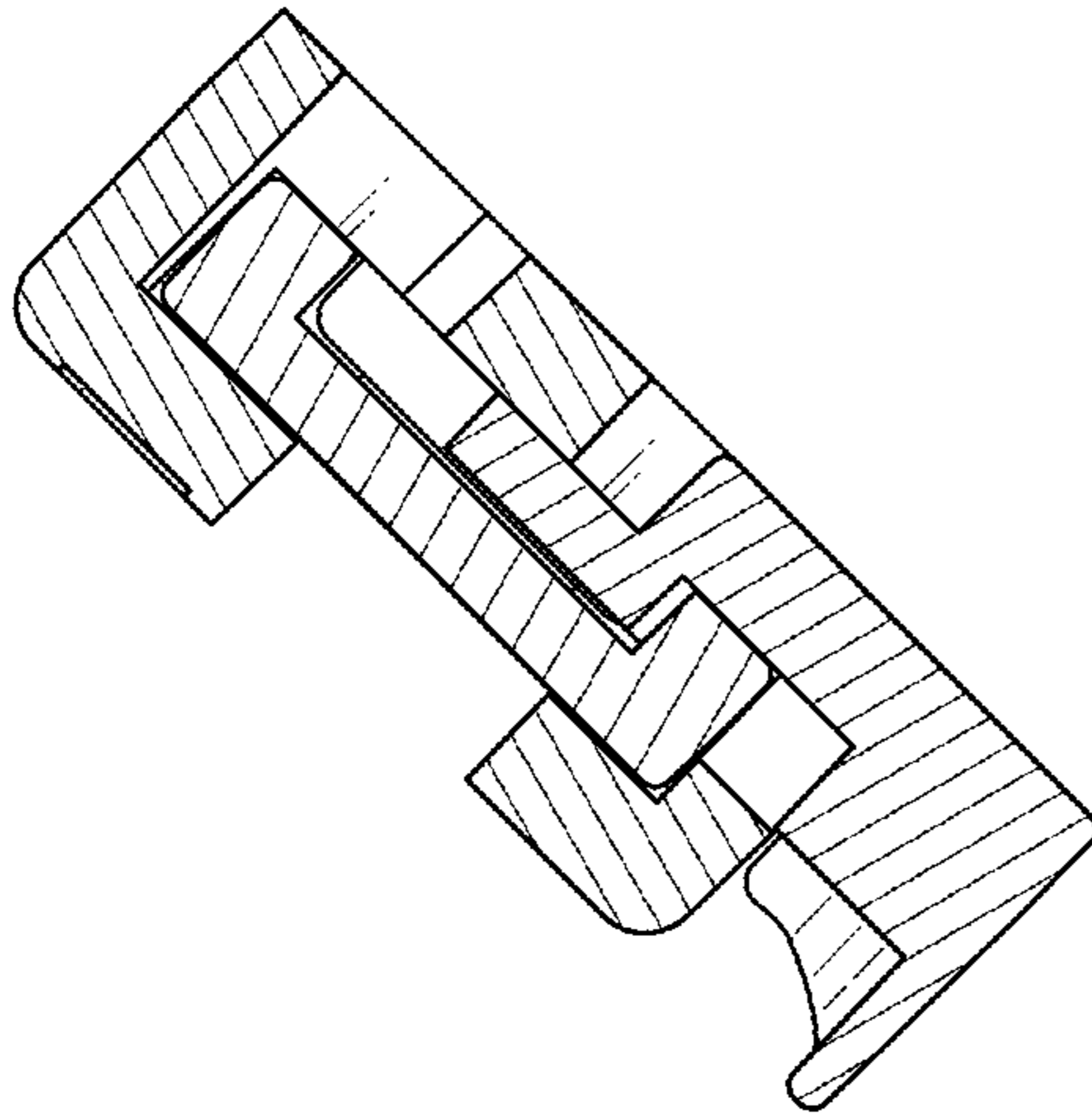
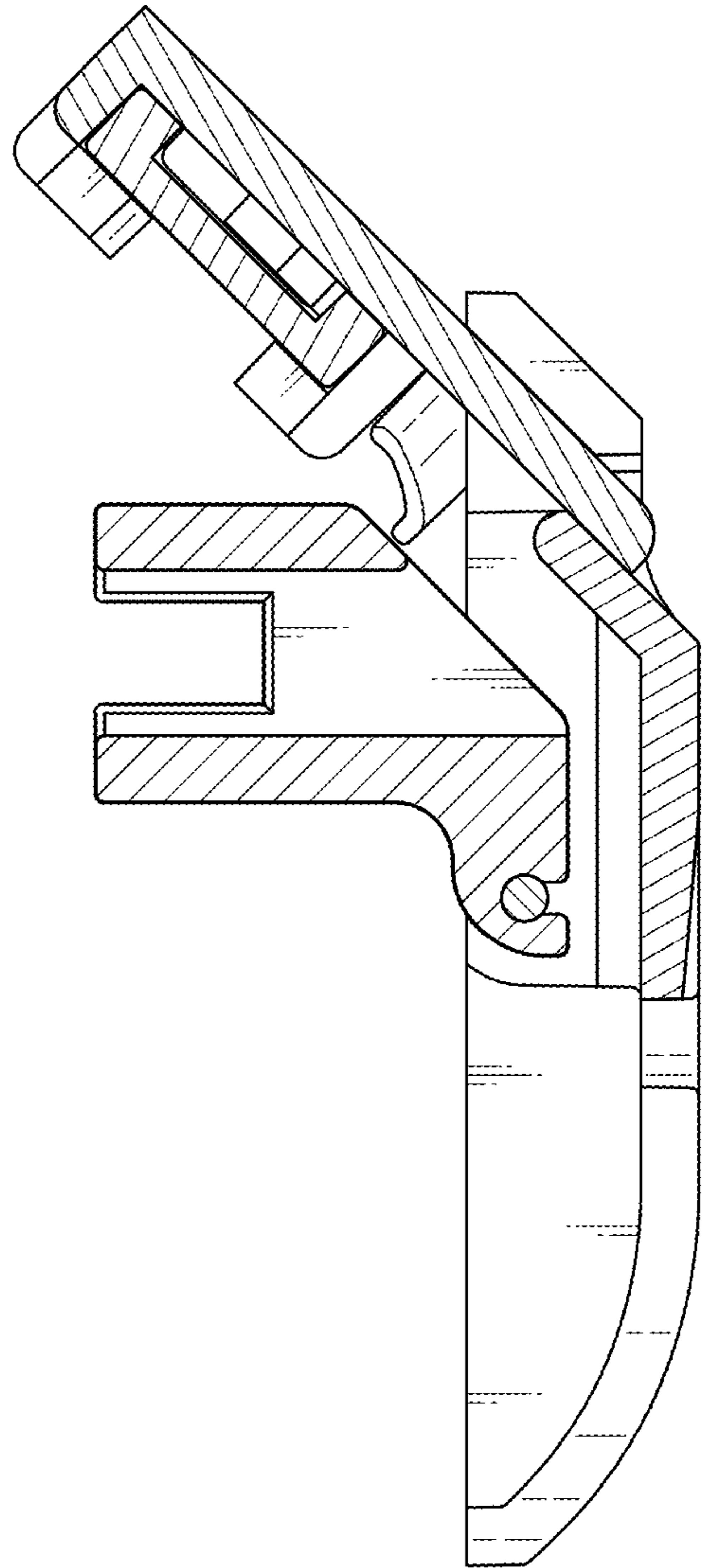


FIG. 9



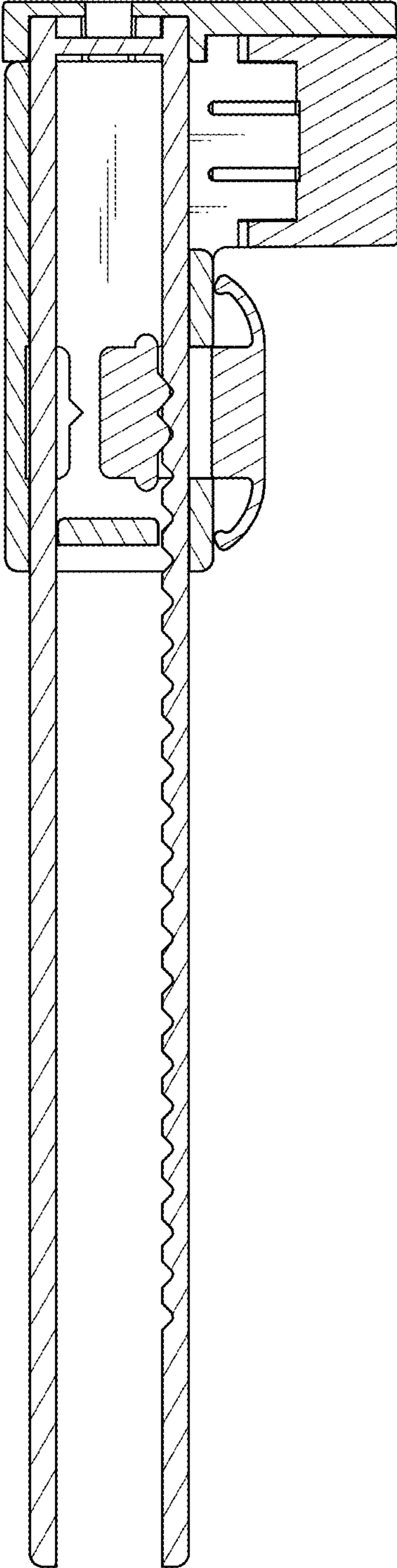


FIG. 10