



US00D893320S

(12) **United States Design Patent** (10) **Patent No.:** **US D893,320 S**  
**Potter** (45) **Date of Patent:** **\*\* Aug. 18, 2020**

(54) **THERMOSTAT COVER**  
(71) Applicant: **Matthew Potter**, Chicago, IL (US)  
(72) Inventor: **Matthew Potter**, Chicago, IL (US)  
(\*\*) Term: **15 Years**  
(21) Appl. No.: **29/677,702**  
(22) Filed: **Jan. 23, 2019**  
(51) **LOC (12) Cl.** ..... **10-04**  
(52) **U.S. Cl.**  
USPC ..... **D10/60; D13/173**  
(58) **Field of Classification Search**  
USPC ..... D10/49, 50, 60; D13/162, 162.1, 168,  
D13/173, 177, 184  
CPC ..... H05K 5/00; H05K 5/0004; H05K 5/0008;  
H05K 5/0013; H05K 5/0017; H05K  
5/0021; H05K 5/0026; H05K 5/003;  
H05K 5/0034; H05K 5/0039; H05K  
5/0043; H05K 5/0047; H05K 5/0052;  
H05K 5/0056; H05K 5/006; H05K  
5/0065; H05K 5/0069; H05K 5/0073;  
H05K 5/0078; H05K 5/0082; H05K  
5/0086; H05K 5/0091; H05K 5/0095;  
H05K 5/03; H05K 5/04; H05K 5/06;  
H05K 5/061; H05K 5/062; H05K 5/063;  
H05K 5/064; H05K 5/065; H05K 5/066;  
H05K 5/067; H05K 5/068; H05K 5/069;  
H05K 7/00; H05K 7/005; H05K 7/02;  
H05K 5/0243; F23N 5/20; F23N 5/203;  
F23N 5/206; F23N 5/18; F23N 5/184;  
F23N 5/187; F23N 5/22; F23N 2025/12;  
F23N 2041/02; F24F 11/00; F24F  
11/0012; F24F 11/0009; F24F 11/001;  
F24F 2011/0057; F24F 2011/0073; F24F  
2011/0091; F24F 2011/0094; F24F  
2011/0068; F24F 2011/0012; F24F  
2011/0015; F24F 2011/0017; F21V 11/16;  
F21V 33/10; G05B 19/042; G05D 23/01;  
G05D 23/12; G05D 23/275; G05D  
23/1902; G05D 23/1904; G05D

23/27502; G05D 23/27503; G05D  
23/1919; G05D 23/19; G05D 23/2723;  
G05D 23/00; G09F 13/22; G09F 9/53;  
G06F 1/1684; G06F 1/30; G06F 3/0362;  
G06F 3/038; H05B 33/0854; H05B  
37/0218; H04M 2250/12; H04M 2250/22  
See application file for complete search history.

(56) **References Cited**

U.S. PATENT DOCUMENTS

D248,455 S \* 7/1978 Cunnie ..... D10/60  
D595,161 S \* 6/2009 Fisher ..... D10/50  
D733,590 S \* 7/2015 Primiani ..... D10/50  
D821,984 S \* 7/2018 Mori ..... D13/168

(Continued)

*Primary Examiner* — Antoine Duval Davis

(74) *Attorney, Agent, or Firm* — Pauley Erickson & Swanson

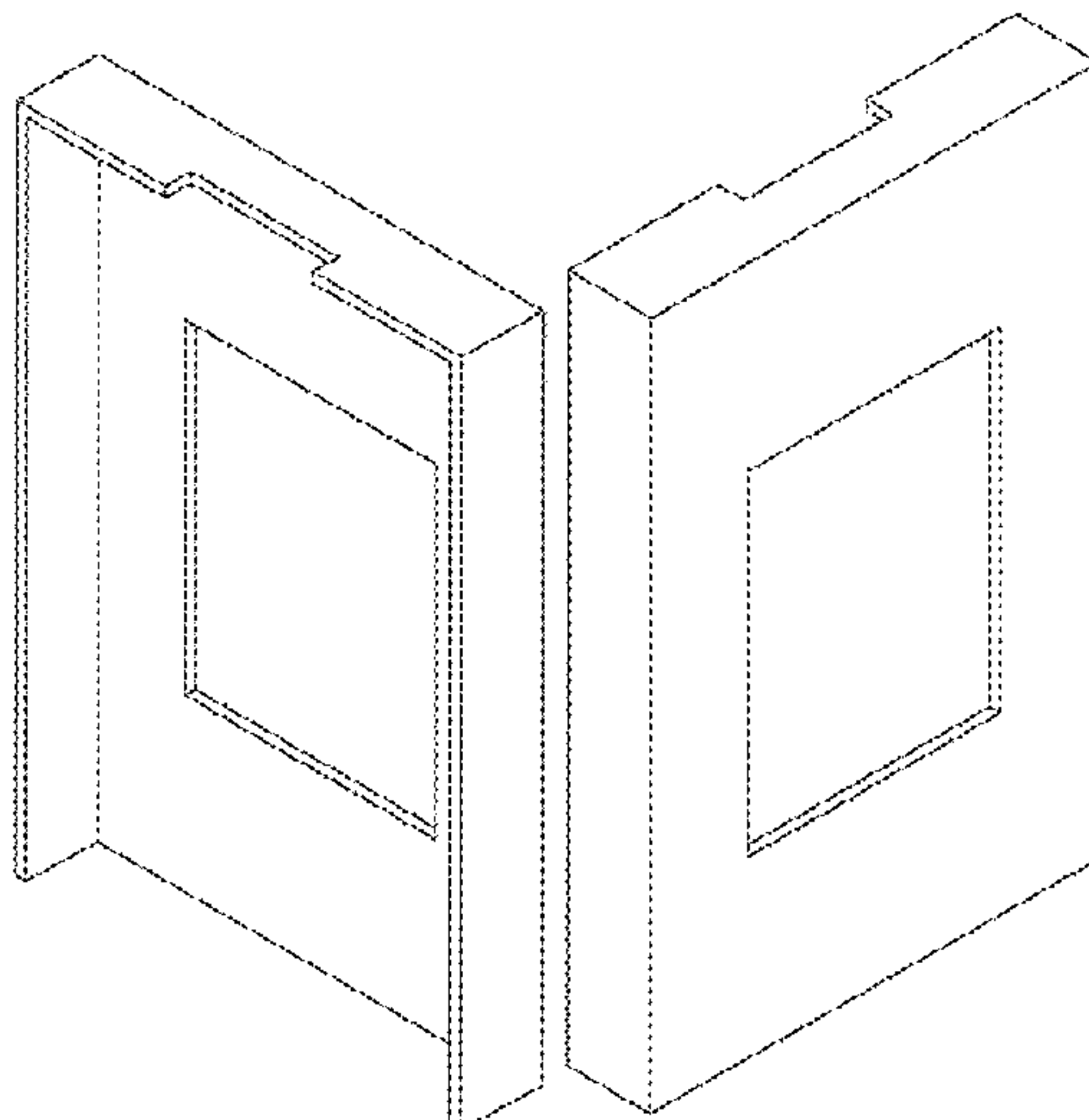
(57) **CLAIM**

The ornamental design for a thermostat cover, as shown.

**DESCRIPTION**

FIG. 1 is a limit view of a thermostat cover, according to one embodiment of this invention;  
FIG. 2 is a side view of the thermostat cover, as shown in FIG. 1;  
FIG. 3 is a side view of the thermostat cover, opposite the side view in FIG. 2, as shown in FIG. 1;  
FIG. 4 is a rear view of the thermostat cover, as shown in FIG. 1;  
FIG. 5 is a top end view of the thermostat cover, as shown in FIG. 1;  
FIG. 6 is a bottom end view of the thermostat cover, opposite the top view in FIG. 5, as shown in FIG. 1;  
FIG. 7 is a rear perspective view of the thermostat cover, as shown in FIG. 1; and,  
FIG. 8 is a front perspective view of the thermostat cover, as shown in FIG. 1.

**1 Claim, 6 Drawing Sheets**



(56)

**References Cited**

U.S. PATENT DOCUMENTS

10,271,445 B2 \* 4/2019 Liu ..... H05K 5/0243  
10,299,415 B1 \* 5/2019 Yang ..... H05K 5/0217

\* cited by examiner

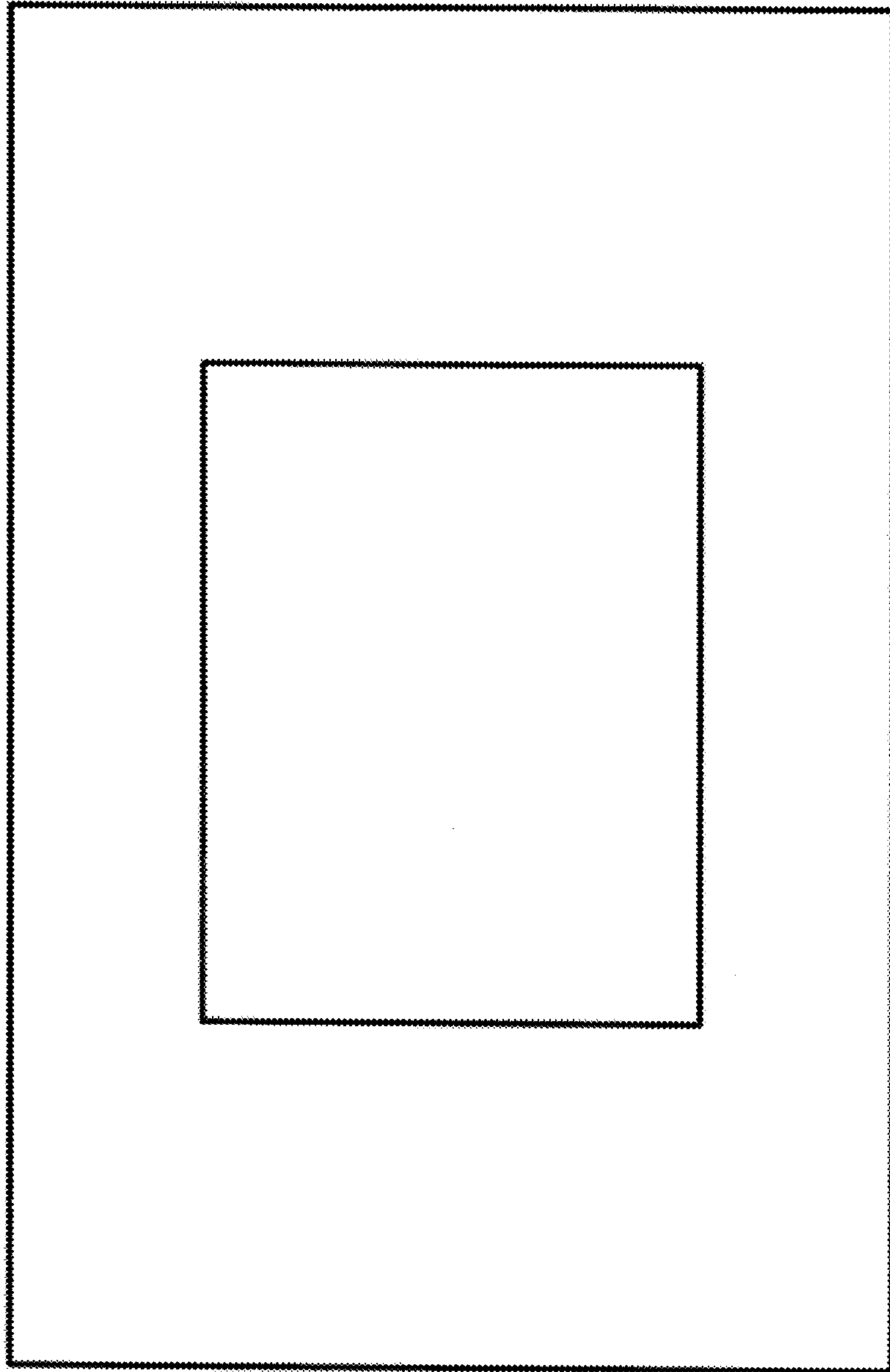


FIG. 1

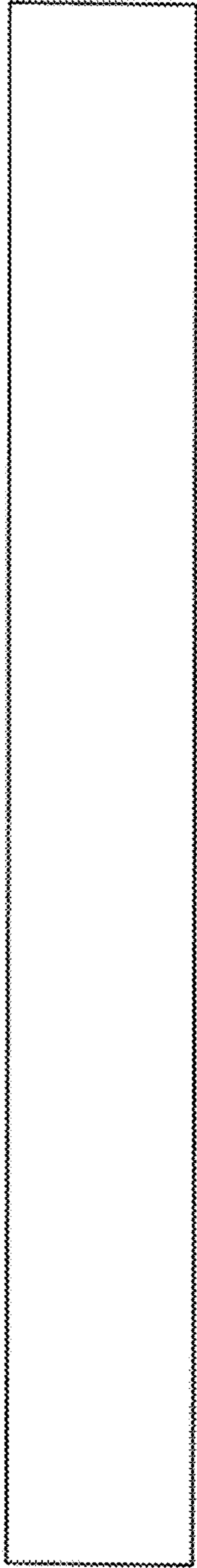


FIG. 2

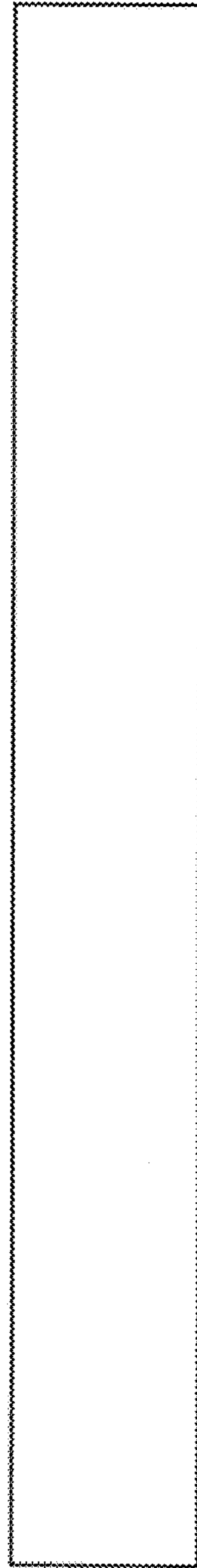


FIG. 3

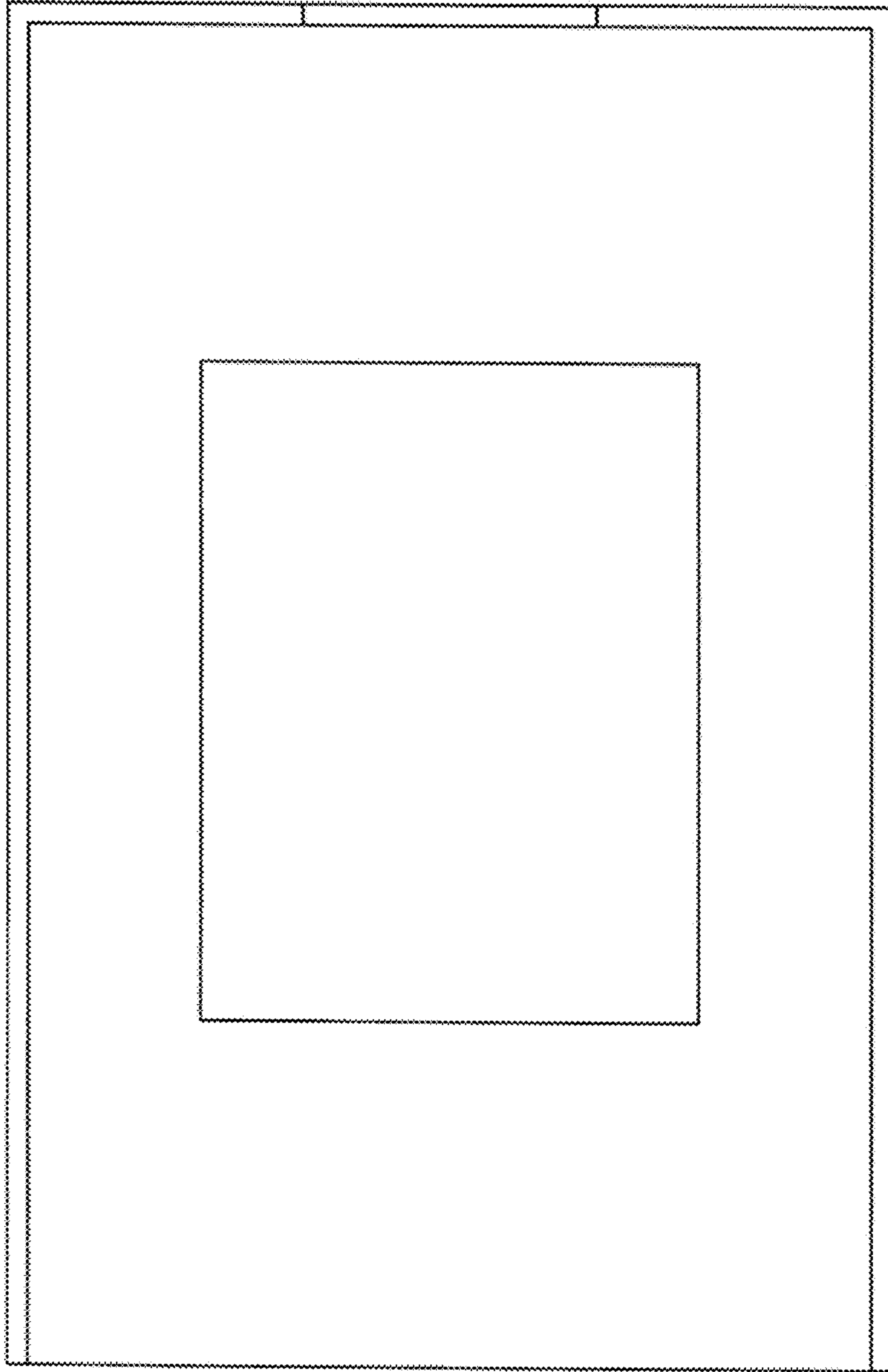


FIG. 4

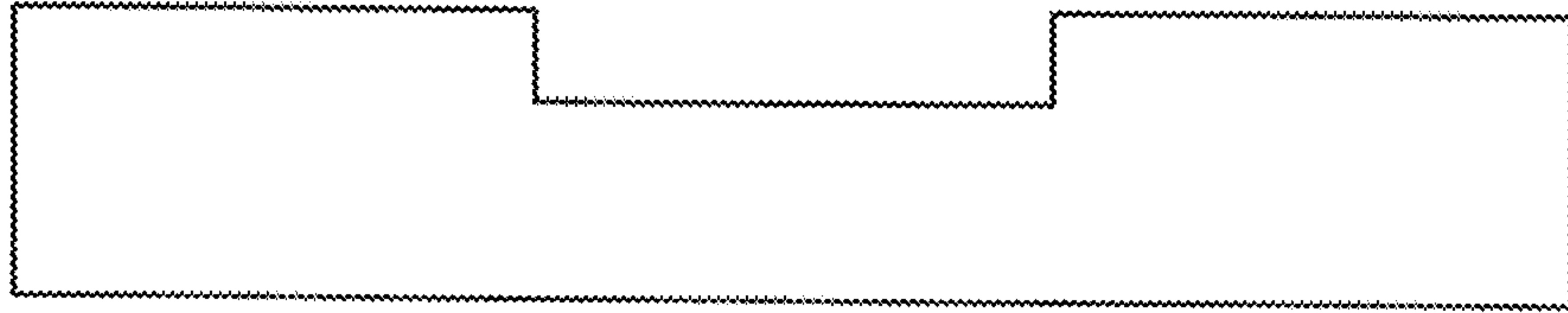


FIG. 5

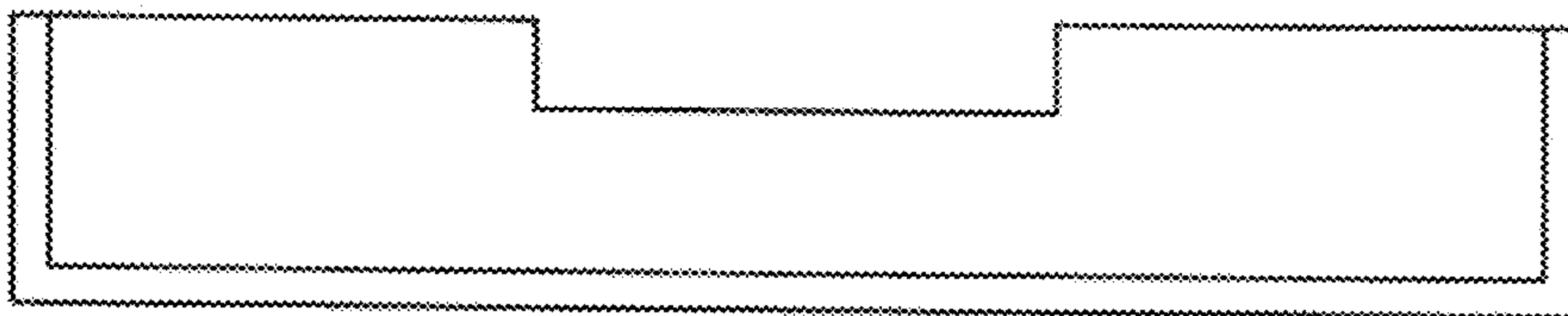


FIG. 6



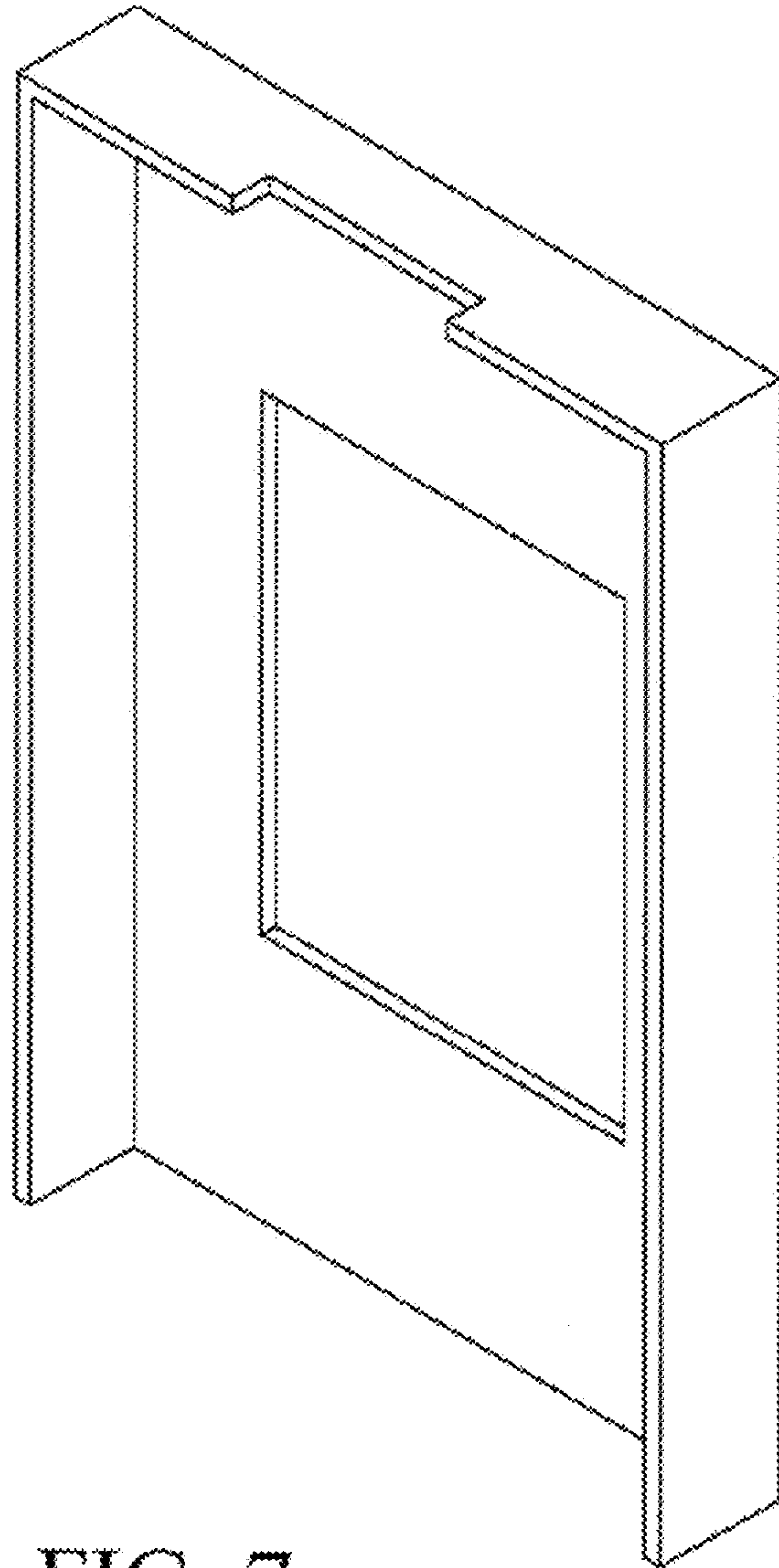


FIG. 7

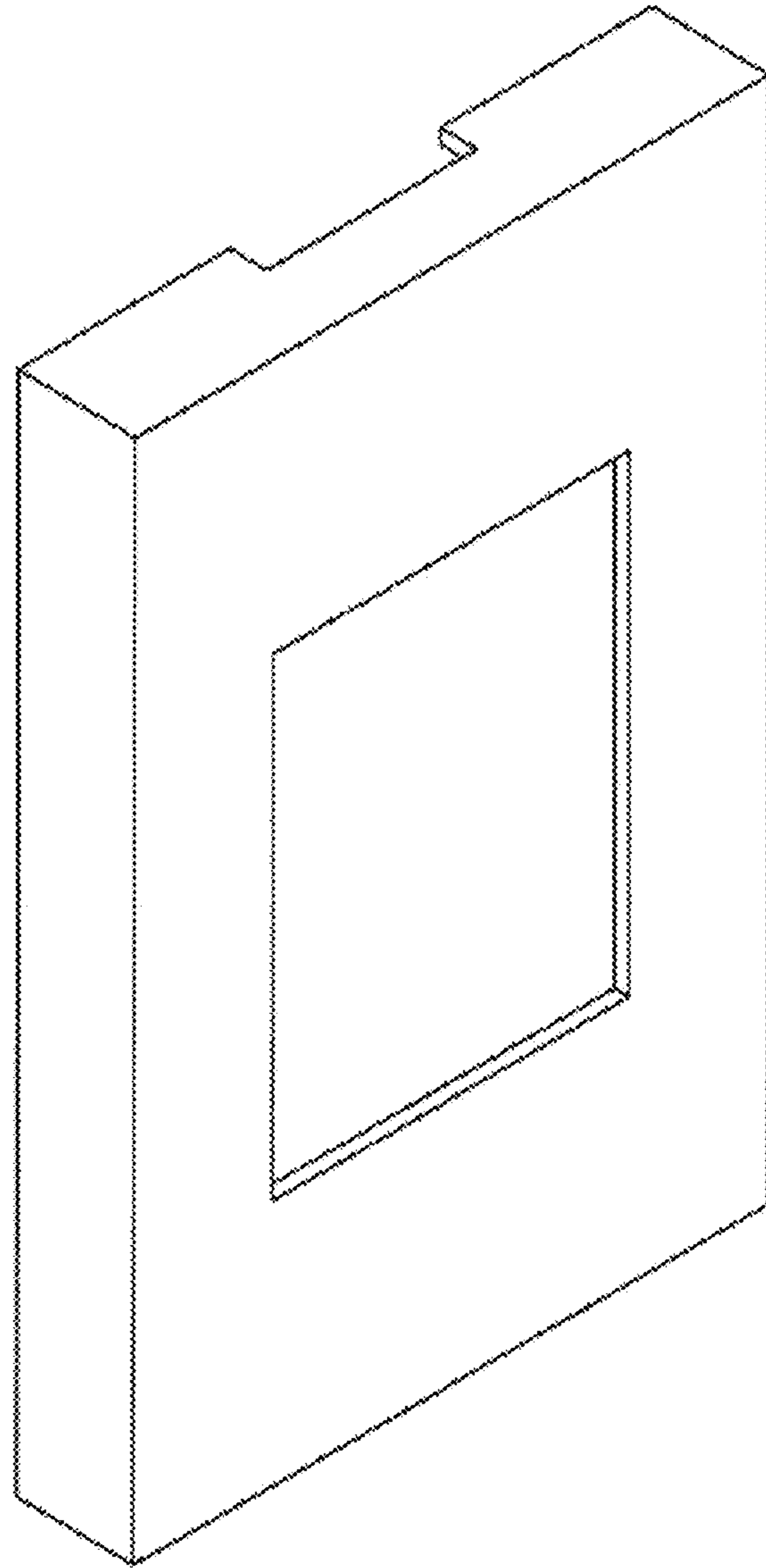


FIG. 8