



US00D893318S

(12) **United States Design Patent**  
**Orlinski**

(10) **Patent No.:** **US D893,318 S**

(45) **Date of Patent:** **\*\* Aug. 18, 2020**

(54) **WATCH**

(71) Applicant: **HUBLLOT SA, Genève, Geneva (CH)**

(72) Inventor: **Richard Orlinski, Paris (FR)**

(73) Assignee: **HUBLLOT SA, Genève, Geneva (CH)**

(\*\*) Term: **15 Years**

(21) Appl. No.: **29/653,551**

(22) Filed: **Jun. 15, 2018**

(30) **Foreign Application Priority Data**

Dec. 20, 2017 (WO) ..... DM/099095

(51) **LOC (12) Cl.** ..... **10-02**

(52) **U.S. Cl.**  
USPC ..... **D10/39**

(58) **Field of Classification Search**  
USPC ..... D10/30-39, 122-124, 126; D11/51, 52,  
D11/82, 100  
CPC ..... G04B 19/06; G04B 19/10; G04B 19/103;  
G04B 19/12; G04B 19/24; G04B  
45/0069; G04B 45/0076; G04B 45/02;  
G04F 7/08; G04F 7/0842; G04F 7/0871;  
G09B 27/00-27/06

See application file for complete search history.

(56) **References Cited**

**U.S. PATENT DOCUMENTS**

D242,436 S *	11/1976	Nilson	.....	D10/30
D246,577 S *	12/1977	Inaba	.....	D10/30
D252,138 S *	6/1979	Onodera	.....	D10/30
D451,820 S *	12/2001	Sugisawa	.....	D10/30
D456,721 S *	5/2002	Yamamoto	.....	D10/30
D479,135 S *	9/2003	Emmenegger	.....	D10/30
7,008,102 B2 *	3/2006	Taillard	.....	G04B 17/285 368/127
D526,910 S *	8/2006	Syoubayashi	.....	D10/32

D543,872 S *	6/2007	Garcia	.....	D10/38
D653,128 S *	1/2012	Vaptzarof	.....	D10/39
D656,045 S *	3/2012	Calce	.....	D10/39
D707,137 S *	6/2014	Tedeschi	.....	D10/39
8,830,797 B2 *	9/2014	Dubugnon	.....	G04B 19/046 368/228
D724,962 S *	3/2015	Vaptzarof	.....	D10/39
D725,500 S *	3/2015	Biver	.....	D10/124
D726,554 S *	4/2015	Takahashi	.....	D10/38
D747,982 S *	1/2016	Miodrag	.....	D10/124
D754,550 S *	4/2016	Izuka	.....	D10/30
D757,570 S *	5/2016	Wacks	.....	D10/128
9,329,574 B2 *	5/2016	Momose	.....	G04B 19/06
D769,762 S *	10/2016	Behling	.....	D10/126
D770,305 S *	11/2016	Lee	.....	D10/30
D799,987 S *	10/2017	Mille	.....	D10/30
D800,578 S *	10/2017	Behling	.....	D10/30
D828,185 S *	9/2018	Savolainen	.....	D10/38
D843,228 S *	3/2019	Miodrag	.....	D10/32

(Continued)

*Primary Examiner* — Sandra S Snapp

*Assistant Examiner* — Katherine Glennon

(74) *Attorney, Agent, or Firm* — Sughrue Mion, PLLC

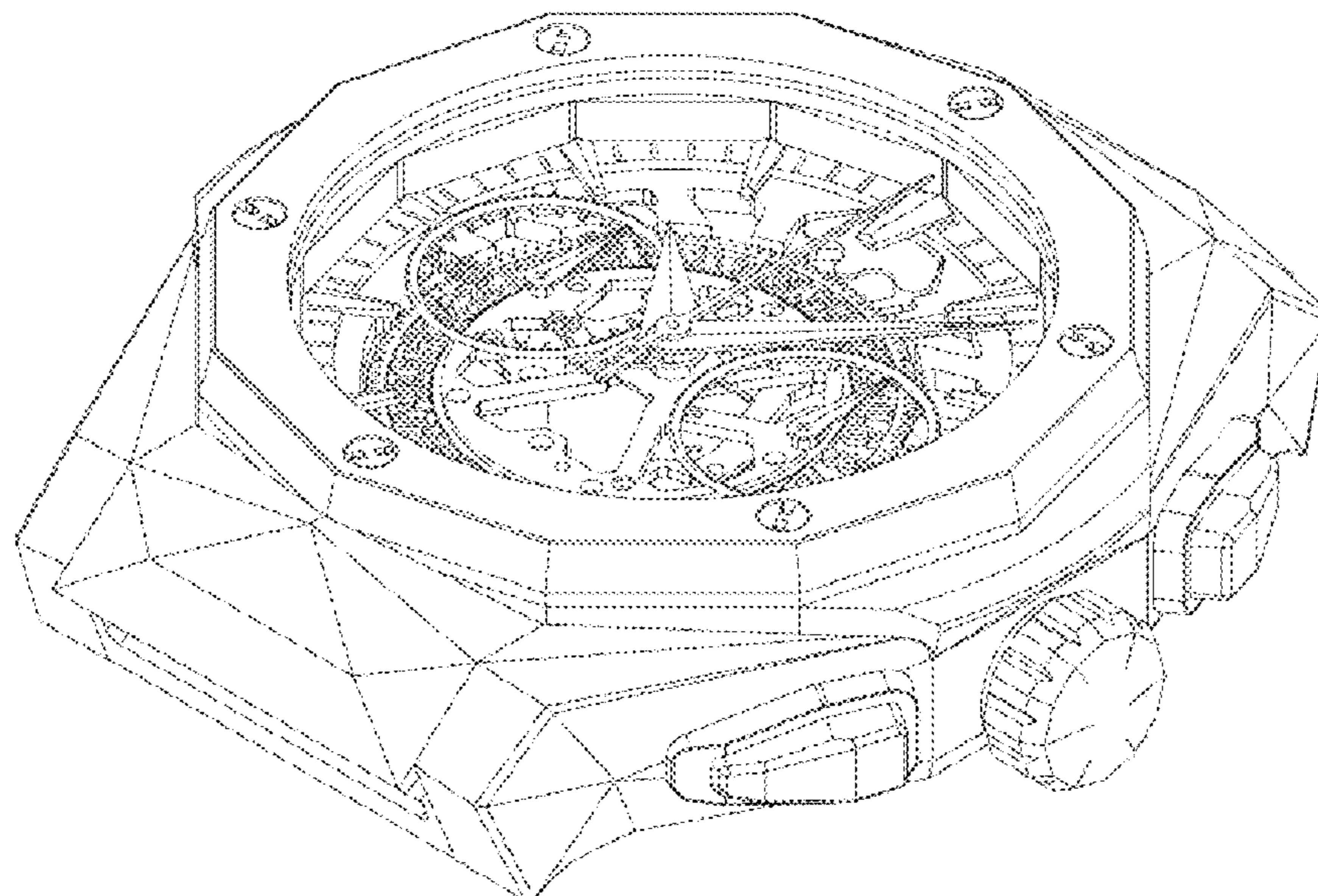
(57) **CLAIM**

The ornamental design for a watch, as shown and described.

**DESCRIPTION**

FIG. 1 is a perspective view of the front and right side of a wristwatch showing my new design;  
 FIG. 2 is a front elevational view thereof;  
 FIG. 3 is a rear elevational view thereof;  
 FIG. 4 is a top plan view thereof;  
 FIG. 5 is a bottom plan view thereof;  
 FIG. 6 is a right side elevational view thereof; and,  
 FIG. 7 is a left side elevational view thereof.  
 The portions depicted by broken lines are shown for illustrative purposes only and form no part of the claimed design.

**1 Claim, 7 Drawing Sheets**



(56)

**References Cited**

U.S. PATENT DOCUMENTS

D843,229 S \* 3/2019 Miodrag ..... D10/39  
D843,230 S \* 3/2019 Miodrag ..... D10/39  
2019/0116945 A1\* 4/2019 Rochat ..... A44C 5/147

\* cited by examiner

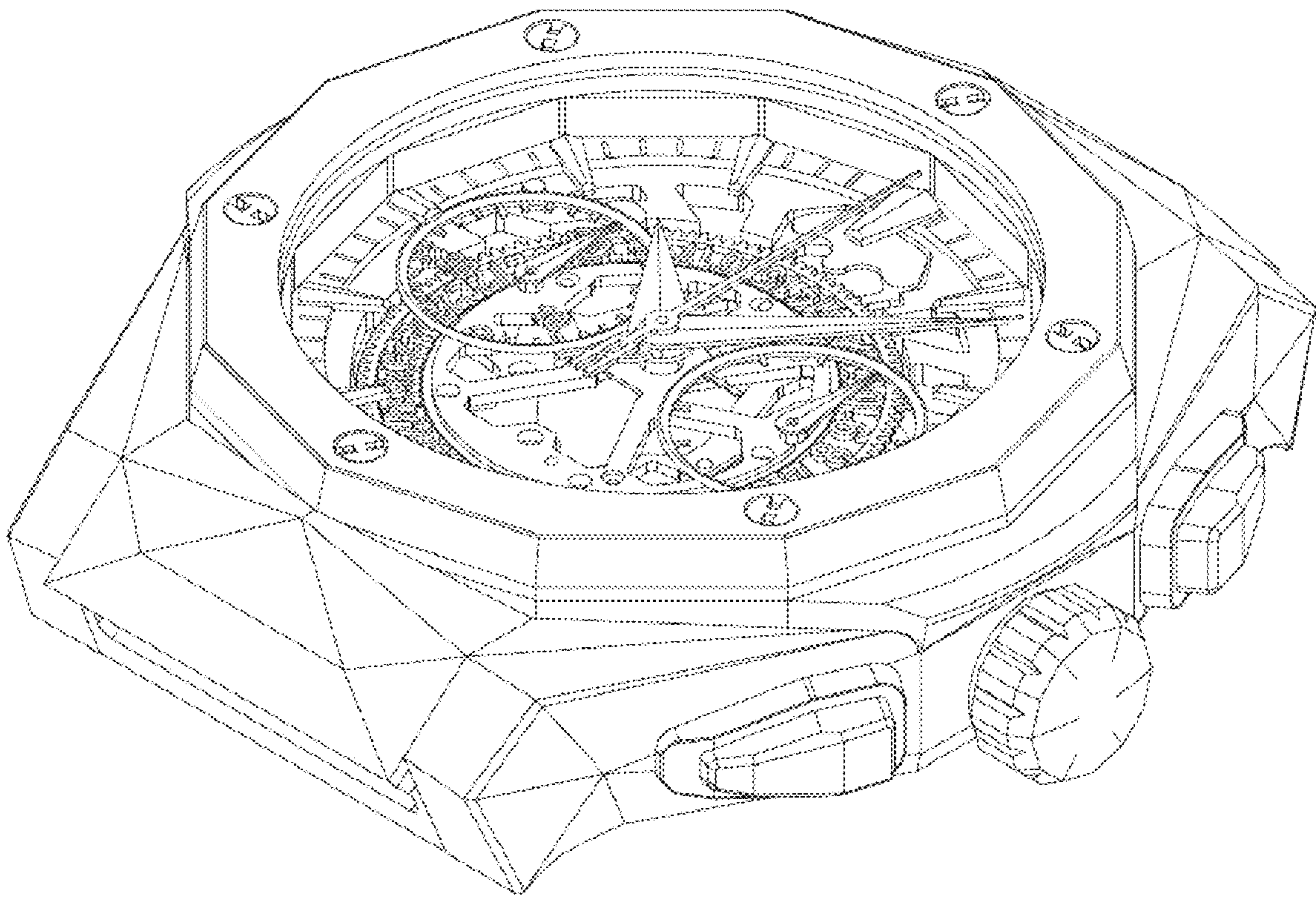


FIG. 1



FIG. 2

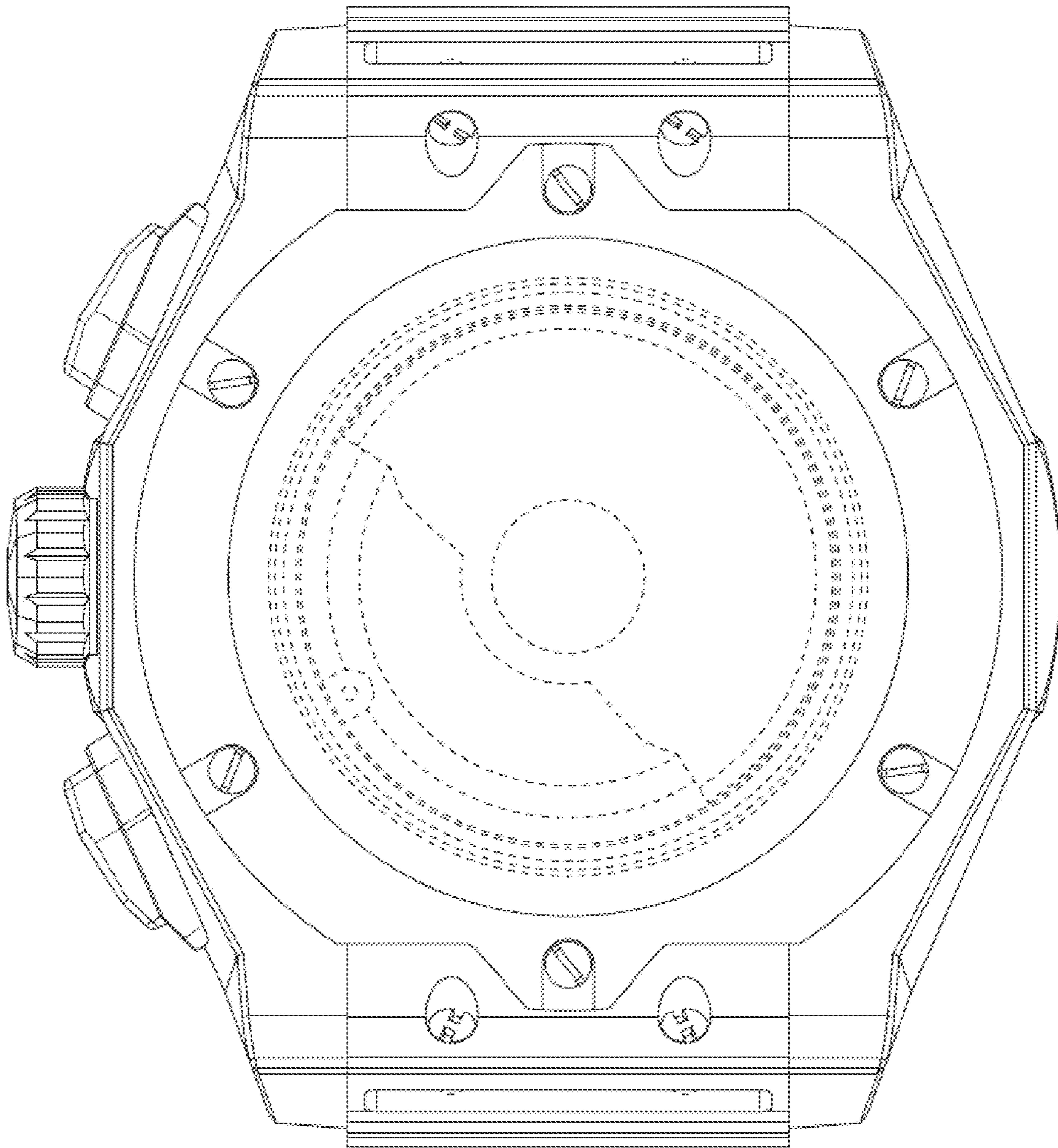


FIG. 3

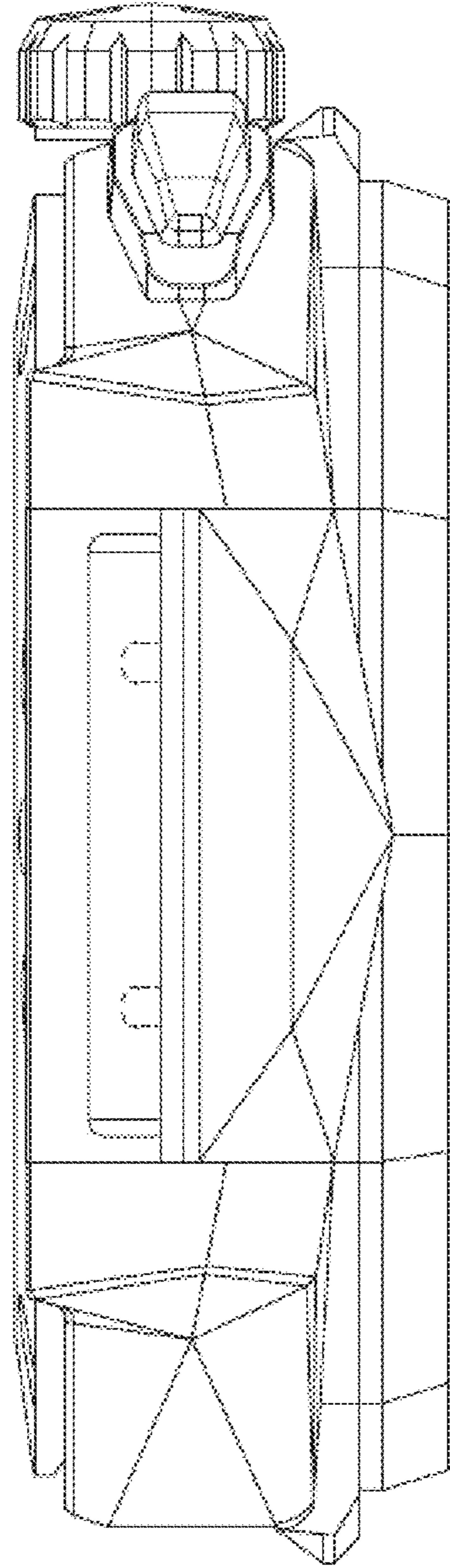


FIG. 4

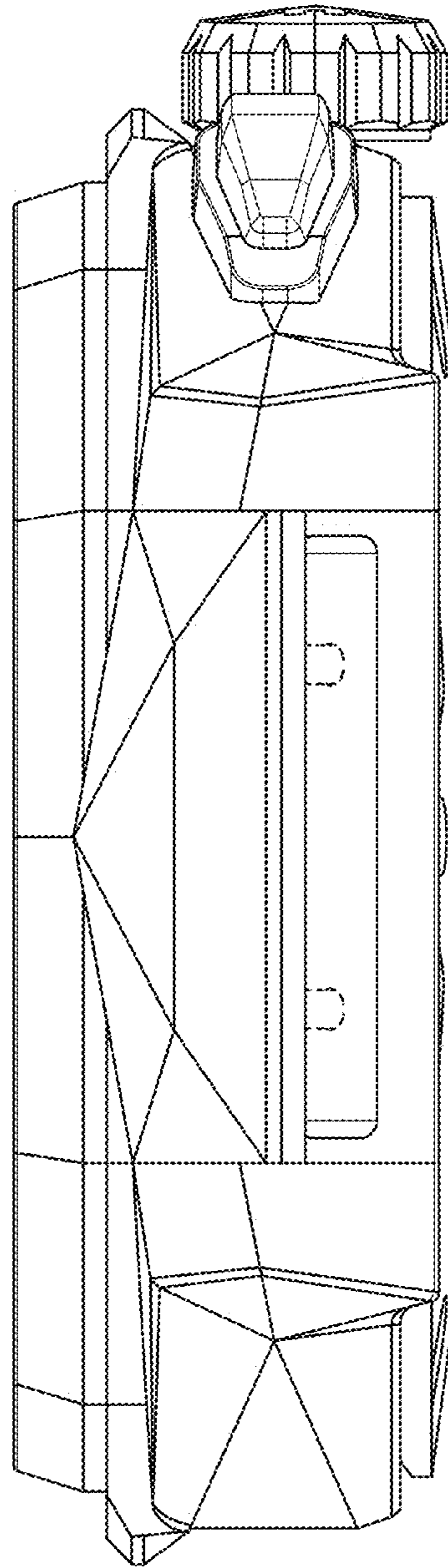


FIG. 5

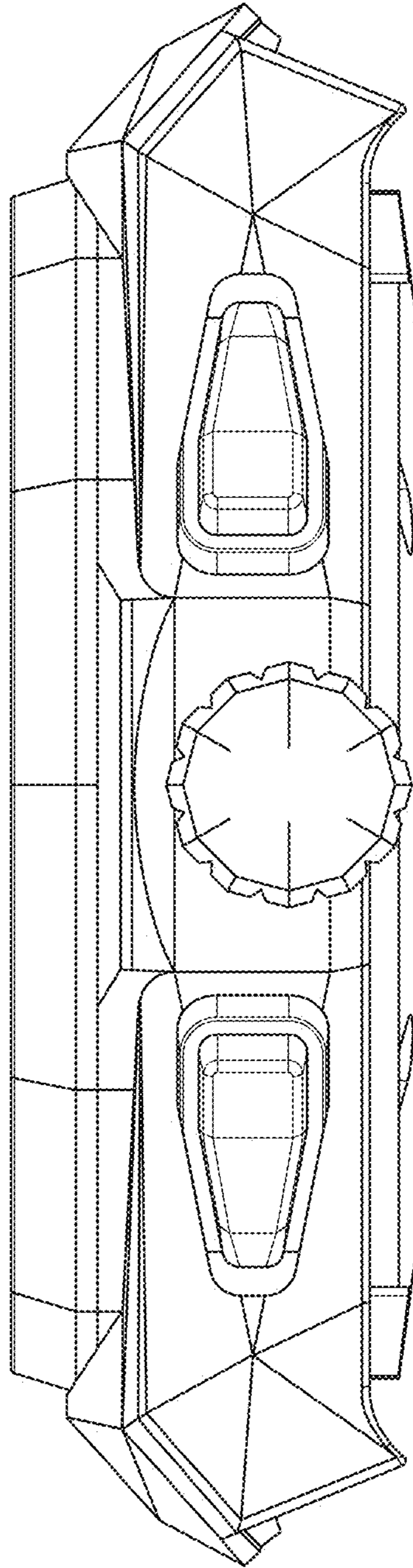


FIG. 6



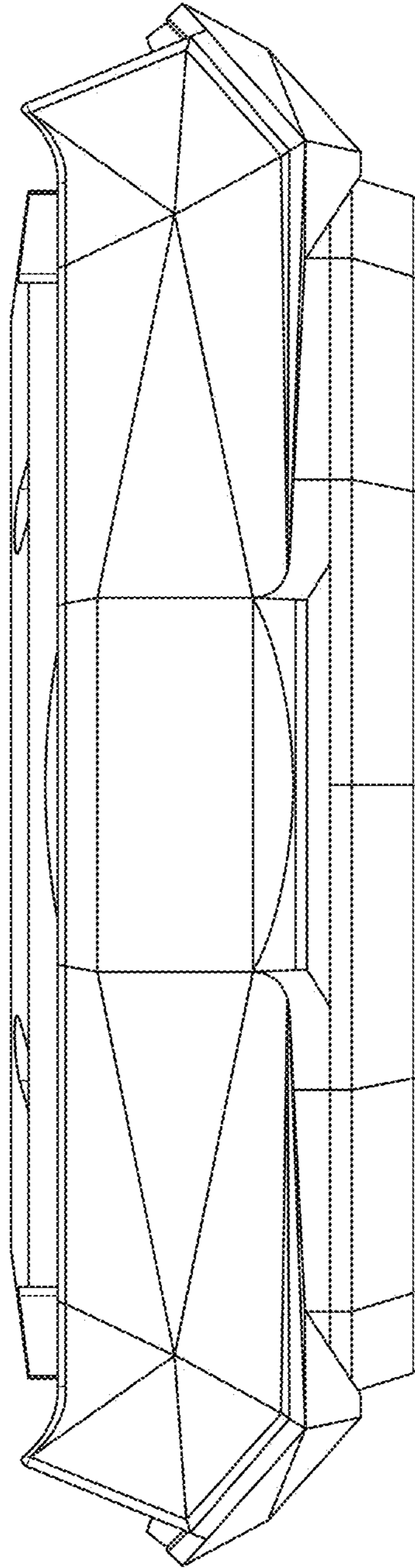


FIG. 7